

GROUP INDEX

AIR CONDITIONER & HEATER.....	162
BACK GLASS.....	177
CONSOLE.....	172
COOLING.....	
2.4 LITER.....	161
3.0 LITER.....	161
COWL.....	171
DOOR.....	176
ELECTRICAL.....	164
EMISSION SYSTEM.....	
2.4 LITER.....	168
3.0 LITER.....	168
ENGINE / TRANSAXLE.....	
2.4 LITER.....	165
3.0 LITER.....	166

EXHAUST SYSTEM.....	
2.4 LITER.....	167
3.0 LITER.....	167
FENDER.....	163
FRONT BUMPER.....	160
FRONT LAMPS.....	160
FRONT SUSPENSION.....	168
FUEL SYSTEM.....	178
GRILLE.....	160
HOOD.....	163
INFORMATION LABELS.....	160
INSTRUMENT PANEL.....	172
PAINT IDENTIFICATION.....	160
PILLARS, ROCKER & FLOOR.....	175

QUARTER PANEL.....	177
REAR BODY & FLOOR.....	179
REAR BUMPER.....	180
REAR LAMPS.....	180
REAR SUSPENSION.....	178
RESTRAINT SYSTEMS.....	173
ROOF.....	175
SEATS & TRACKS.....	173
STEERING COLUMN.....	170
STEERING GEAR & LINKAGE.....	170
STEERING WHEEL.....	171
TRUNK LID.....	180
UNDERHOOD DIAGRAM.....	163
WHEELS.....	168
WINDSHIELD.....	171

PAINT IDENTIFICATION

DR3NT01

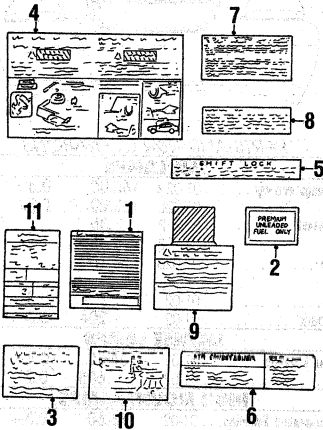
PAINT PROCESS

All colors are base coat/clear coat.

PAINT CODE IDENTIFICATION

Paint code located on dash panel in engine compartment.

INFORMATION LABELS



NT01000

OVERLAP OPERATIONS

Install all labels... 01-02 0.3

PARTS AND R&R OPERATIONS

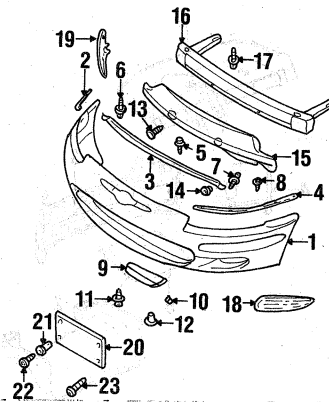
LABELS

Emission label				
2.4 liter.....01	3.35#	0.2	MR560 184	
02	1.25#	0.2	MR561 192	
3.0 liter.....01-02	3.35#	0.2	MR514 451	
2 Fuel label01-02	2.20#	0.2	MD351 518	
3 Caution label				
spark plug.....01-02	2.00#	0.2	MD325 016	
jack.....01-02	1.45#	0.2	MR369 739	
shift lock.....01-02	1.45#	0.2	MB580 890	
refrigerant.....01-02	.50#	0.2	MR513 120	
Air bag label				
information.....01-02	4.10#	0.2	MB891 604	
service warning.....01-02	1.95#	0.2	MB682 048	
child warning.....01-02	2.25#	0.2	MR390 964	
10 Info label				
service points				
2.4L.....01-02	4.45#	0.2	MD367 368	
3.0L.....01-02	4.45#	0.2	MD359 240	
tire pressure				
2.4L.....01-02	3.50#	0.2	MR510 183	
3.0L.....01-02	3.00#	0.2	MR510 184	

PARTS: Order by description. LABOR: Time is for application of first label. See OVERLAP OPERATIONS for multiple labels.

† LABOR: Time is for application of first label. See OVERLAP OPERATIONS for multiple labels.

FRONT BUMPER



NT01005

OVERHAUL OPERATIONS

O/H bumper assy... 01-02 2.3

R&I OPERATIONS

R&I bumper cover... 01-02 1.3

PARTS AND R&R OPERATIONS

BUMPER & COMPONENTS

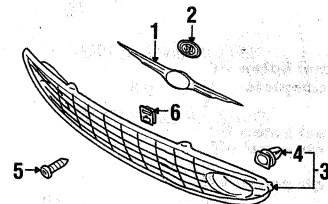
1 Bumper cover (p2.8) 01-02	279.00#	2.0	MR516 340	
2 pad01-02	.25#		MR478 208	
upper plate				
center.....01-02	6.60#		MR432 893	
side.....01-02R	15.70#		MR432 892	
01-02L	15.70#		MR432 891	
bolt				
#1.....01-02B	1.95		MU140 009	
#2.....01-02	1.45		MS240 123	
retainer clip				
#1.....01-02B	2.10		MB547 806	
#2.....01-02B	1.95		MB475 404	
9 cover01-02	3.35#		MR511 999	
10 lower plate01-02	6.45#		MR432 894	
clip				
type 1.....01-02	2.10		MB547 806	
type 2.....01-02	2.10		MB271 999	
type 3.....01-02B	0.35		MR557 942	
14 nut01-02B	1.35		MS440 502	
15 Cushion01-02	47.75#	2.1	MR462 385	
16 Reinforcement01-02	199.00#	2.3	MR557 941	
17 clip01-02	2.10		MU240 156	
18 Outer cover01-02R	2.45	0.1	MR463 928	
01-02L	2.45	0.1	MR463 927	
20 License panel01-02	20.45	0.2	MR432 896	
21 nut01-02B	.85		MU435 004	
22 bolt01-02B	1.75		MS350 014	
23 screw01-02	1.10		MS450 925	

LABOR: Time is for overhaul.

† LABOR: Included in overhaul time.

‡ LABOR: Included in bumper assembly R&I/R&R.

GRILLE



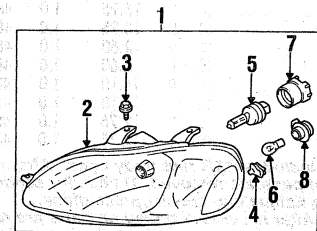
NT01010

PARTS AND R&R OPERATIONS

GRILLE & COMPONENTS

1 Emblem01-02	21.25	0.2	MR478 622	
2 Medallion01-02	7.75	0.2	MR478 623	
3 Grille				
w/o argent.....01-02	136.00	0.2=	MR566 040	
w/argent.....01-02	123.00	0.2=	MR416 000	
4 retainer01-02B	.60		MR492 120	
5 screw01-02	1.10		MS450 925	
6 nut01-02B	1.70		MB325 619	

FRONT LAMPS



NT01015

ADD IF REQUIRED

Aim headlamps.....01-02 0.4

R&I OPERATIONS

R&I headlamp assy
one side.....01-02B 0.3

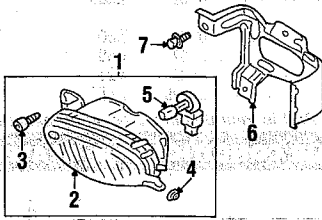
PARTS AND R&R OPERATIONS

HEADLAMP COMPONENTS

1 Headlamp assy01-02R	245.00#	0.3=	MR566 306	
01-02L	245.00#	0.3=	MR566 305	
2 Lens & housing01-02R	184.00#	0.3	MR442 090	
01-02L	184.00#	0.3	MR442 089	
3 bolt01-02B	1.75#		MS240 602	
4 grommet01-02B	1.10#		MR339 899	
Bulb				
headlamp.....01-02B	32.95#	0.2	MS820 973	
side marker.....01-02B	9.35#	0.2	MR570 418	
7 Socket cover01-02B	16.00#		MR570 420	
8 Socket01-02B	17.00#		MR570 419	

PARTS: Part is included in headlamp assembly.

† LABOR: Time is after front bumper is removed.



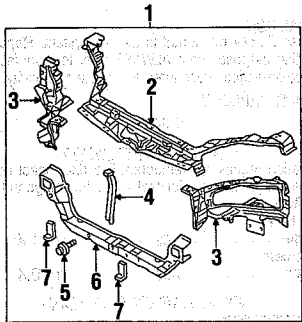
NT01020

FOG LAMPS

1 Fog lamp assy	01-02R	130.00	0.3=	MR566 310
	01-02L	130.00	0.3=	MR566 309
2 Lens & housing	01-02R	129.00#	0.3	MR442 350
	01-02L	129.00#	0.3	MR442 349
3 screw	01-02B	2.25#		MS200 352
4 nut	01-02B	3.35#		MU810 520
5 Bulb	01-02B	69.50#	0.2	MR551 253
6 Bracket	01-02R	19.85		MR339 864
	01-02L	19.85		MR339 863
7 screw	01-02B	1.70		MS240 141

PARTS: Part is included in fog lamp assembly.

**COOLING
2.4 LITER**



NT01025

ADD IF REQUIRED

R&R radiator support				
aim headlamps	01-02		0.4	
evacuate & recharge	01-02	m	1.4	
refrigerant recovery	01-02	m	0.4	

PARTS AND R&R OPERATIONS

RADIATOR SUPPORT

1 Support assy	(p.5) 01	309.00† s	8.0	MR535 271
	(p.5) 02	264.00† s	8.0	MR954 226
2 Upper tie bar	(p.5) 01-02	117.00† s	2.2	MR535 272
3 Side panel	(p.5) 01 R	55.00† s	2.5	MR535 274
	(p.5) 01 L	111.00† s	2.5	MR535 273
	(p.5) 02 R	55.00† s	2.5	MR535 274
	(p.5) 02 L	51.45† s	2.5	MR954 225
4 Center support	01-02	6.45#	0.5	MR535 276
5 bolt	01-02	1.10#		MF140 020
6 Lower tie bar	(p.5) 01-02	78.60† s	3.0	MR535 275
7 Bumper bracket	01-02	5.50#		MR344 536
8 Air duct	01-02	22.70	0.3	MR447 490
9 clip	01-02	1.35		MR328 954
10 Shield	01-02R	42.50	0.3	MR349 564
	01-02L	31.85	0.3	MR447 611
11 bolt	01-02	1.70#		MS240 615
12 plug	01-02	D3.10#		MB934 129

PARTS: Part is included in radiator support assembly.
 † LABOR: Time includes R&R of the radiator, AC condenser, both headlamp assemblies, hood latch, support rod, air filter body assembly, air inlet duct and D&R hood release cable and front wiring as necessary.
 ‡ PARTS: Part is included in radiator support assembly.
 † LABOR: After bumper, radiator and all necessary bolted on parts are removed.
 ‡ PARTS: Part is included in radiator support assembly.
 † LABOR: After bumper, fender, headlamp and all necessary bolted on parts are removed.

RADIATOR & COMPONENTS

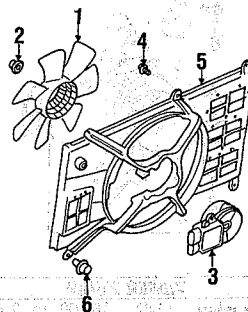
OVERLAP OPERATIONS
R&R radiator hose with radiator off

upper.....	01-02	m	0.2
lower.....	01-02	m	0.4

PARTS AND R&R OPERATIONS

1 Radiator	01-02	335.00	m 1.0=	MR431 144
manual trans.....	01-02	310.00	m 1.2=	MR373 103
auto trans.....	01-02	5.70		MR323 248
2 upper insulator	01-02	1.50		MS240 085
3 lower insulator	01-02	3.25		MB356 978
4 Drain plug	01-02	4.20#		MB597 892
5 o-ring	01-02	3.20#		MB007 701
6 Cap	01-02	14.35		MR481 267
7 Upper hose	01-02	10.70	m 0.5	MR355 522
8 Lower hose	01-02	45.20	m 0.7	MR355 523
9 clamp	01-02	1.50		MR404 538
10 bracket	01-02	4.95		MR481 767
11 Reservoir tank	01-02	23.50	0.3	MR212 510
12 mount bracket	01-02	2.25		MR212 544
13 bolt	01-02	1.70		MS240 095
14 Reservoir cap	01-02	9.50†	0.3	MR439 560
15 Coolant hose	01-02	3.25†	0.3	MR450 338
16 Overflow hose	01-02	15.75	0.3	MS600 623
17 Thermostat cover	01-02	27.85† m	0.7	MD321 707
18 bolt	01-02	1.60		MF140 025
19 Thermostat	01-02	36.45† m	0.7	MD328 070
20 Thermostat hsgng bolt	01-02	36.85		MD365 878
	01-02	1.20		MF140 230
Throttle hose				
#1.....	01-02	9.95		MD350 639
#2.....	01-02	6.00		MD354 405
15 Temp switch	01-02	14.50		46710 65
16 Temp sensor	01-02	40.85	m 0.4	MD182 467
17 Water outlet	01-02	21.25		MD326 766
18 bolt	01-02	1.25		MF140 026
19 Inlet pipe	01-02	63.35		MD359 568
20 o-ring	01-02	2.50		MD030 764
21 Inlet hose	01-02	22.70		MD354 406
Hose				
trans cooler.....	01-02	37.35	m 0.5	MR355 526
clamp				
#1.....	01-02	1.75		MR281 416
#2.....	01-02	1.95		MR373 490
bolt	01-02	1.70		MS240 141

PARTS: Part is included with radiator.
 † PARTS: Part is included with reservoir tank.
 ‡ LABOR: Time is for thermostat and/or cover.

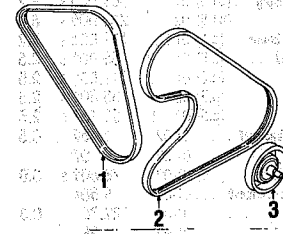


NT01035

COOLING FAN

1 Fan	01-02	25.10†	m 0.8=	MR373 109
2 nut	01-02	1.25		MB906 064
3 Motor	01-02	337.00†	m 0.8	MR481 726
4 bolt	01-02	1.25		MR431 306
5 Shroud	01-02	85.95†	m 0.8	MR373 149
6 mount bolt	01-02	1.60		MB605 073

† LABOR: Time is for overhaul.



NT01040

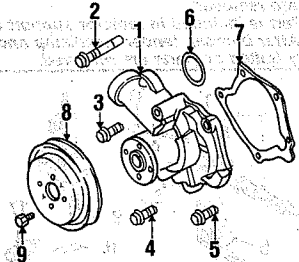
BELTS & PULLEYS

OVERLAP OPERATIONS

R&R all belts	01-02	m	0.5
--------------------------------	-------	---	-----

PARTS AND R&R OPERATIONS

1 Alternator belt	01-02	37.35	m 0.5	MD367 429
2 P/S belt	01-02	71.60	m 0.4	MD365 263
3 Tension pulley	01-02	73.10	m 0.6	MD362 028

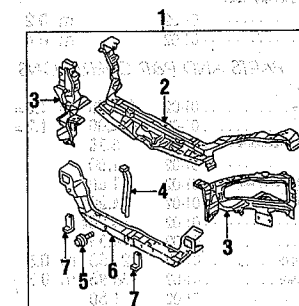


NT01045

WATER PUMP

1 Water pump assy	01-02	194.00	m 3.2	MD976 943
2 bolt	01-02	D		MF140 237
3 type 1	01-02	1.35		MF140 027
4 type 2	01-02	1.25		MF140 026
5 type 3	01-02	1.35		MF140 022
6 type 4	01-02	2.50		MD030 764
7 o-ring	01-02	4.75		MD188 352
8 gasket	01-02	19.85		MD371 390
9 Pulley	01-02	1.45		MF241 223

**COOLING
3.0 LITER**



NT01050

ADD IF REQUIRED

R&R radiator support				
aim headlamps	01-02		0.4	

CONTINUED

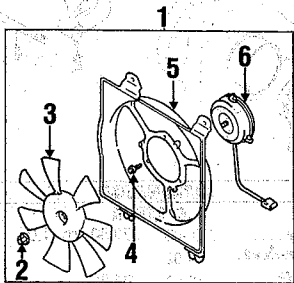
DR3 NT01

2001-02 CHRYSLER SEBRING COUP

‡ **LABOR:** Time includes R&I compressor.

† **PARTS:** Includes o-rings.

Ⓢ **PARTS:** Part serviced with outlet pipe.

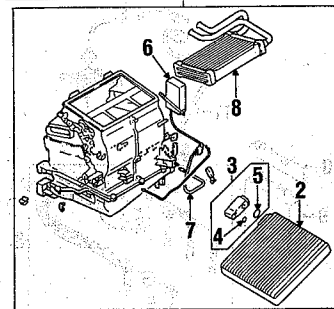
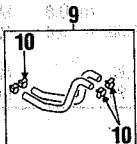


NT01080

CONDENSER FAN

1 Fan Assy			
2.4 liter	01-02	367.00 m 0.5=	MR513 360
3.0 liter	01-02	312.00 m 0.5=	MR315 303
2 nut 01-02 1.25# MB906 064			
3 Fan			
2.4 liter	01-02	38.85# m 1.4	MR568 194
3.0 liter	01-02	38.85# m 1.4	MR500 566
4 bolt 01-02 1.85# MB890 293			
5 Shroud 01-02 59.75# m 0.5 MR500 564			
6 Motor			
2.4 liter	01-02	195.00# m 1.4	MR568 193
3.0 liter	01-02	160.00# m 1.4	MR500 565

PARTS: Part included in fan assembly.



NT01085

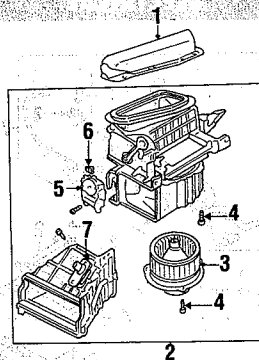
EVAPORATOR & HEATER COMPONENTS

1 Heater Assy			
2.4 liter	01-02	879.00 m 1.4	MR568 223
3.0 liter	01-02	912.00 m 1.4	MR568 224
2 Evaporator core 01-02 479.00# MR500 465			
3 Expansion valve o-ring 01-02 56.60# m 0.8 MR500 467			
4 small 01-02 3.10# MR117 055			
5 large 01-02 2.75# MR117 054			
6 Amplifier 01-02 73.35# MR513 349			
7 Thermistor 01-02 28.70# MR500 468			
8 Heater core 01-02 282.00# m 4.5 MR500 466			
9 Heater hose			
2.4 liter	01-02	36.50	MR439 545
3.0 liter	01-02	27.85	MR439 546
10 clamp 01-02 2.60 MU470 040			

PARTS: Part is included in heater assembly.

† **PARTS:** Part is included in heater assembly. Includes o-rings.

‡ **PARTS:** Part is included in heater assembly. **LABOR:** Time includes R&I instrument panel.



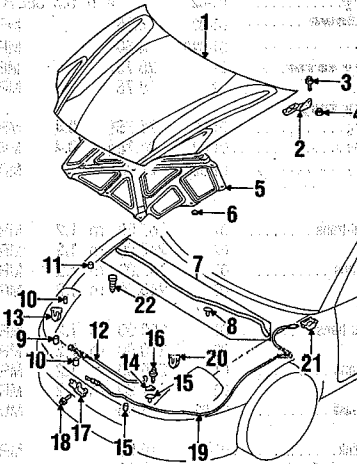
NT01090

BLOWER MOTOR & FAN

1 Heater duct 01-02 16.45 MR398 564			
2 Blower Assy 01-02 384.00 m 0.6 MR360 354			
3 Motor 01-02 260.00# MR500 469			
4 screw 01-02 1.75# MF205 004			
5 Heater control 01-02 91.10# MR460 374			
6 Holder 01-02 1.20# MR398 383			
7 Resistor 01-02 31.00# MR500 971			

PARTS: Part is included in blower assembly.

HOOD



NT01095

REFINISHING NOTES

Refn hood underside	01-02	p1.4
---------------------	-------	------

R&I OPERATIONS

R&I hood assy	01-02	0.6
---------------	-------	-----

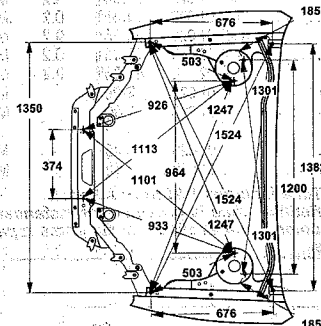
PARTS AND R&R OPERATIONS

HOOD & COMPONENTS

1 Hood (p.2.8) 01-02 439.00 1.0 MR535 728			
2 Hinge (p.3) 01-02R 39.20# 0.2 MR358 576			
3 bolt (p.3) 01-02L 39.20# 0.2 MR358 575			
3 bolt 01-02 1.95 MU240 140			
upper 01-02 1.50 MF243 650			
lower 01-02 1.35 MS440 503			
4 nut 01-02 1.35 MS440 503			
5 insulator 01-02 58.45 0.2 MR348 363			
6 clip 01-02 1.00 MU481 187			
7 weatherstrip 01-02 12.60 0.2 MR271 736			
8 clip 01-02 1.75 MR523 467			
Bumper			
9 front 01-02 3.20 0.1 MU720 002			
10 center 01-02 3.20 0.1 MB270 408			
11 rear 01-02 1.95 0.1 MR328 441			
12 Support rod 01-02 11.75 0.2 MR432 886			
13 clip 01-02 1.95 MB401 481			
14 plate 01-02 1.35 MR328 202			
15 bushing 01-02 1.45 MR288 266			
16 bolt 01-02 1.70 MS240 391			
17 Latch 01-02 26.75 0.4 MR287 311			
18 bolt 01-02 1.10 MF244 849			
19 Release cable 01-02 16.45 2.2 MR271 734			
20 clip 01-02 1.70 MU481 053			
21 Release handle 01-02 7.20 MR762 441			
22 screw 01-02 1.45 MS450 157			

LABOR: Time is after hood and cowl grille is removed.

UNDERHOOD DIAGRAM

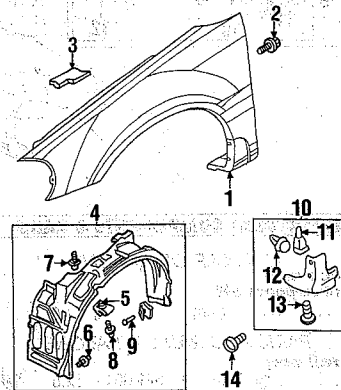


ZD30521

UNDER HOOD DIAGRAM
2001-02 SEBRING COUPE, 4 & 6 CYLINDER

Refer to MOTOR "COLLISION REPAIR DATA" manual for complete vehicle dimensions. All dimensions provided are in millimeters.

FENDER



NT01100

REFINISHING NOTES
Add for stone guard if required. See Guide to Estimating.

Refn fender edges 01-02 p.5

OVERLAP OPERATIONS

R&R fender assy with bumper off deduct	01-02	1.5
--	-------	-----

R&I OPERATIONS

R&I fender assy	01-02B	# 2.0
-----------------	--------	-------

PARTS AND R&R OPERATIONS

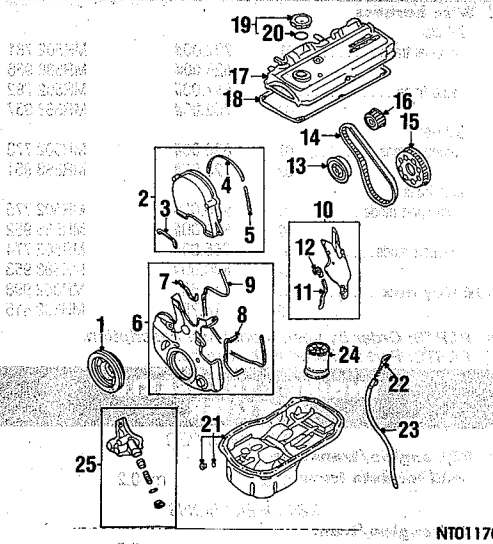
FENDER & COMPONENTS

1 Fender (p1.8) 01-02R 165.00# 2.6 MR535 736			
(p1.8) 01-02L 165.00# 2.6 MR535 735			
2 bolt 01-02 1.70 MS240 141			
3 Mount bracket			
hood bumper 01-02R 1.85 0.1 MR344 068			
01-02L 1.85 0.1 MR344 067			
4 Splash shield 01-02L 21.25 0.5 MR566 294			
01-02R 20.85 0.5 MR566 293			
5 grommet 01-02B 2.35 MR138 567			
6 clip 01-02B 2.10 MB547 806			
7 bolt 01-02B 1.85 MS100 238			
screw			
8 #1 01-02B 1.50 MS452 357			
#2 01-02 1.25 MS450 168			

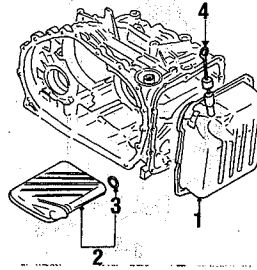
EXTERIOR TRIM

10 Lower molding			
beige	(p.3) 01 R	34.35# 0.2	MR612 012
	(p.3) 01 L	34.35# 0.2	MR612 004
	(p.3) 02 R	41.35# 0.2	MR637 920
	(p.3) 02 L	41.35# 0.2	MR637 918
black	(p.3) 01-02R	34.35# 0.2	MR612 006
	(p.3) 01-02L	34.35# 0.2	MR611 998
blue	(p.3) 01-02R	34.35# 0.2	MR612 008
	(p.3) 01-02L	34.35# 0.2	MR612 000
green	(p.3) 01-02R	34.35# 0.2	MR612 013
	(p.3) 01-02L	34.35# 0.2	MR612 005
red	(p.3) 01-02R	34.35# 0.2	MR612 007
	(p.3) 01-02L	34.35# 0.2	MR611 999
red pearlcoat	(p.3) 01-02R	34.35# 0.2	MR612 011
	(p.3) 01-02L	34.35# 0.2	MR612 003

CONTINUED



4 oil pump	01-02	44.35	MD135 005
nut	01-02	1.60	MD095 237
5 Adjuster	01-02	75.50	MD308 086
6 Tension pulley			
timing belt	01-02	34.25	MD182 537
7 Blade			
crank angle sensor	01-02	55.95	MD187 953



NT01180

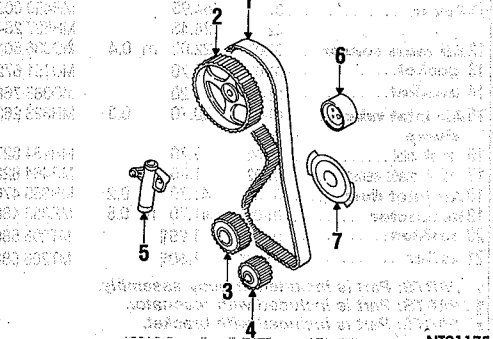
TRANSAXLE PARTS			
1 Trans pan	01-02	47.85	m 1.0 MD763 470
2 Filter	01-02	31.85	MD758 691
3 o-ring	01-02	1.75#	MD622 023
4 Dipstick	01-02	22.35	MR534 543

PARTS: Part included with filter.

ENGINE / TRANSAXLE 2.4 LITER (CONT)

ENGINE PARTS OUTER COMPONENTS			
1 Crnkshft pulley	01-02	159.00	m 1.0 MD376 056
bolt	01-02	8.25	MD131 259
washer	01-02	4.20	MD012 455
2 Upper cover	01-02	29.10#	m 0.4 MD324 731
gasket			
3 lower	01-02	3.95	MD310 601
4 upper	01-02	3.25	MD310 607
5 side	01-02	3.20	MD188 831
upper bracket	01-02	2.25	MD345 794
lower bracket	01-02	1.75	MD354 471
6 Lower cover	01-02	39.10#	m 1.3 MD363 100
gasket			
7 upper	01-02	3.95	MD310 600
8 lower	01-02	7.00	MD310 605
9 side	01-02	7.00	MD322 523
10 Inner cover	01-02	7.60#	MD330 008
gasket			
11 side	01-02	2.10	MD324 758
12 upper	01-02	1.00	MD324 759
Tension pulley			
13 balancer belt	01-02	41.25	MD352 473
Belt			
14 balancer	01-02	23.10	MD182 295
Sprocket			
15 front	01-02	43.45	MD187 277
16 rear	01-02	16.35	MD131 282
17 Valve cover	01-02	120.00	m 0.6 MD370 548
18 gasket	01-02	14.70	MD310 913
19 Filler cap	01-02	10.45	MD317 439
20 gasket	01-02	1.95	MD311 638
21 Oil pan	01-02	101.00	m 2.5 MD334 300
22 Dipstick	01-02	11.45	MD355 380
23 Tube	01-02	16.10	MD355 379
24 Oil filter	01-02	8.25	m 0.3 MD360 935
25 oil filter hang	01-02	57.75	MD310 609

PARTS: Includes gaskets.



NT01175

ENGINE & TRANS MOUNTING

1 Front bracket			
manual trans	01-02	46.00	m 0.8 MR272 203
auto trans	01-02	40.00	m 0.8 MR333 818
2 bolt	01-02	3.00	MF140 476
3 nut	01-02	2.00	MB288 462
4 Rear bracket			
manual trans	01-02	47.35	m 0.9 MR272 202
auto trans	01-02	47.35	m 0.9 MR272 204
5 bolt	01-02	8.10	MU159 007
6 nut	01-02	2.00	MB288 462
7 Mount bracket	01-02	116.00	m 1.0 MD339 196
8 Idler pulley	01-02	41.25#	MD156 604
9 Tension arm	01-02	22.25#	MD322 226
10 Mount stud	01-02	6.95#	MD186 035
11 Motor mount	01-02	69.45	m 1.0 MR272 199
12 stopper	01-02	6.95	MR369 990
13 bolt	01-02	7.60	MU100 027
14 Trans mount			
manual trans	01-02	62.10	m 1.1 MR272 217
auto trans	01-02	62.10	m 1.1 MR272 218
15 stopper	01-02	6.95	MR369 990
16 bolt	01-02	4.25	MS100 923
17 nut	01-02	1.75	MF434 106

PARTS: Part included in mount bracket assembly.

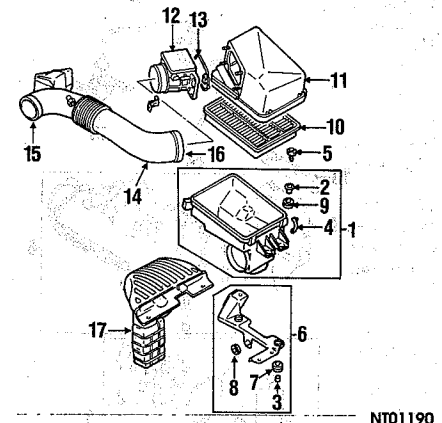
ENGINE / TRANSAXLE 3.0 LITER

ADD IF REQUIRED			
R&I engine/transaxle			
add for auto trans	01-02	m 0.2	
R&I OPERATIONS			
R&I engine/trans			
assy	01-02	m 5.8	

ENGINE PARTS INNER COMPONENTS

1 Timing belt	01-02	64.25	m 1.5 MD336 149
Sprocket			
2 camshaft	01-02	22.25	MD326 590
3 crankshaft	01-02	35.70	MD326 852

PARTS AND R&R OPERATIONS

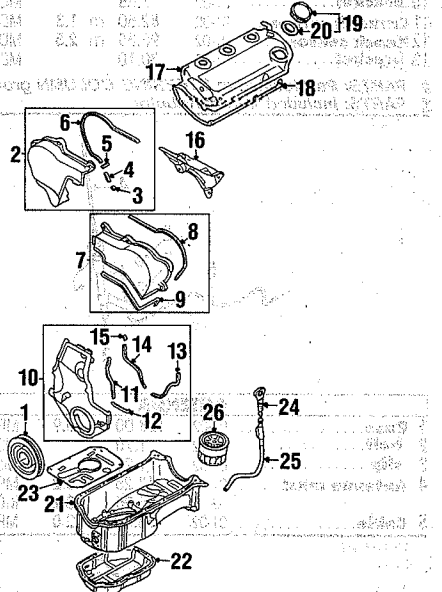


NT01190

AIR INTAKE

1 Body Assy	01-02	159.00	m 0.5	MR450 009
collar				
2 #1	01-02	19.85#		MR450 012
3 #2	01-02	.70		MR431 130
4 clip	01-02	3.60#		MD620 849
5 bolt	01-02	1.35		MD305 640
6 bracket	01-02	18.20		MR340 991
cushion				
7 #1	01-02	3.95		MD620 591
8 #2	01-02	.70		MR431 992
9 #3	01-02	19.35#		MR450 011
10 Element	01-02	32.25	m 0.2	MB906 051
11 Cover	01-02	64.95		MR450 007
12 Air mass sensor	01-02	422.00	m 0.4	MD336 501
13 gasket	01-02	8.70		MD151 672
14 Air inlet tube	01-02	56.95	0.3	MR323 265
clamp				
15 to air inlet	01-02	1.70		MR464 827
16 to air mass sensor	01-02	1.85		MR464 828
17 Air inlet duct	01-02	45.20	0.2	MR355 479

PARTS: Part is included in body assembly.



NT01195

ENGINE PARTS OUTER COMPONENTS

1 Crnkshft pulley	01-02	179.00	m 1.1	MD333 325
bolt	01-02	11.75		MD151 793
washer	01-02	2.85		MD096 930
2 Front cover	01	36.95#	m 1.0	MD325 434
02		26.45#	m 1.0	MD376 392
gasket				
3 #1	01-02	1.60		MD314 351
4 #2	01-02	.70		MD199 897
5 #3	01-02	1.75		MD302 525
6 #4	01-02	10.20		MD309 028
7 Rear cover	01	39.10#	m 0.4	MD347 530
02		25.60#	m 0.4	MD376 390
gasket				
8 upper	01-02	2.75		MD302 528

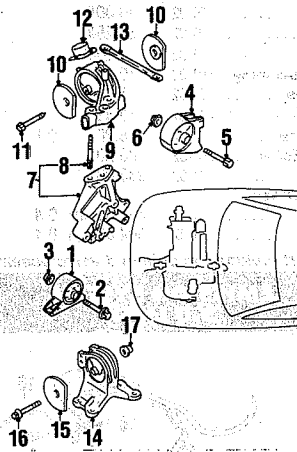
Please contact our Product Support Group if you require assistance locating, interpreting or using any information contained in the Estimating Data. Toll Free Number: 1-800-426-6867.

DR3 NT01

2001-02 CHRYSLER SEBRING COUP

9 lower	01-02	10.60		MD319 966
10 Lower cover gasket	01-02	39.10#	m 1.3	MD325 374
11 #1	01-02	5.50		MD199 979
12 #2	01-02	4.25		MD309 020
13 #3	01-02	6.85		MD319 971
14 #4	01-02	6.85		MD319 972
15 #5	01-02	1.75		MD302 525
16 Inner cover	01-02	25.60		MD317 322
17 Valve cover	01-02R	92.85	m 0.5	MD371 873
	01-02L	158.00	m 2.7	MD355 052
18 gasket	01-02B	15.25		MD303 148
19 Filler cap	01-02	10.45		MD317 439
20 gasket	01-02	1.95		MD311 638
Oil pan				
21 upper	01-02	135.00#	m 2.8	MD350 318
22 lower	01-02	18.75	m 1.0	MD320 639
23 Baffle	01-02	8.50		MD346 048
24 Dipstick	01-02	11.25		MD343 578
25 Tube	01-02	15.50		MD356 280
26 Oil filter	01-02	8.25	m 0.4	MD352 626
RTV sealer	01-02	5.20	m 0.4	43180 25

PARTS: Includes gasket.
 † LABOR: Time includes lower pan.

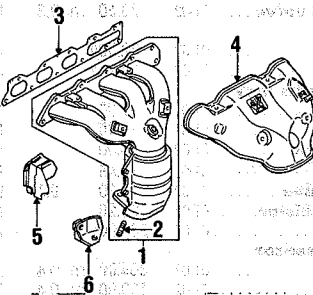


NT01210

ENGINE & TRANS MOUNTING

1 Front bracket	01-02	46.00	m 0.8	MR272 203
2 bolt	01-02	3.00		MF140 476
3 nut	01-02	2.00		MB288 462
4 Rear bracket				
manual trans	01-02	38.20	m 0.9	MR333 819
auto trans	01-02	36.10	m 0.9	MR272 206
5 bolt	01-02	8.10		MU159 007
6 nut	01-02	2.00		MB288 462
7 Mount bracket	01-02	112.00	m 1.0	MD321 517
8 stud	01-02	5.00		MD314 125
9 Motor mount	01-02	81.10	m 1.0	MR272 200
10 stopper	01-02	6.95		MR369 990
11 bolt	01-02	7.60		MU100 027
12 Dynamic damper	01-02	102.00		MR197 992
13 Stay	01-02	16.25		MD356 461
14 Trans mount				
manual trans	01-02	53.45	m 1.1	MR333 636
auto trans	01-02	51.20	m 1.1	MR272 219
15 stopper	01-02	6.95		MR369 990
16 bolt	01-02	4.25		MS100 923
17 nut	01-02	1.75		MF434 106

EXHAUST SYSTEM 2.4 LITER



NT01215

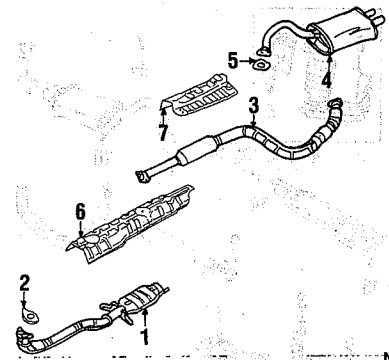
OVERLAP OPERATIONS

R&R exhaust system rearward of manifolds.....01-02 m 1.5

PARTS AND R&R OPERATIONS

EXHAUST MANIFOLD

1 Exhaust manifold	01	212.00	m 0.8	MR552 684
	02	795.00	m 0.8	MR597 478
2 stud	01-02B	4.00		MD014 195
3 gasket	01-02	21.10		MD181 032
4 shield	01-02	53.35		MR571 114
5 cover	01-02	8.00		MR552 683
6 bracket	01-02	10.75		MR529 335

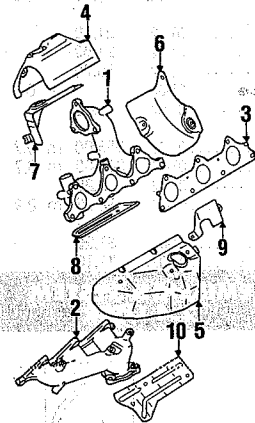


NT01220

EXHAUST COMPONENTS

1 Converter & pipe	01-02	707.00	m 1.1	MR552 251
2 gasket	01-02	4.10		MR323 617
3 Intermed pipe	01-02	364.00	m 0.9	MR431 953
4 Muffer & pipe	01-02	319.00	m 0.7	MR450 427
5 gasket	01-02	3.00		MR323 620
Heat shield				
6 front	01-02	81.25		MR447 468
7 rear	01-02	37.10		MB865 007

EXHAUST SYSTEM 3.0 LITER



NT01225

OVERLAP OPERATIONS

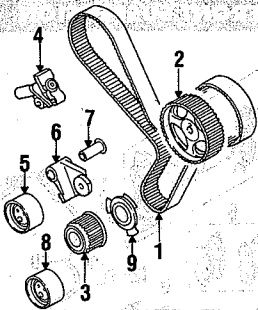
R&R exhaust system rearward of manifolds.....01-02 m 1.6

PARTS AND R&R OPERATIONS

EXHAUST MANIFOLD

1 Exhaust manifold	01-02R	177.00	m 2.3	MR481 816
	01-02L	164.00	m 1.3	MR481 815
2 gasket	01-02	12.75		MR281 721
cover				
4 outer	01-02R	38.75		MR529 470
	01-02L	36.60		MR450 053
6 inner	01-02	49.00		MR385 724
heat shield				
7 #1	01-02	7.85		MR431 122
8 #2	01-02	7.20		MR481 818
9 #3	01-02	7.20		MR481 817
10 #4	01-02	14.20		MR373 142

CONTINUED

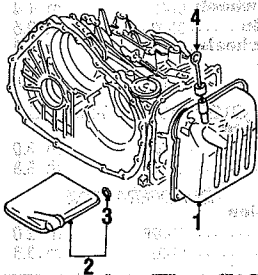


NT01200

ENGINE PARTS

INNER COMPONENTS

1 Timing belt	01-02	106.00	m 1.5	MD307 487
2 Sprocket				
camshaft	01-02	54.70		MD313 741
crankshaft	01-02	48.25		MD184 894
4 Belt tensioner	01-02	105.00		MD341 830
5 Tension pulley	01-02	38.20		MD140 071
6 Tension arm	01-02	31.75		MD309 275
7 shaft	01-02	27.45		MD145 168
8 Idler pulley	01-02	38.20		MD140 071
9 Blade				
crank angle sensor	01-02	6.60		MD184 901



NT01205

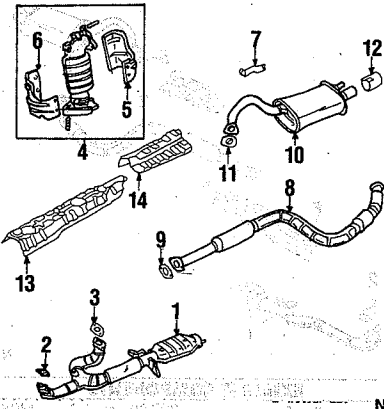
TRANSAXLE PARTS

1 Trans pan	01-02	47.85	m 1.0	MD763 469
2 Filter	01-02	39.20#		MR350 441
3 o-ring	01-02	1.75		MD622 023
4 Dipstick	01-02	39.20#		MR350 441
RTV sealer	01-02	5.20		43180 25

PARTS: Includes gasket.
 † PARTS: Includes o-ring.

2001-02 CHRYSLER SEBRING COUP

DR3 NT01

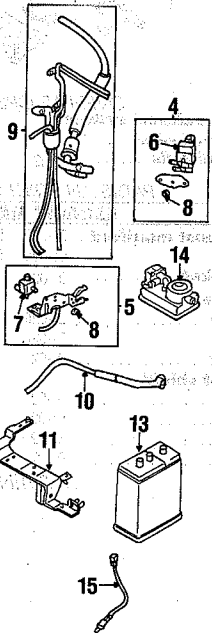


NT01230

EXHAUST SYSTEM 3.0 LITER (CONT)

EXHAUST COMPONENTS					
1	Front pipe gasket	01-02	852.00	m 1.0	MR281 020
2	gasket				
3	front	01-02	4.10		MR323 617
4	rear	01-02	7.45		MR323 619
4	Catalytic convtr				
	LX	01-02R	792.00	m 1.0	MR464 479
	LXi	01-02L	700.00	m 1.0	MR464 478
	LXi	01-02B	700.00	m 1.0	MR464 478
	protector				
5	front	01-02	21.10		MR431 714
6	rear	01-02	21.50		MR431 715
7	bracket	01-02	18.20		MR323 530
8	intermed pipe	01-02		m 0.9	NOT LISTED
9	gasket	01-02	4.10		MR323 617
10	Muffler				
	LX	01-02	355.00	m 0.7	MR450 428
	LXi	01-02	364.00	m 0.7	MR529 190
11	gasket	01-02	3.20		MR323 621
12	Diffuser	01-02	38.75	m 0.9	MR497 446
	Heat shield				
13	front	01-02	81.25		MR447 468
14	rear	01-02	37.10		MB865 007

EMISSION SYSTEM 2.4 LITER



NT01235

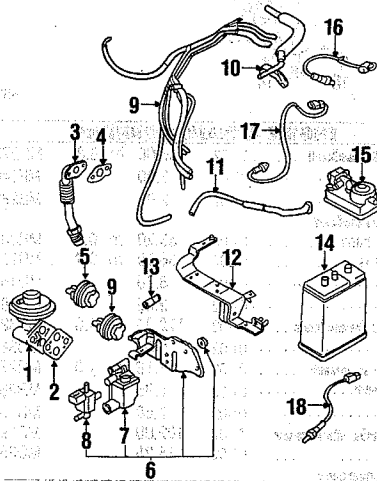
PARTS AND R&R OPERATIONS

EMISSION COMPONENTS					
1	EGR valve	01-02	70.50	m 0.7	MD353 689
2	gasket	01-02	1.85		MD358 490
3	Valve				
	emission control	01-02	29.70		MR126 976
	Solenoid valve				
4	#1	01-02	40.00	m 0.3	MR340 922
5	#2	01-02	40.00	m 0.3	MR340 923

6	Valve				
	#1	01-02	40.00#		MR323 900
7	#2	01-02	32.25#		MR127 520
8	nut	01-02	1.20#		MR434 103
9	Hose & tube assy	01-02	19.60		MR431 591
10	Vapor hose	01-02	15.00		MR312 131
11	bracket	01-02	13.45		MR481 428
12	Check valve	01-02	6.20	0.1	MR386 483
13	Vapor canister	01-02	83.20		MR281 041
14	Filter	01-02	235.00		MR552 720
	Oxygen sensor				
15	#1	01-02	304.00	m 0.4	MR560 364
16	#2	01-02	304.00	m 0.4	MR560 365

PARTS: Part included in solenoid valve assembly.

EMISSION SYSTEM 3.0 LITER



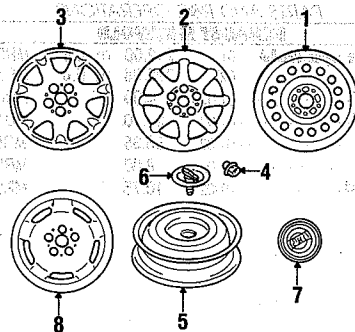
NT01240

PARTS AND R&R OPERATIONS

EMISSION COMPONENTS					
1	EGR valve	01-02	98.50	m 1.0	MD199 283
2	gasket	01-02	2.35		MD119 127
3	EGR pipe	01-02	102.00		MR340 276
4	gasket	01-02	5.85		MD149 764
5	Valve				
	emission control	01-02	29.70		MR126 976
6	Solenoid valve	01-02	73.60	m 0.3	MD367 540
	Valve				
7	#1	01-02	72.50#		MD367 541
8	#2	01-02	32.25#		MR127 520
	Hose & tube assy				
9	#1	01-02	51.00		MD367 536
10	#2	01-02	25.20		MD367 538
11	Vapor hose	01-02	15.00		MR312 131
12	bracket	01-02	13.45		MR481 428
13	Check valve	01-02	6.20	0.1	MR386 483
14	Vapor canister	01-02	83.20		MR281 041
15	Filter	01-02	235.00		MR552 720
	Oxygen sensor				
16	#1	01-02	304.00	m 0.4	MD354 851
17	#2	01-02	130.00	m 0.4	MD345 230
18	#3	01-02	304.00	m 0.4	MD354 850

PARTS: Part included in solenoid valve assembly.

WHEELS



NT01245

R&I OPERATIONS		
R&I wheel	01-02	m 0.1

PARTS AND R&R OPERATIONS

WHEELS

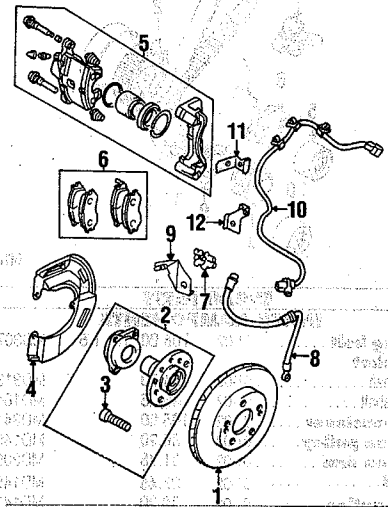
1	Wheel, steel				
	16 inch	01-02	111.00#	m 0.3	MB929 941
	Wheel, alloy				
	16 inch				
	LX	01-02	237.00#	m 0.3	MR619 293
	LXi	01-02	234.00#	m 0.3	MR619 294
3	17 inch				
	chrome	01-02	759.00#	m 0.3	MR455 151
	silver	01-02	272.00#	m 0.3	MR619 295
4	Wheel nut				
	chrome	01-02	1.70		MB149 970
	silver	01-02	2.85		MB579 290
5	Wheel, spare				
	15 inch	01	60.95		MB540 245
	16 inch	01	115.00		MB949 943
	all	02	63.35		MR589 310
6	clamp				
	01		6.60		MB910 914
	02		5.50		MR594 746

COVERS & TRIM

7	Center cap	01-02	14.25		MR455 160
8	Wheel cover				
	16 inch	01-02	41.25		MR619 297

LABOR: Add for balance, weights and valve stem.

FRONT SUSPENSION



NT01250

ADD IF REQUIRED

Wheel alignment				
align front wheels	01-02		m 1.4	
adjust toe-in	01-02		m 0.6	
align four wheels	01-02		m 2.0	
Bleed brake system	01-02		m 0.5	

OVERHAUL OPERATIONS

O/H suspension				
one side	01-02B		m 3.0	
both sides	01-02		m 5.8	

R&I OPERATIONS

R&i suspension				
one side	01-02B		m 2.0	
both sides	01-02		m 3.8	

PARTS AND R&R OPERATIONS

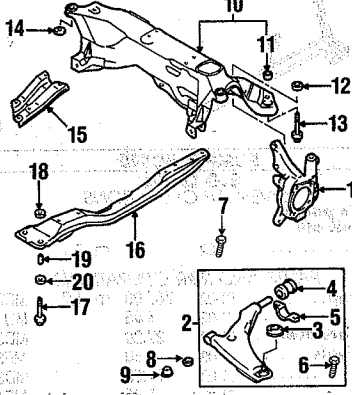
BRAKE COMPONENTS

1	Brake rotor				
	2.4 liter, 14 inch				
	w/o ABS	01 B	91.00	m 0.6	MR389 723
		02 B	150.00	m 0.6	MR955 126
	w/ABS	01 B	106.00	m 0.6	MR389 724
		02 B	83.95	m 0.6	MR955 127
	3.0 liter, 15 inch				
	w/o ABS	01-02B	102.00	m 0.6	MR493 550
	w/ABS	01-02B	159.00	m 0.6	MR493 551
2	Hub assy	01-02B	152.00	m 1.1	MR403 970
3	Stud	01-02B	2.85#		MB911 495
4	Splash shield				
	01-02R	6.10#	m 0.3	MR370 862	
	01-02L	6.10#	m 0.3	MR370 861	
5	Caliper				
	2.4L	01-02R	329.00	m 0.7	MR449 856
		01-02L	329.00	m 0.7	MR449 855
	3.0L	01-02R	334.00	m 0.7	MR527 671
		01-02L	334.00	m 0.7	MR527 670
6	Brake pads				
	2.4L	01-02B	122.00		MR493 984
		02 B	102.00		MR569 588
	3.0L	01-02B	101.00		MR527 674

Please contact our Product Support Group if you require assistance locating, interpreting or using any information contained in the Estimating Data. Toll Free Number: 1-800-426-6867.

7 Valve proportioning			
w/o ABS	01-02	54.45	MB699 551
w/ABS	01-02	92.85	MB699 554
8 Brake hose			
	01-02B	30.95	m 0.8 MR249 972
9 bracket			
	01-02R	7.20	MR289 904
	01-02L	7.20	MR289 903
10 ABS sensor			
	01-02R	272.00	m 1.2 MR370 933
	01-02L	272.00	m 1.2 MR370 932
clip			
11 upper	01-02B	3.20	MR289 902
12 lower	01-02R	3.20	MR289 901
	01-02L	3.20	MR289 900

PARTS: Part included in hub assembly.
 † LABOR: After brake disc is removed.



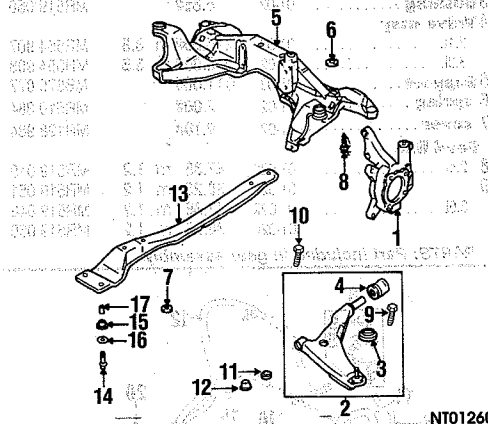
NT01255

SUSPENSION COMPONENTS
2.4 LITER

1 Steering knuckle			
w/o ABS	01-02R	165.00	m 1.3 MR369 820
	01-02L	165.00	m 1.3 MR369 819
w/ABS	01-02R	165.00	m 1.3 MR369 822
	01-02L	165.00	m 1.3 MR369 821
2 Lower cntrl arm			
	01 R	137.00	m 0.8 MR455 738
	02 L	137.00	m 0.8 MR455 737
	02 R	140.00	m 0.8 MR554 376
	02 L	140.00	m 0.8 MR554 375
3 Cover			
ball joint	01-02B	8.20†	MR369 807
4 Bushing			
	01 B	10.45†	MR455 736
	02 R	50.10†	MR554 382
	02 L	50.10†	MR554 381
5 bracket			
	01 R	9.70	MR297 477
	01 L	9.70	MR297 476
	02 B		NOT USED
bolt			
6 short	01-02	1.45	MF140 281
7 long	01-02	7.25	MB242 334
8 washer			
	01-02	1.45	MB910 822
9 nut			
	01-02	1.50	MU430 003
10 Susp crossmember			
	01	552.00	s 5.0 MR333 609
	02	300.00	s 5.0 MR554 604
11 bushing			
center	01-02	14.50‡	MB870 742
outer	01-02	14.75‡	MB871 921
inner	01-02	6.25‡	MB949 518
12 stopper			
	01-02R	3.60	MB910 170
	01-02L	1.75	MB910 464
13 bolt			
	01-02	7.50	MR198 095
14 mount plate			
	01-02R	3.75	MB303 625
	01-02L	3.75	MB303 624
15 stay			
	01-02R	36.45	MR297 605
	01-02L	36.45	MR297 606
16 Center c'member			
	01-02	225.00	1.0 MR403 010
17 bolt			
front	01-02	4.75	MB518 942
rear	01-02	2.75	MU240 023
18 bushing			
	01-02	1.70	MR311 113
19 collar			
	01-02	5.70	MB303 651
20 bumper			
	01-02	2.85	MB303 652

† PARTS: Part included with lower control arm.

‡ PARTS: Part included with suspension crossmember.

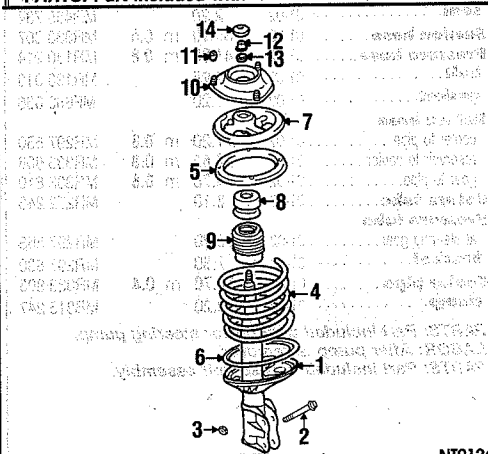


NT01260

SUSPENSION COMPONENTS
3.0 LITER

1 Steering knuckle			
w/o ABS	01-02R	165.00	m 1.3 MR369 820
	01-02L	165.00	m 1.3 MR369 819
w/ABS	01-02R	165.00	m 1.3 MR369 822
	01-02L	165.00	m 1.3 MR369 821
2 Lower cntrl arm			
	01-02R	264.00	m 0.8 MR369 796
	01-02L	264.00	m 0.8 MR369 795
3 Cover			
ball joint	01-02B	8.20†	MR369 807
4 Bushing			
	01-02R	34.75†	MR333 712
	01-02L	34.75†	MR333 711
5 Susp crossmember			
	01-02	552.00	s 5.0 MR455 187
6 bushing			
#1	01-02	1.75	MB910 464
#2	01-02	3.60	MB910 170
7 mount plate			
#1	01-02	3.75	MB303 625
#2	01-02	3.75	MB303 624
bolt			
8 #1	01-02	7.50	MR198 095
9 #2	01-02	1.45	MF140 281
10 #3	01-02	3.45	MB109 478
11 washer			
	01-02	1.45	MB910 822
12 nut			
	01-02	1.75	MU431 503
13 Center c'member			
	01-02	190.00	1.0 MR272 182
14 bolt			
front	01-02	4.75	MB518 942
rear	01-02	1.45	MR223 467
15 bushing			
	01-02	1.70	MR311 113
16 bumper			
	01-02	2.85	MB303 652
17 collar			
	01-02	5.70	MB303 651

† PARTS: Part included with lower control arm.



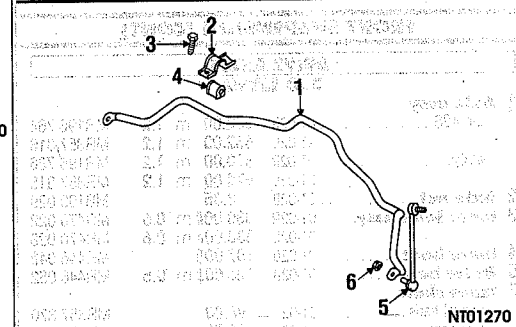
NT01265

STRUTS & COMPONENTS

1 Strut			
2.4 liter	01 R	106.00	m 1.2 MR455 120
	01 L	106.00	m 1.2 MR455 119
	02 R	88.70	m 1.2 MR594 680
	02 L	88.70	m 1.2 MR594 679
3.0 liter	01-02R	106.00	m 1.2 MR455 122
	01-02L	106.00	m 1.2 MR455 121
2 bolt			
	01-02	5.45	MR333 558
3 nut			
	01-02	7.95	MR333 562
4 Spring			
2.4 liter	01-02B	47.25#	m 1.2 MR455 126
manual trans	01-02B	48.10#	m 1.2 MR455 127

3.0 liter	01-02B	49.00#	m 1.2 MR455 128
auto trans	01-02B	48.10#	m 1.2 MR455 127
5 upper insulator			
	01-02B	12.95	MR316 365
6 lower insulator			
	01-02B	6.20	MB430 939
7 Upper seat			
	01-02B	23.85	MR455 746
8 Damper			
	01-02B	15.95	MB349 347
9 Boot			
	01-02B	10.50	MB349 346
10 Strut mount			
	01-02B	51.10	MR297 465
11 nut			
	01-02B	1.70	MF434 105
12 Top nut			
	01-02B	2.50	MS440 003
13 Washer			
	01-02B	1.75	MA150 669
14 Top cap			
	01-02B	2.50	MR316 338

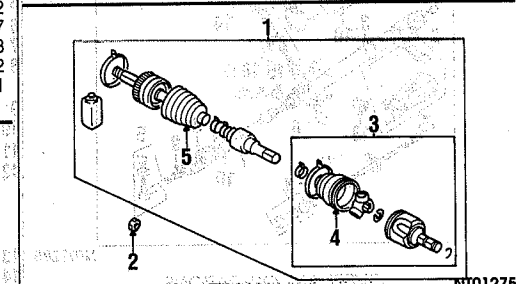
PARTS: Order by description.



NT01270

STABILIZER BAR & COMPONENTS

1 Stabilizer bar			
2.4L	01-02	70.20	m 1.4 MR333 616
3.0L	01-02	70.20	m 1.4 MR333 618
2 bracket			
2.4L	01-02R	6.00	MR316 946
	01-02L	6.00	MR316 945
3.0L	01-02B	3.70	MR297 473
3 bolt			
2.4L	01-02B	1.25	MF241 279
3.0L	01-02B	1.95	MF140 259
4 bushing			
2.4L	01-02B	3.50	MR333 622
3.0L	01-02B	3.50	MR333 624
5 Link			
	01-02R	56.35	m 0.5 MR333 763
	01-02L	56.35	m 0.5 MR297 333
6 nut			
	01-02B	1.10	MS440 504



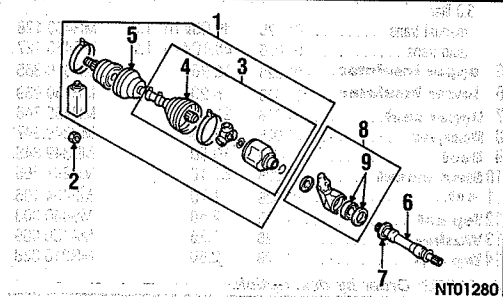
NT01275

DRIVE AXLES
2.4 LITER

1 Axle assy			
manual trans	01-02R	985.00	m 1.2 MR410 042
w/o ABS	01-02L	759.00	m 1.2 MR410 041
w/ABS	01-02R	364.00	m 1.2 MR410 044
	01-02L	347.00	m 1.2 MR410 043
auto trans	01-02R	717.00	m 1.2 MR196 738
w/o ABS	01-02L	657.00	m 1.2 MR357 809
w/ABS	01-02R	717.00	m 1.2 MR196 740
	01-02L	717.00	m 1.2 MR357 811
2 Axle nut			
	01-02B	3.35	MB109 029
3 Inner joint assy			
	01-02B	289.00#	m 0.6 MR470 021
4 Inner boot			
	01-02B	97.70#	m 0.6 MR446 048
5 Outer boot			
manual trans	01-02B	†	m 0.5 NOT LISTED
auto trans	01-02B	127.00#	m 0.5 MR446 051

PARTS: Part included in axle assembly. LABOR: Time is after axle is removed.
 † PARTS: Part included with inner joint.
 ‡ PARTS: Part included in axle assembly. LABOR: Time is after axle is removed.

CONTINUED



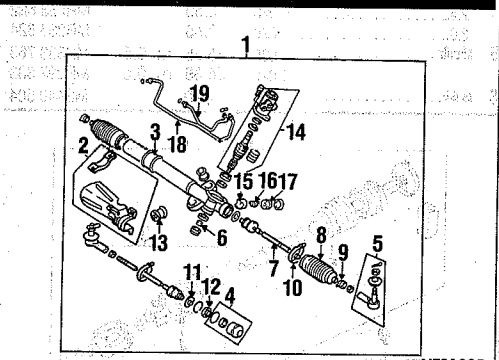
FRONT SUSPENSION (CONT)

**DRIVE AXLES
3.0 LITER**

1 Axle assy			
w/o ABS	01-02R	632.00 m 1.2	MR196 764
	01-02L	632.00 m 1.2	MR357 813
w/ABS	01-02R	670.00 m 1.2	MR196 766
	01-02L	674.00 m 1.2	MR357 815
2 Axle nut			
	01-02B	3.35	MB109 029
3 Inner joint assy			
	01-02R	330.00# m 0.6	MR470 022
	01-02L	330.00# m 0.6	MR470 023
4 Inner boot			
	01-02B	107.00#	MR446 049
5 Outer boot			
	01-02B	126.00# m 0.5	MR446 052
6 Inner shaft			
manual trans	01-02	96.00	MR357 370
auto trans	01-02	98.50	MR276 837
7 cover			
outer	01-02	2.50	MB526 617
inner	01-02	2.00	MR145 574
8 Bearing assy			
	01-02	132.00	MR470 020
9 Bearing			
	01-02	61.10#	MR388 567

PARTS: Part included in axle assembly. LABOR: Time is after axle is removed.
 † PARTS: Part included with inner joint.
 ‡ PARTS: Part included in axle assembly. After axle is removed.
 †† PARTS: Part included in bearing assembly.

STEERING GEAR & LINKAGE



OVERHAUL OPERATIONS
O/H steering gear 01-02 m 4.5

R&I OPERATIONS
R&I steering gear 01-02 m 3.2

PARTS AND R&R OPERATIONS

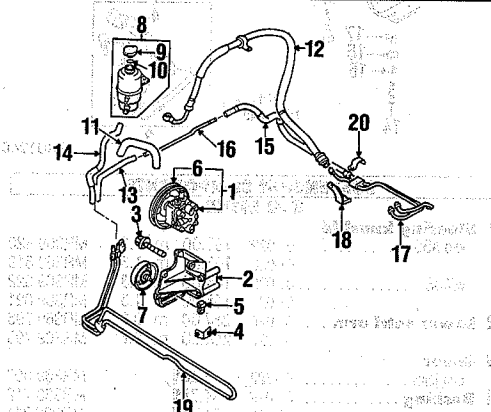
STEERING GEAR & LINKAGE

1 Gear assy			
2.4L	01-02	699.00 m 3.2	MR510 121
	02	567.00 m 3.2	MR589 197
3.0L	01-02	689.00 m 3.2	MR510 120
2 bracket			
2.4L	01-02	4.25	MB911 691
3.0L	01-02	12.35	MR554 707
3 insulator			
2.4L	01-02	9.45	MR491 988
3.0L	01-02	9.45	MR491 123
4 bushing			
	01-02	31.45	MR519 041
5 Seal kit			
	01-02	76.85	MR519 058
Rack			
2.4L	01-02	229.00 m 4.5	MR519 037
3.0L	01-02	77.75 m 4.5	MR519 363
6 Outer tie rod			
	01-02B	36.00# m 0.5	MR508 650
7 lock nut			
	01-02B	2.25#	MR198 980
8 Inner tie rod			
	01-02B	55.00#	MR519 046
9 Boot clamp			
outer	01-02B	2.25#	MR519 055
inner	01-02B	5.00#	MR519 054
10 Washer			
	01-02B	4.45#	MR519 045
11 Stopper			
	01-02	8.50#	MR519 042

PARTS: Part included with power steering pump.
 † PARTS: Part included in reservoir assembly.

13 Bushing	01-02	5.85#	MR519 056
14 Valve assy			
2.4L	01-02	215.00# m 3.5	MR554 907
3.0L	01-02	215.00# m 3.5	MR554 908
15 Support			
	01-02	D11.00#	MR870 077
16 spring			
	01-02	2.00#	MR510 384
17 cover			
	01-02	9.10#	MR198 984
Feed line			
2.4L	01-02R	47.35 m 1.2	MR519 049
	01-02L	38.25 m 1.2	MR519 051
3.0L	01-02R	47.35 m 1.2	MR519 048
	01-02L	38.25 m 1.2	MR519 050

PARTS: Part included in gear assembly.



**PUMP & HOSES
2.4 LITER
OVERLAP OPERATIONS**

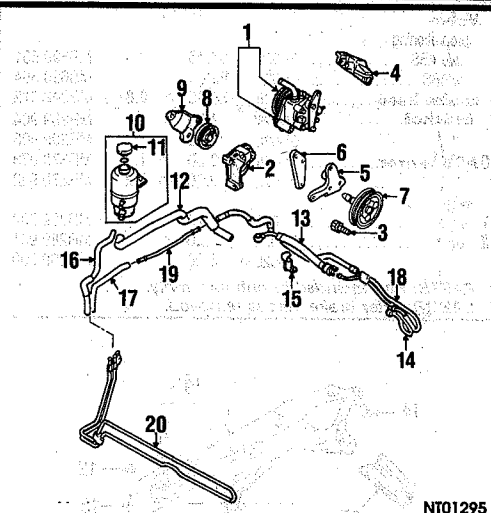
R&R p/s pump with belt off

deduct 01-02 m 0.1

PARTS AND R&R OPERATIONS

1 P/S pump	01-02	247.00 m 1.3	MR512 729
2 mount bracket	01-02	154.00	MD368 545
3 mount bolt	01-02	2.20	MF140 271
4 adjust bolt	01-02	7.20	MD362 677
5 bracket	01-02	2.45	MD345 394
6 nut	01-02	0.85	MD318 871
7 Pump pulley	01-02	72.20# m 0.2	MR519 366
8 Tension pulley	01-02	73.10	MD362 028
9 Reservoir assy	01-02	58.85 m 0.6	MR333 196
10 Reservoir cap	01-02	1.50	MS240 146
11 seal	01-02	2.20	MR455 734
12 Suction hose	01-02	30.10 m 0.5	MR333 807
13 Pressure hose	01-02	141.00 m 0.8	MR130 914
14 bolt	01-02	2.95	MR130 013
15 gasket	01-02	1.20	MF660 066
Return hose			
cooler to pipe	01-02	17.20 m 0.8	MR297 550
reservoir to cooler	01-02	27.60 m 0.8	MR333 806
16 gear to pipe	01-02	74.75 m 0.8	MR333 810
17 Return tube	01-02	8.10	MR272 243
18 Pressure tube			
at steering gear	01-02	13.20	MR297 553
19 bracket	01-02	7.50	MR297 630
20 Cooler pipe	01-02	50.70 m 0.4	MR333 805
21 clamp	01-02	2.20	MB315 247

PARTS: Part included with power steering pump.
 † PARTS: Part included in reservoir assembly.



**PUMP & HOSES
3.0 LITER
OVERLAP OPERATIONS**

R&R p/s pump with belt off

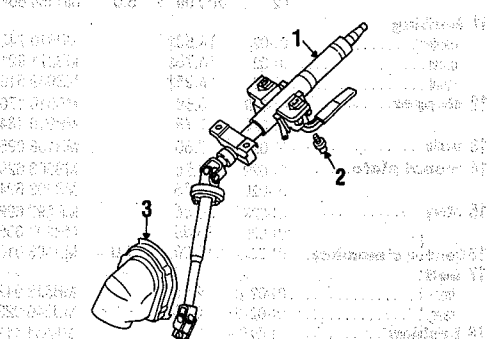
deduct 01-02 m 0.1

PARTS AND R&R OPERATIONS

1 P/S pump	01-02	767.00 m 1.7	MR333 535
2 bolt	01-02	4.45	MU100 016
3 mount bracket	01-02	27.20	MD318 634
4 mount bolt	01-02	1.60	MF300 848
5 stay	01-02	21.50	MD318 356
6 stud	01-02	1.45	MF402 585
7 bolt	01-02	3.20	MF244 890
support bracket			
front	01-02	16.60	MR403 531
rear	01-02	9.25	MR403 532
8 Pump pulley	01-02	73.50# m 0.2	MR403 536
9 Idler pulley	01-02	56.75	MD310 150
10 bracket	01-02	14.85	MD318 635
11 Reservoir assy	01-02	58.85 m 0.6	MR333 196
12 bolt	01-02	1.50	MS240 146
13 Reservoir cap	01-02	10.95#	MR455 733
14 Suction hose	01-02	82.50 m 0.5	MR316 989
15 Pressure hose	01-02	160.00 m 0.8	MR272 247
16 bolt	01-02	2.95	MR130 013
17 gasket	01-02	1.20	MF660 066
18 Pressure tube	01-02	13.85 m 0.8	MR272 249
19 clamp	01-02	5.70	MR333 808
Return hose			
reservoir to cooler	01-02	27.60 m 0.8	MR333 806
cooler to pipe	01-02	17.20 m 0.8	MR297 550
gear to pipe	01-02	74.10 m 0.8	MR333 811
20 Return tube	01-02	8.10	MR272 243
21 Cooler pipe	01-02	50.70 m 0.4	MR333 805
22 clamp	01-02	1.95	MR333 541

PARTS: Part included with power steering pump. After pump is removed.
 † PARTS: Part included in reservoir assembly.

STEERING COLUMN



WARNING
 Before repairing any air restraint system, the battery cables must be disconnected and any back-up power supply discharged for the time period stipulated by the vehicle manufacturer in order to prevent accidental deployment. NOTE: Wiring repairs should only be performed in accordance with vehicle manufacturer specifications.

OVERHAUL OPERATIONS

O/H steering column	01-02	m 3.5
----------------------------	-------	-------

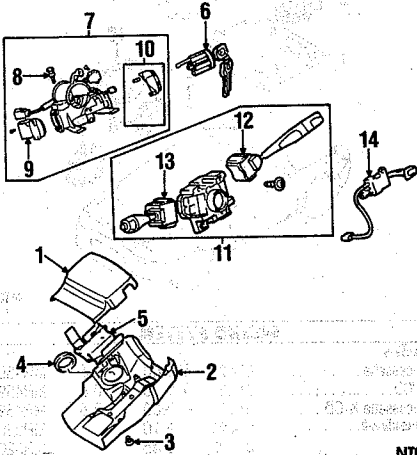
R&I OPERATIONS

R&I steering column 01-02 m 1.5

PARTS AND R&R OPERATIONS

STEERING COLUMN ASSEMBLY

1 Column Assy	01-02	285.00	m 1.5	MR235 077
2 Bolt	01-02	1.35		MS240 127
3 Lower cover	01-02	27.45		MR389 974



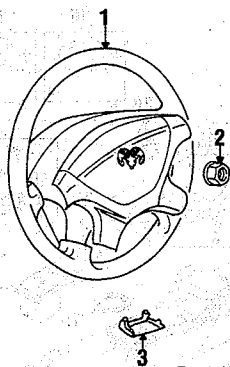
NT01305

SHROUD, SWITCHES & LEVERS

1 Upper clmn cover	01-02	21.75	m 0.3	MR791 369
2 Lower clmn cover	01-02	42.10	m 0.3	MR791 370
3 screw	01-02	D.70		MF453 034
4 grommet	01-02	2.10		MB522 123
5 Protector	01-02	22.25		MR320 590
6 Cyl & keys				
manual trans	01-02	142.00	m 0.6	MR566 186
auto trans	01-02	141.00	m 0.6	MR566 185
7 Steering lock				
manual trans	01-02	83.75	m 1.0	MR475 927
auto trans	01-02	83.75	m 1.0	MR475 928
8 Bolt	01-02	1.95		MR235 639
9 Ignition switch	01-02	34.60	m 0.7	MR235 638
10 Ring	01-02	56.60		MR510 887
11 Combo switch	01-02	205.00	m 0.7	MR558 802
12 Wiper switch	01-02	88.10	m 0.5	MR558 804
13 Light switch	01-02	88.10	m 0.5	MR558 806
14 Cruise switch	01-02	63.00		MB943 716

† PARTS: Part included with steering lock.
‡ PARTS: Part included with combination switch.

STEERING WHEEL



NT01310

WARNING
Before repairing any air restraint system, the battery cables must be disconnected and any back-up power supply discharged for the time period stipulated by the vehicle manufacturer in order to prevent accidental deployment. NOTE: Wiring repairs should only be performed in accordance with vehicle manufacturer specifications.

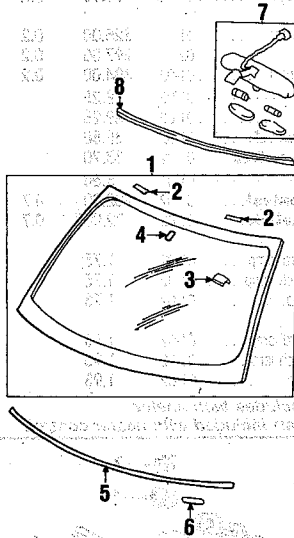
PARTS AND R&R OPERATIONS

STEERING WHEEL & TRIM

1 Steering wheel				
w/o leather	01-02	118.00	m 0.5	MR791 868
w/leather	01-02	520.00	m 0.5	MR791 871
2 nut	01-02	1.75		MU431 503
3 Lower cover	01-02	7.45		MR493 636
Air bag module	01-02			SEE FOOTNOTE

† PARTS: Part located in RESTRAINT SYSTEMS group.

WINDSHIELD



NT01315

PARTS AND R&R OPERATIONS

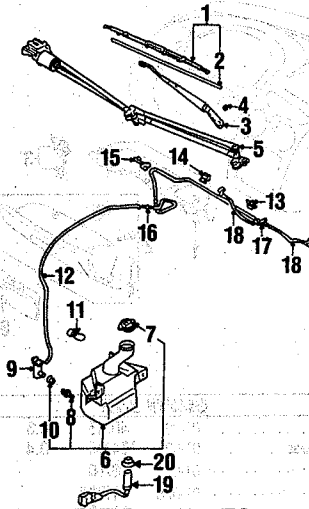
GLASS

1 Glass				
Chrysler				
w/o multi display	01-02	1	3.6	MR478 509
w/multi display	01-02	1	3.6	MR557 514
NAGS				
w/o multi dis	01-02	1214.15	3.6	DW01 416G TY
w/multi displ	01-02	1214.15	3.6	DW01 416G TY
2 stopper	01-02	1.20		MR135 939
3 support	01-02	5.25		MR559 085
4 button	01-02	5.25		MB958 561
5 spacer				
lower	01-02	2.00	0.3	MR108 290
lower side	01-02B	2.20	0.3	MB814 996
7 Mirror inside				
w/o lamp				
w/o sunroof	01-02	144.00	0.3	MR308 681
w/sunroof	01-02	161.00	0.3	MR308 682
Lamp lens	01-02R	10.10		MR190 398
	01-02L	10.70		MR190 397

REVEAL MOLDINGS

8 Reveal molding	01-02	11.25		MR349 654
------------------	-------	-------	--	-----------

† PARTS: Includes mirror button.



NT01320

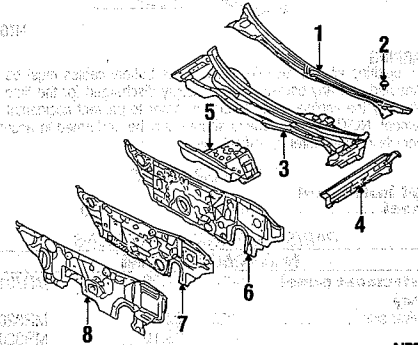
WIPER & WASHER COMPONENTS

1 Blade Assy	01-02R	49.35	0.2	MR482 671
	01-02L	40.45	0.2	MR482 673
2 Blade	01-02R	10.45		MR416 855
	01-02L	11.45		MR482 675
3 Wiper arm	01-02R	34.10	0.3	MR482 674
	01-02L	33.75	0.3	MR482 672
4 nut	01-02B	2.10		MS440 074
5 Motor & linkage	01-02	399.00	0.8	MR322 150
6 Washer reservoir	01-02	18.60	1.1	MR522 403
7 cap	01-02	2.20		MR245 402

8 Bolt	01-02	1.50		MF241 253
9 Washer pump	01-02	46.60	1.1	MR339 099
10 gasket	01-02	1.85		MF845 482
11 Strap	01-02	1.35		MB249 338
12 Hose clip	01-02	13.45		MB084 759
13 #1	01-02B	3.25		MU481 137
14 #2	01-02B	2.75		MU481 043
15 #3	01-02	1.50		MR361 607
16 connector	01-02	2.20		MB083 730
17 T-connector	01-02	1.70		MB623 192
18 Nozzle	01-02R	14.00	0.2	MR322 202
	01-02L	14.00	0.2	MR322 201
19 Fluid sensor	01-02	30.35		MR522 408
20 grommet	01-02	1.75		MR522 409

PARTS: Included with washer reservoir.
† PARTS: Includes blade.

COWL

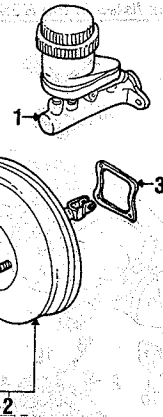


NT01325

PARTS AND R&R OPERATIONS

COWL

1 Cowl grille	01-02	79.50	0.5	MR322 153
2 clip	01-02B	1.60		MB375 995
3 Cowl top panel(p1.3)	01-02	334.00	6.5	MR392 184
4 Extension	01-02R	24.50		MR535 512
	01-02L	24.50		MR535 511
5 Center reinf.	01-02	82.95		MR392 154
6 Dash panel	01-02	D	12.0	MR325 483
7 reinforcement	01-02	105.00		MR344 394
8 Insulator	01-02	53.85		MR214 451



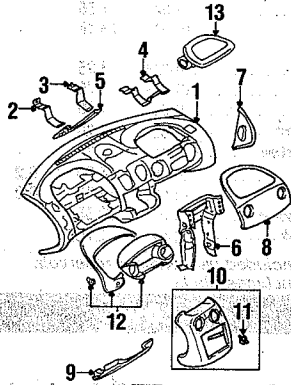
NT01330

COMPONENTS ON DASH PANEL

1 Master cylinder				
w/o traction control	01-02	357.00	m 1.1	MR475 973
w/ABS	01-02	357.00	m 1.6	MR475 431
w/traction control	01-02	360.00	m 1.1	MR475 432
cap	01-02	8.35		MR475 284
2 Power booster				
w/o traction control	01-02	442.00	m 1.6	MR527 042
w/traction control	01-02	432.00	m 1.6	MR527 043
3 seal	01-02	2.50		MB928 711
4 grommet	01-02	2.75		MR527 008

PARTS: Part included with power booster.

INSTRUMENT PANEL

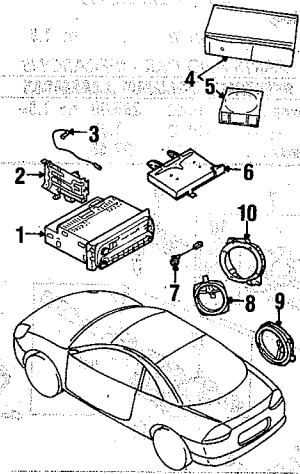


NT01335

9 Hood					
w/o multi display	01-02	41.25	0.2	MR621 750	
w/multi display	01-02	91.10	0.2	MR791 371	
Module					
message center	01	325.00	0.2	MR320 621	
	02	297.00	0.2	MR590 427	
	01-02	304.00	0.2	MR512 681	
11 compass sensor	01-02	8.25		MR559 086	
12 bracket	01-02	49.25		MR270 896	
13 Rheostat	01-02	35.50		MR320 634	
14 Hazard switch	01-02	33.70		MR471 556	
15 Fog lamp switch	01-02	5.50		MR791 366	
16 bezel	01-02	202.00	0.7	MR500 060	
17 Heater control	01-02	72.00	0.7	MR460 754	
Control switch					
18 Socket					
signal, hazard lamp	01-02	1.75		MR480 444	
speedo & tach lamp	01-02	1.75		MR471 776	
low fuel lamp	01-02	1.75		MR480 442	
19 Bulb					
signal, hazard lamp	01-02	1.95		MR480 443	
speedo & tach lamp	01-02	1.95		MR471 775	
low fuel lamp	01-02	1.95		MR480 441	

PARTS: Includes tachometer.

PARTS: Part included with heater control.



NT01355

WARNING

Before repairing any air restraint system, the battery cables must be disconnected and any back-up power supply discharged for the time period stipulated by the vehicle manufacturer in order to prevent accidental deployment. NOTE: Wiring repairs should only be performed in accordance with vehicle manufacturer specifications.

R&I Instrument panel.

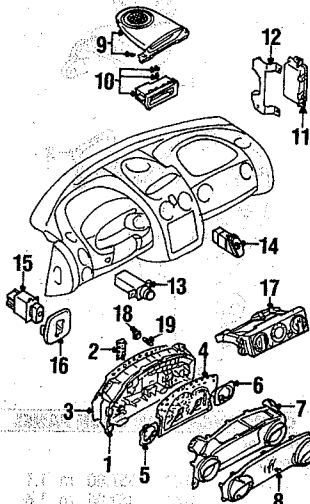
R&I OPERATIONS

01-02	4.0
-------	-----

PARTS AND R&R OPERATIONS

1 Instrument panel.	01-02	487.00	5.0	MR791 352
stay				
2 driver side	01-02R	20.45		MR320 510
3	01-02L	23.10		MR320 509
4 passenger side	01-02	36.10		MR512 662
reinforcement				
5 driver side	01-02	51.60		MR320 560
6 center	01-02	70.95		MR320 513
7 End cap				
01 L	01	19.20	0.3	MR320 505
01 R	01	18.75	0.3	MR320 504
02 L	02	19.20	0.3	MR320 505
02 R	02	27.75	0.3	MR975 004
8 Dash pad	01-02	103.00		MR791 349
9 Lower panel	01-02	46.45	0.3	MR791 365
10 Center panel	01-02	87.70	0.8	MR621 711
11 clip	01-02	1.35		MB652 510
12 Cluster bezel	01-02	73.20		MR791 368
13 Passg air bag	01-02		#	SEE FOOTNOTE

PARTS: Part is listed in the RESTRAINT SYSTEM group.



NT01340

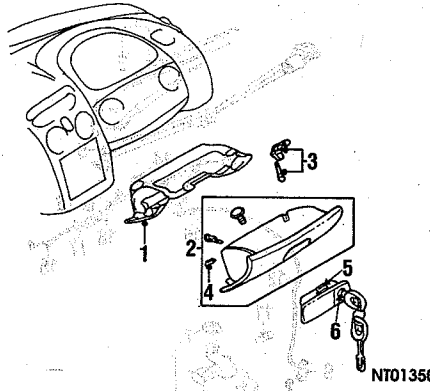
CLUSTER & SWITCHES

1 Case	01-02	32.60	0.8	MR471 747
2 holder	01-02	4.35		MR471 757
3 Circuit board	01-02	40.85	0.9	MR471 756
4 Speedometer				
w/o sport package				
2.4L	01-02	199.00	0.6	MR532 036
3.0L	01-02	199.00	0.6	MR532 037
w/sport package	01-02	200.00	0.6	MR532 038
5 Fuel gauge	01-02	44.35	0.5	MR532 042
6 Temp gauge	01-02	43.45	0.5	MR532 043
7 Housing	01-02	35.35		MR471 748
8 Glass	01-02	29.10		MR471 749

DUCTS

1 Air outlet	01-02B	37.75		MR791 367
2 Defroster grille	01-02R	12.95		MR320 568
.....	01-02L	12.95		MR320 567
3 Defroster nozzle	01-02	78.00		MR315 297
4 Air duct	01-02	73.35		MR315 298
5 Heater duct	01-02R	33.85		MR360 360
.....	01-02L	15.45		MR315 299

NT01345



NT01350

GLOVE BOX

1 Cover	01-02	40.45	0.3	MR320 527
2 Glove box	01-02	134.00	0.4	MR791 353
3 striker	01-02	8.10		MR402 969
4 cushion	01-02B	1.00	#	MR298 721
5 Lock	01-02	11.60		MR791 347
6 Lock cylinder	01-02	119.00	0.3	MR566 158

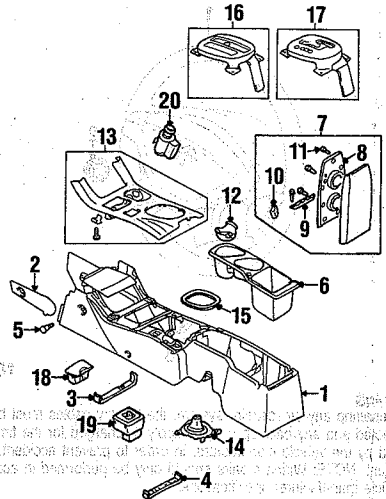
PARTS: Part is included with glove box.

SOUND SYSTEM

1 Radio					
w/cassette	01-02	600.00	0.6	MR459 822	
w/CD	01-02	650.00	0.6	MR459 823	
w/cassette & CD	01-02	695.00	0.6	MR459 824	
2 bracket	01-02R	8.10		MR320 640	
.....	01-02L	8.45		MR320 639	
3 strap	01-02	4.70		MB196 705	
screw					
#1	01-02B	1.45		MS450 157	
#2	01-02	.70		MR472 792	
4 CD player					
FM modulated	01-02	345.00	0.5	82202 700	
CD controls	01-02	345.00	0.5	82203 465	
5 CD magazine	01-02	39.00	#	47974 33	
6 Amplifier					
grommet	01-02	662.00	0.6	MR472 783	
screw	01-02B	1.45		MS450 156	
Speaker					
front tweeter	01-02B	120.00	0.4	MR329 157	
8 door					
15 watt	01-02B	87.00	0.6	MR301 668	
30 watt	01-02B	104.00	0.6	MR318 618	
9 quarter					
15 watt	01-02B	93.50	0.7	MR301 665	
30 watt	01-02B	110.00	0.7	MR318 619	
10 Mount bracket					
door speaker	01-02R	7.25		MR368 830	
.....	01-02L	7.25		MR368 829	

PARTS: Part included with C/D player.

CONSOLE



NT01360

PARTS AND R&R OPERATIONS

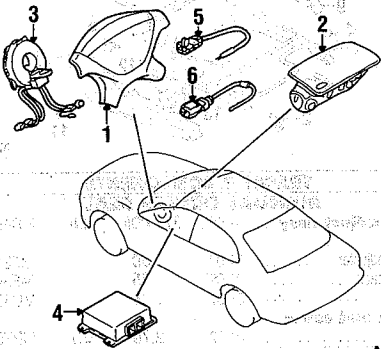
1 Floor console	01-02	80.25	0.7	MR621 745
2 cover	01-02	5.95		MR621 752
bracket				
3 front	01-02	15.50		MR320 543
4 rear	01-02	8.60		MR320 544
5 retainer	01-02B	.75		MR200 300
6 Storage box	01-02	110.00		MR791 363

DR3 NT01

7 Lid Assy	01-02	51.70	0.2	MR621 710
8 Cup holder	01-02	91.10		MR320 541
9 Hinge	01-02	8.70		MR512 948
10 Latch	01-02	1.25		MR320 550
11 Cushion	01-02B	2.35		MB604 673
12 Cup holder	01-02	6.50		MR320 542
13 Console panel	01-02	202.00		MR550 942
14 Shift boot	01-02	50.85		MR799 123
15 Shift panel				
manual trans	01-02	13.85		MR550 769
auto trans	01-02	9.25		MR320 553
Shift indicator				
w/o sport mode	01-02	70.60		MR518 445
w/sport mode	01-02	70.60		MR518 446
18 Ashtray	01-02	61.25	0.2	MR612 019
19 Mirror switch	01-02	34.60		MB603 049
20 Lighter	01-02	31.00		MR572 619

‡ PARTS: Part is included in lid assembly.

RESTRAINT SYSTEMS



NT01365

WARNING
Before repairing any air restraint system, the battery cables must be disconnected and any back-up power supply discharged for the time period stipulated by the vehicle manufacturer in order to prevent accidental deployment. NOTE: Wiring repairs should only be performed in accordance with vehicle manufacturer specifications.

REPLACEMENT COMPONENTS
The following components are mandatory replacement items following an air bag deployment according to current vehicle manufacturer recommendations. This information supersedes all prior information published by MOTOR. NOTE: Some Restraint System information not available at time of publication.

- Air bag module(s)
- SRS diagn unit
- Side impact sensors (if side bags deploy)
- Front seat backs (if side bags deploy)

INSPECTION COMPONENTS
The following components must be inspected for damage and replaced if necessary.

- Wire harnesses
- Terminals
- Connectors
- Clockspring
- Steering wheel
- Steering column

ADD IF REQUIRED

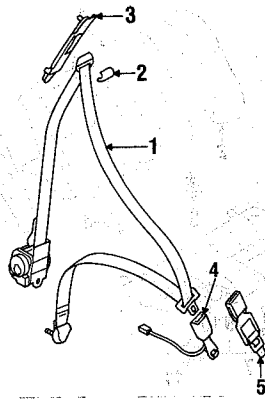
Air bag system diagnosis 01-02 m 0.5

PARTS AND R&R OPERATIONS

AIR BAG COMPONENTS					
1 Driver air bag	01-02	309.00	m	0.4	MR407 500
2 Passenger air bag	01-02	1100.00	m	0.7	MR791 350
3 Side air bag	01-02	#			NOT SERVICED
4 Clockspring	01-02	142.00	m	0.8	MR301 702
4 Diagnostic unit Adapter	01-02	260.00	m	0.8	MR530 103
5 at driver air bag	01-02	40.60			MR203 491
6 at clockspring	01-02	29.85			MR372 530

‡ PARTS: Side air bag serviced only as part of seat back assembly. See SEATS & TRACKS group, FRONT SEAT COMPONENTS subgroup.

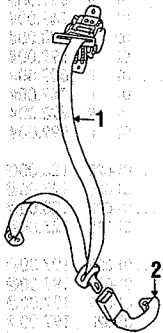
2001-02 CHRYSLER SEBRING COUP



NT01370

FRONT SEAT BELTS

1 Belt & retractor	01-02R	128.00	0.8	MR790 615
	01-02L	128.00	0.8	MR790 613
2 upper cover	01-02B	32.60		MR797 681
3 Adjuster	01-02B	45.20		MR790 361
4 Buckle end	01-02R	42.25	0.5	MR790 364
	01-02L	42.25	0.5	MR790 362
5 Extension	01-02B	13.75		MR916 650

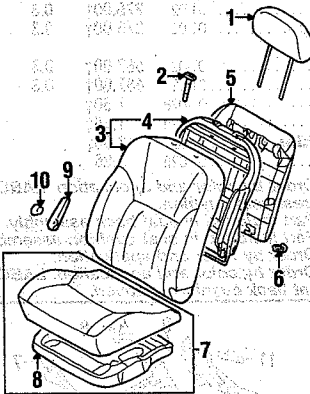


NT01375

REAR SEAT BELTS

1 Outer belt Assy	01-02	76.50	0.8	MR621 695
Center seat belt	02	72.60	0.8	MR605 563
2 Buckle end	01-02B	23.50	0.4	MR621 696

SEATS & TRACKS



NT01380

WARNING
Before repairing any air restraint system, the battery cables must be disconnected and any back-up power supply discharged for the time period stipulated by the vehicle manufacturer in order to prevent accidental deployment. NOTE: Wiring repairs should only be performed in accordance with vehicle manufacturer specifications.

PARTS AND R&R OPERATIONS

FRONT SEAT COMPONENTS

LX TYPE

1 Headrest				
cloth				
beige	01-02B	85.50	0.2	MR611 636
gray	01-02B	85.50	0.2	MR611 634
leather				
beige	01-02B	115.00	0.2	MR611 632
gray	01-02B	115.00	0.2	MR611 633

2 Headrest guide				
w/o lock				
beige	01-02B	7.25	#	MR792 201
gray	01-02B	3.25	#	MR792 200
w/lock				
beige	01-02B	6.35	#	MR792 199
gray	01-02B	6.35	#	MR792 198

3 Seat back Assy				
cloth				
beige	01-02R	347.00	1.0	MR611 389
beige	01-02L	417.00	1.0	MR611 417
gray	01-02R	347.00	1.0	MR611 388
gray	01-02L	417.00	1.0	MR611 416
leather				
beige	01-02R	455.00	1.0	MR611 439
beige	01-02L	564.00	1.0	MR611 437
gray	01-02R	455.00	1.0	MR611 438
gray	01-02L	564.00	1.0	MR611 436
4 Seat back frame				
beige	01-02R	60.75	#	MR378 055
gray	01-02L	118.00	#	MR474 763

5 Seat back panel				
beige	01-02B	73.35		MR792 250
gray	01-02B	71.85		MR792 249
6 Hook	01-02B	1.45		MR306 977

7 Cushion Assy				
w/o power seat				
beige	01-02R	217.00	0.8	MR611 327
beige	01-02L	215.00	0.8	MR611 323
gray	01-02R	217.00	0.8	MR611 326
gray	01-02L	210.00	0.8	MR611 322

w/power seat				
beige	01-02R	425.00	0.8	MR611 351
beige	01-02L	217.00	0.8	MR611 355
gray	01-02R	425.00	0.8	MR611 350
gray	01-02L	217.00	0.8	MR611 354

8 Cushion frame				
beige	01-02R	31.35	†	MR347 148
gray	01-02L	31.35	†	MR347 147

9 Lumbar adjuster				
beige	01-02L	7.60		MR608 413
gray	01-02L	7.60		MR608 412

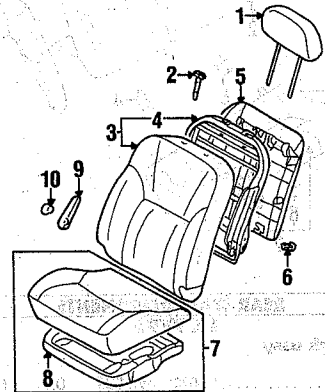
10 cap				
beige	01-02L	2.10		MR608 415
gray	01-02L	2.00		MR608 414

PARTS: Order by color and application.

‡ PARTS: Part included in seat back assembly.

† PARTS: Part included in seat cushion assembly.

‡ PARTS: Order by color and description. LABOR: Includes seat R&I.



NT01385

FRONT SEAT COMPONENTS

LXI TYPE

WARNING
Before repairing any air restraint system, the battery cables must be disconnected and any back-up power supply discharged for the time period stipulated by the vehicle manufacturer in order to prevent accidental deployment. NOTE: Wiring repairs should only be performed in accordance with vehicle manufacturer specifications.

PARTS AND R&R OPERATIONS

1 Headrest					
w/o leather					
beige	01-02B	91.10	#	0.2	MR611 637
gray	01-02B	91.10	#	0.2	MR611 635
w/leather					
beige	01-02B	115.00	#	0.2	MR611 633
gray	01-02B	115.00	#	0.2	MR611 632
2 Headrest guide					
w/o lock					
beige	01-02B	7.25	#	MR792 201	
gray	01-02B	3.25	#	MR792 200	
w/lock					
beige	01-02B	6.35	#	MR792 199	
gray	01-02B	6.35	#	MR792 198	

CONTINUED

2001-02 CHRYSLER SEBRING COUP

DR3 NT01

SEATS & TRACKS (CONT)

Table listing seat parts such as Seat back Assy, Seat back frame, Seat back panel, Hook, Cushion Assy, Cushion frame, Lumbar adjuster, and Cap with their respective quantities and part numbers.

PARTS: Order by color and application. PARTS: Part included in seat back assembly. PARTS: Part included in seat cushion assembly. PARTS: Order by color and description. LABOR: Includes seat R&I.

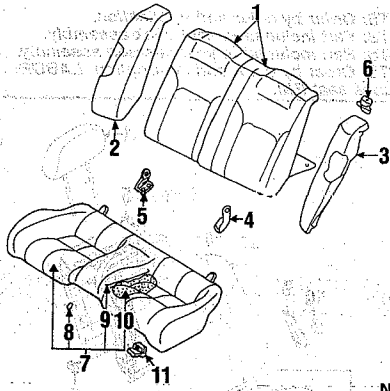
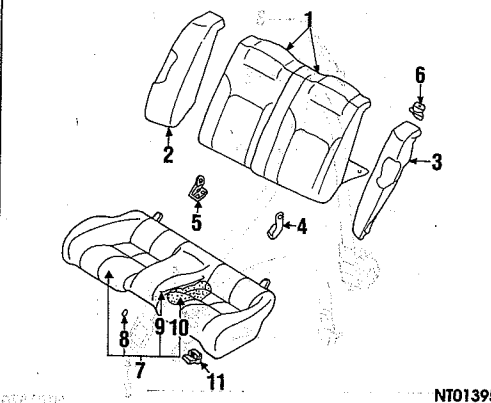


Table titled REAR SEAT COMPONENTS LX TYPE listing parts like Seat back Assy (center, side), Hinge, Striker, and Seat cushion with prices and part numbers.

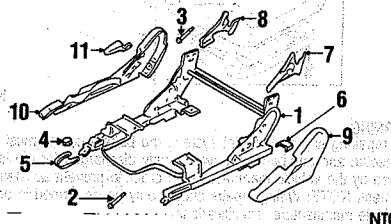
PARTS: Order by color and application. LABOR: Time includes rear seat cushion. PARTS: Part included in seat back assembly. PARTS: Part included in seat cushion assembly. PARTS: Order by color and application. PARTS: Order by color and application. LABOR: With center seat back cushion removed.



REAR SEAT COMPONENTS LXI TYPE

Detailed table of rear seat components for LXI type including seat back assembly, hinges, bolts, cushions, rings, wires, and stoppers with prices and part numbers.

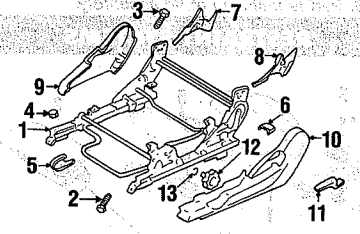
PARTS: Order by color and application. LABOR: Time includes rear seat cushion. PARTS: Part included in seat back assembly. PARTS: Part included in seat cushion assembly. PARTS: Order by color and application. PARTS: Order by color and application. LABOR: With center seat back cushion removed.



TRACKS & COMPONENTS PASSENGER SIDE

Table listing passenger side tracks and components including seat adjuster, seat adjuster bolt, seat back, nut, track end cover, and recline cover with prices and part numbers.

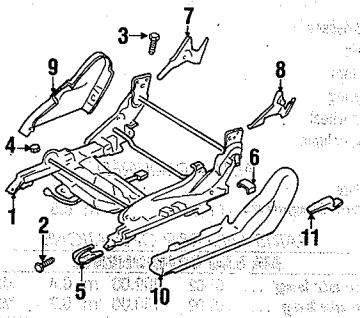
Table listing recline cover components for inner and outer with prices and part numbers.



TRACKS & COMPONENTS MANUAL DRIVER SEAT

Detailed table of tracks and components for manual driver seat including seat adjuster, seat back, track end cover, recline cover, hinge cover, side shield, recline lever, adjust knob, and snap ring with prices and part numbers.

LABOR: Includes seat R&I.



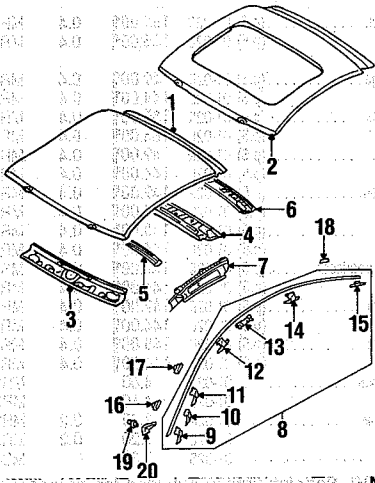
TRACKS & COMPONENTS POWER DRIVER SEAT

Table listing power driver seat tracks and components including seat adjuster, seat adjuster bolt, seat back, nut, track end cover, recline cover, and inner recline cover with prices and part numbers.

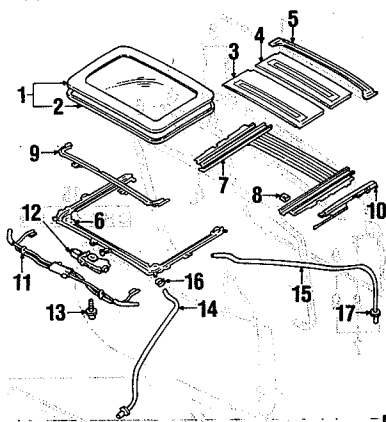
8	outer beige	01-02	3.45		MR611 447
	gray	01-02	3.45		MR611 446
9	Hinge cover				
	beige	01-02	7.70		MR792 236
	gray	01-02	7.70		MR792 235
10	Side shield				
	beige	01-02	10.00	0.3	MR612 599
	gray	01-02	10.00	0.3	MR612 598
11	Recline lever				
	beige	01-02	6.10		MR792 252
	gray	01-02	6.10		MR792 251

LABOR: Includes seat R&I.

ROOF



NT01415



NT01420

R&I OPERATIONS

R&I headliner				
w/o sunroof	01-02	1.5		
w/sunroof	01-02	1.6		

PARTS AND R&R OPERATIONS

ROOF & COMPONENTS

Roof panel						
1	w/o sunroof	(p2.4)	01-02	245.00	15.5	MR535 484
2	w/sunroof	(p2.8)	01-02	345.00	16.5	MR535 503
3	W'shield header		01-02	49.85	2.0	MR392 199
4	Rear header		01-02	28.85	2.0	MR535 635
5	Rear bow		01-02	21.50	2.0	MR535 634
6	Rear rail		01-02	45.60		MR535 633
Roof rail						
	w/o sunroof		01-02R	18.60	1.0	MR535 374
			01-02L	18.60	1.0	MR535 373
	w/sunroof		01-02R	18.60	1.0	MR535 376
			01-02L	18.60	1.0	MR535 375

EXTERIOR TRIM

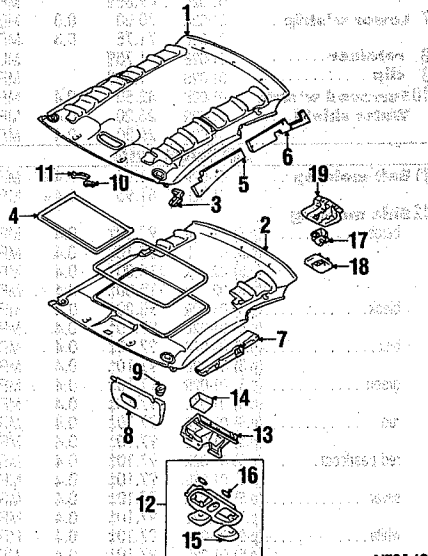
8	Drip molding		01-02R	63.60	0.4	MR432 872
			01-02L	63.60	0.4	MR432 871
9	clip					
	#1		01-02	.75	#	MR478 989
	#2		01-02	.75	#	MR478 990
	#3		01-02	.70	#	MR478 995
	#4		01-02	.70	#	MR478 996
	#5		01-02B	.50	#	MR384 313
	#6		01-02B	.75	#	MR492 061
	#7		01-02R	#	#	MR574 106
			01-02L	#	#	MR574 105
	#8		01-02B	2.60	#	MR412 204
	#9		01-02	2.60	#	MR412 675
	#10		01-02B	3.85	#	MR492 651
	#11		01-02	1.25	#	MF134 825
	cap		01-02R	2.45	#	MR492 604
			01-02L	2.45	#	MR492 603

PARTS: Included with molding.
LABOR: After roof panel is removed.

SUNROOF

1	Glass Assy		01-02	715.00	0.4	MR384 486
2	Weatherstrip		01-02	122.00	#	MR523 132
Sunshade						
3	front					
	beige		01-02	72.00	0.7	MR523 125
	gray		01-02	86.75	0.7	MR573 346
4	rear					
	beige		01-02	67.25	0.7	MR523 127
	gray		01-02	86.75	0.7	MR573 347
5	Air deflector		01-02	34.35		MR523 121
Housing						
6	front		01-02	135.00	#	MR523 116
7	rear		01-02	185.00	#	MR523 115
stopper						
	#1		01-02	2.60	#	MR523 128
	#2		01-02	1.60	#	MR523 763
	#3		01-02	1.60	#	MR523 129
	#4		01-02	.75	#	MR341 016
9	Deflector		01-02	146.00		MR573 304
10	Slider		01-02R	103.00		MR523 118
			01-02L	103.00		MR523 117
11	Cable Assy		01-02	106.00		MR523 122
12	Motor		01-02	272.00	0.3	MR523 123
13	Bolt		01-02B	1.00		MR341 023
Drain hose						
14	front		01-02	12.00		MR507 679
15	rear		01-02	12.00		MR507 679
clip						
	#1		01-02B	1.95	#	MS660 165
	#2		01-02B	1.35	#	MU481 212
17	grommet		01-02B	D		MB642 445

LABOR: R&R complete.
PARTS: Part included in glass assembly.
LABOR: After headliner is removed.



NT01425

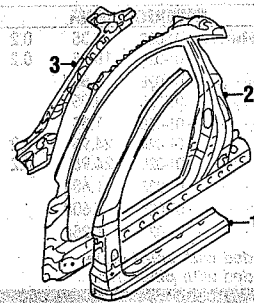
INTERIOR TRIM

Headliner						
1	w/o sunroof					
	beige		01-02	242.00	1.5	MR623 082
	gray		01-02	234.00	1.5	MR623 083
2	w/sunroof					
	beige		01-02	215.00	1.6	MR623 084

gray	01-02	202.00	1.6	MR623 085
3	bracket			
	01-02R	8.10		MR532 758
	01-02L	8.10		MR532 757
clip				
	rear		01-02	1.35
	front		01-02	1.60
4	Opening trim			
	beige		01-02	40.85
	gray		01-02	25.70
Pad				
5	front			
	w/o sunroof		01-02R	8.20
			01-02L	8.20
	w/sunroof		01-02R	8.20
			01-02L	8.20
	rear		01-02R	8.20
			01-02L	8.20
7	side			
	w/sunroof		01-02R	20.85
			01-02L	20.85
8	belt		01-02B	1.50
Sunvisor				
	w/lamp			
	beige		01-02R	75.10
			01-02L	75.10
	gray		01-02R	75.10
			01-02L	75.10
	w/garage door opener			
	beige		01-02L	375.00
	gray		01-02L	367.00
9	holder			
	beige		01-02B	5.20
	gray		01-02B	1.35
clip				
10	Coat hook			
	beige		01-02B	1.00
	gray		01-02B	1.00
11	bracket		01-02B	1.70
12	Dome lamp Assy			
	beige		01-02	56.00
	gray		01-02	56.00
13	bracket			
			01	8.50
			02	7.75
14	pad		01-02	.95
15	Lens		01-02R	3.75
			01-02L	3.75
16	Bulb		01-02B	3.20
17	Sunroof switch		01-02	25.70
Switch cover				
	beige		01-02	3.75
	gray		01-02	3.70
19	bracket		01-02	2.45

PARTS: Order by color.
PARTS: Part is included with dome lamp assembly.

PILLARS, ROCKER & FLOOR



NT01430

REFINISHING NOTES
Add for stone guard if required. See Guide to Estimating.

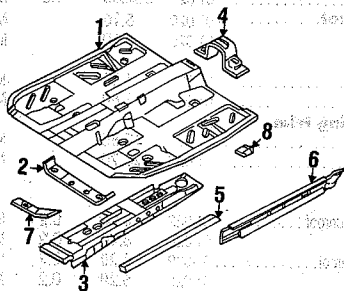
PARTS AND R&R OPERATIONS

HINGE PILLAR

1	Hinge pillar	(p1.3)	01-02R	339.00	s	7.5	MR535 594
			01-02L	339.00	#	7.5	MR535 593
2	Pillar reinf.		01-02R	479.00	‡	6.5	MR535 370
			01-02L	479.00	‡	6.5	MR535 369
3	W'shield pillar		01-02R	94.50	s	2.5	MR535 372
			01-02L	94.50	s	2.5	MR535 371

LABOR: After fender, door, instrument panel and all necessary bolted on parts are removed.
‡ LABOR: After outer panel is removed.

CONTINUED

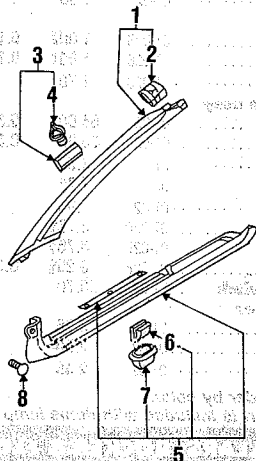


NT01435

PILLARS, ROCKER & FLOOR (CONT)

FLOOR & RAILS

Part No.	Description	Qty	Price	Unit	Material	Part No.
1	Floor pan	01-02	219.00	23.0		MR535 262
2	Front c'member	01-02R	70.95	1.0		MR392 140
		01-02L	70.95	1.0		MR392 139
3	Reinforcement	01-02	82.10			MR535 266
4	Rear crossmember	01-02	70.95	1.5		MR392 653
5	Sidemember	01-02	78.25	5.0		MR392 141
6	Side sill	01-02R	97.95	3.0		MR535 264
		01-02L	97.95	3.0		MR535 263
7	brace	01-02R	21.50			MR439 698
		01-02L	21.50			MR439 697
8	Mount bracket					
	seats	01-02R	15.50			MR392 138
		01-02L	15.20			MR392 137



NT01440

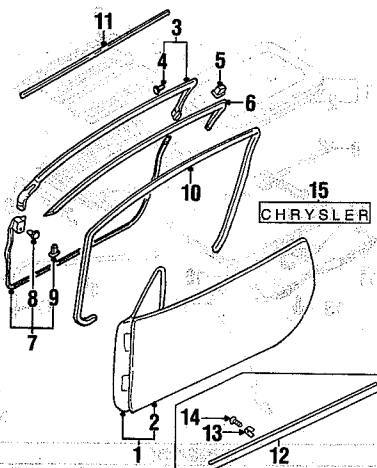
INTERIOR TRIM

Part No.	Description	Qty	Price	Unit	Material	Part No.
1	W/S pillar trim	01-02R	18.35	0.2		MR621 731
		01-02L	18.35	0.2		MR621 730
2	clip	01-02B	1.60#			MU470 013
3	Tube	01-02B	4.95			MR489 945
4	clip	01-02B	1.35			MR181 745
5	Scuff plate	01-02R	24.95	0.2		MR621 713
		01-02L	24.95	0.2		MR621 712
6	clip	01-02B	1.60#			MU470 041
7	grommet	01-02B	1.60#			MU810 522
8	screw	01-02	1.25#			MF453 094

PARTS: Included with scuff plate.
† PARTS: Included with pillar trim.

DOOR

Except Door Shell or Door Outer Panel R&R; all operation times in the following group are after door trim panel is removed.



NT01445

REFINISHING NOTES

Add for stone guard if required. See Guide to Estimating.

Refinishing Note	Operation	Price
Refin door shell exterior surface only	01-02	p2.0
edges	01-02	p.5
inner panel	01-02	p.5
Refin outer panel exterior surface only	01-02	p2.0
edges	01-02	p.5
inner panel	01-02	p.5

ADD IF REQUIRED

Part	Operation	Price
R&R door shell add for mirror	01-02	0.4
R&R outer panel add for mirror	01-02	0.4

R&I OPERATIONS

Part	Operation	Price
R&I door Assy	01-02	0.6
R&I trim panel	01-02	0.5

PARTS AND R&R OPERATIONS

DOOR & COMPONENTS

Part No.	Description	Qty	Price	Unit	Material	Part No.
1	Door shell	(p3.0) 01-02R	532.00	4.5		MR535 722
		(p3.0) 01-02L	532.00	4.5		MR535 721
2	Outer panel	(p2.0) 01-02R	205.00†	5.5		MR535 726
		(p2.0) 01-02L	205.00†	5.5		MR535 725
3	Upper w'strip	01-02R	85.10	0.3		MR341 828
		01-02L	86.85	0.3		MR341 827
4	clip	01-02B	1.75#			MU481 140
5	grommet	01-02B	1.35			MB888 561
6	holder	01-02R	49.85#			MR435 536
		01-02L	49.85#			MR435 535
7	Lower w'strip	01-02R	70.00	0.3		MR271 702
		01-02L	71.75	0.3		MR271 701
8	retainer	01-02B	1.75#			MU481 140
9	clip	01-02B	1.75#			MR523 467
10	Surround w'strip	01-02B	42.50	0.4		MR621 697
	Water shield	01-02R	26.20	0.4		MR271 710
		01-02L	26.20	0.4		MR271 709

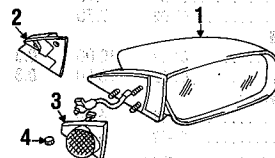
EXTERIOR TRIM

Part No.	Description	Qty	Price	Unit	Material	Part No.
11	Belt molding	01-02R	61.95	0.4		MR435 540
		01-02L	61.95	0.4		MR435 539
12	Side molding					
	beige	(p.5) 01 L R	97.10†	0.4		MR617 521
		(p.5) 01 L L	97.10†	0.4		MR617 513
		(p.5) 02 R R	115.00†	0.4		MR637 924
		(p.5) 02 L L	115.00†	0.4		MR637 922
	black	(p.5) 01-02R	95.20†	0.4		MR617 515
		(p.5) 01-02L	97.10†	0.4		MR617 507
	blue	(p.5) 01-02R	97.10†	0.4		MR617 517
		(p.5) 01-02L	97.10†	0.4		MR617 509
	green	(p.5) 01-02R	97.10†	0.4		MR617 522
		(p.5) 01-02L	97.10†	0.4		MR617 514
	red	(p.5) 01-02R	97.10†	0.4		MR617 516
		(p.5) 01-02L	97.10†	0.4		MR617 508
	red pearcoat	(p.5) 01-02R	97.10†	0.4		MR617 520
		(p.5) 01-02L	97.10†	0.4		MR617 512
	silver	(p.5) 01-02R	97.10†	0.4		MR617 518
		(p.5) 01-02L	97.10†	0.4		MR617 510
	white	(p.5) 01-02R	97.10†	0.4		MR617 519
		(p.5) 01-02L	97.10†	0.4		MR617 511
	gray	(p.5) 02 R	115.00†	0.4		MR637 925
		(p.5) 02 L	115.00†	0.4		MR637 923
13	clip	01-02B	2.25#			MB404 094
14	screw	01-02B	.50#			MF457 521
15	Nameplate	01-02B	25.20	0.2		MR478 634

PARTS: Part included with side molding.
† PARTS: Included with weatherstrip.

LABOR: Refinish time is provided for instances when required color is not available or for some repair situations.

† PARTS: Part included with door shell.



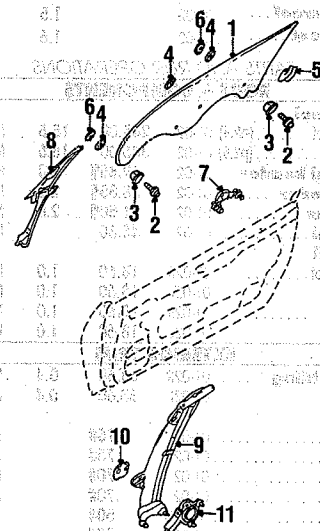
NT01450

OUTSIDE MIRRORS

Mirror

Mirror Color	Operation	Price	Unit	Material	Part No.	
LX black	(p.5) 01-02R	185.00†	0.4		MR611 890	
	(p.5) 01-02L	185.00†	0.4		MR611 882	
LXi beige	(p.5) 01-02R	149.00†	0.4		MR611 896	
	(p.5) 01-02L	144.00†	0.4		MR611 888	
black	(p.5) 01-02R	185.00†	0.4		MR611 890	
	(p.5) 01-02L	185.00†	0.4		MR611 882	
blue	(p.5) 01-02R	149.00†	0.4		MR611 892	
	(p.5) 01-02L	144.00†	0.4		MR611 884	
green	(p.5) 01-02R	149.00†	0.4		MR611 897	
	(p.5) 01-02L	144.00†	0.4		MR611 889	
red	(p.5) 01-02R	148.00†	0.4		MR611 891	
	(p.5) 01-02L	144.00†	0.4		MR611 883	
red pearcoat	(p.5) 01-02R	149.00†	0.4		MR611 895	
	(p.5) 01-02L	144.00†	0.4		MR611 887	
silver	(p.5) 01-02R	149.00†	0.4		MR611 893	
	(p.5) 01-02L	144.00†	0.4		MR611 885	
white	(p.5) 01-02R	148.00†	0.4		MR611 894	
	(p.5) 01-02L	144.00†	0.4		MR611 886	
2	Frame	01-02R	4.60			MR322 156
		01-02L	4.60			MR322 155
3	Cover	01-02R	3.20	0.2		MR322 162
		01-02L	3.20	0.2		MR322 161
4	nut	01-02B	1.35			MS440 502

LABOR: Refinish time is provided for instances when required color is not available or for some repair situations.



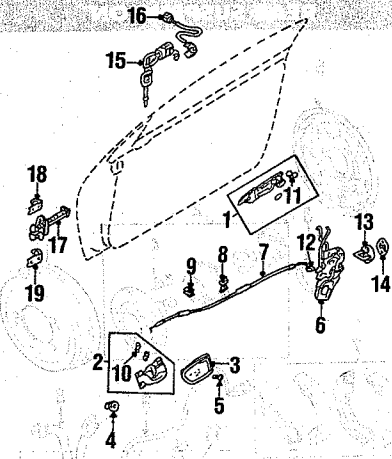
NT01455

GLASS & HARDWARE

Part No.	Description	Qty	Price	Unit	Material	Part No.
1	Glass					
	Chrysler	01-02R	265.00	0.7		MR473 360
		01-02L	265.00	0.7		MR473 359
	NAGS	01-02R	666.00	0.7		DD09859GTY
		01-02L	666.00	0.7		DD09860GTY
2	bolt					
	center	01-02B	2.10			MB655 950
	front & rear	01-02B	.25			MF240 024
3	bumper	01-02B	1.70			MR523 397
4	cushion	01-02B	2.75			MB364 453
5	hook	01-02	2.75			MB926 277
6	nut					
	front & rear	01-02B	3.00			MB364 452
7	stabilizer	01-02R	13.95			MR523 788
		01-02L	13.95			MR523 787
8	Sash channel	01-02R	105.00			MR271 678
		01-02L	105.00			MR271 677
	bolt	01-02B	1.50			MF140 021
	nut	01-02B	1.35			MS440 503
9	Regulator	01-02R	68.60	0.8		MR432 202
		01-02L	68.60	0.8		MR432 201

DR3 NT01

10 plate	01-02B	5.85		MR503 655
11 Motor	01-02R	190.00	0.8	MR341 098
	01-02L	190.00	0.8	MR341 097



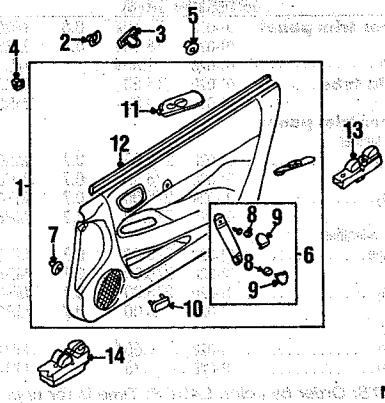
NT01460

LOCK & HARDWARE

1 Handle, outside				
beige	(p.4) 01 R	31.85@	0.5	MR611 900
	(p.4) 01 L	31.85@	0.5	MR611 898
	(p.4) 02 R	28.00@	0.5	MR777 053
	(p.4) 02 L	28.00@	0.5	MR777 045
black	(p.4) 01-02R	64.50@	0.5	MR777 050
	(p.4) 01-02L	64.50@	0.5	MR777 042
blue	(p.4) 01-02R	66.20@	0.5	MR790 841
	(p.4) 01-02L	66.20@	0.5	MR790 837
green	(p.4) 01-02R	36.20@	0.5	MR611 901
	(p.4) 01-02L	36.20@	0.5	MR611 899
red	(p.4) 01-02R	66.20@	0.5	MR790 840
	(p.4) 01-02L	66.20@	0.5	MR790 836
red pearcoat	(p.4) 01-02R	66.20@	0.5	MR790 843
	(p.4) 01-02L	66.20@	0.5	MR790 839
silver	(p.4) 01-02R	66.20@	0.5	MR790 842
	(p.4) 01-02L	66.20@	0.5	MR790 838
white	(p.4) 01-02R	64.50@	0.5	MR600 279
	(p.4) 01-02L	64.50@	0.5	MR600 277
gray	(p.4) 02 R	29.60@	0.5	MR630 574
	(p.4) 02 L	29.60@	0.5	MR630 572
2 Handle, inside				
beige	01-02R	11.25#	0.2	MR473 718
	01-02L	11.25#	0.2	MR473 717
gray	01-02R	11.25#	0.2	MR473 712
	01-02L	11.25#	0.2	MR473 711
3 Handle bezel				
beige	01-02R	5.85#	0.2	MR777 118
	01-02L	5.85#	0.2	MR777 116
gray	01-02R	5.85#	0.2	MR777 117
	01-02L	5.85#	0.2	MR777 115
4 grommet				
	01-02			MS480 033
5 screw				
m4x8	01-02	1.10		MF453 075
m6x14	01-02	1.45		MF453 046
6 Latch				
	01-02R	170.00	0.5	MR349 946
	01-02L	170.00	0.5	MR349 945
7 Lock cable				
to handle	01-02R	9.60	0.3	MR375 304
	01-02L	9.60	0.3	MR375 303
8 holder				
	01-02	3.00		MU481 211
9 clip				
to lock cable	01-02B	2.45†	0.2	MR487 926
to inside handle	01-02R	2.45†	0.2	MR415 241
	01-02L	2.45†	0.2	MR415 242
to outside handle	01-02R	1.60†	0.2	MU481 090
	01-02L	1.60†	0.2	MU481 091
to latch	01-02R	1.45	0.2	MU481 194
	01-02L	1.50	0.2	MU481 193
13 Striker				
	01-02B	9.75	0.2	MB867 059
14 shim				
	01-02B	3.10		MB888 461
15 Cyl & keys				
	01-02R	135.00†		MR566 176
	01-02L	135.00†		MR566 175
16 Lock switch	01-02B	27.60	0.2	MR462 323
17 Door check	01-02B	18.20	0.2	MR462 607
18 Upper hinge	(p.3) 01-02R	24.95†	0.3	MR271 687
	(p.3) 01-02L	24.95†	0.3	MR271 688
19 Lower hinge	(p.3) 01-02R	24.95†	0.3	MR271 688
	(p.3) 01-02L	24.95†	0.3	MR271 687

PARTS: Order by color.
† PARTS: Included with handle.
LABOR: After door is removed.
‡ LABOR: Included in outer handle R&R time.
@ LABOR: Refinish time is provided for instances when required color is not available or for some repair situations.

2001-02 CHRYSLER SEBRING COUP



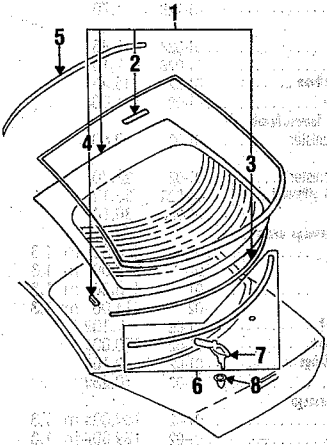
NT01465

INTERIOR TRIM

Trim panel				
LX, w/cloth				
beige	01-02R	375.00†	0.6	MR639 430
	01-02L	375.00†	0.6	MR639 428
gray	01-02R	375.00†	0.6	MR639 429
	01-02L	375.00†	0.6	MR639 427
LXi, w/leather				
beige	01-02R	379.00†	0.6	MR550 768
	01-02L	384.00†	0.6	MR550 766
gray	01-02R	370.00†	0.6	MR550 767
	01-02L	477.00†	0.6	MR550 765
2 upper bracket				
	01-02B	2.25		MR320 711
3 lower bracket				
	01-02B	2.75		MR320 713
grommet				
#1	01-02B	2.25		MB692 947
#2	01-02B			MU480 033
6 Assist strap				
beige	01-02R	47.70#	0.2	MR621 717
	01-02L	48.70#	0.2	MR621 715
gray	01-02R	48.70#	0.2	MR621 716
	01-02L	48.70#	0.2	MR621 714
7 clip				
#1	01-02B	1.70†		MU481 245
#2	01-02B	1.60†		MU470 013
9 cap				
beige	01-02R	8.45#		MR621 728
	01-02L	8.45#		MR621 726
gray	01-02R	8.45#		MR621 729
	01-02L	8.45#		MR621 727
10 Nameplate	01-02R	10.50#	0.2	MR550 729
11 Switch panel	01-02R	32.20#	0.2	MR612 289
	01-02L	31.10#	0.2	MR612 288
12 Belt w'strip	01-02R	27.85†	0.2	MR271 760
	01-02L	28.45†	0.2	MR271 759
13 Window switch				
	01-02R	76.85	0.3	MR400 713
	01-02L	143.00	0.3	MR461 614

PARTS: Included in trim panel. Order by color.
† PARTS: Included with trim panel.
‡ PARTS: Order by description.

BACK GLASS



NT01470

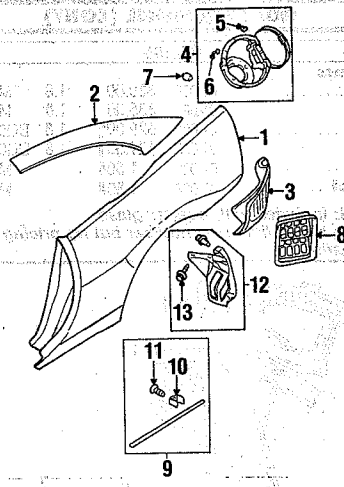
R&R OPERATIONS

GLASS				
Chrysler	01-02		3.0	MR432 861
NAGS	01-02	1308.35	3.0	DB09865GTN
spacer				
upper	01-02		1.20	MR135 939

3 lower	01-02	9.25		MB634 802
4 side	01-02	2.20		MB814 996
Reveal molding				
5 upper	01-02	4.50†		MR432 864
6 lower	01	20.25†		MR432 863
	02	8.00†		MR311 181
7 clip	01-02	.75#		MR375 950
8 grommet	01-02	1.20		MB645 307

PARTS: Part included with lower reveal molding.
LABOR: Included with back glass R&R.

QUARTER PANEL



NT01475

REFINISHING NOTES
Add for stone guard if required. See Guide to Estimating.

Refr quarter panel		
exterior surface only	01-02	p.2,4
edges & pockets	01-02	p.3
lock pillar	01-02	p.5

PARTS AND R&R OPERATIONS

QUARTER PANEL & COMPONENTS

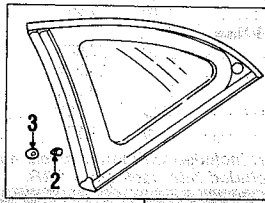
1 Quarter panel	(p.3) 01-02R	462.00	16.0	MR535 482
	(p.3) 01-02L	445.00	16.5	MR535 481
2 Sail panel	(p.1,2) 01-02R	285.00†	0.7	MR535 740
	(p.1,2) 01-02L	285.00†	0.7	MR535 739
3 Lower extn	(p.3) 01-02R	26.75	1.2	MR535 488
	(p.3) 01-02L	26.75	1.2	MR535 487
4 Fuel door	(p.4) 01-02	38.75	0.3	MR535 732
5 spring bumper	01-02	1.20#		MR473 266
6 #1	01-02	.75#		MR473 267
#2	01-02	1.35#		MR365 143
8 Pressure vent	01-02	20.45		MR398 635

EXTERIOR TRIM

9 Side molding	(p.3) 01 R	43.95†	0.2	MR617 537
	(p.3) 01 L	43.95†	0.2	MR617 529
	(p.3) 02 R	49.20†	0.2	MR637 928
	(p.3) 02 L	115.00†	0.2	MR637 926
black	(p.3) 01-02R	43.00†	0.2	MR617 531
	(p.3) 01-02L	43.95†	0.2	MR617 523
blue	(p.3) 01-02R	43.95†	0.2	MR617 533
	(p.3) 01-02L	43.95†	0.2	MR617 525
green	(p.3) 01-02R	43.95†	0.2	MR617 538
	(p.3) 01-02L	43.95†	0.2	MR617 530
red	(p.3) 01-02R	43.95†	0.2	MR617 532
	(p.3) 01-02L	43.95†	0.2	MR617 524
red pearcoat	(p.3) 01-02R	42.50†	0.2	MR617 536
	(p.3) 01-02L	43.95†	0.2	MR617 528
silver	(p.3) 01-02R	43.95†	0.2	MR617 534
	(p.3) 01-02L	43.95†	0.2	MR617 526
white	(p.3) 01-02R	43.95†	0.2	MR617 535
	(p.3) 01-02L	43.95†	0.2	MR617 527
gray	(p.3) 02 R	49.20†	0.2	MR637 929
	(p.3) 02 L	115.00†	0.2	MR637 927
10 clip	01-02B	2.25†		MB404 094
11 screw	01-02	.50†		MF457 521
12 Splash shield	01-02R	5.00	0.3	MR566 298
	01-02L	5.00	0.3	MR566 297
13 clip	01-02	2.10		MB547 806

PARTS: Included with fuel door.
† PARTS: Included with molding.
‡ LABOR: After headliner is removed.
@ LABOR: Refinish time is provided for instances when required color is not available or for some repair situations.

CONTINUED



NT01480

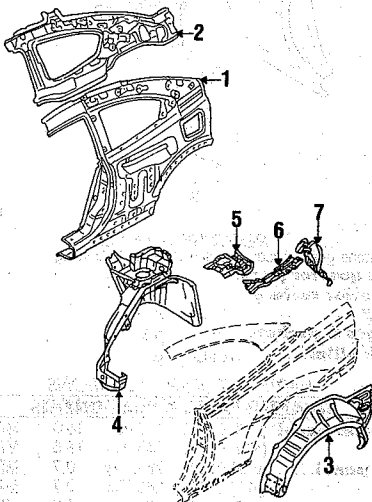
QUARTER PANEL (CONT)

GLASS

Qtr glass				
Chrysler	01-02R	335.00	1.8	MR462 094
	01-02L	335.00	1.8	MR462 093
NAGS	01-02R	629.00#	1.8	DQ09863GTY
	01-02L	629.00#	1.8	DQ09864GTY
clip	01-02R	1.50#		MR492 565
gasket	01-02B	1.50#		MR492 566

PARTS: Included with quarter glass.

1 PARTS: NAGS lists part number but no pricing information.

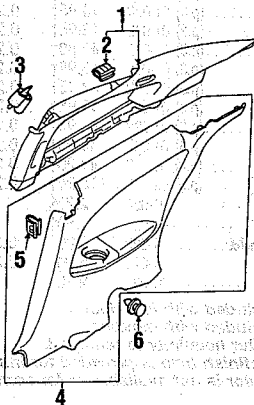


NT01485

INNER STRUCTURE

1 Inner panel assy	01-02R	445.00	6.0	MR535 598
	01-02L	445.00	6.0	MR535 597
2 Upper panel	01-02R	136.00#	3.0	MR535 492
	01-02L	140.00#	3.0	MR535 491
3 Outer wheelhouse	01-02R	153.00	2.5	MR535 510
	01-02L	153.00	2.5	MR535 509
4 Inner wheelhouse	01-02R	249.00	3.5	MR535 490
	01-02L	217.00	3.5	MR535 489
5 brace	01-02R	19.20	3.5	MR535 378
	01-02L	19.20	3.5	MR535 377
6 Upper extn	(p.3) 01-02R	25.75	1.2	MR535 502
	(p.3) 01-02L	11.85	1.2	MR535 501
7 Tail lamp pocket	(p.3) 01-02R	78.60	1.2	MR535 498
	(p.3) 01-02L	78.60	1.2	MR535 497

LABOR: After outer panel is removed.



NT01490

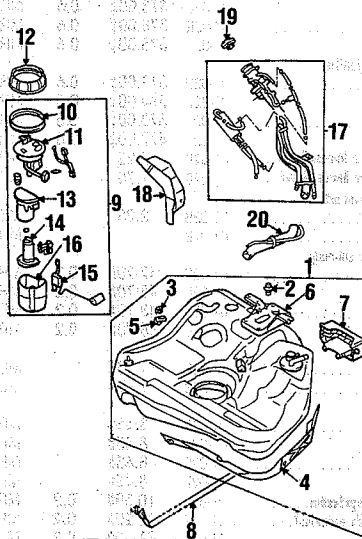
INTERIOR TRIM

1 Upper trim panel	01-02R	75.10#	0.8	MR621 733
	01-02L	75.10#	0.8	MR621 732
2 clip	01-02B	1.60#		MU470 013
3 Drain tube	01-02R	15.20		MR532 554
	01-02L	15.20		MR532 553
4 Lower trim panel				
w/o leather	01-02R	275.00	0.7	MR621 739
beige	01-02L	275.00	0.7	MR621 737
gray	01-02R	275.00	0.7	MR621 738
	01-02L	275.00	0.7	MR621 736
LXi, w/leather				
beige	01-02R	275.00	0.7	MR621 743
	01-02L	275.00	0.7	MR621 741
gray	01-02R	275.00	0.7	MR621 742
	01-02L	275.00	0.7	MR621 740
clip				
upper	01-02B	1.60#		MU470 013
lower	01-02B	.75		MR200 300

PARTS: Order by color. LABOR: Time is for upper and lower pieces.

1 PARTS: Part is included with trim panel.

FUEL SYSTEM



NT01495

R&I fuel tank R&I OPERATIONS
m 3.0

PARTS AND R&R OPERATIONS

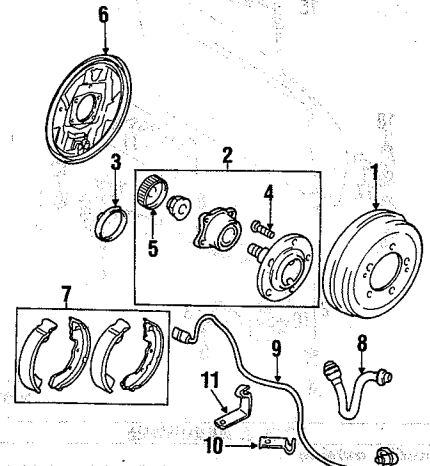
FUEL SYSTEM COMPONENTS

1 Tank assy				
2.4L	01	964.00	m 3.2	MR311 163
	02	735.00	m 3.2	MR473 985
3.0L	01	964.00	m 3.2	MR311 164
	02	755.00	m 3.2	MR473 986
2 bolt	01-02B	1.70		MS240 141
nut				
#1	01-02B	1.45		MS440 501
#2	01-02B	1.10		MS440 504
4 protector	01-02	36.25		MR271 381
5 Sensor	01-02	131.00#		MD345 741
6 Mount bracket				
vapor canister	01-02	9.60		MR342 757
7 Cover				
vapor canister	01-02	23.70		MR342 920
8 mount strap	01-02R	30.10		MR271 383
	01-02L	30.10		MR271 382
9 Fuel pump assy				
2.4L	01	465.00	m 1.3	MR508 282
	02	390.00	m 1.3	MR508 284
3.0L	01	465.00	m 1.3	MR508 283
	02	414.00	m 1.3	MR508 285
10 gasket	01-02	7.10#		MR271 387
11 bracket	01-02	170.00#		MR431 090
12 lock ring	01-02	12.10#		MR271 388
13 Filter	01-02	40.25#		MR431 089
14 Fuel pump				
2.4L	01-02	189.00#	m 1.3	MR431 087
3.0L	01-02	189.00#	m 1.3	MR431 088
brace	01-02	6.25#		MR431 093
15 sending unit	01-02	87.70#		MR487 606
16 Cup	01-02	45.60#		MR431 091
17 Filler neck	01-02	84.20	m 0.7	MR487 081
gasket	01-02	5.10		MB504 238
plate	01-02	7.60		MB504 932
bolt	01-02B	D1.25		MS240 204
18 protector	01-02	21.10		MR487 999

19 Filler cap	01-02	13.75		MR503 001
20 Connector hose	01-02	18.35		MR271 412

PARTS: Part included in fuel pump assembly.

REAR SUSPENSION



NT01500

ADD IF REQUIRED

Wheel alignment			
align rear wheels	01-02	m 1.0	
align four wheels	01-02	m 2.0	
Bleed brake system	01-02	m 0.5	

OVERHAUL OPERATIONS

O/H suspension			
one side	01-02B	m 2.8	
both sides	01-02	m 5.5	

R&I OPERATIONS

R&I suspension			
one side	01-02	m 2.0	
both sides	01-02	m 3.8	

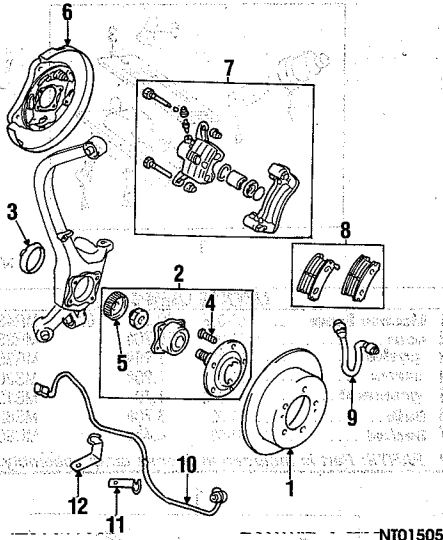
PARTS AND R&R OPERATIONS

BRAKE COMPONENTS

DRUM BRAKES

1 Drum	01-02B	115.00	m 0.6	MB895 659
2 Hub assy				
w/o ABS	01-02B	162.00	m 1.0	MR455 807
w/ABS	01-02B	184.00	m 1.0	MR455 808
3 cap	01-02B	4.95		MB864 970
4 Wheel stud	01-02B	2.85#		MB911 495
5 ABS rotor	01-02B	19.25#		MR249 451
6 Backing plate	01-02R	38.25	m 1.2	MR128 623
	01-02L	38.25	m 1.2	MR128 622
7 Brake shoes	01-02B	68.75		MR128 640
8 Brake hose	01-02B	16.35	m 0.9	MR129 797
9 ABS sensor	01-02R	210.00	m 1.0	MR475 234
	01-02L	210.00	m 1.0	MR475 233
clip				
#1	01-02B	5.00		MR289 911
#2	01-02R	3.45		MR289 834
	01-02L	3.20		MR289 833

PARTS: Part included in hub assembly.

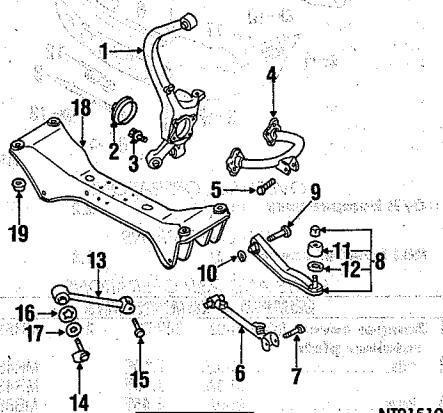


NT01505

DISC BRAKES
BRAKE COMPONENTS

1 Rotor					
LX	01-02B	124.00	m 0.8	MB928 716	
LXi	01-02B	124.00	m 0.8	MB928 716	
2 Hub Assy					
w/o ABS	01-02B	162.00	m 0.8	MR455 807	
w/ABS	01-02B	184.00	m 0.8	MR455 808	
3 cap	01-02B	4.95		MB864 970	
4 Wheel stud	01-02B	2.85#		MB911 495	
5 ABS rotor	01-02B	19.25#		MR249 451	
6 Splash shield					
	01-02R	73.20†	m 0.1	MB950 208	
	01-02L	73.20†	m 0.1	MB950 207	
7 Caliper					
	01-02R	325.00	m 0.5	MR129 584	
	01-02L	349.00	m 0.5	MR129 583	
8 Brake pads					
	01	103.00		MR389 580	
	02			MR569 780	
9 Brake hose	01-02B	16.10	m 0.7	MR129 761	
10 ABS sensor					
	01-02R	210.00	m 1.0	MR475 234	
	01-02L	210.00	m 1.0	MR475 233	
clip					
11 #1	01-02B	5.00		MR289 911	
11 #2					
	01-02R	3.45		MR289 834	
	01-02L	3.20		MR289 833	

PARTS: Part included in hub assembly.
† LABOR: After hub and rotor are removed.



NT01510

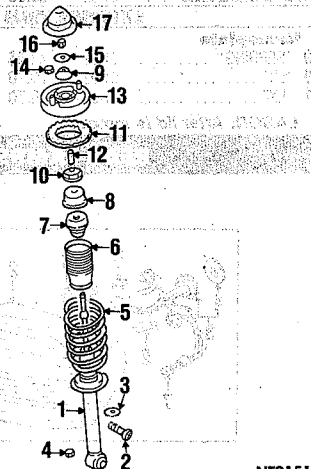
SUSPENSION COMPONENTS

1 Knuckle					
w/o ABS	01-02R	182.00	m 1.6	MR519 522	
	01-02L	182.00	m 1.6	MR519 521	
w/ABS	01-02R	184.00	m 1.6	MR519 520	
	01-02L	184.00	m 1.6	MR519 519	
2 cap	01-02B	4.95		MB864 970	
3 bolt					
m12x45	01-02B	3.25		MU140 016	
m12x62	01-02B	2.00		MR297 337	
4 Upper cntrl arm					
	01-02R	185.00	m 1.0	MR369 956	
	01-02L	185.00	m 1.0	MR369 955	
5 bolt	01-02B	4.60		MB844 521	
nut	01-02B	1.70		MF430 123	
washer	01-02B	1.50		MS450 993	
mount bolt	01-02B	1.50		MS240 090	

6 Lower arm					
w/o ABS	01-02R	26.95	m 0.9	MR369 663	
	01-02L	26.95	m 0.9	MR369 662	
w/ABS	01-02R	51.10	m 0.9	MR369 665	
	01-02L	51.10	m 0.9	MR369 664	
7 mount bolt					
inner	01-02B	4.85		MB844 522	
outer	01-02B	4.85		MB844 524	
nut	01-02B	1.75		MU431 503	
8 Lower link					
	01-02R	44.25	m 0.9	MR162 572	
	01-02L	44.25	m 0.9	MR162 571	
9 bolt	01-02B	7.35		MB911 314	
10 plate	01-02B	2.85		MB911 283	
washer	01-02B	1.35		MS450 992	
11 Dust cover	01-02B	7.45†		MB911 286	
12 snap ring	01-02B	2.10†		MB808 089	
nut	01-02B	3.25†		MR130 510	
13 Trailing arm	01-02B	47.25	m 0.9	MB864 731	
mount bolt					
front	01-02B	9.00		MB844 532	
rear	01-02B	4.60		MB844 521	
stopper					
inner	01-02B	1.00		MR455 284	
outer	01-02B	1.25		MR455 285	
washer	01-02B	1.20		MS450 994	
nut	01-02B	2.10		MB303 958	
18 Susp crossmember	01-02	234.00†	m 3.0	MR369 145	
19 nut	01-02	2.45		MB242 260	

† PARTS: Part included with lower link.

‡ LABOR: Time includes R&I exhaust.

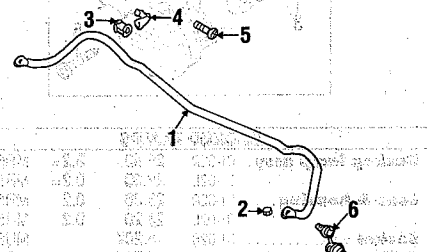


NT01515

SHOCKS & COMPONENTS

1 Shock absorber					
2.4L	01-02B	74.70†	m 1.2	MR455 123	
3.0L	01-02B	74.70†	m 1.2	MR455 124	
2 bolt	01-02B	3.60		MB515 260	
3 washer	01-02B	1.60		MB176 375	
4 nut	01-02B	2.60		MB515 719	
5 Spring	01-02B	36.50†	m 1.2	MR455 131	
6 Dust cover	01-02B	9.25		MB864 787	
7 Damper	01-02B	6.00		MB949 043	
8 Cup	01-02B	6.60		MB338 614	
Bushing					
upper	01-02B	2.25		MR455 185	
lower	01-02B	4.70		MR455 186	
11 Upper seat	01-02B	9.25		MB910 184	
12 Collar	01-02B	2.50		MB871 748	
13 Insulator	01-02B	9.50		MR311 114	
14 nut	01-02B	1.70		MF434 105	
15 Washer	01-02B	1.45		MB910 887	
16 Top nut	01-02B	2.10		MS440 002	
17 Cap	01-02B	7.70		MB910 187	

† LABOR: R&R complete.



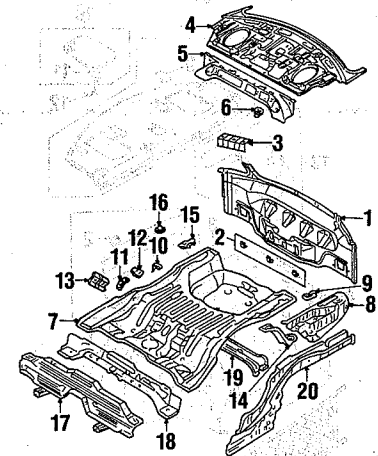
NT01520

STABILIZER BAR & COMPONENTS

1 Stabilizer bar	01-02	104.00	m 0.8	MR369 694	
-------------------------	-------	--------	-------	-----------	--

2 nut	01-02B	1.10		MS440 504	
3 bushing	01-02	2.75	m 0.8	MR272 717	
4 bracket	01-02B	4.60		MR369 748	
5 bolt	01-02B	1.85	m 0.4	MF241 281	
6 link	01-02B	37.70	m 0.4	MR333 762	

REAR BODY & FLOOR



NT01525

REFINISHING NOTES

Refr rear body panel

underside 01-02 p.8

OVERLAP OPERATIONS

R&R rear body panel

with 1 qtr panel off

deduct 01-02B 1.5

with 2 qtr panels off

deduct 01-02 3.0

PARTS AND R&R OPERATIONS

REAR BODY

1 Rear body panel	(p1.5) 01-02	205.00†	6.0	MR535 639	
Bumper bracket					
lower	01-02B	11.85		MB959 359	
side	01-02B	2.45		MR535 640	
4 Package tray	01-02	206.00		MR535 636	
5 support	01-02	170.00		MR535 637	
6 nut	01-02	1.20		MF434 114	
7 Rear floor pan. (p1.5)	01-02	279.00†	17.5	MR376 462	
8 brace					
	01-02R	60.70		MB907 646	
	01-02L	53.10		MR535 265	
Bracket					
exhaust pipe	01-02	4.85		MB959 186	
Seat bracket					
rear seatback					
front	01-02R	1.95		MR391 504	
	01-02L	1.95		MR391 503	
center	01-02	1.95		MR391 502	
seat belt	01-02B	14.00		MR325 781	
Jack bracket					
front	01-02	43.45		MB907 644	
rear	01-02	8.85		MR344 508	
16 Spare bracket	01-02	8.20		MB312 684	
17 Front c'member	01-02	240.00#	4.5	MR392 153	
18 Center c'member	01-02	134.00		MR414 345	
19 Rear crossmember	01-02	75.60		MB959 469	
20 Sidemember					
	01-02R	304.00†	s 7.0	MR535 268	
	01-02L	312.00†	s 7.0	MR535 267	

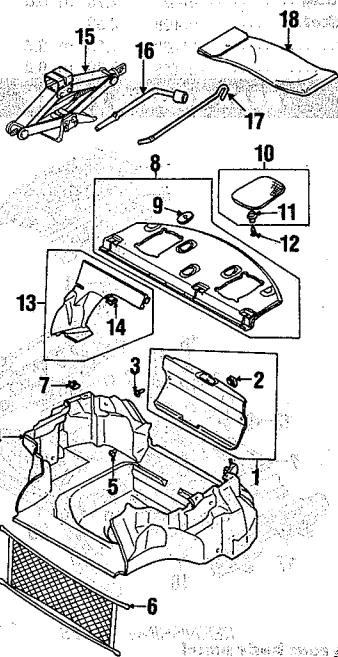
LABOR: After all necessary bolted on parts are removed.

† LABOR: After bumper, suspension, fuel tank and all necessary bolted on parts are removed.

‡ LABOR: After bumper, suspension, fuel tank and all necessary bolted on parts are removed. Time includes R&R rear panel.

†† LABOR: After bumper is removed.

CONTINUED



NT01530

R&I OPERATIONS

R&I trunk lid 01-02 0.5

PARTS AND R&I OPERATIONS

LID & COMPONENTS						
1	Trunk lid (p2.1) 01-02	409.00	1.0		MR535 730
2	bumper 01-02	3.35			MB402 060
3	damper 01-02	2.70			MB926 555
4	plug 01-02	D			MU670 031
5	Weatherstrip 01-02	37.85	0.5		MR432 920
6	Hinge 01-02R	45.20#	0.6		MR344 398
	 01-02L	45.20#	0.6		MR344 397
7	mount bolt 01-02B	2.00			MS240 052
8	nut 01-02B	1.45			MS440 522
9	Latch 01-02	26.75	0.4		MR432 855
10	striker 01-02	6.95			MR287 583
	bolt 01-02	1.70			MS240 391
11	Release cable 01-02	13.75	1.3		MR432 852
	clip 01-02B	1.25			MU481 073
12	Release handle 01-02	21.75	0.2		MR503 837
13	cover 01-02	7.00			MR462 912
14	grommet 01-02B	1.75			MU480 032
	screw 01-02	1.25			MF453 093
15	Torsion bar 01-02R	16.85	0.5		MR556 860
	clip 01-02L	16.85	0.5		MR556 859
	clip 01-02	1.60			MR415 167
16	Lock cylinder 01-02	169.00	0.4=		MR566 181
17	retainer 01-02	1.75			MB402 326
18	Alarm switch 01-02	25.35			MR432 211

EXTERIOR TRIM

19	Nameplate 01-02	22.45	0.2		MR492 607
20	"LX" 01-02	10.70	0.2		MR478 638
21	"LX" 01-02	10.70	0.2		MR478 637

LABOR: After lid is removed.

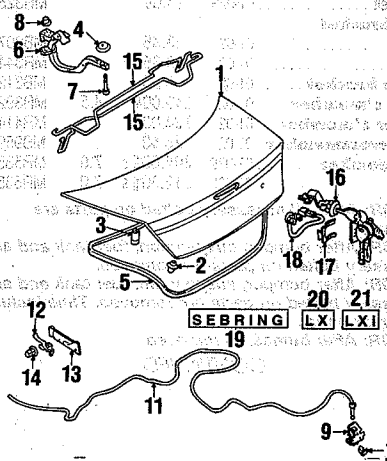
REAR BODY & FLOOR (CONT)

INTERIOR TRIM

1	Rear trim panel 01-02	12.95	0.2		MR621 735
2	clip 01-02B	1.60			MU470 013
3	retainer 01-02B	1.25			MR740 657
4	Liner 01-02	120.00	0.4		MR621 734
5	clip 01-02B	2.20			MB608 373
6	Cargo net 01-02	66.20			MR190 904
7	anchor 01-02	.85			MR381 533
8	Shelf 01-02	109.00	0.3		MR16 489
9	cover 01-02B	4.00			MR624 967
10	Speaker grille 01-02R	9.60	0.3		MR621 749
	 01-02L	10.10	0.3		MR621 748
11	clip 01-02B	1.45			MB801 523
12	screw 01-02B	50#			MS450 934
13	Partition panel 01-02R	8.85	0.3		MR621 705
	 01-02L	8.85	0.3		MR621 704
14	clip 01-02B	1.60			MU470 013
15	Jack Assy 01-02	45.20	0.2		MR244 400
16	Wrench 01-02	7.35			MR244 375
17	Extension 01-02	3.60			MR297 804
18	Storage bag 01-02	6.85			MR403 998

PARTS: Part is included with speaker grille.
 † PARTS: Part is included with liner.
 ‡ PARTS: Part is included with rear trim panel.
 † PARTS: Part is included with shelf.
 © PARTS: Part is included with partition panel.

TRUNK LID

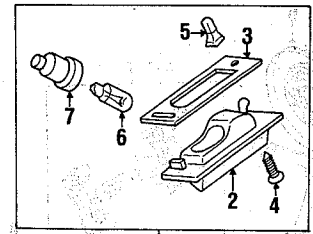


NT01535

Refn trunk lid underside 01-02 p.1

REFINISHING NOTES

Please contact our Product Support Group if you require assistance locating, interpreting or using any information contained in the Estimating Data. Toll Free Number: 1-800-426-6867.

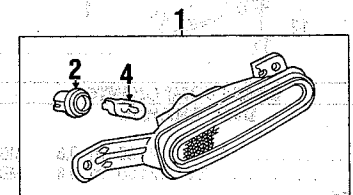


NT01555

LICENSE LAMPS

1	License lamp 01-02B	29.50	0.2=		MR439 548
2	Lens 01-02	20.70#			MR361 408
3	gasket 01-02B	1.95#			MR361 409
4	screw 01-02B	1.20#			MS200 335
5	grommet 01-02B	1.70			MB128 773
6	Bulb 01-02	3.70#			MS820 080
7	Socket 01-02	4.45#			MU805 818

PARTS: Part is included in license lamp assembly.



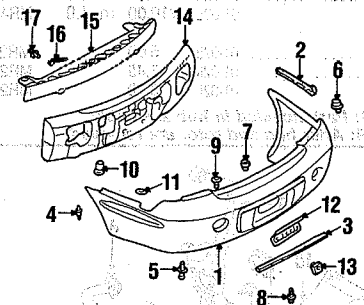
NT01560

HIGH MOUNTED STOP LAMP

1	High mount lamp 01-02	46.85	0.3=		MR441 233
2	socket 01-02	4.45#			MU805 818
3	nut 01-02	1.35			MS440 502
4	Bulb 01-02	5.60#			MS820 079

PARTS: Part is included with high mount stop lamp.

REAR BUMPER



NT01565

OVERHAUL OPERATIONS

O/H bumper Assy 01-02 2.2

R&I OPERATIONS

R&I bumper cover 01-02 1.8

PARTS AND R&I OPERATIONS

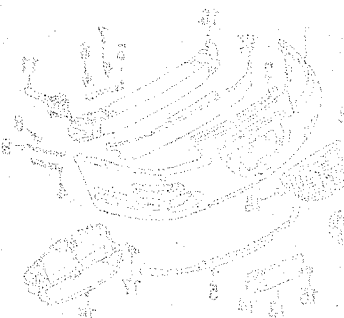
BUMPER & COMPONENTS

1	Bumper cover (p3.0) 01-02	369.00	2.0		MR516 342
2	retainer plate 01-02R	7.10			MR432 900
	side 01-02L	7.10			MR432 899
3	lower 01-02	6.45			MB888 343
4	clip 01-02B	1.95			MB475 404
5	#1 01-02B	2.10			MB547 806
6	#3 01-02	.75			MR200 300
7	#4 01-02	1.25			MR478 262
8	bolt 01-02B	1.95			MU140 009
	#1 01-02B	1.35			MR217 056
9	grommet 01-02B	.95			MR478 263
10	#2 01-02	1.60			MU480 035
11	#3 01-02B	.75			MB480 177
	screw 01-02	1.35			MS452 347
12	License bracket 01-02	10.75	0.2		MR348 021
13	grommet 01-02	1.60			MU480 007
	bolt 01-02B	1.75			MS240 602
14	Impact bar 01-02	76.75	2.1		MR462 387
	bolt 01-02B	2.10			MU240 156

15 Reinforcement	01-02	265.00#	2.2	MR557 943
16 plate	01-02	1.50		MB934 538
17 clip	01-02B	2.10		MB547 806

LABOR: Time is for overhaul.
1# LABOR: Included in overhaul time.

Code	Description	Time	Rate	Total
88R	REAR BUMPER			
88S	REAR BUMPER BRACKET			
88T	REAR BUMPER COVER			
88U	REAR BUMPER MOUNTING			
88V	REAR BUMPER STRUT ROD			
88W	REAR BUMPER WASH/WAX			
88X	REAR BUMPER WELD			
88Y	REAR BUMPER WIRE			
88Z	REAR BUMPER WOOD			



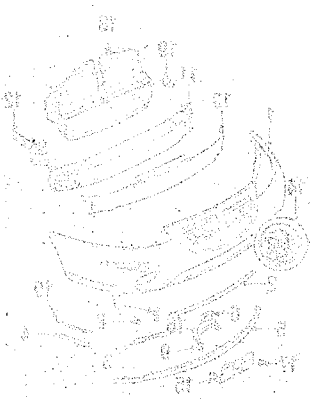
Code	Description	Time	Rate	Total
88R	REAR BUMPER			
88S	REAR BUMPER BRACKET			
88T	REAR BUMPER COVER			
88U	REAR BUMPER MOUNTING			
88V	REAR BUMPER STRUT ROD			
88W	REAR BUMPER WASH/WAX			
88X	REAR BUMPER WELD			
88Y	REAR BUMPER WIRE			
88Z	REAR BUMPER WOOD			



LABOR: Time is for overhaul.
1# LABOR: Included in overhaul time.

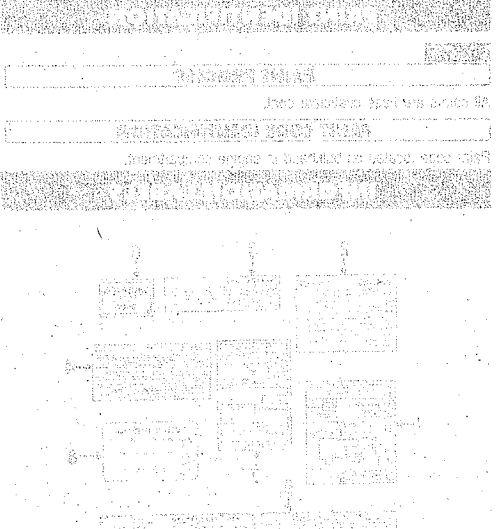
Code	Description	Time	Rate	Total
89R	FRONT BUMPER			
89S	FRONT BUMPER BRACKET			
89T	FRONT BUMPER COVER			
89U	FRONT BUMPER MOUNTING			
89V	FRONT BUMPER STRUT ROD			
89W	FRONT BUMPER WASH/WAX			
89X	FRONT BUMPER WELD			
89Y	FRONT BUMPER WIRE			
89Z	FRONT BUMPER WOOD			

LABOR: Time is for overhaul.
1# LABOR: Included in overhaul time.



Code	Description	Time	Rate	Total
89R	FRONT BUMPER			
89S	FRONT BUMPER BRACKET			
89T	FRONT BUMPER COVER			
89U	FRONT BUMPER MOUNTING			
89V	FRONT BUMPER STRUT ROD			
89W	FRONT BUMPER WASH/WAX			
89X	FRONT BUMPER WELD			
89Y	FRONT BUMPER WIRE			
89Z	FRONT BUMPER WOOD			

Code	Description	Time	Rate	Total
90R	REAR AXLE ASSEMBLY			
90S	REAR AXLE SHOCKS			
90T	REAR AXLE SPRINGS			
90U	REAR AXLE STRUT RODS			
90V	REAR AXLE WASH/WAX			
90W	REAR AXLE WELD			
90X	REAR AXLE WIRE			
90Y	REAR AXLE WOOD			



Code	Description	Time	Rate	Total
90R	REAR AXLE ASSEMBLY			
90S	REAR AXLE SHOCKS			
90T	REAR AXLE SPRINGS			
90U	REAR AXLE STRUT RODS			
90V	REAR AXLE WASH/WAX			
90W	REAR AXLE WELD			
90X	REAR AXLE WIRE			
90Y	REAR AXLE WOOD			

GROUP INDEX

AIR CONDITIONER & HEATER
 2.0 LITER 185
 2.5 LITER 186
BACK GLASS 203
CONSOLE 198
COOLING
 2.0 LITER 183
 2.5 LITER 184
COWL 196
DOOR 202
ELECTRICAL 188
EMISSION SYSTEM
 2.0 LITER 192
 2.5 LITER 193
ENGINE / TRANSAXLE
 2.0 LITER 190
 2.5 LITER 191

EXHAUST SYSTEM
 2.0 LITER 192
 2.5 LITER 192
FENDER 187
FRONT BUMPER 182
FRONT LAMPS 182
FRONT SUSPENSION 193
FUEL SYSTEM 204
HOOD 187
INFORMATION LABELS 182
INSTRUMENT PANEL 197
PAINT IDENTIFICATION 182
PILLARS, ROCKER & FLOOR 201
QUARTER PANEL 203
REAR BODY & FLOOR 206
REAR BUMPER 207

REAR LAMPS 206
REAR SUSPENSION 204
RESTRAINT SYSTEMS 199
ROOF 200
SEATS & TRACKS 199
STEERING 195
STEERING COLUMN 195
STEERING WHEEL 196
TRUNK LID 206
UNDERHOOD DIAGRAM 187
WHEELS 193
WINDSHIELD 196

PAINT IDENTIFICATION

DR3NT95

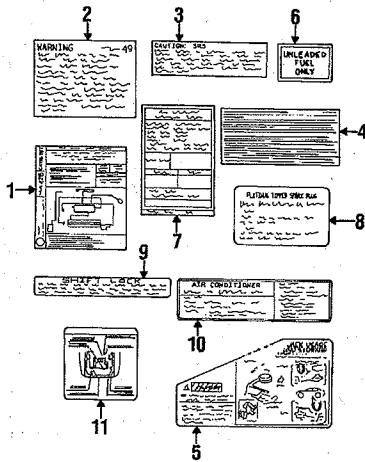
PAINT PROCESS

All colors are base coat/clear coat.

PAINT CODE IDENTIFICATION

Paint code located on bulkhead in engine compartment.

INFORMATION LABELS



OVERLAP OPERATIONS

Install all labels 95-00 0.3

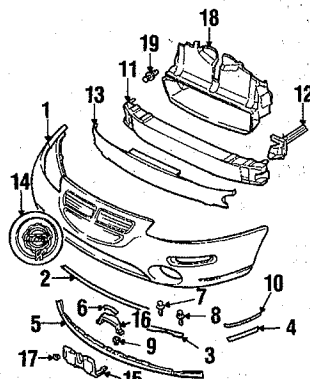
PARTS AND R&R OPERATIONS

LABELS

Label	Description	Part No.	QTY	Price	Code	
1	emission label					
	manual trans	95	4.45#	0.2	46699 12	
	auto trans	95	4.45#	0.2	46699 11	
	all	96	5.00#	0.2	MD333 314	
	2.0 liter	97	4.00#	0.2	46699 51	
		98	3.75#	0.2	48910 79AA	
		99	3.25#	0.2	48919 05AA	
	2.5 liter	97-98	4.00#	0.2	45915 55	
		99	3.50#	0.2	48919 02AA	
	Federal	00	2.95#	0.2	45917 53AA	
	California	00	2.95#	0.2	45917 54AA	
2	air bag					
	warning	95-99	4.20#	0.2	MB682 049	
	caution	95-00	1.95#	0.2	MB682 048	
	system information	95-00	1.50#	0.2	MR197 112	
	jack caution	95-00	1.75#	0.2	MR130 699	
	"UNLEADED FUEL ONLY"	95-96	2.75#	0.2	MD155 922	
	7	tire pressure				
		2.0 liter	95-99	1.10#	0.2	MR130 711
		2.5 liter	95-00	1.10#	0.2	MR130 713
		spark plug caution	95	2.75#	0.2	MD119 204
			96-00	2.00#	0.2	MD325 016
shift lock		95-00	1.45#	0.2	MB580 890	
refrigerant caution						
2.0 liter		95-99	1.25#	0.2	MR227 225	
2.5 liter		95-00	1.25#	0.2	MR227 224	
11		service points				
		2.0 liter	95-96	3.35#	0.2	MR130 026
	2.5 liter	95-96	3.35#	0.2	MR130 720	

PARTS: Order by application. LABOR: Time is for application of first label. See OVERLAP OPERATIONS for multiple labels.

FRONT BUMPER



OVERHAUL OPERATIONS

O/H bumper assy 95-00 2.0

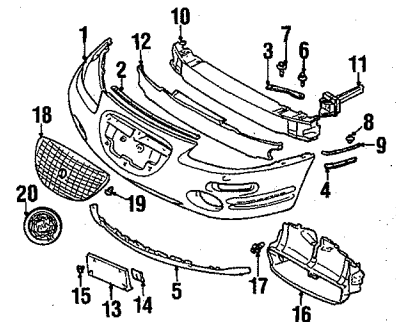
R&I OPERATIONS

R&I cover assy 95-00 1.4

PARTS AND R&R OPERATIONS

BUMPER & COMPONENTS

1995-96	Part No.	QTY	Price	Code
1	Bumper cover (p2.5)	95-96	489.00@	1.7 MR208 265
2	upper retainer			
	center	95-96	3.60†	MB934 091
	side	95-96B	2.25†	MB913 810
	end	95-96R	3.10†	MR118 237
		95-96L	3.10†	MR118 236
5	lower retainer	95-96	13.10†	MB914 136
	short	95-96	4.00†	MB909 991
7	retainer clip			
	short, 8X20mm	95-96	2.00	MB888 869
8	long, 8X25.5mm	95-96	2.00	MR138 807
9	grommet	95-96	1.85	MU480 001
	nut	95-96	1.35	MS440 502
	Pad	95-96	1.10	MB934 539
10	Reinforcement	95-96	250.00#	2.0 MB913 814
12	stay	95-96	34.25†	0.2 MB913 804
13	Cushion	95-96	17.00†	0.2 MB934 106
14	Nameplate	95-96	13.35†	0.2 MB882 530
15	License bracket	95-96	26.60	0.2 MR118 213
16	bracket	95-96	7.25	MR118 214
17	grommet	95-96	1.60	MU480 007
18	Air duct	95-96	22.70	0.2 MB909 680
19	retainer	95-96	2.10	MB547 806
#	LABOR: Time is for overhaul.			
†	LABOR: After bumper is removed.			
‡	LABOR: Included in overhaul time.			
+	LABOR: Time is after bumper cover is removed.			
@	LABOR: Includes R&I R&R grille, cushion and D&R fender liners.			



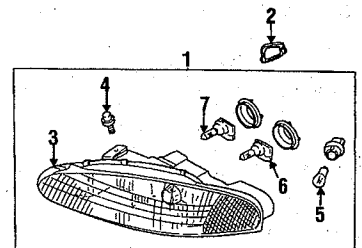
NT95012

BUMPER & COMPONENTS

1997-00

1997-00	Part No.	QTY	Price	Code
1	Bumper cover (p2.5)	97-00	364.00@	1.7 MR296 446
2	upper retainer			
	center	97-00	3.60†	MB934 091
	side	97-00B	2.25†	MB913 810
	end	97-00R	3.10†	MR118 236
		97-00L	3.10†	MR118 237
5	lower retainer	97-00	13.10†	MB914 136
6	retainer clip			
	short, 8x20mm	97-00	2.00	MB888 869
7	long, 8x25.5mm	97-00	2.00	MR138 807
8	grommet	97-00	1.85	MU480 001
9	Pad	97-00	1.10	MB934 539
10	Reinforcement	97-00	250.00#	2.0 MB913 814
11	stay	97-00	34.25†	0.2 MB913 804
12	Cushion	97-00	27.45†	0.2 MR248 174
13	License bracket	97-00	26.60	0.2 MR248 180
14	bracket	97-00	6.20	MB545 964
15	grommet	97-00	1.60	MU480 007
16	Air duct	97-99	22.70	0.2 MB909 680
		00	24.75	0.2 MR248 224
17	retainer	97-00	2.10	MB547 806
18	Grille	97-00	139.00†	0.3 MR248 221
19	clip	97-00	2.10	MB547 806
20	Nameplate	97-00	13.20	0.2 MR300 332
#	LABOR: Time is for overhaul.			
†	LABOR: After bumper is removed.			
‡	LABOR: Included in overhaul time.			
+	LABOR: Time is after bumper cover is removed.			
@	LABOR: Includes R&I R&R grille, cushion and D&R fender liners.			

FRONT LAMPS



NT95015

ADD IF REQUIRED
 Aim headlamps 95-00 0.5