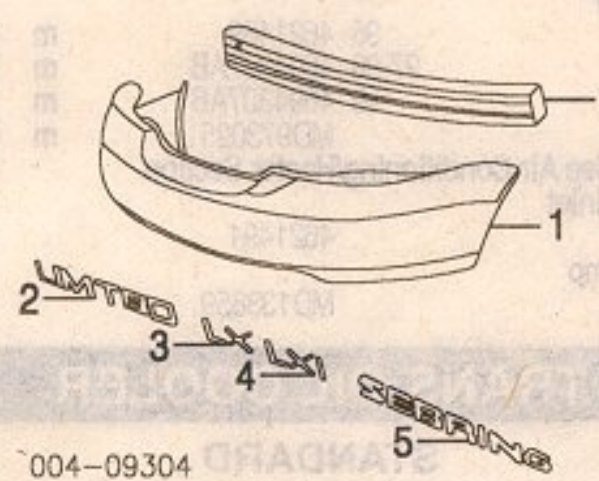


#Includes R&I/R&R Combination Lamp Assemblies
 R&I Bumper Assy..... #1.3
 #Includes R&I Rear Cover Assy
 O/H Bumper Assy (Includes R&I)..... #2.0
 #Includes R&I/R&R Combination Lamp Assemblies
 NOTE: All Parts in this section are included in overhaul unless noted otherwise.



1	Cover, Rear (P) (P) Paint to Match Nameplate (Adhesive) 2001	4805449AA	1.8	325.00
2	"LIMITED"	4805556AA	2	23.25
3	"LX"	4805557AA	2	15.60
4	"LXI"	4805554AB	2	8.95
5	"Sebring"	4805552AA	2	25.20
	2002-See Luggage Lid Section			
	Absorber, Impact	4805451AA	IOH	104.00
6	Bar, Reinforcement	4805813AA	IOH	76.45
	Screw, Reinf Bar Mtg (3)	6503819		1.70
	Nut, Reinf Bar (4)	6101446		2.10

SEBRING CONVERTIBLE
 1996-00

SECTION INDEX

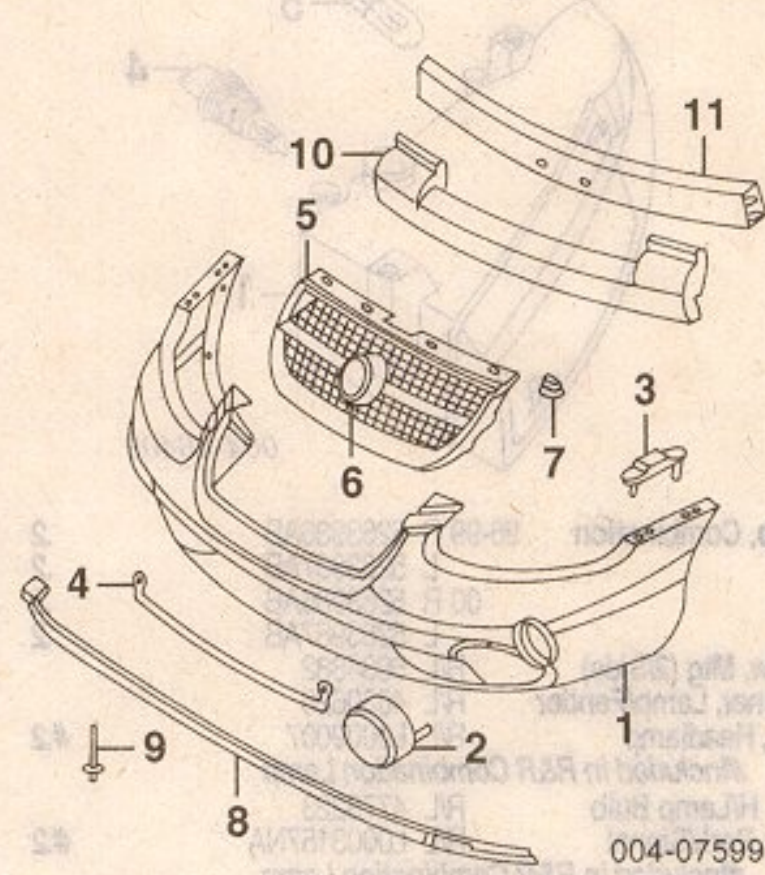
A/C /HEATER.....	116
A/C REFRIGERANT CAPACITIES.....	116
ABS/BRAKES.....	118
AIR BAG SYSTEM.....	118
AIR CLEANER.....	121
CENTER CONSOLE.....	123
CLEAR COAT IDENTIFICATION.....	115
CONVERTIBLE TOP.....	126
COOLING.....	116
COWL & DASH.....	122
CRUISE CONTROL SYSTEM.....	118
ELECTRICAL.....	121
EMISSION SYSTEM.....	121
ENGINE/TRANS.....	120
ENGINE/TRANS MOUNTS.....	120
EXHAUST.....	121
FRONT BUMPER.....	115
FRONT DOOR.....	125
FRONT DRIVE AXLE.....	119
FRONT FENDER.....	117
FRONT INNER STRUCTURE.....	117
FRONT LAMPS.....	116
FRONT STEERING LINKAGE/GEAR.....	119
FRONT SUSPENSION.....	119
FUEL TANK.....	128
GRILLE.....	115
HOOD.....	116
INFORMATION LABELS.....	115
INSTRUMENT PANEL.....	122
LUGGAGE LID.....	128
PAINT CODE LOCATION.....	115
QUARTER GLASS.....	127
QUARTER PANEL.....	127
REAR BODY.....	128
REAR BUMPER.....	129
REAR LAMPS.....	129
REAR SUSPENSION.....	128
ROCKER/PILLARS/FLOOR.....	124
SEAT.....	124
SEAT BELTS.....	125
SPECIAL CAUTIONS.....	115
STEERING PUMP.....	119
STEERING WHEEL/COLUMN.....	120
TRANS OIL COOLER.....	116
UNDERHOOD DIMENSIONS.....	117
WHEEL.....	118
WINDSHIELD.....	122

w/Calif Emission	96 4591295	4.35
	97 4792518	4.00
	98 4891110AA	3.75
	99 4591510AA	3.20
	00 4591487AA	3.75
w/o Calif Emission	96 4591504	4.35
	97 4792516	4.00
	98 4891108AA	3.75
	99 4591498AA	3.20
	00 N.A.	0.00
	4592114	3.50
Fan Caution†		
†Located Under Hood		
Unleaded Fuel Only†	4696812	2.75
†Located on Fuel Door		

FRONT BUMPER

Use Procedure Explanations 1 and 28 with the following text.
 Refinish Front Cover..... 2.3
 R&I Bumper Assy..... 1.0
 O/H Bumper Assy (Includes R&I)..... 1.8
 Add to O/H Bumper Assy
 w/Fog Lamps..... .3

NOTE: All Parts in this section are included in overhaul unless noted otherwise.



1	Cover, Front (P) (P) Paint to Match	5288084	1.6	349.00
2	Cover, Fog Lamp Hole JX Model	R/L 5288118	.2	5.70
	Retainer, Lamp Cover (2/Side)	R/L 6502988		1.25
3	Retainer, Cover Upper	R/L 5288001		4.25
4	Support, Cover Lower	96-98 5288115		9.20
5	Grille-See Grille Section			
6	Emblem, Grille-See Grille Section			
7	Clip, Grille Mtg-See Grille Section			
8	Dam, Air	5288163	.3	16.45
9	Rivet, Air Dam (7)	96 6100266		1.45
	Screw, Air Dam (7)	97-00 6100286		2.25
10	Foam, Impact Absorbing	5263997	IOH	69.70
11	Reinforcement	5288491	#.2	187.00
	#w/Bumper Cover Removed			
	Mount Pkg, License Plate	5263998	#.2	16.10
	#Included in R&R Front Cover			

SPECIAL CAUTIONS

AIR BAGS

Refer to Procedure Explanation 29 for Supplemental Restraint/Air Bag Special Cautions.

PAINT CODE LOCATION

Paint code located on left door jamb.

CLEAR COAT IDENTIFICATION

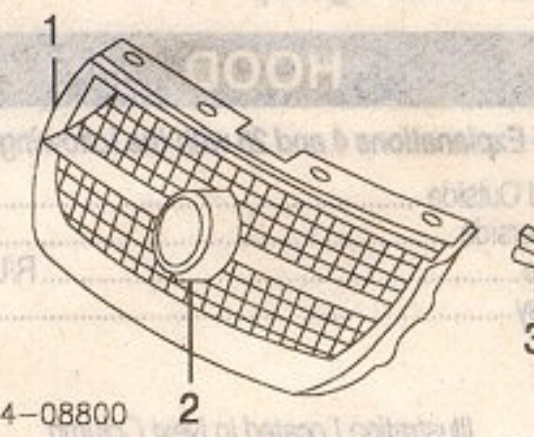
All colors are clear coat.

INFORMATION LABELS

Air Bag Maintenance	96 4696310	1.45
Air Bag Referral†	96-98 4897875AA	.50
	99-00 4787437AA	0.00
Air Bag Warning†	96 4775166	2.70
	†Located on Driver Side Sun Visor	
Accessory Drive Belt†	4573732	1.75
Emissions†		
4 Cyl		
w/Calif Emission	96 4591297	4.35
	97 4792525	4.00
	98 4891105AB	3.35
	99 4591497AA	3.20
w/o Calif Emission	96 4591296	4.35
	97 4792523	4.00
	98 4891104AB	3.50
	99 N.A.	0.00
6 Cyl		

GRILLE

R&I Grille..... #2
 #Included in R&R or O/H Front Bumper



1	Grille			
	1996-97	5264000	#.2	224.00
	1998†	QN88VAWAB	#.2	265.00
	1999-00			
	Black	QN88DX8AB	#.2	265.00
	Chrome	5288605AB	#.2	224.00
	Champagne Pearl	QN88VTEAB	#.2	265.00
	Deep Slate	QN88VAWAB	#.2	265.00
	Frost	QN88TTKAB	#.2	265.00
	Green	99 QN88SG8AB	#.2	265.00
		00 QN88XGRAB	#.2	265.00
	Inferno Red	QN88WELAB	#.2	265.00
	Silver	99 QN88MS4AB	#.2	265.00
		00 QN88WS2AB	#.2	265.00
	†Deep Slate listed, Order by Application			
	#Included in R&R or O/H Front Bumper			

SEBRING CONVERTIBLE 1996-00

GRILLE Cont'd

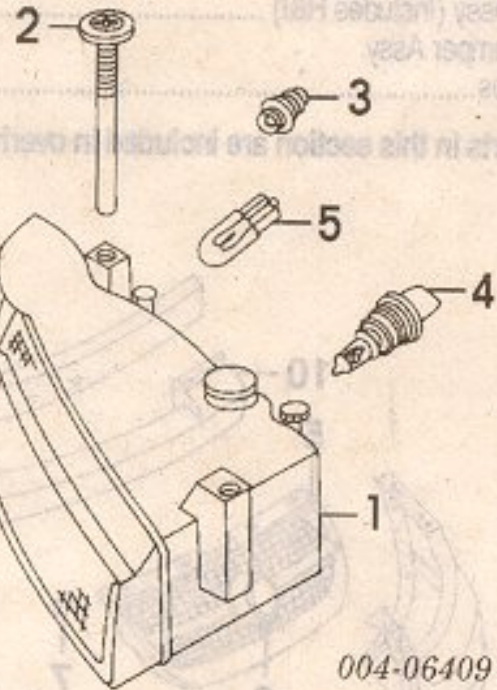
2 Emblem, Grille "Chrysler" Pentastar	5288164 96-98 5288167 99 5288940AA 00 5288940AA	#.1 #.1 #.1 #.1	15.00 14.45 54.85 54.85
<i>#Included in R&R Grille</i>			
3 Clip, Grille Mtg	6502988		1.25
<i>As Required</i>			

FRONT LAMPS

COMBINATION LAMP

Aim Lamps	4
R&L Combination Lamp Assy	R/L 2

NOTE: R&R Does Not include aim lamps.

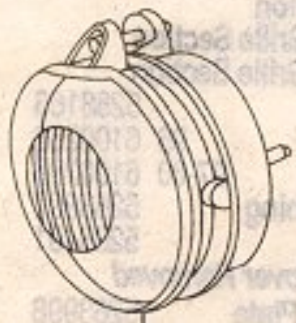


004-06409

1 Lamp, Combination	96-99 R 5263986AB L 5263987AB 00 R 5263986AB L 5263987AB	2 2 2 2	332.00 332.00 332.00 332.00
2 Screw, Mtg (2/Side)	R/L 6034882		5.35
3 Retainer, Lamp/Fender	R/L 4630626		1.20
4 Bulb, Headlamp	R/L L0009007	#.2	10.70
<i>#Included in R&R Combination Lamp</i>			
Seal, H/Lamp Bulb	R/L 4778223		6.45
5 Bulb, Park/Signal	R/L L0003157NA	#.2	1.70
<i>#Included in R&R Combination Lamp</i>			
Panel, H/Lamp Mtg-See Front Inner Structure Section Module, DRL -See Front Inner Structure Section			

FOG LAMP

R&L Fog Lamp	R/L #.2
<i>#R&L Both .3, Included in R&R/OH Front Bumper Assy</i>	



004-07203

1 Lamp, Fog	R/L 5288078	#.2	93.75
<i>#Included in R&R/OH Front Cover, R&R Both .3</i>			
U-Nut, Mounting	R/L 6503912		1.75
Bulb	R/L L0009006	#.2	10.00
<i>#Included in R&R Fog Lamp</i>			

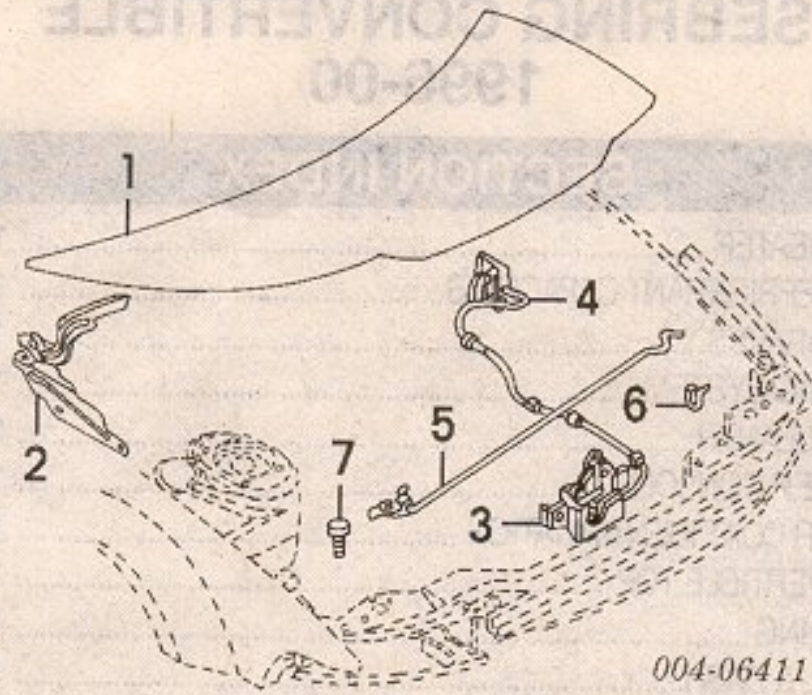
HOOD

Use Procedure Explanations 4 and 28 with the following text.

Refinish Hood Outside	2.4
Add for Underside	1.2
Refinish Hinge	R/L 4
R&L Hood Assy	4

Illustration Located in Next Column

1 Panel, Hood	96-98 4655861AC 99 4655861AC 00 4655861AC	1.0 1.0 1.0	522.00 522.00 522.00
Insulator	96-97 4724451AB 98-00 4724451AB	#.3 #.3	38.25 38.25
<i>#Included in R&R Hood Panel</i>			
Retainer, Insulator	6502842		1.85
<i>As Required</i>			
Pin, Insulator (14)	6504098		1.50
2 Hinge	R/L 4724320-1	#.2	25.60
<i>#w/Hood & Cowl Top Panel Removed</i>			
3 Latch	4724311AC	3	34.35

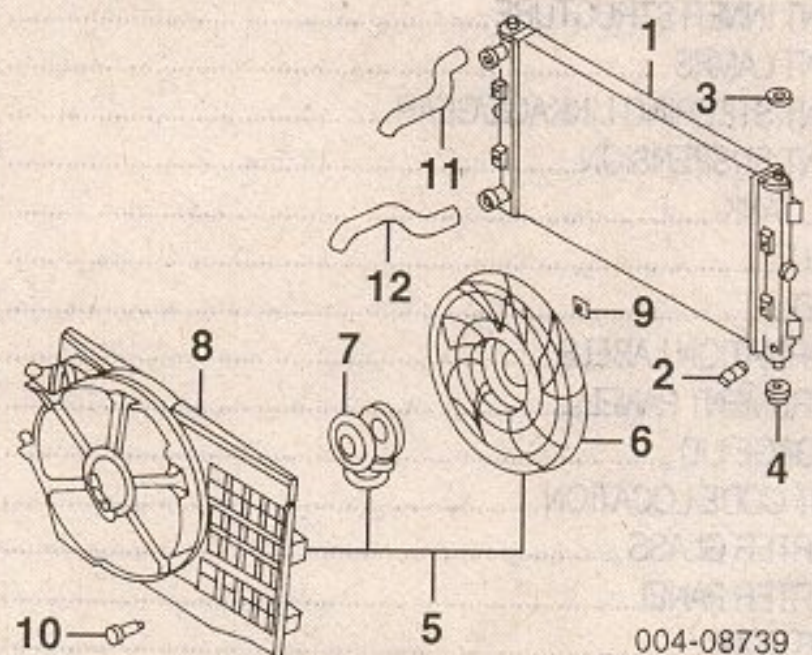


004-06411

4 Cable, Release	4697000	.6	36.35
5 Rod, Prop	4696298	.1	18.60
Bushing, Rod Pivot	4716486		1.75
6 Clip, Hold-Down	6035253		2.25
Seal, Hood Front	4646498		26.10
7 Bumper, Front	R/L 4696592	.1	2.85
Seal, Hood Rear-See Cowl & Dash Section			

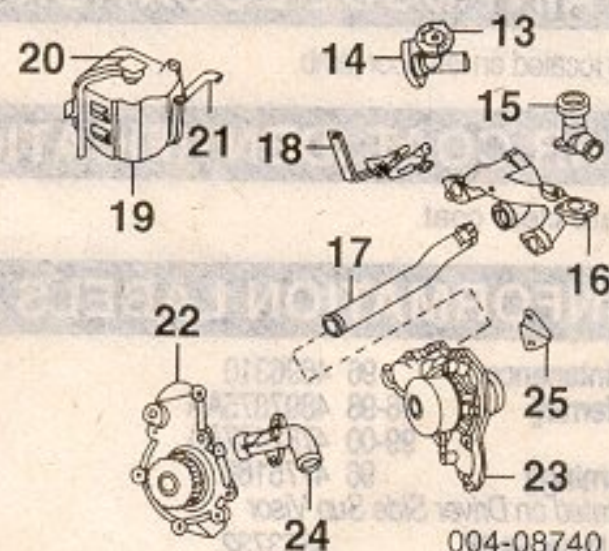
COOLING

Use Procedure Explanations 5 and 28 with the following text.



004-08739

1 Radiator	4 Cyl Man Trans Auto Trans 6 Cyl	4741108 4596399AA 4741110	1.2 1.4 1.4	310.00 310.00 325.00
2 Draincock		4644269		3.45
3 Bushing, Upper Mtg	R/L	4596836		4.25
4 Bushing, Lower Mtg	97-99 R/L 00 R/L	4741109 4596836		5.85 4.25
5 Module, Radiator Fan	99-00	5278537AA	.4	172.00
<i>#Includes Fan, Motor & Shroud</i>				
6 Blade, Fan	96-98	4798545	#.7	78.60
7 Motor, Fan	96-98	4863999	#.7	317.00
8 Shroud	96-98	4798544	#.7	83.20
<i>#R&R Complete, w/Radiator Removed .4</i>				
9 Clip, Fan/Motor		6500377		3.20
10 Clip, Retainer		4796299		1.60
Nut, Shroud Mtg (4)		4546552		2.00
11 Hose, Rad Upper	4 Cyl 6 Cyl	4596735 4546910	#.5 #.5	16.50 16.85
12 Hose, Rad Lower	4 Cyl 6 Cyl	4596734 4592160	#.7 #.7	19.20 32.20
<i>#R&R Upper & Lower 1.0</i>				



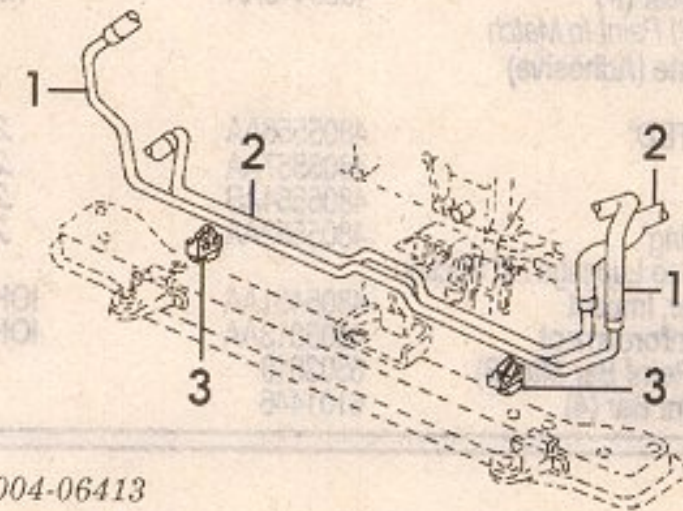
004-08740

13 Cap, Radiator	4 Cyl 6 Cyl	3781830 4596198	9.35 12.45	
Fitting, Cap/Outlet				
14 4 Cyl		4663501	12.70	
15 6 Cyl		MD308982	17.20	
16 Housing, Thermostat	6 Cyl	96-98 MD300969 99-00 MD344841	.7 .7	65.25 51.70
17 Pipe, Pump Inlet				

6 Cyl	MD198102	56.45
18 Pipe, By-Pass	MD322430	62.95
19 Tank, Coolant		
4 Cyl	4595575	.7 24.95
6 Cyl	4592165	.7 24.95
20 Cap, Tank	96-98 4796494 99-00 4596198	4.85 12.45
21 Hose, Overflow Pump, Water	4266423	132.00
22 4 Cyl	96 4621489 97-98 4694307AB 99 4694307AB	m 3.8 97.60 m 3.8 80.75 m 3.8 80.75
23 6 Cyl	MD973025	m 3.2 242.00
<i>Belt, Drive-See Air Conditioning/Heater Section</i>		
24 Pipe, Pump Inlet	4621491	16.95
25 Bracket, Pump	MD133859	4.25

TRANS OIL COOLER

STANDARD

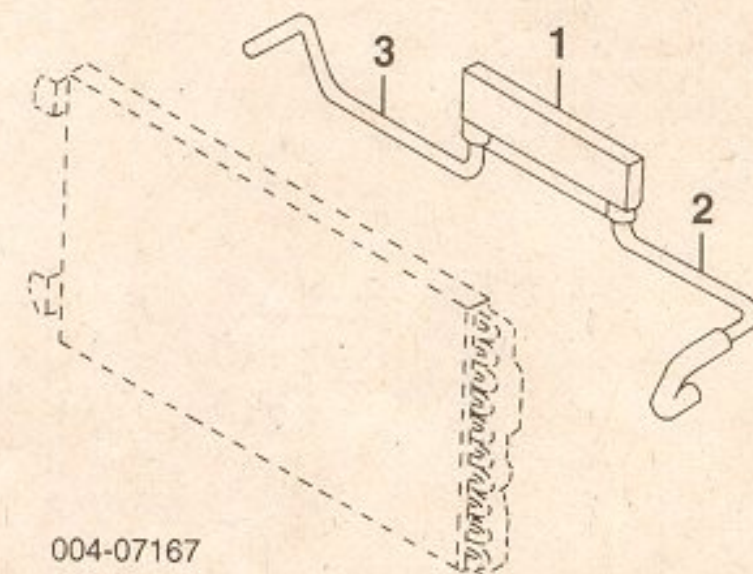


004-06413

Cooler, Oil-Serviced w/Radiator

1 Hose, Inlet	4 Cyl 6 Cyl	4592162 4546693	m #.6 m #.6	8.00 26.70
2 Hose, Outlet	4 Cyl 6 Cyl	4610051 96-99 4546814 00 4596420AB	m #.6 m #.6 m #.6	9.50 10.85 9.50
<i>#R&R Complete</i>				
3 Clip, Tube	6 Cyl	R/L 52002044		2.10

AUXILIARY



004-07167

1 Cooler, Auxiliary Oil Mtg Kit, Cooler	4856561 4796282AB	m .5	170.00 4.85
2 Hose, Inlet	96-98 4856541 99-00 5003610AA	m .6 m .6	29.10 23.50
3 Hose, Outlet	96-98 4856542 99-00 5003611AA	m .6 m .6	15.35 9.75

A/C REFRIGERANT CAPACITIES

A/C R-134a Refrigerant Capacity
1996-98: 28 Ozs (1.75 Lbs)
1999: 20 Ozs (1.25 Lbs)
2000: 19 Ozs (1.19 Lbs)

A/C HEATER

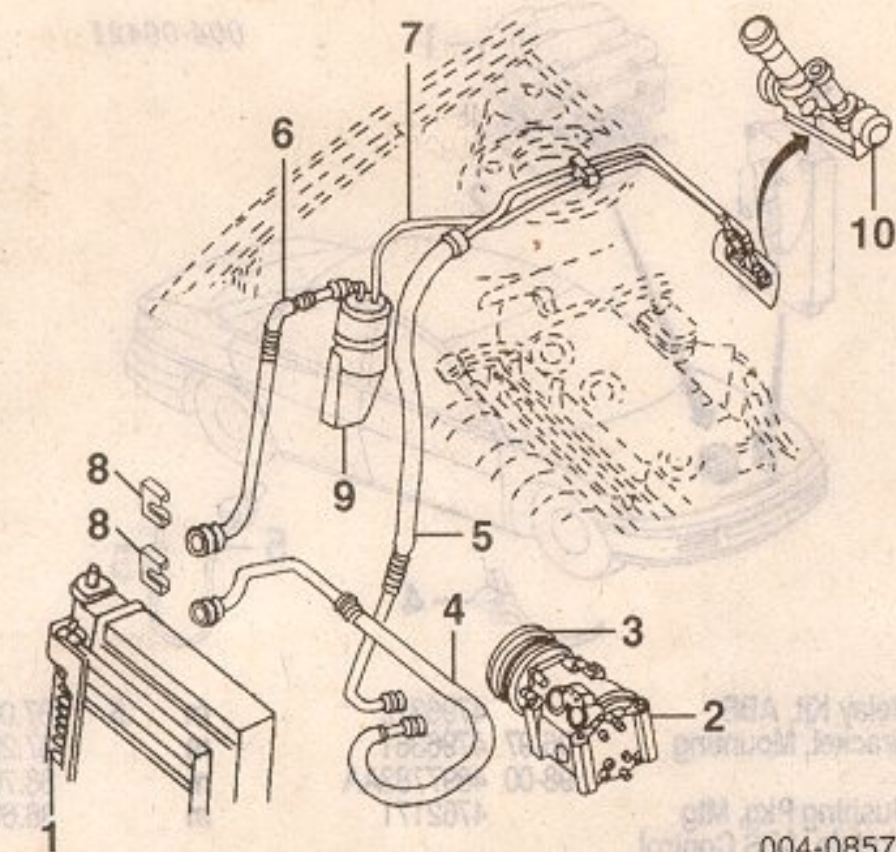
Use Procedure Explanation 6 with the following text.

Evacuate & Recharge System	m 1.4
Recover Refrigerant	m .3

NOTE: R&R/R&R Does Not include recover, evacuate and recharge system.

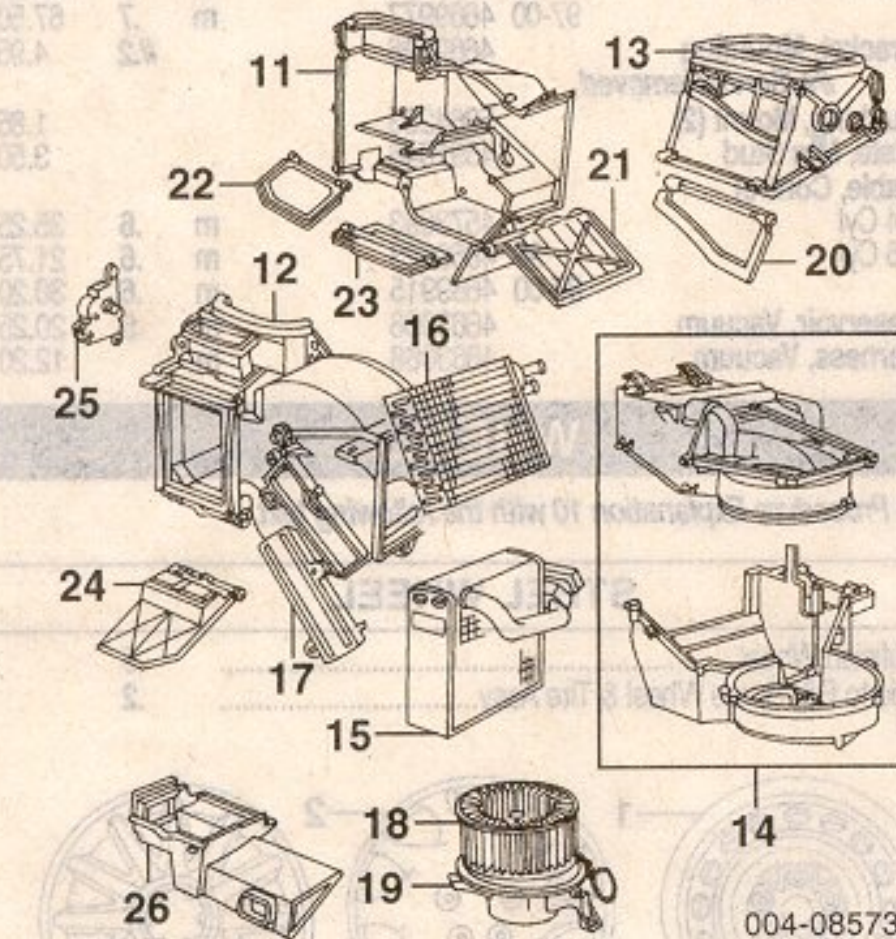
Illustration Located in Next Column

1 Condenser	96-99 5011395AB 00 5011395AB	m 1.1 m 1.1	384.00 384.00
2 Compressor	96-99 4595666 00 4596367AA	m #1.1 m 1.6	477.00 495.00
<i>#w/6 Cyl Add .5</i>			



3 Clutch, Compressor	4762849	m #4	185.00
<i>#w/Compressor Removed</i>			
Bracket, Mtg	4792077		34.00
Collar, Adjusting	4792139		4.95
Belt, Drive			
4 Cyl	4668276	.5	22.70
6 Cyl	4668324	.5	23.35
Pulley, Idler	4792112	m .6	15.95
Bushing, Pulley	33002201	m	3.00
Collar, Pulley			
6 Cyl	4792139	m	4.95
Spacer, Pulley			
6 Cyl	6034408	m	2.75
Bolt, Pulley Mtg			
4 Cyl	6101514		1.50
6 Cyl	6101622		1.70
4 Hose, Discharge			
4 Cyl	96 4596170	m #1.0	121.00
	97-99 5264772	m #1.0	162.00
	96 4596145	m #1.0	120.00
	97-99 5264771	m #1.0	119.00
	00 5264771AB	m #1.0	124.00

5 Hose, Suction			
4 Cyl	4596171	m #1.0	83.33
6 Cyl	4596146	m #1.0	83.33
6 Hose, Drier/Condenser	4796288	m #1.0	50.00
7 Line, Liquid			
Receiver Drier to Expansion Valve	4796287	m #1.0	50.00
<i>#Each Additional Hose or Line .5</i>			
8 Clip, Discharge Hose	4596152	m	2.10
Clip, Liquid Hose	4596151	m	1.95
Clip, Suction Line	4596153	m	2.20
9 Receiver/Drier	4596172	m .9	50.75
<i>#Includes Bracket</i>			
10 Valve, Expansion	4596192	m 1.0	68.00



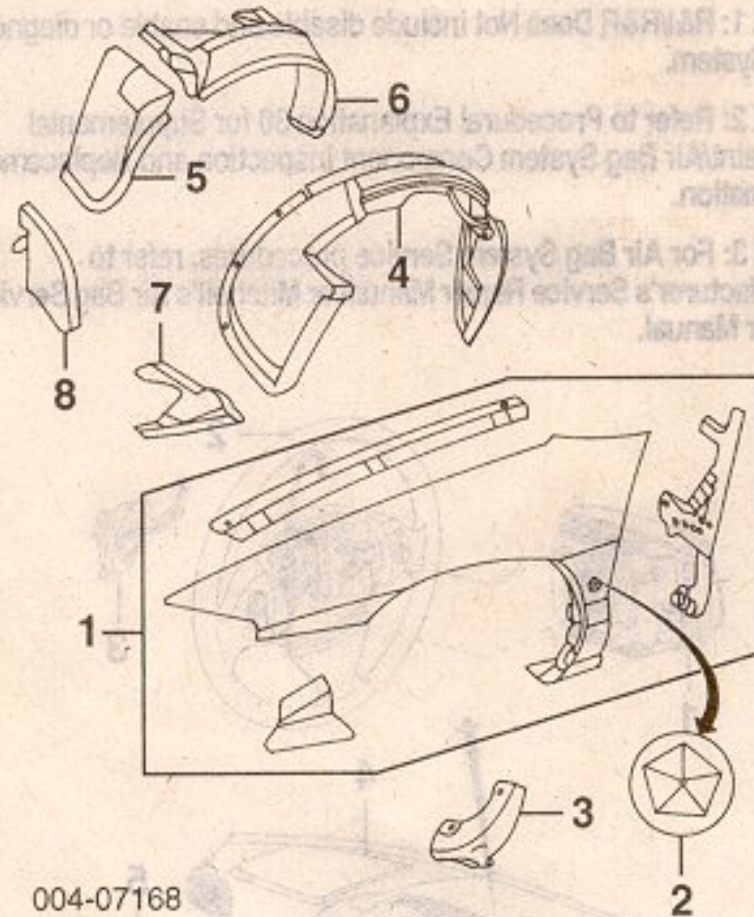
11 Housing, Evap/Heater Front	4644816	m	23.45
12 Housing, Evap/Heater Rear	4644817	m	23.45
13 Housing, Upper	4644798	m	13.70
14 Case, Evaporator	5014910AA	m	69.45
15 Evaporator			
	96-98 4644790	m #5.0	119.00
	99-00 5013064AB	m #5.0	160.00
<i>#w/6 Cyl Add 1.0</i>			
16 Core, Heater	4874040	m 1.5	165.00
17 Cover, Core End	4644836	m	2.50
Hose, Heater Core			
Inlet			
4 Cyl	96 4596732	m	16.95
	97-99 4595720AB	m	16.10
6 Cyl	4662181	m	31.35
Outlet			
4 Cyl	96 4596733	m	20.45
	97-99 4595721	m	24.75

6 Cyl	4662182	m	33.85
18 Motor, Blower	4797372	m .4	108.00
19 Housing, Blower	4644809	m #.6	8.25
<i>#Includes R&R Blower Motor</i>			
20 Door, Inlet	4644803	m	9.50
21 Door, Blend	4644822	m	16.00
22 Door, Floor	4644826	m	8.10
23 Lever, Floor Door	4644827	m	1.35
24 Door, Panel	4644821	m	12.70
25 Actuator			
	96 4644834	m	46.70
	97-00 4644834AB	m	46.00
26 Duct, Heater	5264739	m	18.10

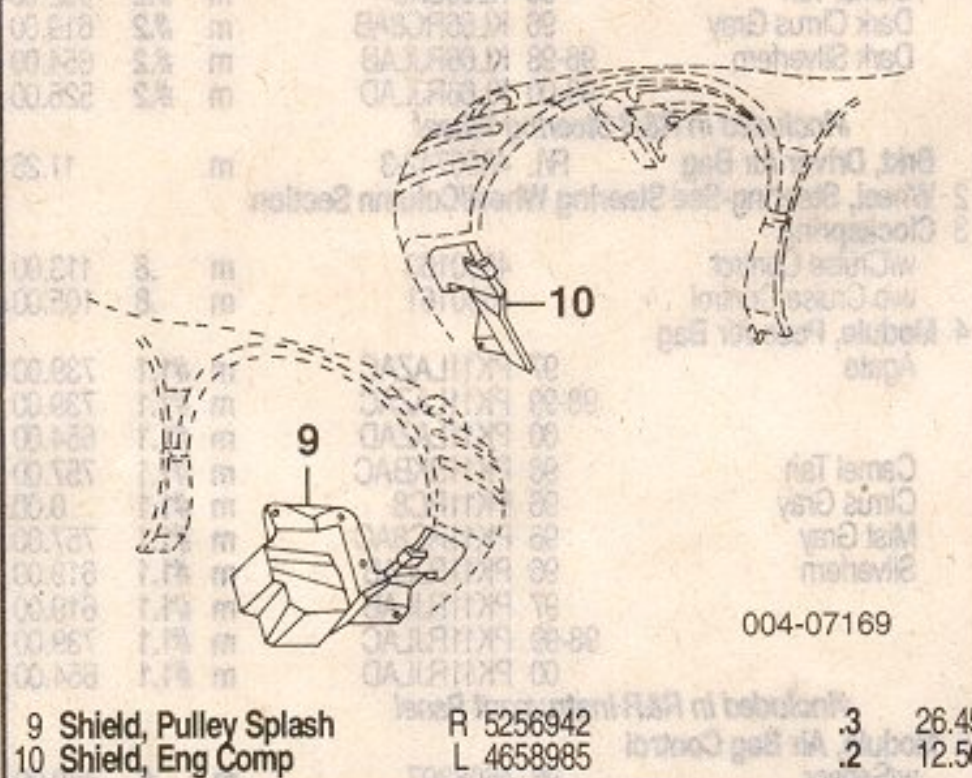
FRONT FENDER

Use Procedure Explanations 7 and 28 with the following text.

Refinish Fender Outside	R/L	2.0
Add to Edge	R/L	.5
R&I Fender Assy	R/L	#1.7
<i>#Includes R&I/R&R Combination Lamp Assy & Fender Liner, w/Bumper Removed Deduct .4</i>		
R&I Mudguard	R/L	.2



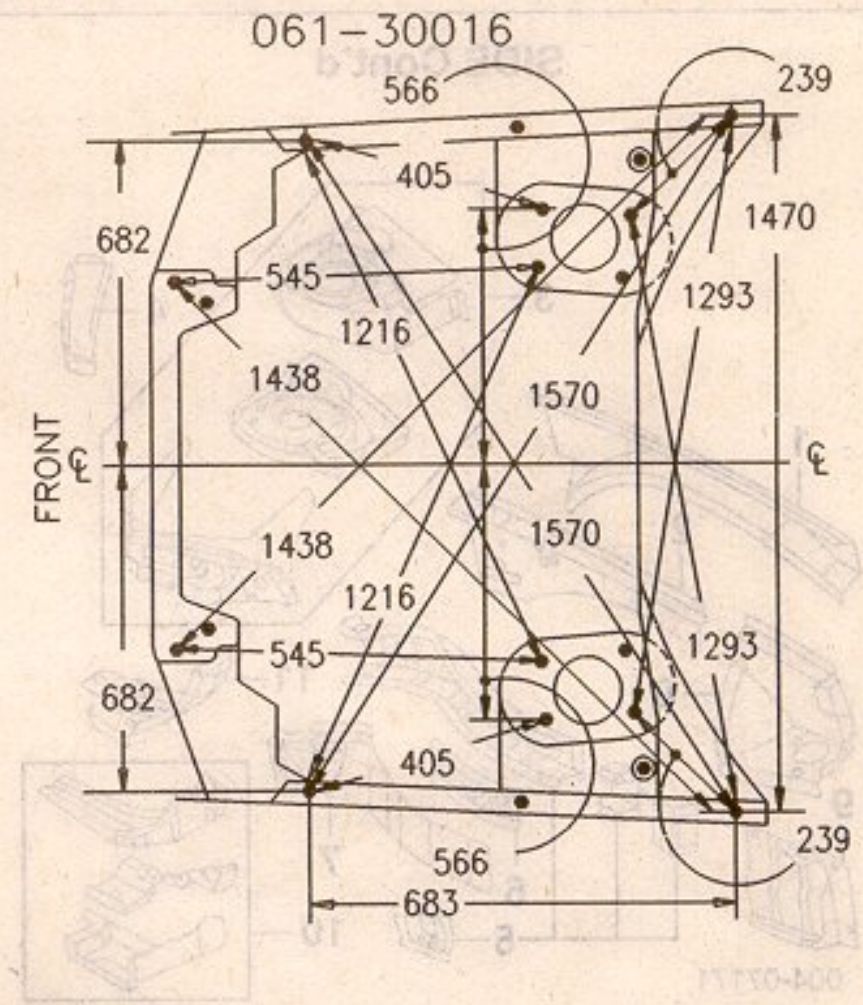
1 Fender			
	96-99 R 4878970AA	#2.0	334.00
	L 4878971AA	#2.0	334.00
	00 R 4878970AA	#2.0	334.00
	L 4878971AA	#2.0	334.00
<i>#Includes R&I/R&R Combination Lamp Assy, Fender Liner & Mudguard, w/Bumper Removed Deduct .4</i>			
2 Emblem, Pentastar	L 4630238	.2	9.95
3 Mudguard	R/L 4724212-3	.2	8.60
4 Liner, Fender Right	5256848	.4	29.75
5 Liner, Fender Left Front	5256837	.2	22.75
6 Liner, Fender Left Rear	4724411	.3	29.25
7 Shield, Lwr Front Right	4724234	.2	26.45
8 Baffle, Front			
	R 4724348	.2	25.35
	L 4724349	.2	27.20



9 Shield, Pulley Splash	R 5256942	.3	26.45
10 Shield, Eng Comp	L 4658985	.2	12.50

UNDERHOOD DIMENSIONS

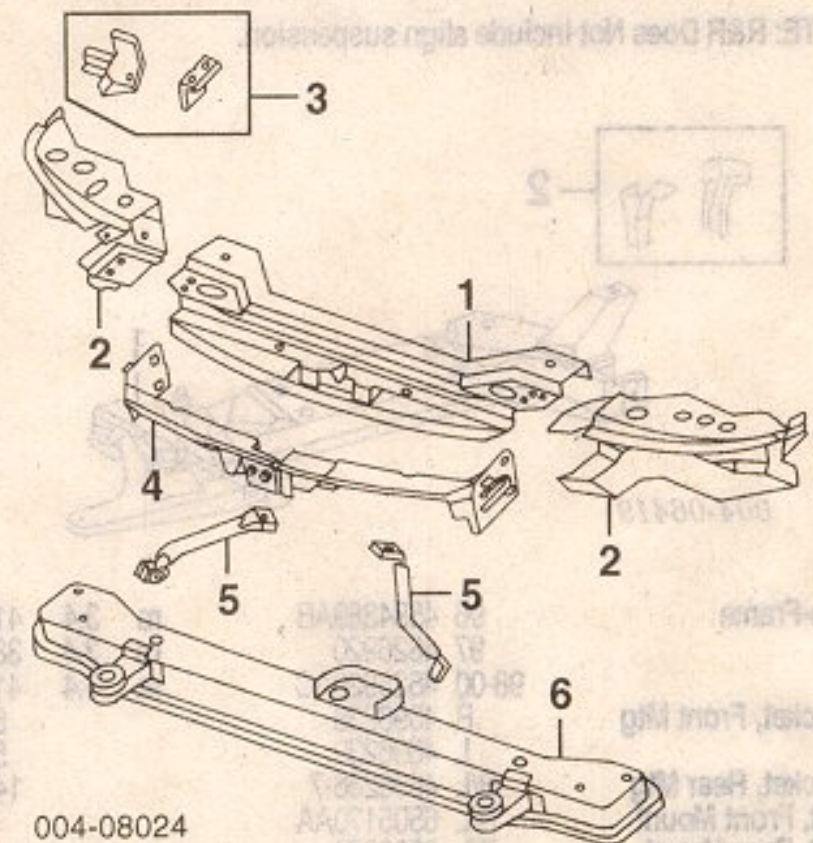
Illustration Located in Next Column



FRONT INNER STRUCTURE

Use Procedure Explanations 8 and 28 with the following text.

Refinish Radiator Support Complete		1.5
Refinish Upper Tie Bar		.5
Refinish H/Lamp Mtg Panel	R/L	.5
Refinish H/Lamp Adapter Assy		.5
Refinish Lower Tie Bar		.5
R&R Radiator Support Complete		#8.7
<i>#Includes R&I/R&R Radiator & Fan Assy, Hood Latch, Washer Reservoir, Lower Tie Bar, Combination Lamp, Air Cleaner Assy, Move Fuse Box for Access & Disconnect & Connect Hood Release Cable, Wiring &/or Harness, R&R Headlamp Adapter Assy, Braces & Brackets & Towing Eye</i>		
Add to R&R Radiator Support		
To R&I/R&R Base Model Mechanical Components	m #4	
<i>#Includes R&I/R&R A/C Condenser</i>		
To Aim Lamps		.4
Evacuate & Recharge System	m	1.3
Recover Refrigerant	m	.4



1 Tie Bar, Upper	4646169AB	#5	102.00
2 Panel, H/Lamp Mtg			
	R 4724216AB	s #2.0	74.50
	L 4724217AB	s #2.0	74.50
<i>#Included in R&R Radiator Support Complete</i>			
3 Supt, H/Lamp/Rail	R/L 4696414-5		4.75
4 Adapter, H/Lamp	5263984	.3	57.10
5 Brace, Upper Tie Bar			
	R 5256818	#.1	11.60
	L 5256819	#.1	11.35
6 Tie Bar, Lower			
	96 4878115AA	s #3.0	180.00
	97-00 4878115AA	s #3.0	180.00
<i>#Included in R&R Radiator Support Complete</i>			
Brkt, Towing Eye	4724239		22.50

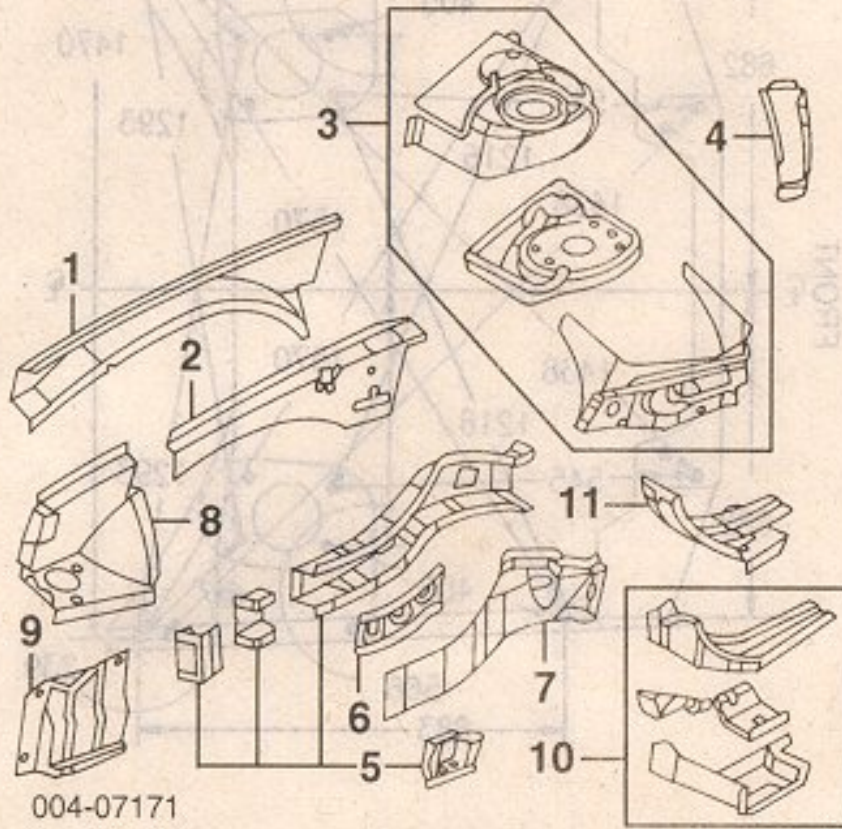
SIDE

Refinish Front Rail/Apron Assy	R/L	2.0
Refinish Apron Outer Reinf	R/L	1.0
Refinish Apron Inner Reinf	R/L	.5
Refinish Strut Tower	R/L	.5
Refinish Fender Splash Shield	R/L	.5

SEBRING CONVERTIBLE 1996-00

FRONT INNER STRUCTURE Cont'd

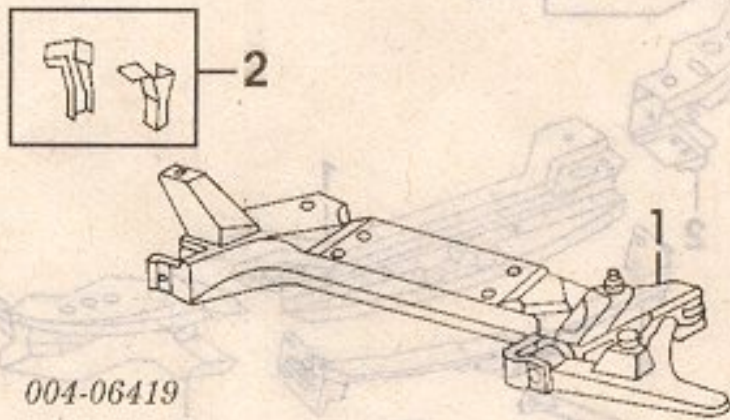
SIDE Cont'd



1 Reinf, Apron Outer	R/L 4856686-7	s #2.5	63.95
2 Reinf, Apron Inner	R 4814150 L 4814151	s #2.5	73.70
#R&R One Side Complete			
3 Tower, Strut	96-99 R/L 4696232-3 00 R 4696232AB L 4696233AB	s 6.0	215.00
4 Ext, Strut Tower	R/L 4646700-1	s 1.0	6.60
5 Rail, Front Upper	R 4856712 L 4856713	s #8.0	119.00
6 Gusset, Front Rail	L 4646939	s #8.0	29.50
7 Reinf, Front Rail	R 4814142 L 4646137	s #8.0	84.10
#R&R Complete, w/Strut Tower Removed Deduct 2.0			
8 Shield, Fender Splash	96-98 R 4646512AB L 4646513AB 99-00 R 4646512AB L 4646513AB	s #2.5	25.10
#w/H/Lamp Mounting Panel Removed 1.0			
9 Bracket, Fender	R 5256672	2	3.00
10 Rail, Front Lower	R 4783180 L 4783181	s #5.5	147.00
#Includes R&R Front Lower Rail Cap			
11 Cap, Front Lower Rail	R/L 4584506-7	s 2.5	62.35

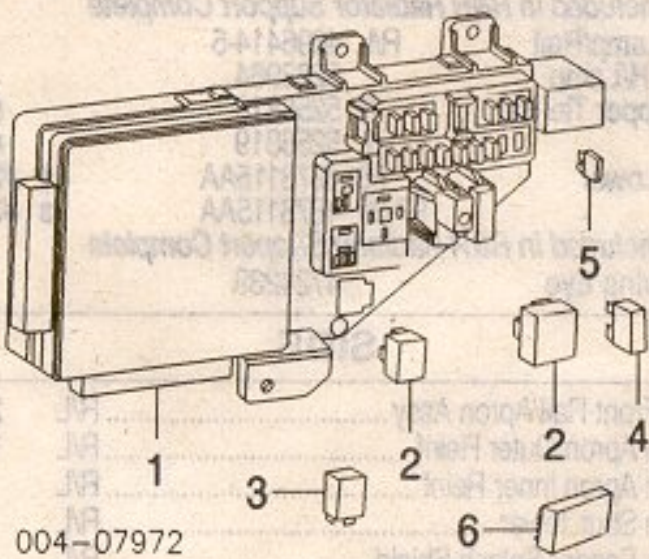
SUB-FRAME

NOTE: R&R Does Not include align suspension.



1 Sub-Frame	96 4584369AB 97 4626920 98-00 4626920AC	m 3.4	417.00
2 Bracket, Front Mtg	R 4696238 L 4696239	m 3.4	385.00
Bracket, Rear Mtg	R/L 4696236-7		55.45
Bolt, Front Mount	R/L 6505170AA		57.95
Bolt, Rear Mount	R/L 6503854		142.00
			2.50
			2.70

ELECTRICAL



1 Block, Fuse/Relay	1996 4602219 1997-00 4671401AA	m	410.00
		m	139.00

Order by Application

2 Relay, Courtesy Lamp	4638271	m .2	16.70
Relay, Headlamp Delay	56006846	m .2	8.35
Relay, Horn	56006846	m .2	8.35
Relay, Radiator Fan	56006769	m .2	31.75
Relay, Starter	4638094	m .2	8.35
3 Relay, Compressor Clutch	4671168	m .2	10.00
Relay, Fuel Pump	4671168	m .2	10.00
Relay, Hi-Lo Wiper	4671168	m .2	10.00
Relay, Intermittent Wiper	4671168	m .2	10.00
Relay, EATX Shutdown	4671168	m .2	10.00
Relay, Back-Up Lamp	4671168	m .2	10.00
4 Breaker, Circuit	20 Amp 4604235	m	3.10
5 Fuse, Mini	10 Amp ATM10	m	.50
6 Module, DRL	4606139	m .2	67.50

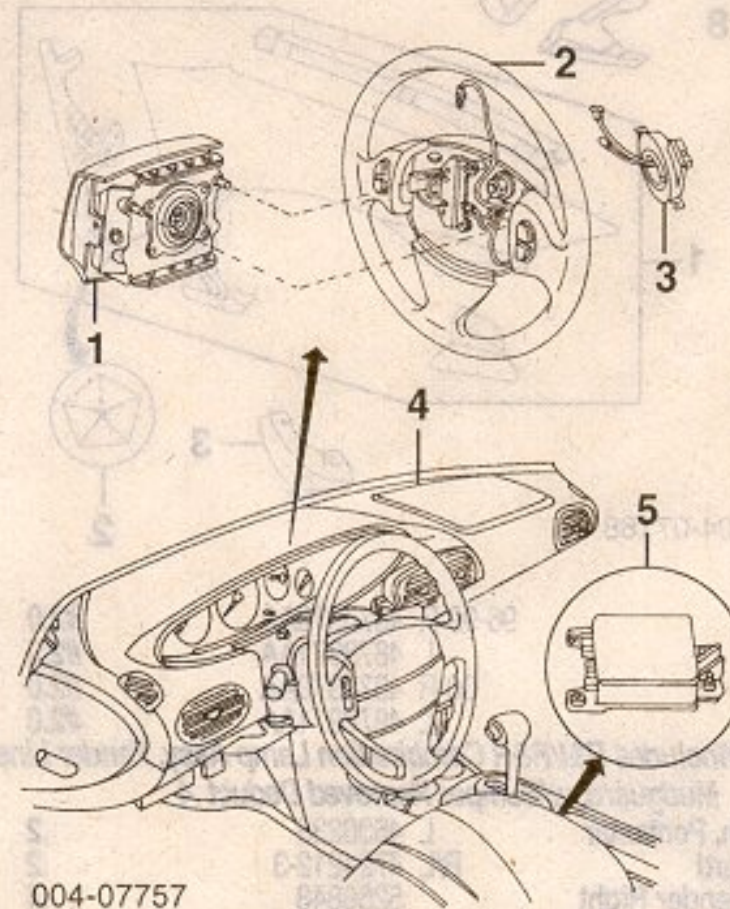
AIR BAG SYSTEM

Disable & Enable Air Bag System	m .3	
Diagnose Air Bag System (if Required)	m #.5	
#Includes Disconnect & Connect Scan Tool & Retrieve/Clear Trouble Codes		

NOTE 1: R&R Does Not include disable and enable or diagnose Air Bag System.

NOTE 2: Refer to Procedural Explanation 30 for Supplemental Restraint/Air Bag System Component Inspection and Replacement Information.

NOTE 3: For Air Bag System Service procedures, refer to Manufacturer's Service Repair Manual or Mitchell's Air Bag Service and Repair Manual.



1 Module, Driver Air Bag	Agate 97-98 KL66LAZAB 99-00 KL66LAZAE	m #.2	619.00
	Camel Tan 96 KL66SKB	m #.2	552.00
	Dark Cirrus Gray 96 KL66RCB8B	m #.2	662.00
	Dark Silverfern 96-98 KL66RJLAB 99-00 KL66RJLAD	m #.2	619.00
#Included in R&R Steering Wheel			
Brkt, Driver Air Bag	R/L 4856742-3	m	654.00
2 Wheel, Steering-See Steering Wheel/Column Section		m #.2	525.00
3 Clockspring	w/Cruise Control 4600163 w/o Cruise Control 4600161	m .8	11.25
4 Module, Pass Air Bag	Agate 97 PK11LAZAC 98-99 PK11LAZAC 00 PK11LAZAD	m #1.1	113.00
	Camel Tan 96 PK11SKBAC	m #1.1	739.00
	Cirrus Gray 96 PK11RC8	m #1.1	654.00
	Mist Gray 96 PK11RC8AC	m #1.1	757.00
	Silverfern 96 PK11RJLAB 97 PK11RJLAB 98-99 PK11RJLAC 00 PK11RJLAD	m #1.1	0.00
#Included in R&R Instrument Panel			
5 Module, Air Bag Control	w/Sensor 96 4608307 97-00 4671322	m .6	619.00
		m .6	522.00

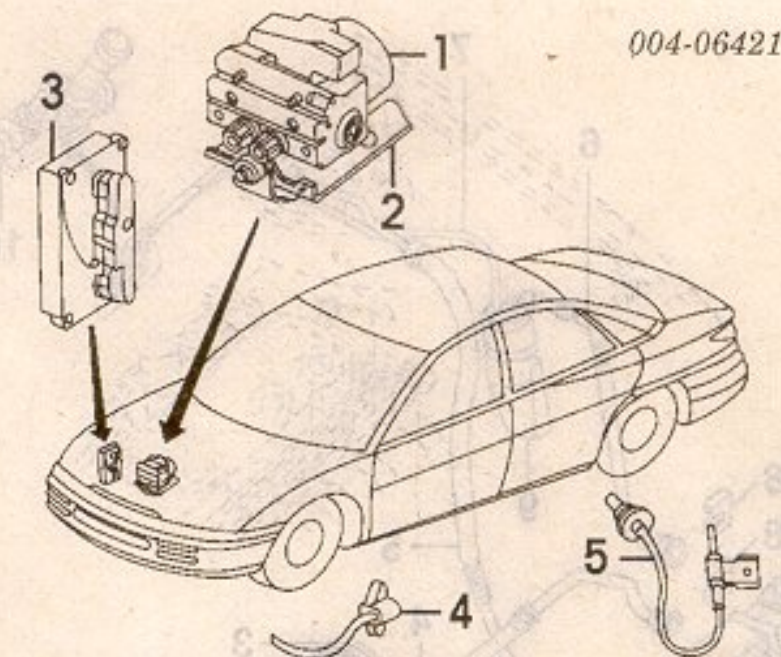
ABS/BRAKES

Bleed System	m .6
--------------	------

NOTE: R&R Does Not include bleed brake system.

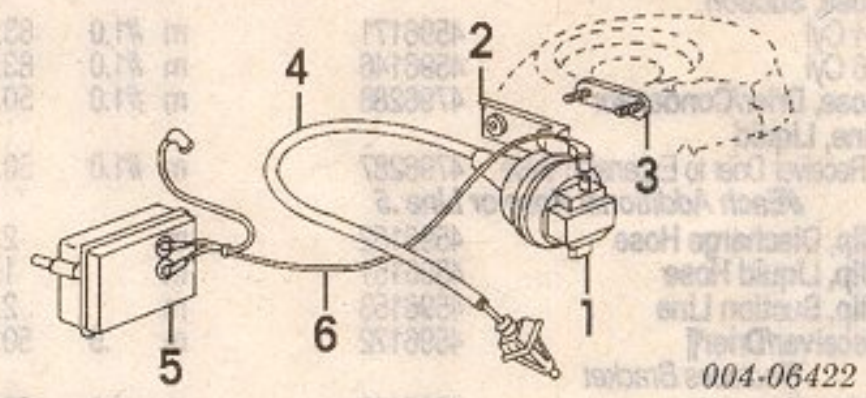
Illustration Located in Next Column

1 Hydraulic Unit, ABS	Rear Disc Brakes 96-97 4509871 98-00 489779AA	m 2.6	600.00
	Rear Drum Brakes 96-97 4509862 98-00 489779AA	m 2.6	609.00
		m 2.6	572.00
		m 2.6	609.00



Relay Kit, ABS	4796372	m .5	137.00
2 Bracket, Mounting	96-97 4796361 98-00 4897783AA	m	37.20
	4762171	m	88.70
Bushing Pkg, Mtg		m	36.60
3 Module, ABS Control	1996 R4605094 1997 4671221	m .5	R291.00
		m .5	180.00
1998-00			
w/Traction Control	4671368AC	m .5	335.00
w/o Traction Control	4602249AC	m .5	350.00
Valve, Proportioning			
Front			
Primary	4796359	m #.5	42.75
Secondary	4796360	m #.5	45.50
Rear	R 4856981 L 4856982	m #.5	44.70
		m #.5	41.10
#R&R Both .7			
4 Sensor, Front ABS	96-97 R 4509684 L 4509685	m #.6	85.00
	98-00 R/L 4764116-7	m #.6	56.20
		m #.6	45.70
#w/Knucler Removed .1			
5 Sensor, Rear ABS	96-97 R/L 4509686 98-00 R/L 4509807	m #.7	98.35
		m #.7	52.35
#w/Knucler Removed .1			

CRUISE CONTROL SYSTEM



1 Servo, Cruise	96 5277659 97-00 4669977	m .7	105.00
2 Bracket, Mounting	4669926	m .7	67.50
		#.2	4.95
#w/Servo Removed			
Bushing, Mount (2)	5264283		1.85
3 Plate, Mtg Stud	4591046		3.50
4 Cable, Control			
4 Cyl	4573693	m .6	35.25
6 Cyl	96 4669623 97-00 4669915	m .6	21.75
		m .6	30.20
5 Reservoir, Vacuum	4663066	m .5	20.25
6 Harness, Vacuum	4663068	m	12.20

WHEEL

Use Procedure Explanation 10 with the following text.

STEEL WHEEL

Refinish Wheel	.5
Add to R&I Spare Wheel & Tire Assy	.2



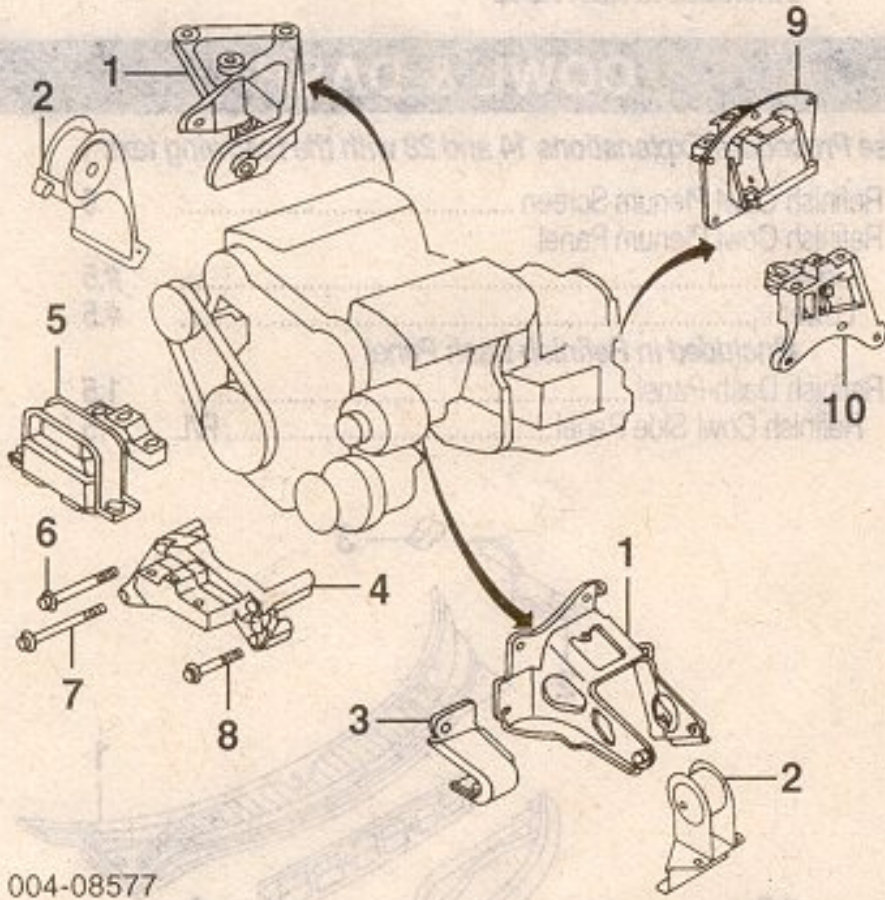
1 Wheel	4656411	.3	84.20
2 Cover, Wheel			
2 10 Hole	4656253AC		56.85
3 12 Hole	96-97 4626797 98-00 4656249AC		89.35
			50.25
Stem, Valve	2073355		2.75
Nut, Lug	6500526		2.35

ALUMINUM WHEEL

Add to R&I Spare Wheel & Tire Assy	.2
------------------------------------	----

2 Strut, Mount	R 4593191	#2	18.95
	L 4593249	#2	28.00
<i>#w/Eng Side Mount Bracket Removed</i>			
3 Mount, Eng Side	96-97 R/L 4593410	.6	104.00
	98-99 R 4593337AF	.6	72.10
	L 4593338AC	.6	60.00
4 Bracket, Front Mount	4593436AA	#2	16.10
<i>#w/Eng Front Mount Removed</i>			
5 Mount, Eng Front	4573773	.6	112.00
6 Bracket, Trans Mount	4573776	#2	30.75
<i>#w/Trans Mount Removed</i>			
7 Mount, Trans	4668135AB	.7	107.00

6 CYL



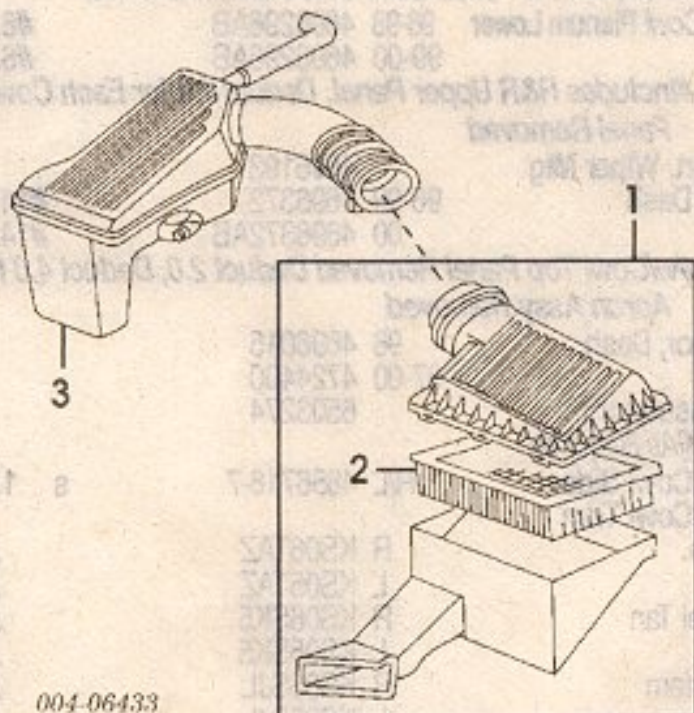
004-08577

1 Bracket, Eng Side Mount	R 4593289	#2	49.50
	L 4573763	#2	37.95
<i>#w/Eng Side Mount Removed</i>			
2 Mount, Eng Side	96-97 R/L 4593410AB	.5	110.00
	98 R 4593337AF	.5	72.10
	L 4593338AC	.5	60.00
	99-00 R/L 4593410AB	.5	110.00
3 Strut, Mount	R 4573770		11.50
	L 4573766		10.10
Bolt, Strut Mount			
Upper	R/L 6100306		2.25
Lower	6100343		1.95
Bolt, Mount/Trans (2)	6503297		2.35
4 Bracket, Mount	MD314514	#2	114.00
<i>#w/Eng Front Mount Removed</i>			
5 Mount, Eng Front	4573773	.5	112.00
Bolt, Mount (2)	6503357		1.00
6 Bolt, Mount/Block Upper (2)	MF303380		4.50
7 Bolt, Mount/Block Lower Right	MD309571		3.10
8 Bolt, Mount/Block Lower Left	MF303375		2.70
9 Bracket, Trans Rear Mount	4573776	#7	30.75
10 Mount, Trans Rear	4668135AB	#7	107.00
<i>#R&R Complete</i>			
Bolt, Mount	6101514		1.50
<i>As Required</i>			
Bolt, Mount/Rail	6100591		1.25

AIR CLEANER

4 CYL

R&I Air Cleaner Assy	2
----------------------	-------	---

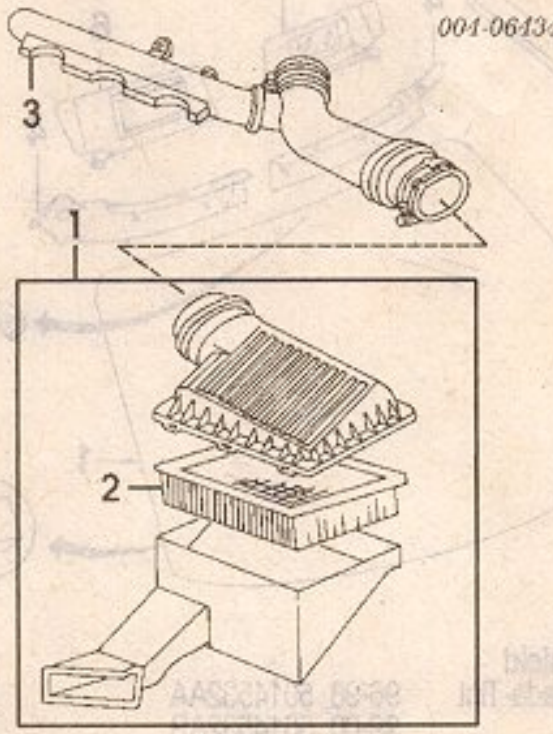


004-06433

1 Cleaner Assy, Air	4669637	.3	146.00
2 Element, Cleaner	96 4882141	.3	12.50
	97-99 4882141	.3	12.50
<i>Included w/Air Cleaner Assy</i>			
3 Hose & Resonator			
Throttle Body	96 4591321	.2	62.75
	97-99 4591330	.2	117.00

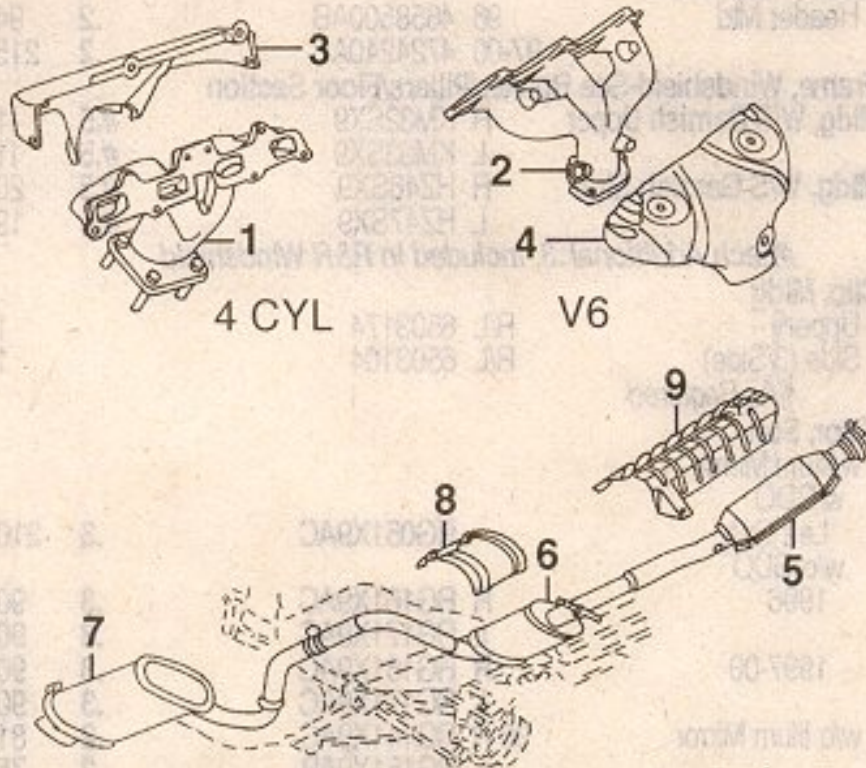
6 CYL

R&I Air Cleaner Assy	2
----------------------	-------	---



1 Cleaner Assy, Air	4669637	.3	146.00
2 Element, Cleaner	4882141AB	.3	12.50
<i>Included w/Air Cleaner Assy</i>			
3 Hose, Throttle Body	4663327	.2	81.10

EXHAUST



004-07582

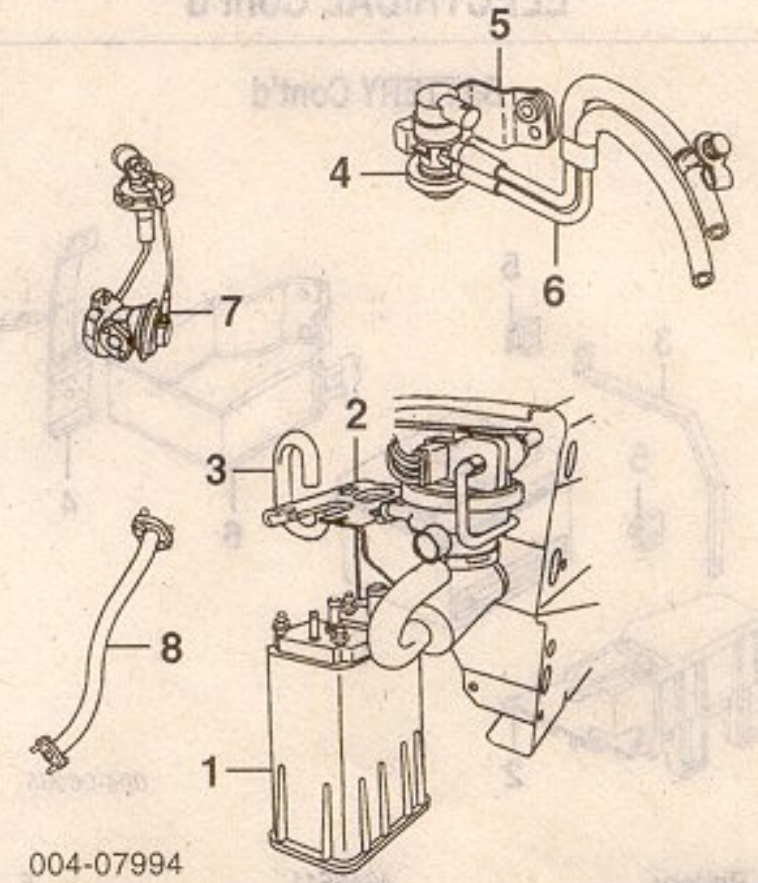
Manifold, Exhaust			
1 4 Cyl	4663769	m	1.3 267.00
2 6 Cyl	96 R MD311788	m	1.8 164.00
	L MD311787	m	1.3 167.00
	97-00 R MD323973	m	1.8 162.00
	L MD323182	m	1.3 151.00
Shield, Manifold Heat			
3 4 Cyl	4663484		19.85
4 6 Cyl	96 R MD308099		39.20
	L MD308961		47.75
	97-00 R MD323183		39.20
	L MD323780		45.60

5 Pipe, Front Exhaust			
4 Cyl	96-97 4764140	1.0	309.00
	98-99 4764237AA	1.0	370.00
6 Cyl	96-97 5278026AC	1.0	459.00
	98 5278026AC	1.0	459.00
	99-00 5278026AC	1.0	459.00
<i>Includes Catalytic Converter</i>			
6 Pipe, Center Exhaust	5278760	#1.0	239.00
<i>Includes Resonator</i>			
<i>#w/Front Exhaust Pipe Removed Deduct .6</i>			
7 Muffler & Pipe, Rear			
4 Cyl	5278217	#.6	237.00
6 Cyl	5278136	#.6	339.00
<i>Includes Tailpipe</i>			
<i>#w/Center Exhaust Pipe Removed Deduct .3</i>			
8 Shield, Resonator Heat	4495768	#.2	4.60
<i>#w/Center Exhaust Pipe Removed</i>			
9 Shield, Tunnel Heat	97-00 4495972	#.2	14.00
<i>#w/Front Exhaust Pipe Removed</i>			
Shield, Muffler Heat	96 4696410	#.2	7.70
<i>#w/Rear Muffler & Pipe Removed</i>			

EMISSION SYSTEM

Illustration Located in Next Column

1 Canister, Vapor	97-98 53030837	m	.5 94.50
	99-00 4764060	m	.5 57.50
2 Bracket, Canister	97-98 4591036		61.10
	99 4695997		28.00
	00 4885573AA		28.00

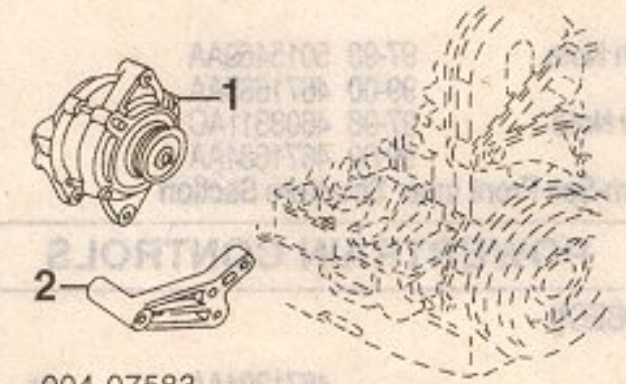


004-07994

3 Hose, Vapor Canister	96 4591052	m	d3.85
	97-98 4669987	m	22.95
	99-00 4591381	m	12.45
4 Solenoid, Duty Cycle	96-97 4669475AB	m	29.70
	98-00 4669569	m	37.00
	97 4778172	m	48.60
5 Bracket, Solenoid	98-00 4591344AB		16.85
6 Hose, Solenoid	97 4891120	m	17.00
	98-99 4591377AB	m	21.20
	00 4591378AC	m	25.10
7 Valve, EGR			
4 Cyl	96 4287822	m	.6 100.00
	97-98 4287825AC	m	.6 90.00
6 Cyl	4287646	m	.6 107.00
8 Tube, EGR Valve			
4 Cyl	4591246	m	25.35
6 Cyl	4591231	m	60.60
Sensor, MAP	5269983	m	.5 88.35

ELECTRICAL

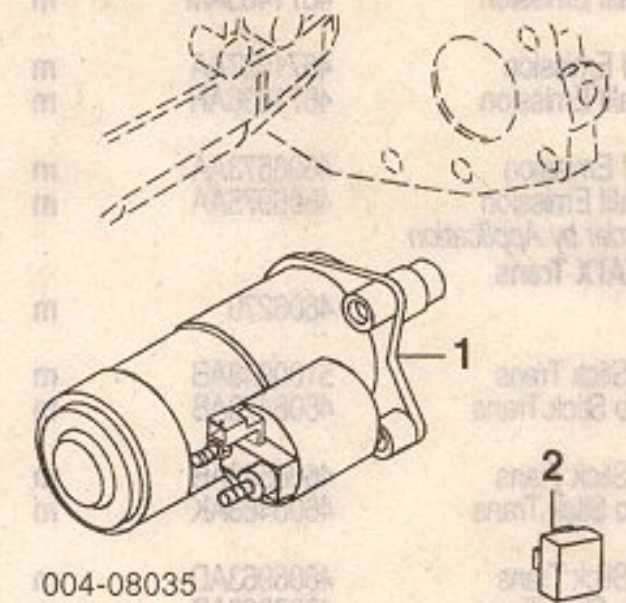
ALTERNATOR



004-07583

1 Alternator	4671320	m	.6 350.00
<i>Belt, Drive-See Air Conditioning/Heater Section</i>			
2 Bracket, Mounting			
4 Cyl	4668244	#2	57.35
6 Cyl	4671131	#2	2.50
<i>#w/ A/C Compressor & Alternator Removed</i>			

STARTER



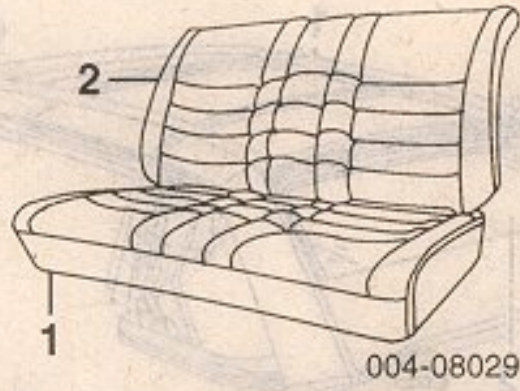
004-08035

1 Starter			
4 Cyl	4609703	m	.7 242.00
6 Cyl	4609058	m	.6 242.00
2 Relay, Starter-See Front Inner Structure Section			

BATTERY

Illustration Located in Next Column

1 Battery	N.A.		.2 0.00
-----------	------	--	---------

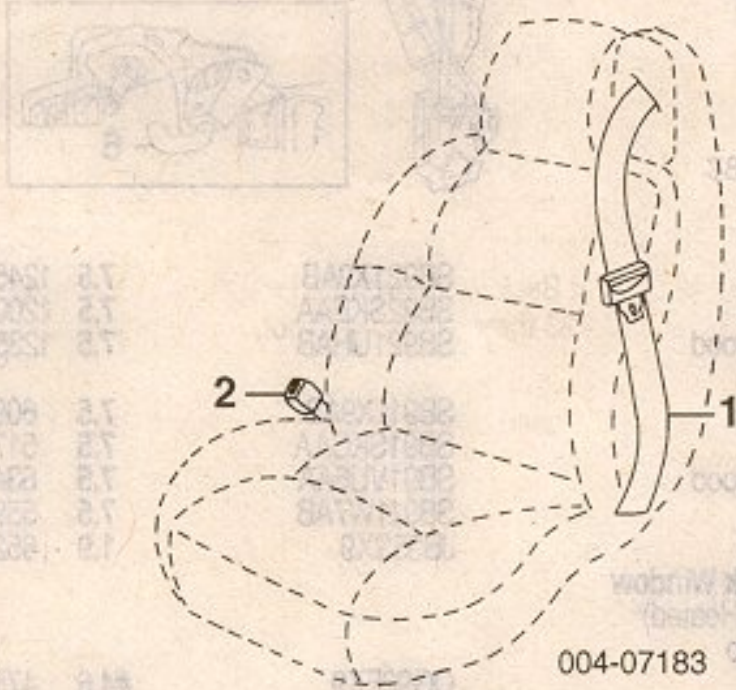


004-08029

SEAT BELTS

FRONT

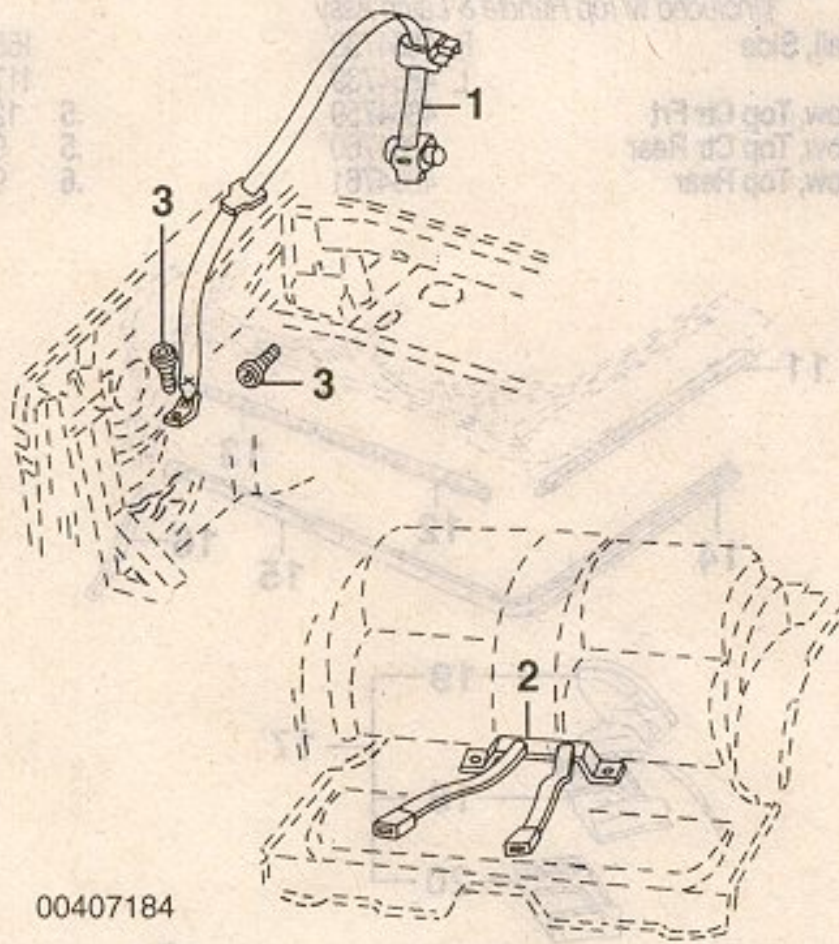
NOTE: The Torque Nut used to secure the Seat Belt to Seat Adjuster are non-reusable.



004-07183

Belt, Seat			
1 Outer Retractor	R PW601JKAD	.7	80.00
	L PW61SJK	.7	80.00
2 Inner Buckle	R/L PW63SJK	.5	75.50
<i>Order by Application</i>			
Module, Seat Belt Timer			
1996-98	4671300AB		99.50
1999-00	4671300AB		99.50

REAR



00407184

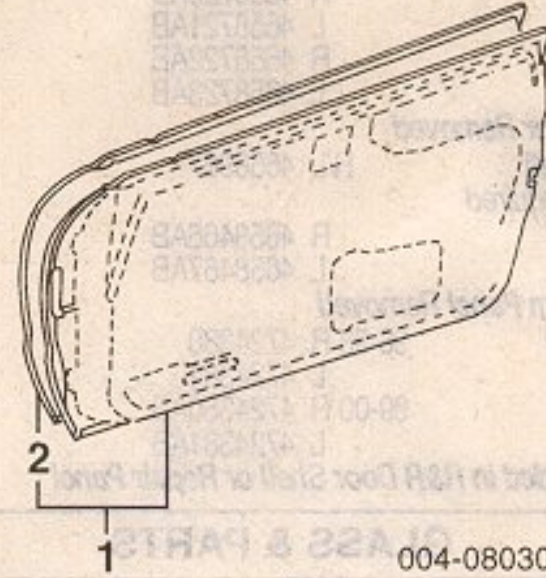
Belt, Seat			
1 Outer Retractor	R PV58SJK	#8	87.50
	L PV59SJK	#8	92.50
<i>Includes R&I Rear Seat & Trim Panel</i>			
2 Inner Buckle	PV57SJK	.4	67.50
<i>Silverfern listed, Order by Application</i>			
3 Bolt, Retractor Mtg (a)	R/L 6034385		2.00
<i>(a) As Required</i>			

FRONT DOOR

Use Procedure Explanations 16 and 28 with the following text.

SHEET METAL

Refinish Door Outside	R/L	2.0
Add for Jamb & Interior	R/L	1.0
Add for Jamb	R/L	.5
R&I Door Assy	R/L	#6
<i>Includes R&I/R&R Cowl Trim Panel</i>		

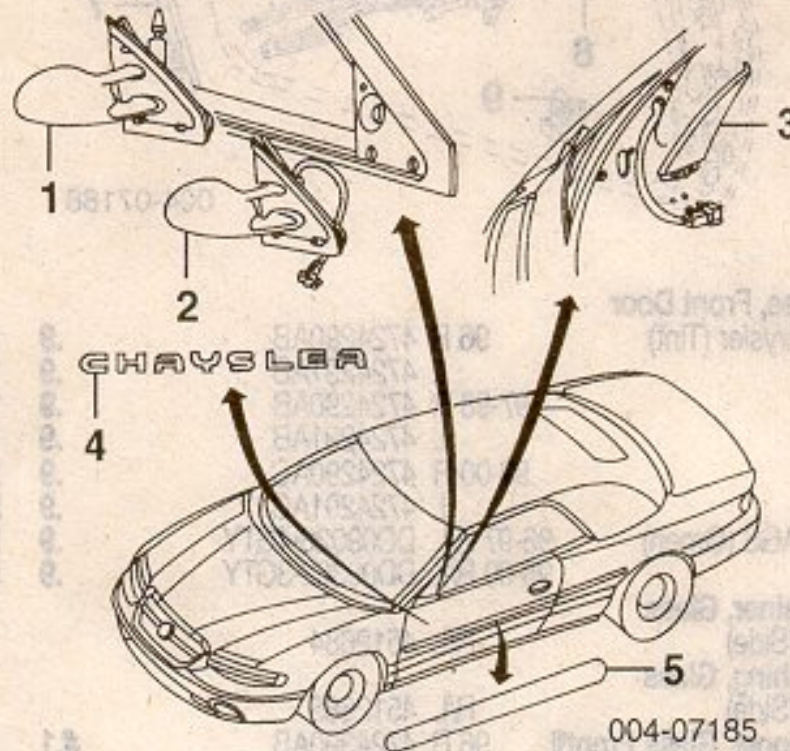


004-08030

1 Shell Assy, Door	R 4886248AC	#4.5	542.00
	L 5027197AD	#4.5	515.00
<i>Includes R&I/R&R Mirror & Cowl Trim Panel</i>			
2 Panel, Door Repair (a)	R 4658458AB	#5.5	132.00
	L 4658459AC	#5.5	126.00
<i>(a) Included w/Door Shell Assy</i>			
<i>Includes R&I/R&R Mirror, Door Glass & Cowl Trim Panel</i>			

EXTERIOR TRIM

Refinish Side Moulding	R/L	.4
R&I Outside Mirror		
Manual	R/L	.2
Power	R/L	#6
<i>Includes R&I Trim Panel</i>		



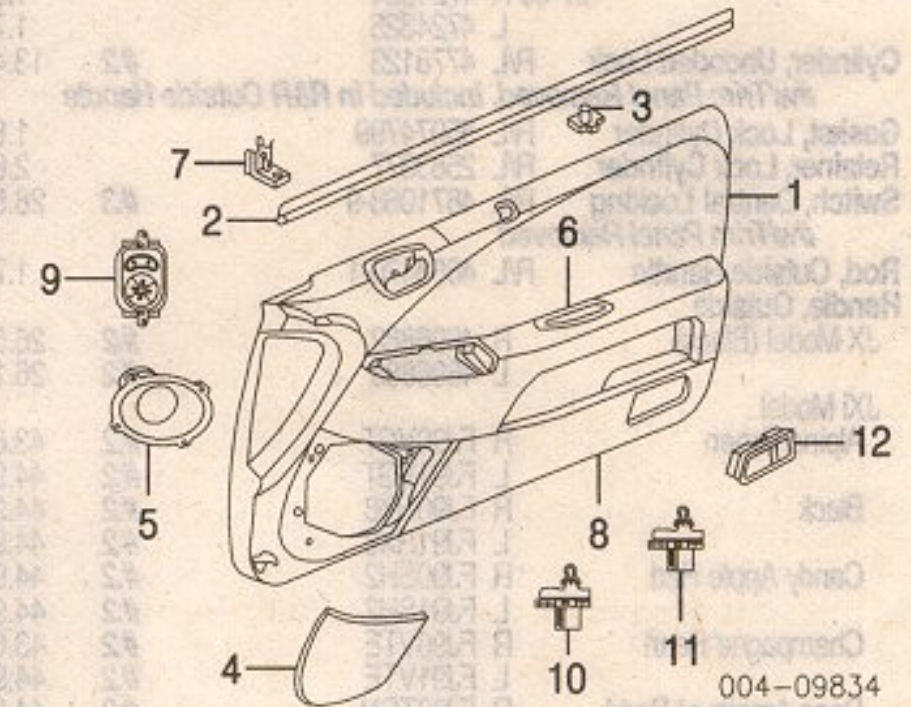
004-07185

Mirror, Rear View			
1 Man Remote	R 4724250	.2	122.00
	L 4724251	.2	117.00
2 Pwr Remote	R 4724246AB	#6	177.00
	L 4724247AB	#6	169.00
<i>Includes R&I Trim Panel</i>			
3 Bezel, Inside			
Pwr Remote	R PM32SX9		8.10
	L PM33SX9		7.85
	R/L 4724352		2.85
Seal, Bezel			
4 Nameplate, Door			
"Chrysler"			
Chrome	R/L 5288438	.2	30.45
Gold	98-00 R/L 5288751AA	.2	30.45
"Chrysler"	97-98 R/L QP93PWH	.2	21.10
"Sebring JK"	97-98 R/L QP92PWH	.2	19.75
<i>Spring Special Model</i>			
5 Moulding, Side			
Alpine Green	R QW74VGTAA	.2	51.10
	L QW75VGTAA	.2	51.10
Black	96-99 R SB42DX8AA	.2	56.25
	L QW75DX8AA	.2	45.95
	00 R SB42DX8AA	.2	56.25
	L SB43DX8AA	.2	54.45
Candy Apple Red	R QW82RH2AA	.2	60.50
	L QW83RH2AA	.2	60.50
Champagne Pearl	R QW82VTEAA	.2	54.60
	L QW75VTEAA	.2	51.10
Deep Amethyst Pearl	97 R SB42TCNAA	.2	57.25
	L QW75TCNAA	.2	51.10
	98-99 R SB42TCNAA	.2	57.25
	L QW75TCNAA	.2	51.10
	00 R SB42TCNAA	.2	57.25
	L SB43TCNAA	.2	57.25
Deep Cranberry	00 R SB42VMTAA	.2	57.25
	L SB43VMTAA	.2	57.25
Deep Slate	R QW74VAWAA	.2	51.10
	L SB43VAWAA	.2	57.25
Forest Green	R SB42SG8AA	.2	57.25
	L SB43SG8AA	.2	57.25
Inferno Red	99 R SB42WELAA	.2	57.25
	L SB43WELAA	.2	57.25
	00 R SB42WELAA	.2	57.25
	L SB43WELAA	.2	57.25
Intense Blue	R QW74VB3AA	.2	51.10
	L QW75VB3AA	.2	51.10
Island Teal	96 R PA82SPJ	.2	42.25
	L PA83SPJ	.2	42.25
Light Cypress Green	96-99 R SB46WG2AA	.2	69.50
	L SB47WG2AA	.2	69.50

00 R SB46WG2AA	.2	69.50	
L SB47WG2AA	.2	69.50	
Light Gold	R QW74SYLAA	.2	55.35
	L QW75SYLAA	.2	55.35
Medium Fern	96-99 R QW74RJPAA	.2	55.35
	L QW75RJPAA	.2	55.35
Red	96-98 R SB42PR4AA	.2	57.25
	L SB43PR4AA	.2	57.25
	99 R SB42PR4AA	.2	57.25
	L SB43PR4AA	.2	57.25
Shale Green	R SB42XGRAA	.2	56.25
	L SB43XGRAA	.2	56.25
Silver	96-99 R QW82MS4AA	.2	56.25
	L SB47MS4AA	.2	69.50
	00 R SB46WS2AA	.2	69.50
	L SB47WS2AA	.2	69.50
Taupe Frost	R SB46TTKAA	.2	69.50
	L SB47TTKAA	.2	69.50
Twilight Blue	96-99 R QW74PC5AA	.2	51.10
	L QW75PC5AA	.2	51.10
White	96 R SB46GW7AA	.2	69.50
	L SB47GW7AA	.2	69.50
	97-99 R SB46GW7AA	.2	69.50
	L SB47GW7AA	.2	69.50
	00 R SB46GW7AA	.2	69.50
	L SB47GW7AA	.2	69.50
Wild Orchid	96-99 R PA82SMK	.2	55.35
	L PA83SMK	.2	55.35

INTERIOR TRIM

R&I Trim Panel	R/L	.4
NOTE 1: Door Trim Panel must be ordered by interior trim code digits 33 through 36 of the body code plate located on the Upper Tie Bar.		
NOTE 2: All Parts in this section are included in R&R Trim Panel unless noted otherwise.		



004-09834

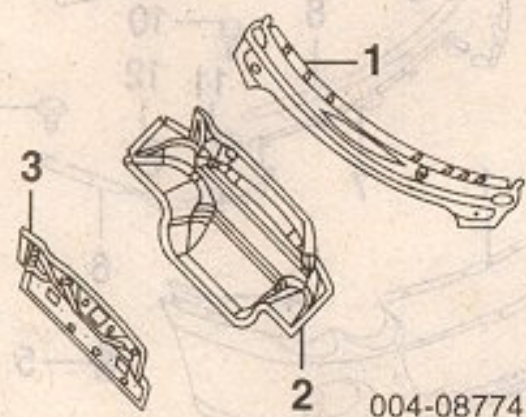
1 Panel, Trim (a)	96-99 R PU541JKAE	.6	325.00
	L PU551JKAE	.6	264.00
	00 R PU681JKAE	.6	305.00
	L PU691JKAE	.6	300.00
<i>Silverfern listed, Order by Application</i>			
<i>(a) Includes Mounting Clips</i>			
2 W/Strip, Inner Belt	R 4724302	.2	51.45
	L 4724303	.2	59.00
3 Stabilizer, W/Strip	R/L 4658734		8.35
Moulding, Woodgrain	R 4665694		22.25
	L 4665695		27.85
Clip, Woodgrain Mldg	R/L 6032650		1.70
<i>As Required</i>			
4 Grille, Speaker			
w/Infinity Sound	R JS62SJK	#2	30.50
	L JS63SJK	#2	30.50
w/o Infinity Sound	R PR18SJK	#2	19.45
	L PR19SJK	#2	20.45
<i>Silverfern listed, Order by Application</i>			
5 Speaker, Radio	R/L 5269505	#2	51.70
<i>R&R One Side Complete</i>			
6 Cup, Pull	R JK52SJK		13.10
	L JK53SJK		14.50
<i>Silverfern listed, Order by Application</i>			
7 Brkt, Pull Cup	R/L 4665756		3.10
8 Pocket, Map-Serviced w/Door Trim Panel			
9 Switch, Mirror	L LP63SJLAB	#3	31.60
<i>Silverfern listed, Order by Application</i>			
10 Switch, Door Lock	R/L 5269492	#3	16.60
11 Switch, Power Window			
Passenger Side	4759144	#3	22.50
Driver Side	4897316AA	#3	130.00
Bezel, Window Switch			
w/Pwr Locks	R JS58SJK	#3	12.75
	L JS59SJK	#3	15.45
w/o Pwr Locks	R JK42SJK	#3	17.75
	L JK43SJK	#3	17.25
<i>Silverfern listed, Order by Application</i>			
<i>R&R One Side Complete</i>			
12 Lamp, Courtesy	R/L 56005076-7		37.75
Bulb, Lamp	R/L L0000168		.65

HARDWARE

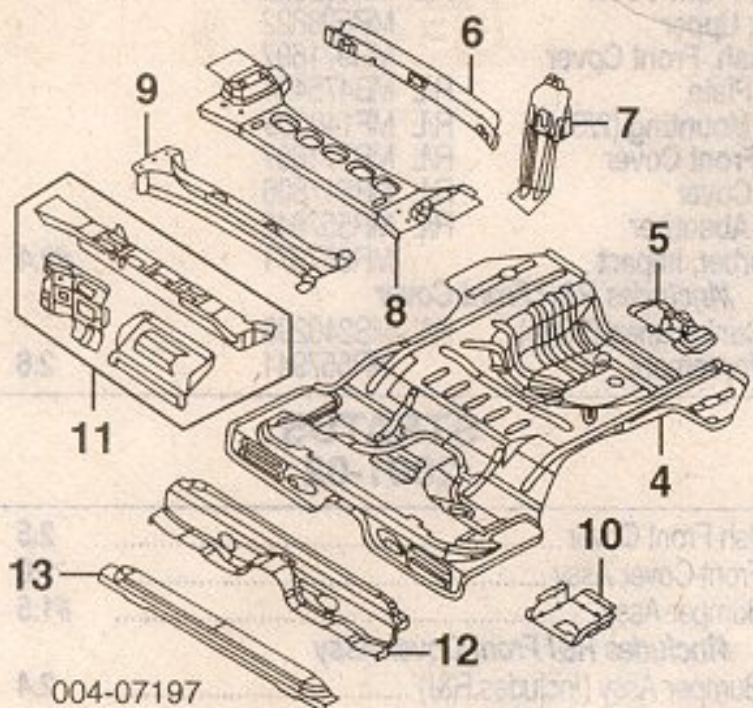
Refinish Upper Hinge	R/L	.3
Refinish Lower Hinge	R/L	.3
R&I Outside Handle	R/L	#6
<i>Includes R&I Trim Panel</i>		

SHEET METAL/EXTERIOR TRIM

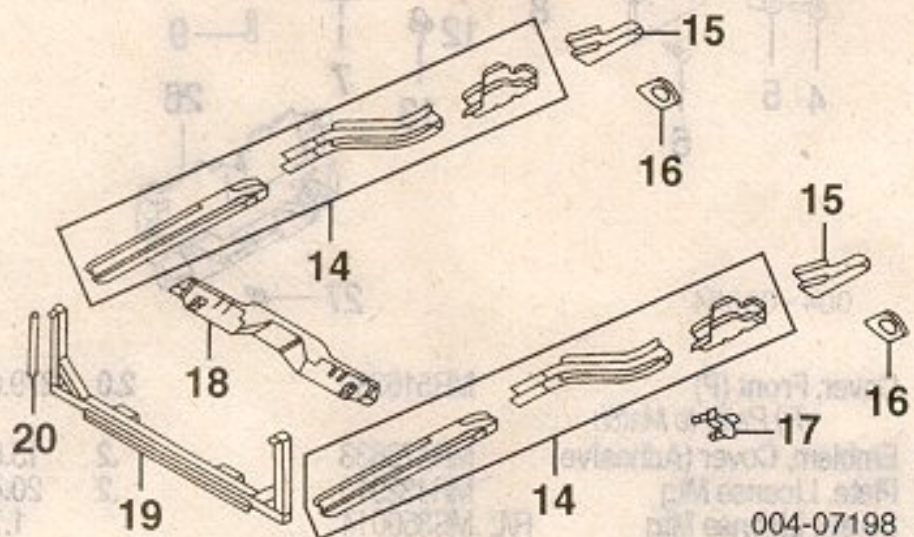
Refinish Rear Body Outside.....	1.4
Add for Edge & Inside.....	.8
Refinish Lwr Deck Opng Panel.....	1.0
Refinish Lower Panel Reinforcement.....	.5
Refinish Rear Floor Pan.....	1.5



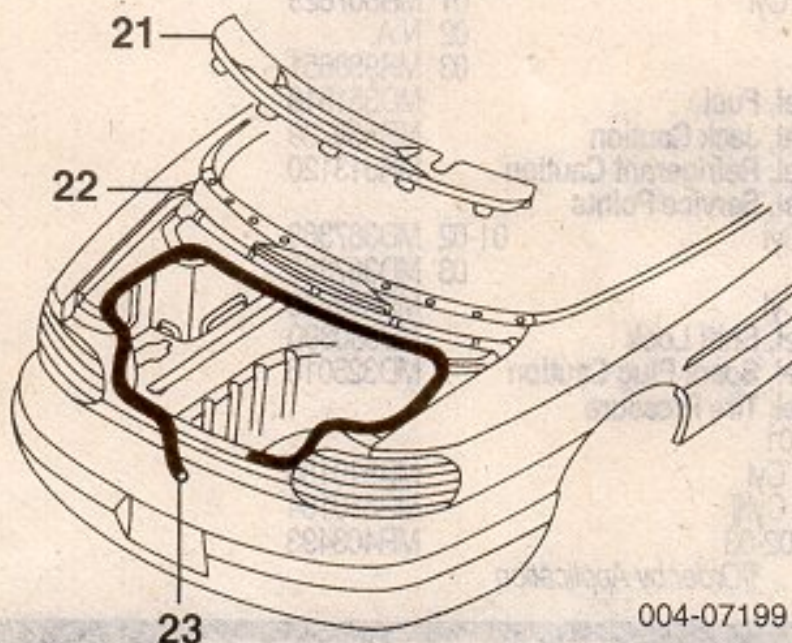
1 Panel, Rear Body	4655930	#6.5	45.45
#Deduct 2.2 for Each Quarter Panel Removed, Deduction Includes Common Surfaces & Included Operations			
2 Panel, Lower Deck Opng	4856739	#6.0	222.00
#w/Rear Body Panel Removed			
3 Reinf, Lower Panel	96-99 4655998 00 4655998AB		74.20 59.60



4 Pan, Rear Floor	4646557	#13.0	242.00
#w/Rear Body Panel Removed			
5 Brkt, Spare Wheel	4646121		15.35
6 Support, Rear Seat Back			
Shoulder Belt Brace	4655934	2.0	40.75
7 Support, Crossmember			
Inner Wheelhouse	96 R 4724436 L 4655943	1.5	47.35 44.95
	97-00 R/L 4724436-7	1.5	47.35
8 Xmbr, Inner Whlshse	96-99 4864584AB 00 4864584AB	4.5	143.00 143.00
9 Crossmember, Rear Susp-See Rear Suspension Section			
10 Support, Fuel Tank	96-98 4696948 99 4814494 00 4814494AB		11.75 12.35 12.35
11 Support, Shoulder Belt	4856757		400.00
12 Xmbr, Rear Floor Pan			
Front	4646116	#8.0	86.60
13 Reinf, Front Xmbr	4646551	#8.0	52.10
#R&R Complete			

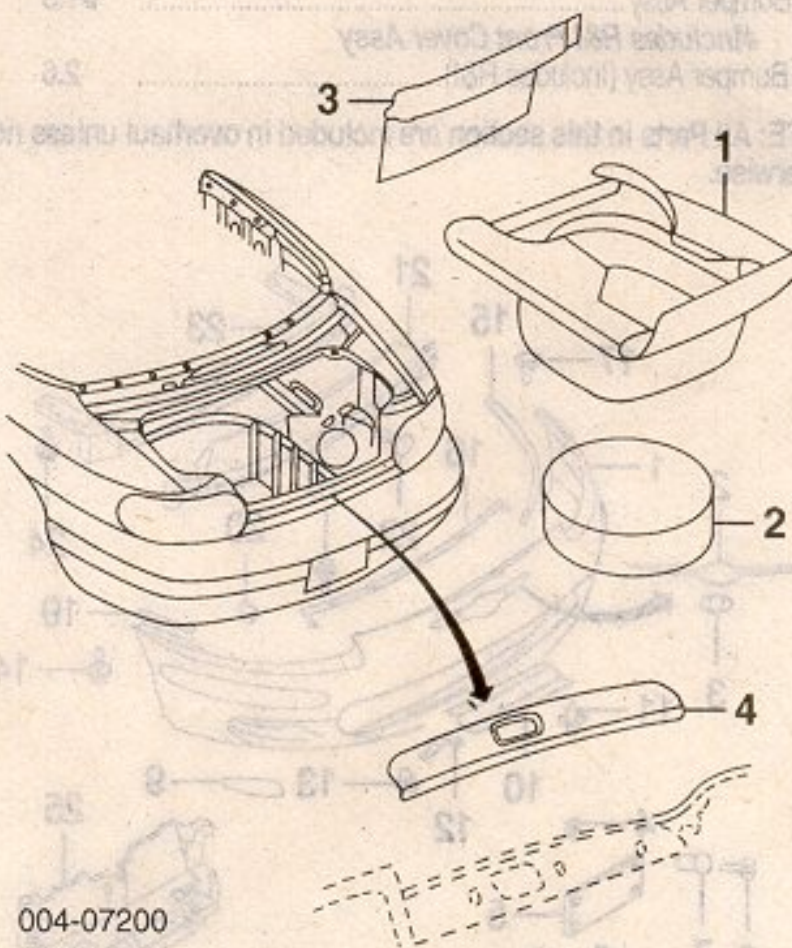


14 Rail, Rear Side	R/L 4696380-1	s #9.5	149.00
#w/Floor Pan Removed Deduct 3.5			
15 Ext, Rear Bumper Mtg	R 4783130 L 4783131	s #2.5 s #2.5	69.10 77.60
#w/Lower Deck Opening Panel Removed			
16 Brkt, Vehicle Recovery	R 4783008		31.10
17 Brkt, Rear Rail			
Muffler Support	L 5256900		13.60
Reinf, Rear Floor Pan			
18 Seat Belt Anchor	4814121		87.50
19 Rear Seat	96-99 4655973 00 4655973AB		220.00 162.00
20 Brkt, Reinf/Qtr Inner	96-99 R/L 4655994 00 R/L 4655994AB		6.10 6.10



21 Midg, Upper Trough	5288441	.3	255.00
22 Trough, Upper	4856729	#5.5	315.00
#w/Convertible Top, Interior Trim & Exterior Trim Removed			
23 W/Strip, Deck Lid Opng	96-99 4658540AB 00 4658540AB	.2	63.85 63.85

INTERIOR TRIM

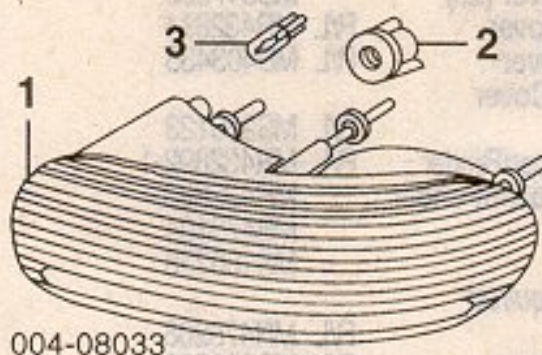


1 Carpet, Luggage Comp	QN32HSBAB	.5	242.00
2 Cover, Spare Wheel	96-99 LH39HSBAB 00 LH39HSBAB		35.35 35.35
Support, Spare Wheel	4696566		5.75
3 Trim, Front Comp	96 MF84HSBAB 97-99 MF84HSBAB 00 MF84HSBAC	.3 .3 .3	48.95 48.95 52.10
4 Trim, Rear Comp	JV91SAZ	.2	21.60

REAR LAMPS

COMBINATION LAMP

R&I Combination Lamp.....	R/L	3
---------------------------	-----	---

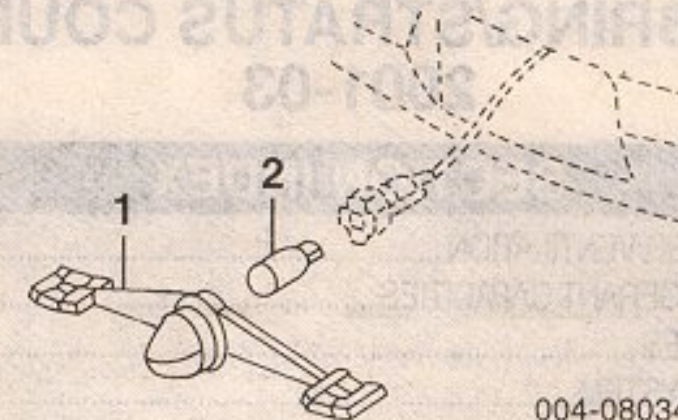


1 Lamp, Combination	96-98 R 5016114AA L 5016115AA 99-00 R 5288608AD L 5288609AD	.3 .3 .3 .3	229.00 229.00 207.00 207.00
2 Nut, Mounting (2/Side)	1996 R/L 4630461 1997-00 R/L 6502589		2.35 1.85
Socket, Stop/Signal	R/L 4450816		9.50
3 Bulb			
Back-Up	R/L L0000921	#3	1.95
Signal/Stop/Tail	R/L 154851AA	#3	1.53
#R&R One Side Complete, Included in R&R Combination Lamp			

LICENSE LAMP

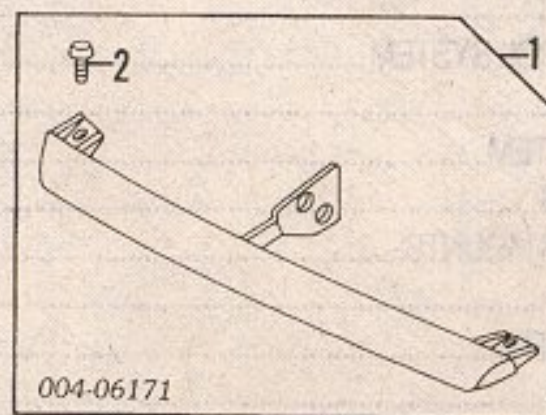
1 Lamp, License	5303021	#2	12.25
-----------------	---------	----	-------

Illustration Located in Next Column



2 Bulb, License Lamp	L0000168	#2	.65
#R&R Complete, Included in R&R Rear Cover			

HIGH MOUNT STOP LAMP



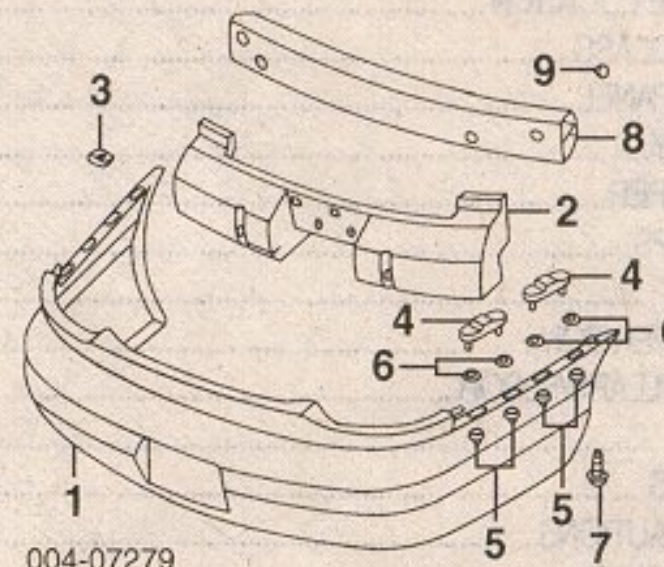
1 Lamp Assy, Stop	5303192	#2	143.00
#Included in R&R Upper Trough Moulding			
2 U-Nut, Mounting (2)	6101308		1.45
!Included w/Stop Lamp Assy			
Bulb	L0000921		1.95

REAR BUMPER

Use Procedure Explanations 27 and 28 with the following text.

Refinish Rear Cover.....	2.4
R&I Bumper Assy.....	1.0
O/H Bumper Assy (Includes R&I).....	1.2

NOTE: All Parts in this section are included in overhaul unless noted otherwise.



1 Cover, Rear (P)	5288541	#1.2	612.00
(P) Paint to Match			
2 Absorber, Impact	5288008AB	#1.2	70.75
#R&R Complete			
Nameplate			
"Limited"	5288784AA	.2	31.75
"Sebring JX"	5288434	.2	29.95
"Sebring"	5288783AA	.2	25.20
"Sebring JXi"			
Chrome	5288435	.2	30.45
Gold	5288782AA	.2	37.35
3 U-Nut, Mounting			
(2/Side)	R/L 6504118		1.70
4 Retainer, Cover			
(2/Side)	R/L 5288001		4.25
5 Nut, Cover/Qtr Panel			
(4/Side)	R/L 6100048		2.35
6 Nut, Spring (2/Side)	R/L 6100840		1.70
7 Bolt, Cover/Qtr Panel (1)	R/L 6100558		1.25
!As Required			
8 Bar, Reinforcement	5288004	#2	139.00
#w/Bumper Assy Removed			
9 Nut, Reinf Mounting			
(2/Side)	R/L 6101446		2.10

SEBRING/STRATUS COUPE 2001-03

SEBRING/STRATUS COUPE 2001-03

SECTION INDEX

A/C HEATER/VENTILATION.....	133
A/C REFRIGERANT CAPACITIES.....	133
ABS/BRAKES.....	135
AIR BAG SYSTEM.....	135
AIR CLEANER.....	138
BACK WINDOW.....	147
CENTER CONSOLE.....	141
CLEAR COAT IDENTIFICATION.....	130
COOLING.....	132
COWL & DASH.....	141
CRUISE CONTROL SYSTEM.....	135
ELECTRICAL.....	139
EMISSION SYSTEM.....	139
ENGINE/TRANS.....	138
ENGINE/TRANS MOUNTS.....	138
EXHAUST.....	139
FRONT BUMPER.....	130
FRONT DOOR.....	144
FRONT DRIVE AXLE.....	136
FRONT FENDER.....	133
FRONT INNER STRUCTURE.....	134
FRONT LAMPS.....	131
FRONT SEAT.....	142
FRONT STEERING LINKAGE/GEAR.....	136
FRONT SUSPENSION.....	136
FUEL TANK.....	149
GRILLE.....	131
HOOD.....	131
INFORMATION LABELS.....	130
INSTRUMENT PANEL.....	141
LUGGAGE LID.....	148
PAINT CODE LOCATION.....	130
QUARTER GLASS.....	148
QUARTER PANEL.....	147
REAR BODY.....	149
REAR BUMPER.....	151
REAR LAMPS.....	150
REAR SEAT.....	144
REAR SUSPENSION.....	148
ROCKER/PILLARS/FLOOR.....	142
ROOF.....	146
SEAT BELTS.....	144
SPECIAL CAUTIONS.....	130
STEERING PUMP.....	137
STEERING WHEEL/COLUMN.....	137
SUNROOF.....	146
TRANS OIL COOLER.....	133
UNDERHOOD DIMENSIONS.....	134
WHEEL.....	135
WINDSHIELD.....	140

SPECIAL CAUTIONS

AIR BAGS

Refer to Procedure Explanation 29 for Supplemental Restraint/Air Bag Special Cautions.

PAINT CODE LOCATION

Paint code located on right side of dash panel.

CLEAR COAT IDENTIFICATION

All colors are clear coat. White (Code W69) is three stage.

INFORMATION LABELS

Label, Air Bag Warning	01 MB682048	1.95
	02-03 MB891604	4.10
Label, Emission		
Sebring		
4 Cyl	01 MR560184	3.35
	02 MR561192	1.25
	03 MR988047	3.70
6 Cyl	01 MR514451	3.35
	02 N.A.	0.00
	03 MR988651	3.70
Stratus		
4 Cyl	01 MR507888	3.35
	02 MR561192	1.25

6 Cyl	03 MR988047	3.70
	01 MR507829	3.10
	02 N.A.	0.00
	03 MR988651	3.70
Label, Fuel	MD351518	2.20
Label, Jack Caution	MR369739	1.45
Label, Refrigerant Caution	MR513120	.50
Label, Service Points		
4 Cyl	01-02 MD367368	4.45
	03 MD367368	4.45
6 Cyl	MD359240	4.45
Label, Shift Lock	MB580890	1.45
Label, Spark Plug Caution	MD325016	2.00
Label, Tire Pressure		
2001		
4 Cyl	MR510183	3.50
6 Cyl	MR510184	3.00
2002-03	MR403493	3.50

†Order by Application

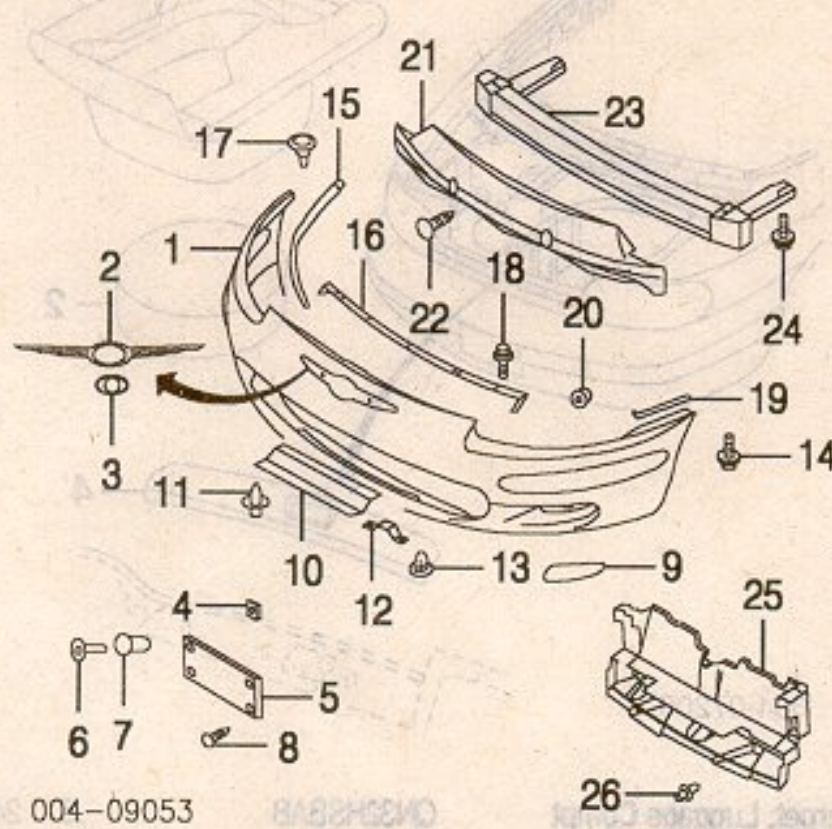
FRONT BUMPER

Use Procedure Explanations 1 and 28 with the following text.

SEBRING 2001-02

Refinish Front Cover.....	2.5
R&I Outer Access Hole Cover.....	R/L .1
R&I Front Cover Assy.....	1.0
R&I Bumper Assy.....	#1.5
#Includes R&I Front Cover Assy	
O/H Bumper Assy (Includes R&I).....	2.6

NOTE: All Parts in this section are included in overhaul unless noted otherwise.

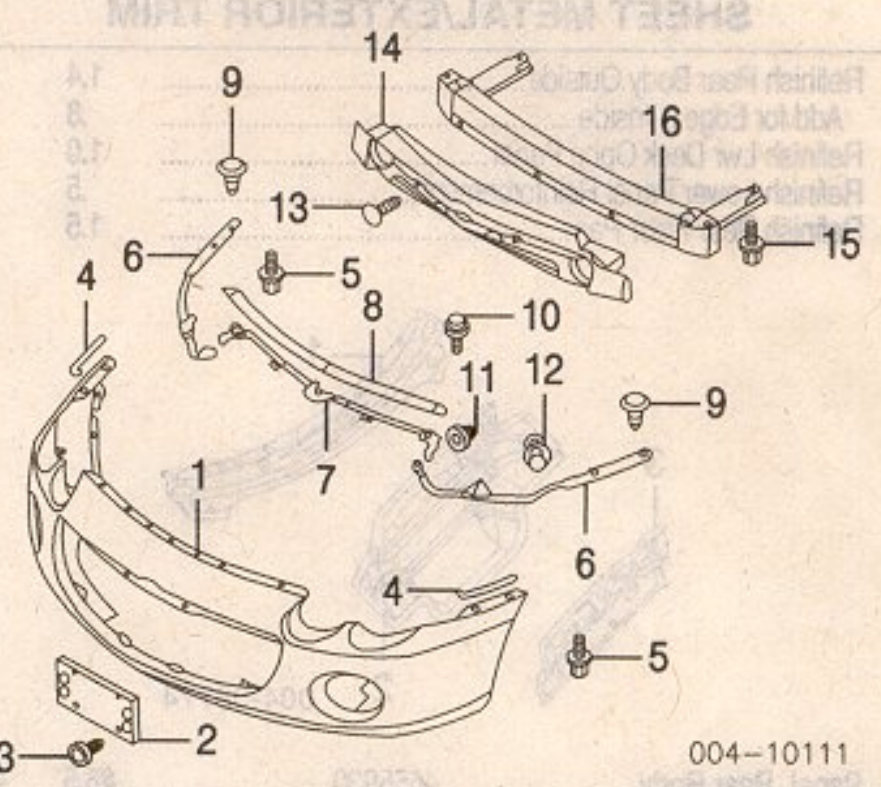


1 Cover, Front (P)	MR516340	2.2	279.00
<i>(P) Paint to Match</i>			
2 Emblem, Cover (Adhesive)	MR478622	#.2	21.25
3 Medallion, Emblem (Adhesive)	MR478623	#.2	7.75
#R&R Complete			
4 Nut, Mounting (3)	MB325619		1.70
5 Plate, License Mtg	MR432896	.2	20.45
6 Screw, License Mtg	R/L MS350014		1.75
7 Nut, Front Cover (2/Side)	R/L MU435004		.85
8 Screw, Mtg (3)	MS450925		1.10
9 Cover, Outer Access Hole	R/L MR463927-8	.1	2.45
10 Cover, Inner Access Hole	MR511999		3.35
11 Clip, Front Cover (20)	MB547806		2.10
12 Plate, Front Cover	R/L MR432894		6.45
13 Clip, Front Cover	R/L MB403435		3.20
14 Screw, Front Cover (2/Side)	R/L MS240123		1.45
15 Plate, Outer Cover/Fender	R/L MR432892-1		15.70
16 Plate, Inner Cover/Fender	MR432893		6.60
17 Clip, Plate (4)	MB475404		1.95
18 Bolt, Plate†	MS100238		1.85
<i>†As Required</i>			
19 Pad, Cover	R/L MR478208		.25
20 Nut, Front Cover	R/L MS440502		1.35
21 Absorber, Impact	MR462385	#2.4	47.75
#Includes R&R Front Cover			
22 Bolt, Absorber	R/L MR557942		.35
23 Reinforcement	MR557941	2.6	199.00
24 Bolt, Reinforcement	R/L MU240156		2.10
25 Deflector, Air	MR447490	#.2	22.70
#w/Front Cover Removed			
26 Clip, Deflector	MR328954		1.35

SEBRING 2003

Refinish Front Cover.....	2.5
R&I Front Cover Assy.....	1.0
R&I Bumper Assy.....	#1.5
#Includes R&I Front Cover Assy	
O/H Bumper Assy (Includes R&I).....	2.6

NOTE: All Parts in this section are included in overhaul unless noted otherwise.

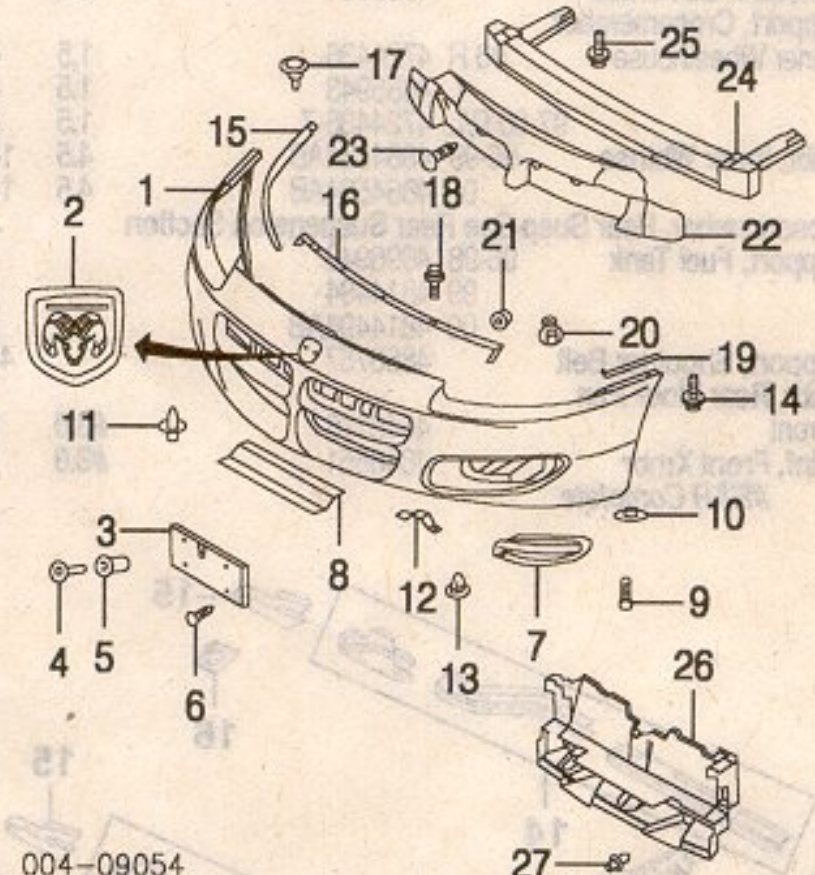


1 Cover, Front (P)	MR990728	2.2	184.00
<i>(P) Paint to Match</i>			
2 Plate, License Mtg	MR971033	.2	11.35
3 Screw, Mtg (2/Side)	R/L MS350017		0.00
4 Pad, Cover	R/L MR478208		.25
5 Screw, Front Cover (2/Side)	R/L MS240123		1.45
6 Plate, Front Cover	R/L MR598826-5		10.25
7 Plate, Upper	MR598822		6.10
8 Garnish, Front Cover	MR971697		6.25
9 Clip, Plate	R/L MB475404		1.95
10 Bolt, Mounting (2/Side)	R/L MF140005		.70
11 Nut, Front Cover	R/L MR971697		6.25
12 Clip, Cover	R/L MB547806		2.10
13 Bolt, Absorber	R/L MR557942		.35
14 Absorber, Impact	MR957871	#2.4	40.75
#Includes R&R Front Cover			
15 Bolt, Reinforcement (2/Side)	R/L MS240295		1.75
16 Reinforcement	MR557941	2.6	199.00

STRATUS 2001-02

Refinish Front Cover.....	2.5
R&I Front Cover Assy.....	1.0
R&I Bumper Assy.....	#1.5
#Includes R&I Front Cover Assy	
O/H Bumper Assy (Includes R&I).....	2.4
Add to R&R or O/H Front Bumper w/Fog Lamps.....	.2

NOTE: All Parts in this section are included in overhaul unless noted otherwise.



1 Cover, Front (P)	MR516339	2.0	279.00
<i>(P) Paint to Match</i>			
2 Emblem, Cover (Adhesive)	MR478633	.2	13.85
3 Plate, License Mtg	MR432910	.2	20.45
4 Screw, License Mtg	R/L MS350014		1.75
5 Nut, Mounting (3/Side)	R/L MU435004		.85
6 Screw, Mtg (3)	MS450925		1.10
7 Cover, Outer Access Hole	R/L MR416029-30	.1	4.10
8 Cover, Inner Access Hole	MR511999		3.35
9 Clip, Front Cover (4)	MU000241		.35
10 Nut, Clip (4)	MU440019		.85
11 Clip, Front Cover	R/L MB547806		2.10
12 Plate, Front Cover	R/L MR432911		6.45
13 Clip, Cover Plate	R/L MB403435		3.20
14 Screw, Front Cover (2/Side)	R/L MS240123		1.45
15 Plate, Outer Cover/Fender	R/L MR432891-2		15.70
16 Plate, Inner Cover/Fender	MR432893		6.60
17 Clip, Reinf Plate (4)	MB475404		1.95
18 Bolt, Plate (3)	MU140009		1.95
19 Pad, Cover	R/L MR478208		.25
20 Clip, Front Cover	R/L MB547806		2.10
21 Nut, Front Cover	R/L MS440502		1.35
22 Absorber, Impact	MR462386	#2.2	44.35