

#Includes R&I/R&R Combination Lamp Assemblies
 R&I Bumper Assy #1.3
 #Includes R&I Rear Cover Assy
 O/H Bumper Assy (Includes R&I) #2.0
 #Includes R&I/R&R Combination Lamp Assemblies
 NOTE: All Parts in this section are included in overhaul unless noted otherwise.



1	Cover, Rear (P) (P) Paint to Match Nameplate (Adhesive) 2001	4805449AA	1.8	325.00
2	"LIMITED"	4805556AA	.2	23.25
3	"LX"	4805557AA	.2	15.60
4	"LXI"	4805554AB	.2	8.95
5	"Sebring"	4805552AA	.2	25.20
	2002-See Luggage Lid Section			
	Absorber, Impact	4805451AA	IOH	104.00
6	Bar, Reinforcement	4805813AA	IOH	76.45
	Screw, Reinf Bar Mtg (3)	6503819		1.70
	Nut, Reinf Bar (4)	6101446		2.10

SEBRING CONVERTIBLE
 1996-00

SECTION INDEX

A/C HEATER	116
A/C REFRIGERANT CAPACITIES	116
ABS/BRAKES	118
AIR BAG SYSTEM	118
AIR CLEANER	121
CENTER CONSOLE	123
CLEAR COAT IDENTIFICATION	115
CONVERTIBLE TOP	126
COOLING	116
COWL & DASH	122
CRUISE CONTROL SYSTEM	118
ELECTRICAL	121
EMISSION SYSTEM	121
ENGINE/TRANS	120
ENGINE/TRANS MOUNTS	120
EXHAUST	121
FRONT BUMPER	115
FRONT DOOR	125
FRONT DRIVE AXLE	119
FRONT FENDER	117
FRONT INNER STRUCTURE	117
FRONT LAMPS	116
FRONT STEERING LINKAGE/GEAR	119
FRONT SUSPENSION	119
FUEL TANK	128
GRILLE	115
HOOD	116
INFORMATION LABELS	115
INSTRUMENT PANEL	122
LUGGAGE LID	128
PAINT CODE LOCATION	115
QUARTER GLASS	127
QUARTER PANEL	127
REAR BODY	128
REAR BUMPER	129
REAR LAMPS	129
REAR SUSPENSION	128
ROCKER/PILLARS/FLOOR	124
SEAT	124
SEAT BELTS	125
SPECIAL CAUTIONS	115
STEERING PUMP	119
STEERING WHEEL/COLUMN	120
TRANS OIL COOLER	116
UNDERHOOD DIMENSIONS	117
WHEEL	118
WINDSHIELD	122

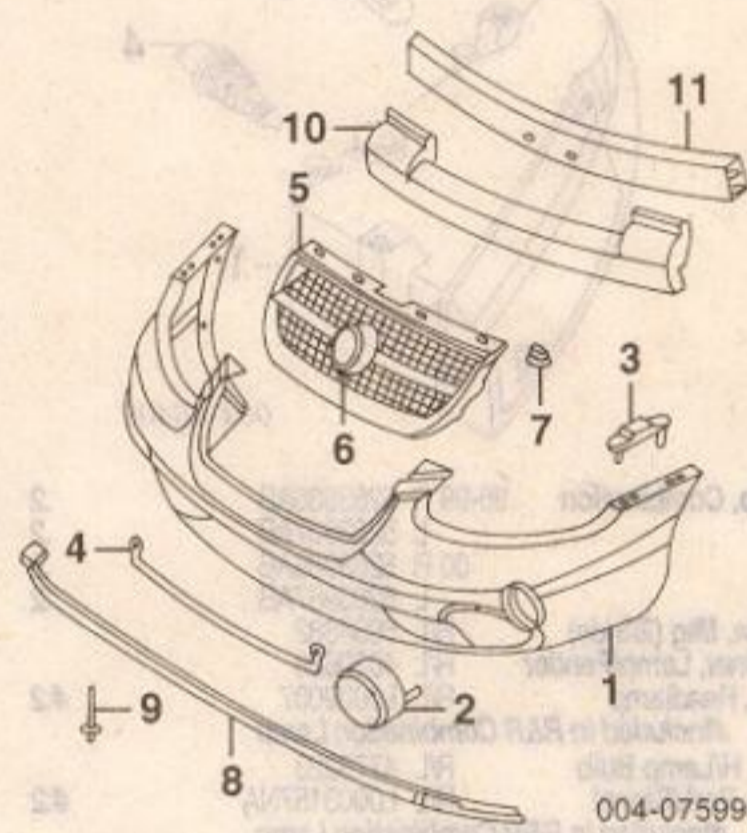
w/Calif Emission	96 4591295	4.35
	97 4792518	4.00
	98 4891110AA	3.75
	99 4591510AA	3.20
	00 4591487AA	3.75
w/o Calif Emission	96 4591504	4.35
	97 4792516	4.00
	98 4891108AA	3.75
	99 4591498AA	3.20
	00 N.A.	0.00
	4592114	3.50
Fan Caution†		
†Located Under Hood		
Unleaded Fuel Only†	4696812	2.75
†Located on Fuel Door		

FRONT BUMPER

Use Procedure Explanations 1 and 28 with the following text.

Refinish Front Cover	2.3
R&I Bumper Assy	1.0
O/H Bumper Assy (Includes R&I)	1.8
Add to O/H Bumper Assy	
w/Fog Lamps	.3

NOTE: All Parts in this section are included in overhaul unless noted otherwise.



1	Cover, Front (P) (P) Paint to Match	5288084	1.6	349.00
2	Cover, Fog Lamp Hole JX Model	R/L 5288118	.2	5.70
	Retainer, Lamp Cover (2/Side)	R/L 6502988		1.25
3	Retainer, Cover Upper	R/L 5288001		4.25
4	Support, Cover Lower	96-98 5288115		9.20
5	Grille-See Grille Section			
6	Emblem, Grille-See Grille Section			
7	Clip, Grille Mtg-See Grille Section			
8	Dam, Air	5288163	.3	16.45
9	Rivet, Air Dam (7)	96 6100266		1.45
	Screw, Air Dam (7)	97-00 6100286		2.25
10	Foam, Impact Absorbing	5263997	IOH	69.70
11	Reinforcement	5288491	#.2	187.00
	#w/Bumper Cover Removed			
	Mount Pkg, License Plate	5263998	#.2	16.10
	#Included in R&R Front Cover			

SPECIAL CAUTIONS

AIR BAGS

Refer to Procedure Explanation 29 for Supplemental Restraint/Air Bag Special Cautions.

PAINT CODE LOCATION

Paint code located on left door jamb.

CLEAR COAT IDENTIFICATION

All colors are clear coat.

INFORMATION LABELS

Air Bag Maintenance	96 4696310	1.45
Air Bag Referral†	96-98 4897875AA	.50
	99-00 4787437AA	0.00
Air Bag Warning†	96 4775166	2.70
	†Located on Driver Side Sun Visor	
Accessory Drive Belt†	4573732	1.75
Emissions†		
4 Cyl		
w/Calif Emission	96 4591297	4.35
	97 4792525	4.00
	98 4891105AB	3.35
	99 4591497AA	3.20
w/o Calif Emission	96 4591296	4.35
	97 4792523	4.00
	98 4891104AB	3.50
	99 N.A.	0.00
6 Cyl		

GRILLE

R&I Grille #2
 #Included in R&R or O/H Front Bumper



1	Grille			
	1996-97	5264000	#.2	224.00
	1998†	QN88VAWAB	#.2	265.00
	1999-00			
	Black	QN88DXBAB	#.2	265.00
	Chrome	5288605AB	#.2	224.00
	Champagne Pearl	QN88VTEAB	#.2	265.00
	Deep Slate	QN88VAWAB	#.2	265.00
	Frost	QN88TTKAB	#.2	265.00
	Green	99 QN88SG8AB	#.2	265.00
		00 QN88XGRAB	#.2	265.00
	Inferno Red	QN88WELAB	#.2	265.00
	Silver	99 QN88MS4AB	#.2	265.00
		00 QN88WS2AB	#.2	265.00
	†Deep Slate listed, Order by Application			
	#Included in R&R or O/H Front Bumper			

SEBRING CONVERTIBLE 1996-00

GRILLE Cont'd

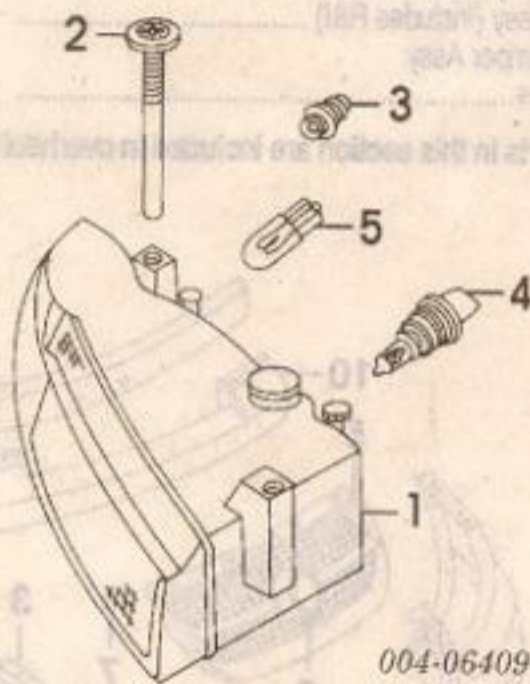
2 Emblem, Grille "Chrysler" Pentastar	5288164 96-98 5288167 99 5288940AA 00 5288940AA	#.1 #.1 #.1 #.1	15.00 14.45 54.85 54.85
#Included in R&R Grille			
3 Clip, Grille Mtg As Required	6502988		1.25

FRONT LAMPS

COMBINATION LAMP

Aim Lamps		4
R&I Combination Lamp Assy	R/L	2

NOTE: R&R Does Not include aim lamps.



004-06409

1 Lamp, Combination	96-99 R 5263986AB L 5263987AB 00 R 5263986AB L 5263987AB	2 2 2 2	332.00 332.00 332.00 332.00
2 Screw, Mtg (2/Side)	R/L 6034882		5.35
3 Retainer, Lamp/Fender	R/L 4630626		1.20
4 Bulb, Headlamp	R/L L0009007	#.2	10.70
#Included in R&R Combination Lamp			
Seal, H/Lamp Bulb	R/L 4778223		6.45
5 Bulb, Park/Signal	R/L L0003157NA	#.2	1.70
#Included in R&R Combination Lamp			
Panel, H/Lamp Mtg-See Front Inner Structure Section Module, DRL -See Front Inner Structure Section			

FOG LAMP

R&I Fog Lamp	R/L	#.2
#R&I Both .3, Included in R&R/O/H Front Bumper Assy		



004-07203

1 Lamp, Fog	R/L 5288078	#.2	93.75
#Included in R&R/O/H Front Cover, R&R Both .3			
U-Nut, Mounting	R/L 6503912		1.75
Bulb	R/L L0009006	#.2	10.00
#Included in R&R Fog Lamp			

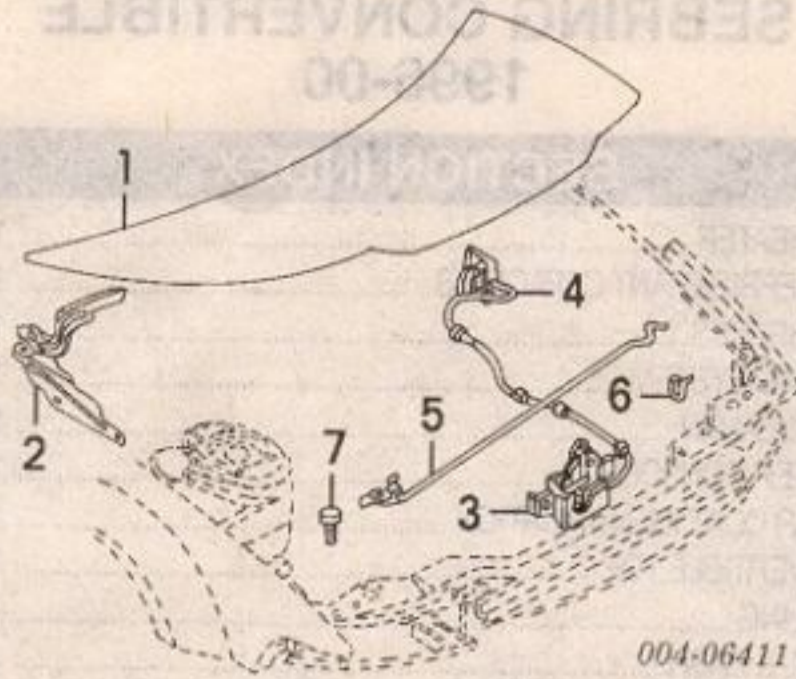
HOOD

Use Procedure Explanations 4 and 28 with the following text.

Refinish Hood Outside		2.4
Add for Underside		1.2
Refinish Hinge	R/L	4
R&I Hood Assy		4

Illustration Located in Next Column

1 Panel, Hood	96-98 4655861AC 99 4655861AC 00 4655861AC	1.0 1.0 1.0	522.00 522.00 522.00
Insulator	96-97 4724451AB 98-00 4724451AB	#.3 #.3	38.25 38.25
#Included in R&R Hood Panel			
Retainer, Insulator	6502842		1.85
As Required			
Pin, Insulator (14)	6504098		1.50
2 Hinge	R/L 4724320-1	#.2	25.60
#w/Hood & Cowl Top Panel Removed			
3 Latch	4724311AC	3	34.35

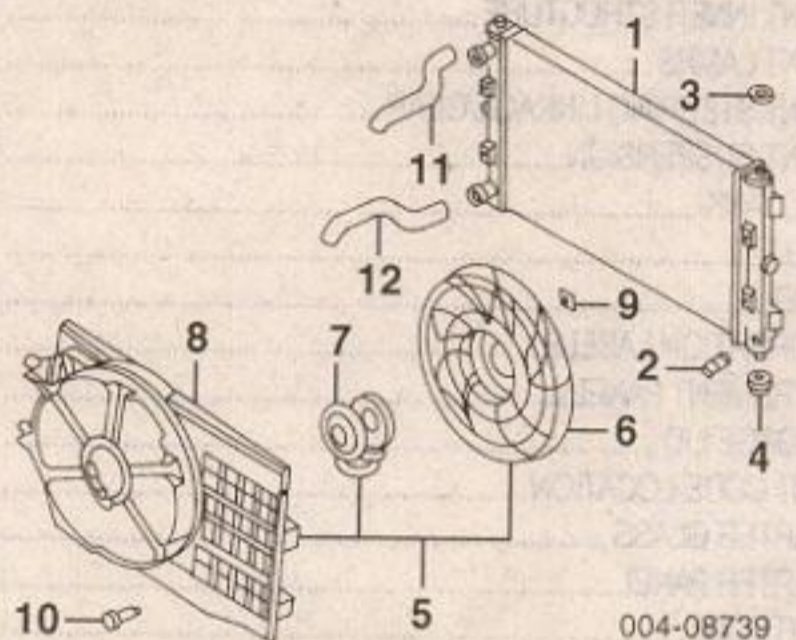


004-06411

4 Cable, Release	4697000	.6	36.35
5 Rod, Prop	4696298	.1	18.60
Bushing, Rod Pivot	4716486		1.75
6 Clip, Hold-Down	6035253		2.25
Seal, Hood Front	4646498		26.10
7 Bumper, Front	R/L 4696592	.1	2.85
Seal, Hood Rear-See Cowl & Dash Section			

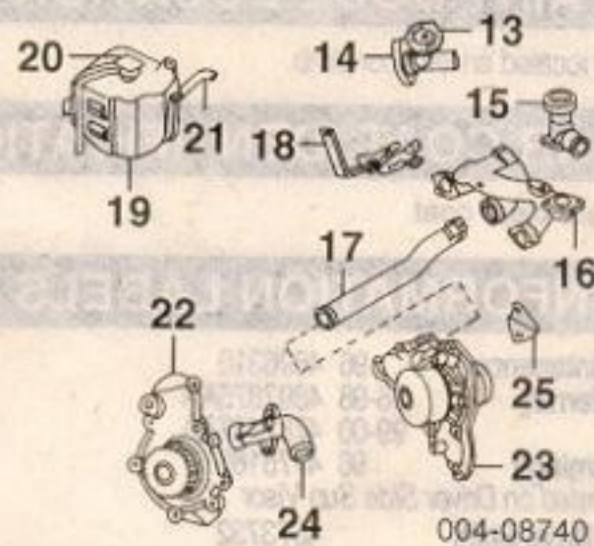
COOLING

Use Procedure Explanations 5 and 28 with the following text.



004-08739

1 Radiator	4 Cyl Man Trans Auto Trans 6 Cyl	4741108 4596399AA 4741110	1.2 1.4 1.4	310.00 310.00 325.00
2 Draincock		4644269		3.45
3 Bushing, Upper Mtg	R/L	4596836		4.25
4 Bushing, Lower Mtg	97-99 R/L 00 R/L	4741109 4596836		5.85 4.25
5 Module, Radiator Fan	99-00	5278537AA	.4	172.00
#Includes Fan, Motor & Shroud				
6 Blade, Fan	96-98	4798545	#.7	78.60
7 Motor, Fan	96-98	4863999	#.7	317.00
8 Shroud	96-98	4798544	#.7	83.20
#R&R Complete, w/Radiator Removed .4				
9 Clip, Fan/Motor		6500377		3.20
10 Clip, Retainer		4796299		1.60
Nut, Shroud Mtg (4)		4546552		2.00
11 Hose, Rad Upper	4 Cyl 6 Cyl	4596735 4546910	#.5 #.5	16.50 16.85
12 Hose, Rad Lower	4 Cyl 6 Cyl	4596734 4592160	#.7 #.7	19.20 32.20
#R&R Upper & Lower 1.0				



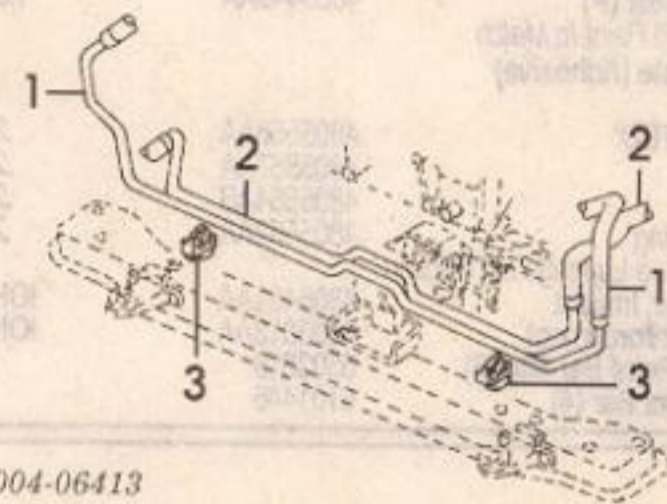
004-08740

13 Cap, Radiator	4 Cyl 6 Cyl	3781830 4596198	9.35 12.45
Fitting, Cap/Outlet			
14 4 Cyl		4663501	12.70
15 6 Cyl		MD308982	17.20
16 Housing, Thermostat	6 Cyl		
96-98 MD300969		.7	65.25
99-00 MD344841		.7	51.70
17 Pipe, Pump Inlet			

6 Cyl	MD198102	56.45
18 Pipe, By-Pass	MD322430	62.95
19 Tank, Coolant		
4 Cyl	4595575	.7 24.95
6 Cyl	4592165	.7 24.95
20 Cap, Tank	96-98 4796494 99-00 4596198	4.85 12.45
21 Hose, Overflow Pump, Water	4266423	132.00
22 4 Cyl		
96 4621489	m	3.8 97.60
97-98 4694307AB	m	3.8 80.75
99 4694307AB	m	3.8 80.75
MD973025	m	3.2 242.00
23 6 Cyl Belt, Drive-See Air Conditioning/Heater Section		
24 Pipe, Pump Inlet	4621491	16.95
25 Bracket, Pump	MD133859	4.25

TRANS OIL COOLER

STANDARD

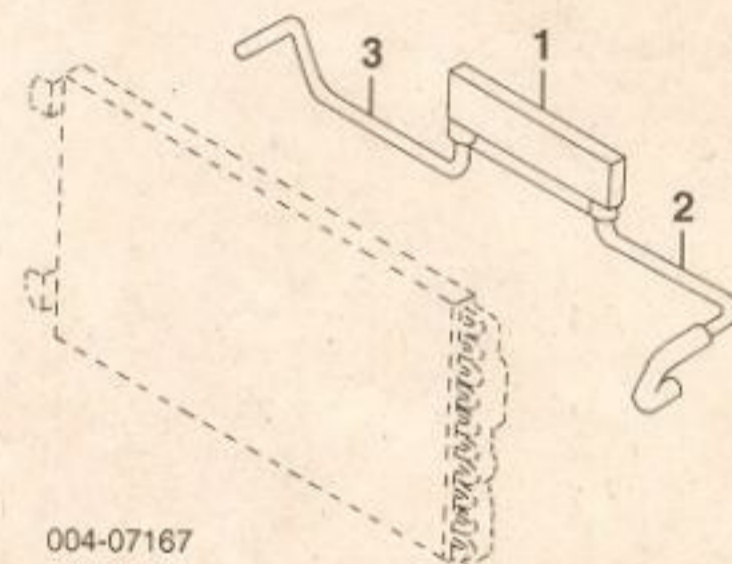


004-06413

Cooler, Oil-Serviced w/Radiator

1 Hose, Inlet	4 Cyl 6 Cyl	4592162 4546693	m #.6 m #.6	8.00 26.70
2 Hose, Outlet	4 Cyl 6 Cyl	4610051 96-99 4546814 00 4596420AB	m #.6 m #.6 m #.6	9.50 10.85 9.50
#R&R Complete				
3 Clip, Tube	6 Cyl	R/L 52002044		2.10

AUXILIARY



004-07167

1 Cooler, Auxiliary Oil	4856561	m	.5	170.00
Mtg Kit, Cooler	4796282AB			4.85
2 Hose, Inlet	96-98 4856541	m	.6	29.10
	99-00 5003610AA	m	.6	23.50
	96-98 4856542	m	.6	15.35
	99-00 5003611AA	m	.6	9.75

A/C REFRIGERANT CAPACITIES

A/C R-134a Refrigerant Capacity
1996-98: 28 Ozs (1.75 Lbs)
1999: 20 Ozs (1.25 Lbs)
2000: 19 Ozs (1.19 Lbs)

A/C HEATER

Use Procedure Explanation 6 with the following text.

Evacuate & Recharge System	m	1.4
Recover Refrigerant	m	.3

NOTE: R&R/R Does Not include recover, evacuate and recharge system.

Illustration Located in Next Column

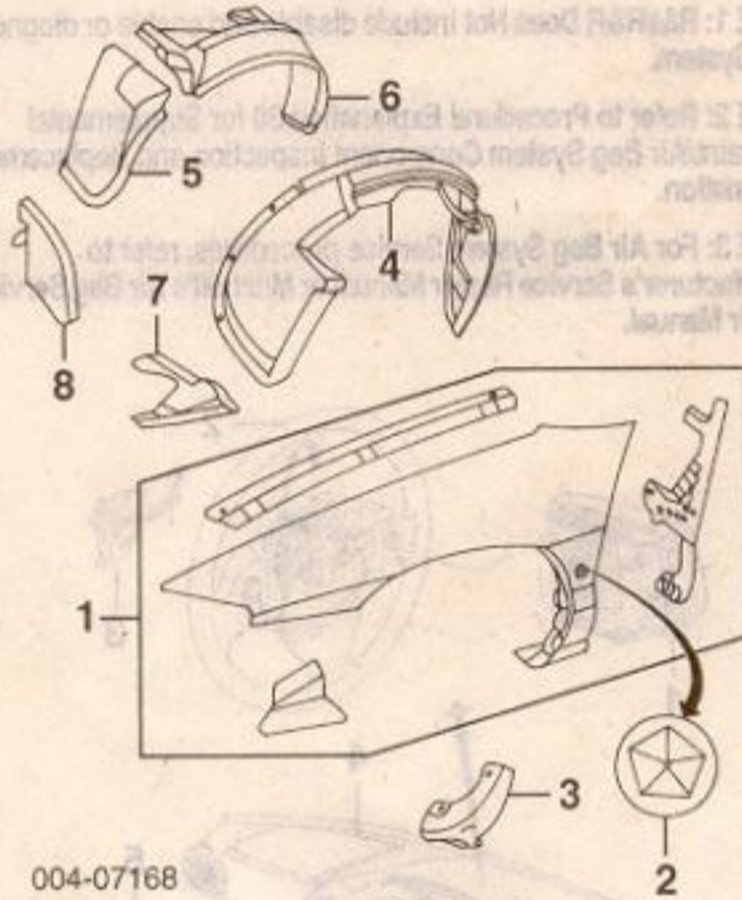
1 Condenser	96-99 5011395AB 00 5011395AB	m	1.1	384.00 384.00
2 Compressor	96-99 4595666 00 4596367AA	m #1.1 m	1.1 1.6	477.00 495.00
#w/6 Cyl Add .5				

6 Cyl	4662182	m	33.85
18 Motor, Blower	4797372	m	.4 108.00
19 Housing, Blower	4644809	m	#.6 8.25
#Includes R&R Blower Motor			
20 Door, Inlet	4644803	m	9.50
21 Door, Blend	4644822	m	16.00
22 Door, Floor	4644826	m	8.10
23 Lever, Floor Door	4644827	m	1.35
24 Door, Panel	4644821	m	12.70
25 Actuator	96 4644834	m	46.70
	97-00 4644834AB	m	46.00
26 Duct, Heater	5264739	m	18.10

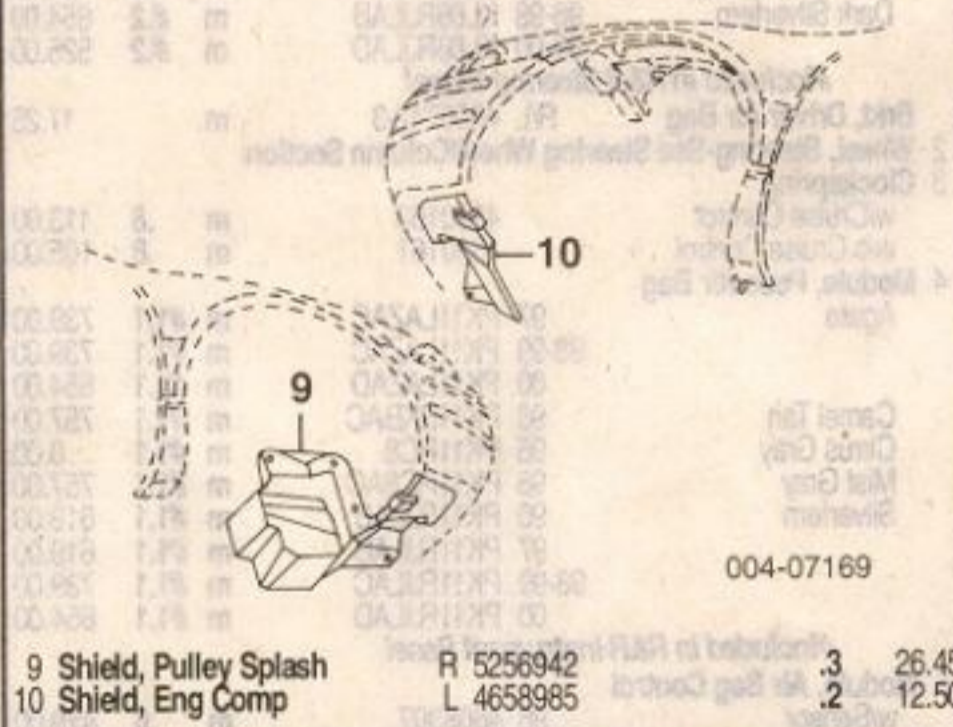
FRONT FENDER

Use Procedure Explanations 7 and 28 with the following text.

Refinish Fender Outside	R/L	2.0
Add to Edge	R/L	.5
R&I Fender Assy	R/L	#1.7
#Includes R&I/R&R Combination Lamp Assy & Fender Liner, w/Bumper Removed Deduct .4		
R&I Mudguard	R/L	.2

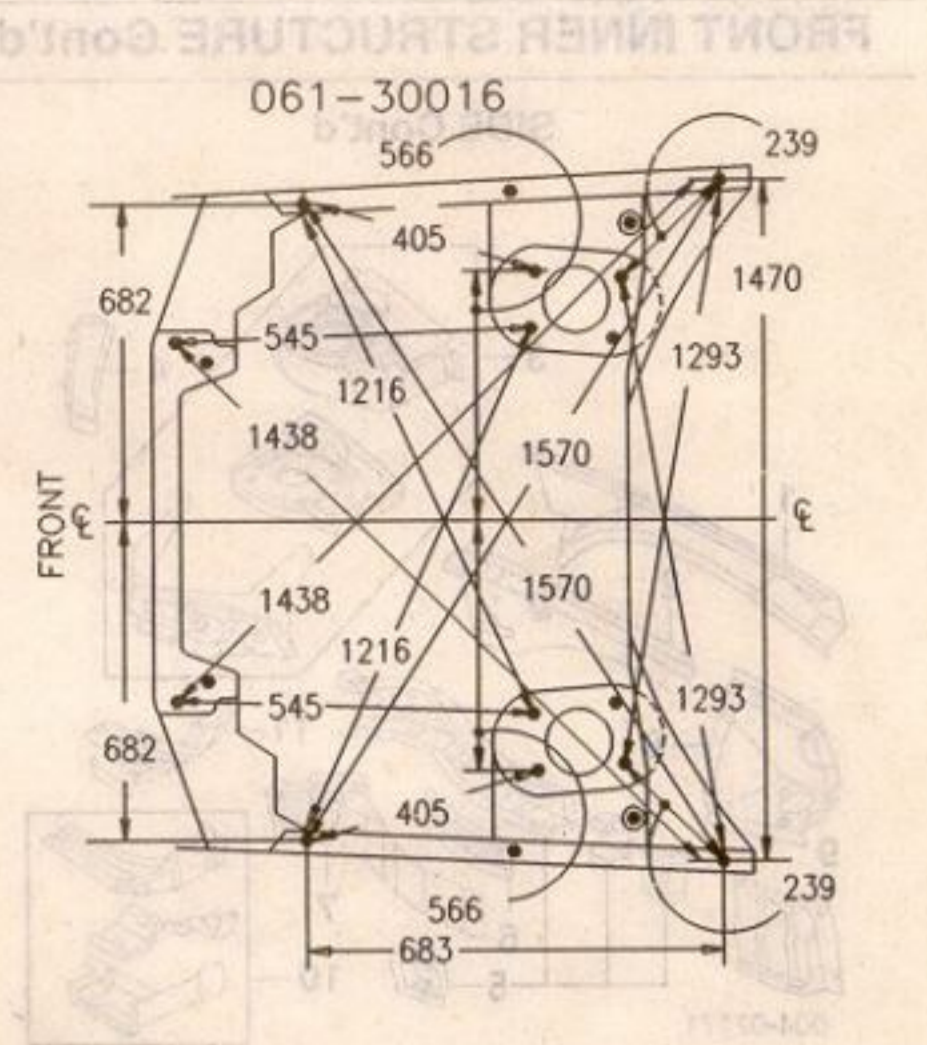


1 Fender	96-99 R 4878970AA	#2.0	334.00
	L 4878971AA	#2.0	334.00
	00 R 4878970AA	#2.0	334.00
	L 4878971AA	#2.0	334.00
#Includes R&I/R&R Combination Lamp Assy, Fender Liner & Mudguard, w/Bumper Removed Deduct .4			
2 Emblem, Pentastar	L 4630238	.2	9.95
3 Mudguard	R/L 4724212-3	.2	8.60
4 Liner, Fender Right	5256848	.4	29.75
5 Liner, Fender Left Front	5256837	.2	22.75
6 Liner, Fender Left Rear	4724411	.3	29.25
7 Shield, Lwr Front Right	4724234	.2	26.45
8 Baffle, Front	R 4724348	.2	25.35
	L 4724349	.2	27.20



UNDERHOOD DIMENSIONS

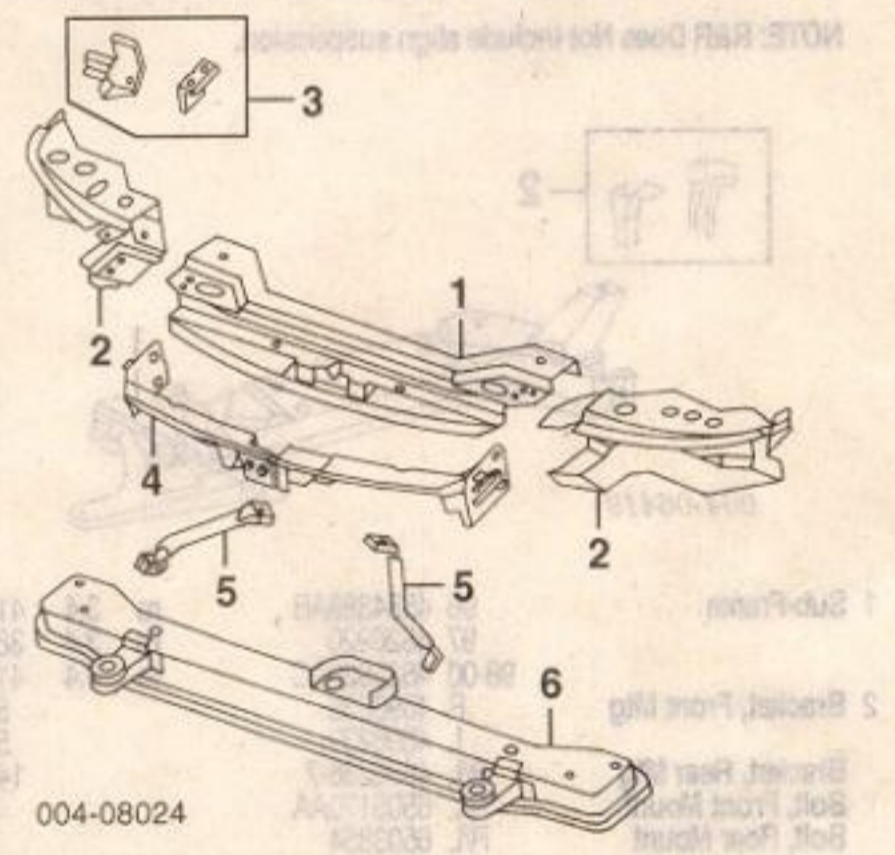
9 Shield, Pulley Splash	R 5256942	.3	26.45
10 Shield, Eng Comp	L 4658985	.2	12.50



FRONT INNER STRUCTURE

Use Procedure Explanations 8 and 28 with the following text.

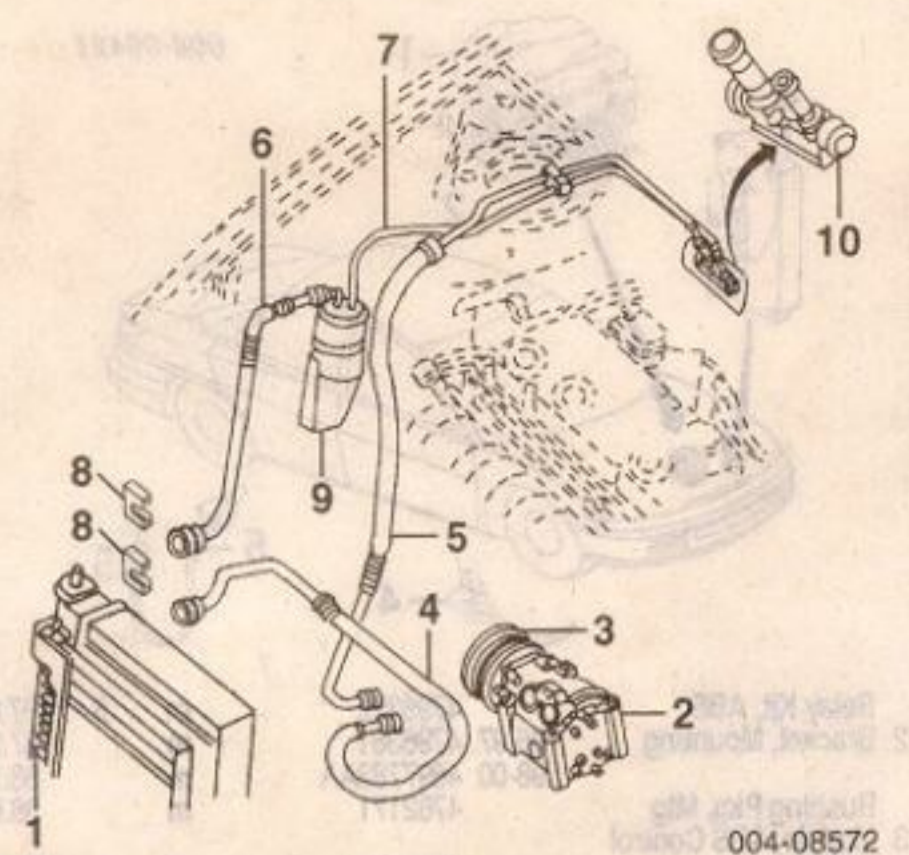
Refinish Radiator Support Complete	1.5
Refinish Upper Tie Bar	.5
Refinish H/Lamp Mtg Panel	R/L .5
Refinish H/Lamp Adapter Assy	.5
Refinish Lower Tie Bar	.5
R&R Radiator Support Complete	#8.7
#Includes R&I/R&R Radiator & Fan Assy, Hood Latch, Washer Reservoir, Lower Tie Bar, Combination Lamp, Air Cleaner Assy, Move Fuse Box for Access & Disconnect & Connect Hood Release Cable, Wiring &/or Harness, R&R Headlamp Adapter Assy, Braces & Brackets & Towing Eye	
Add to R&R Radiator Support	
To R&I/R&R Base Model Mechanical Components	m #.4
#Includes R&I/R&R A/C Condenser	
To Aim Lamps	.4
Evacuate & Recharge System	m 1.3
Recover Refrigerant	m .4



1 Tie Bar, Upper	4646169AB	#.5	102.00
2 Panel, H/Lamp Mtg	R 4724216AB	s #2.0	74.50
	L 4724217AB	s #2.0	74.50
#Included in R&R Radiator Support Complete			
3 Supt, H/Lamp/Rail	R/L 4696414-5		4.75
4 Adapter, H/Lamp	5263984	.3	57.10
5 Brace, Upper Tie Bar	R 5256818	#.1	11.60
	L 5256819	#.1	11.35
6 Tie Bar, Lower	96 4878115AA	s #3.0	180.00
	97-00 4878115AA	s #3.0	180.00
#Included in R&R Radiator Support Complete			
Brkt, Towing Eye	4724239		22.50

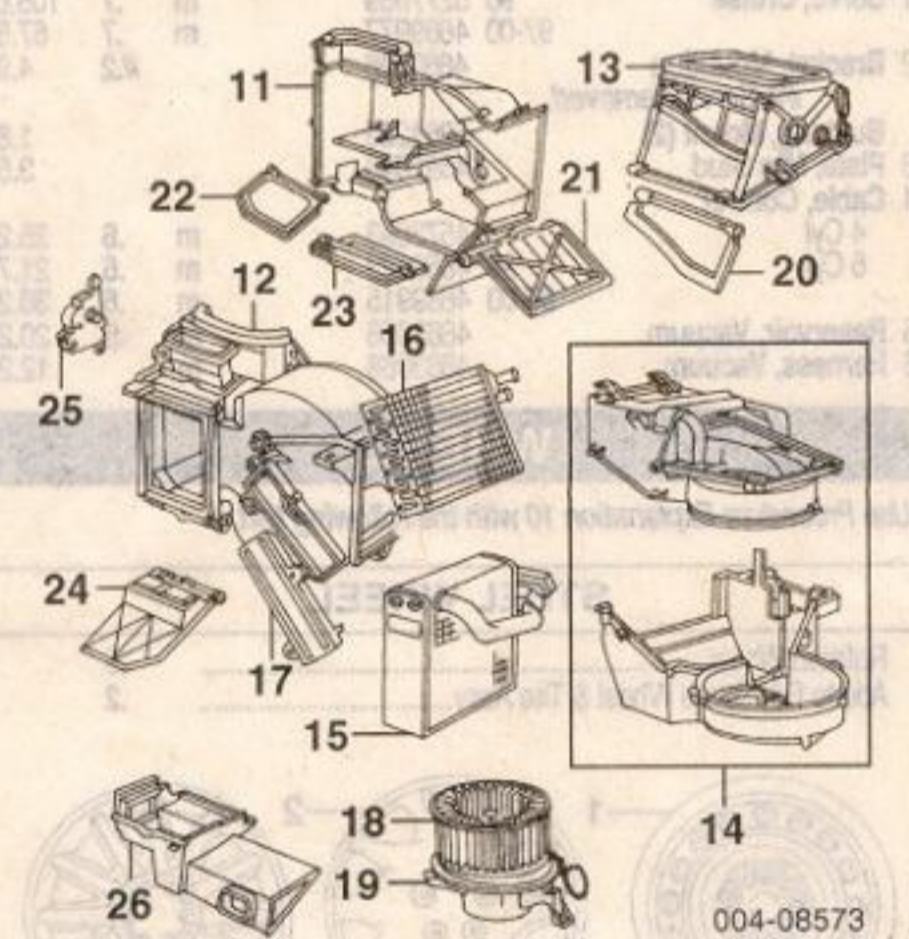
SIDE

Refinish Front Rail/Apron Assy	R/L	2.0
Refinish Apron Outer Reinf	R/L	1.0
Refinish Apron Inner Reinf	R/L	.5
Refinish Strut Tower	R/L	.5
Refinish Fender Splash Shield	R/L	.5



3 Clutch, Compressor	4762849	m	#.4 185.00
#w/Compressor Removed			
Bracket, Mtg	4792077		34.00
Collar, Adjusting	4792139		4.95
Belt, Drive			
4 Cyl	4668276	.5	22.70
6 Cyl	4668324	.5	23.35
Pulley, Idler	4792112	m	.6 15.95
Bushing, Pulley	33002201	m	3.00
Collar, Pulley			
6 Cyl	4792139	m	4.95
Spacer, Pulley			
6 Cyl	6034408	m	2.75
Bolt, Pulley Mtg			
4 Cyl	6101514		1.50
6 Cyl	6101622		1.70
4 Hose, Discharge			
4 Cyl	96 4596170	m	#1.0 121.00
	97-99 5264772	m	#1.0 162.00
6 Cyl	96 4596145	m	#1.0 120.00
	97-99 5264771	m	#1.0 119.00
	00 5264771AB	m	#1.0 124.00

5 Hose, Suction			
4 Cyl	4596171	m	#1.0 83.33
6 Cyl	4596146	m	#1.0 83.33
6 Hose, Drier/Condenser	4796288	m	#1.0 50.00
7 Line, Liquid			
Receiver Drier to Expansion Valve	4796287	m	#1.0 50.00
#Each Additional Hose or Line .5			
8 Clip, Discharge Hose	4596152	m	2.10
Clip, Liquid Hose	4596151	m	1.95
Clip, Suction Line	4596153	m	2.20
9 Receiver/Drier	4596172	m	.9 50.75
#Includes Bracket			
10 Valve, Expansion	4596192	m	1.0 68.00

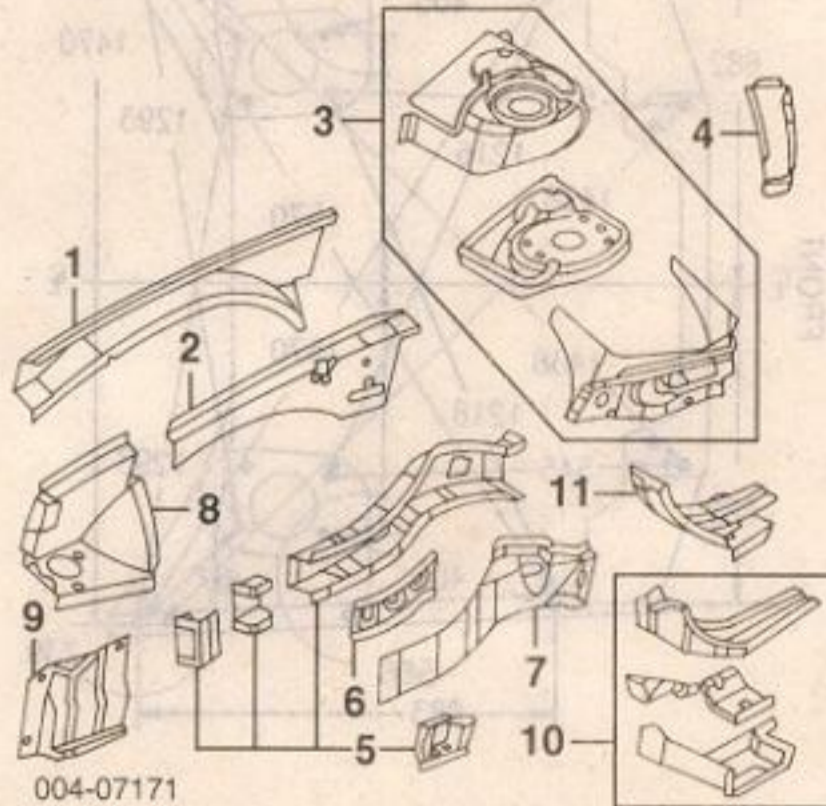


11 Housing, Evap/Heater Front	4644816	m	23.45
12 Housing, Evap/Heater Rear	4644817	m	23.45
13 Housing, Upper	4644798	m	13.70
14 Case, Evaporator	5014910AA	m	69.45
15 Evaporator	96-98 4644790	m	#5.0 119.00
	99-00 5013064AB	m	#5.0 160.00
#w/6 Cyl Add 1.0			
16 Core, Heater	4874040	m	1.5 165.00
17 Cover, Core End	4644836	m	2.50
Hose, Heater Core			
Inlet			
4 Cyl	96 4596732	m	16.95
	97-99 4595720AB	m	16.10
6 Cyl	4662181	m	31.35
Outlet			
4 Cyl	96 4596733	m	20.45
	97-99 4595721	m	24.75

SEBRING CONVERTIBLE 1996-00

FRONT INNER STRUCTURE Cont'd

SIDE Cont'd

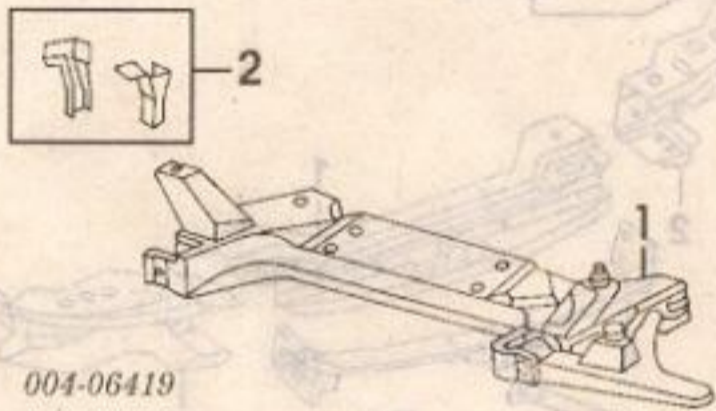


004-07171

Part No.	Description	Part No.	QTY	Unit	Price
1	Reinf, Apron Outer	R/L 4856686-7	s #2.5		63.95
2	Reinf, Apron Inner	R 4814150	s #2.5		73.70
		L 4814151	s #2.5		75.10
#R&R One Side Complete					
3	Tower, Strut	96-99 R/L 4696232-3	s 6.0		215.00
		00 R 4696232AB	s 6.0		215.00
		L 4696233AB	s 6.0		215.00
4	Ext, Strut Tower	R/L 4646700-1	1.0		6.60
5	Rail, Front Upper	R 4856712	s #8.0		119.00
		L 4856713	s #8.0		120.00
6	Gusset, Front Rail	L 4646939	s #8.0		29.50
7	Reinf, Front Rail	R 4814142	s #8.0		84.10
		L 4646137	s #8.0		102.00
#R&R Complete, w/Strut Tower Removed Deduct 2.0					
8	Shield, Fender Splash	96-98 R 4646512AB	s #2.5		25.10
		L 4646513AB	s #2.5		44.50
		99-00 R 4646512AB	s #2.5		25.10
		L 4646513AB	s #2.5		44.50
#w/H/Lamp Mounting Panel Removed 1.0					
9	Bracket, Fender	R 5256672	2		3.00
10	Rail, Front Lower	R 4783180	s #5.5		147.00
		L 4783181	s #5.5		140.00
#Includes R&R Front Lower Rail Cap					
11	Cap, Front Lower Rail	R/L 4584506-7	s 2.5		62.35

SUB-FRAME

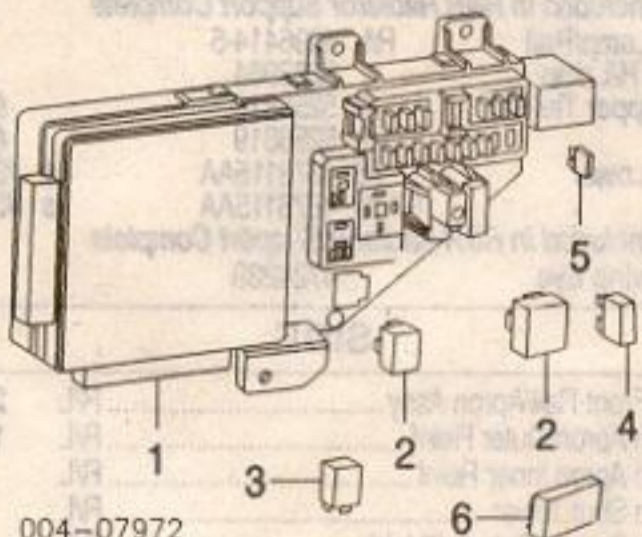
NOTE: R&R Does Not include align suspension.



004-06419

Part No.	Description	Part No.	QTY	Unit	Price
1	Sub-Frame	96 4584369AB	m 3.4		417.00
		97 4626920	m 3.4		385.00
		98-00 4626920AC	m 3.4		417.00
2	Bracket, Front Mtg	R 4696238			55.45
		L 4696239			57.95
	Bracket, Rear Mtg	R/L 4696236-7			142.00
	Bolt, Front Mount	R/L 6505170AA			2.50
	Bolt, Rear Mount	R/L 6503854			2.70

ELECTRICAL



004-07972

Part No.	Description	Part No.	QTY	Unit	Price
1	Block, Fuse/Relay	1996 4602219	m		410.00
		1997-00 4671401AA	m		139.00

#Order by Application					
2	Relay, Courtesy Lamp	4638271	m	2	16.70
	Relay, Headlamp Delay	56006846	m	2	8.35
	Relay, Horn	56006846	m	2	8.35
	Relay, Radiator Fan	56006769	m	2	31.75
	Relay, Starter	4638094	m	2	8.35
3	Relay, Compressor Clutch	4671168	m	2	10.00
	Relay, Fuel Pump	4671168	m	2	10.00
	Relay, Hi-Lo Wiper	4671168	m	2	10.00
	Relay, Intermittent Wiper	4671168	m	2	10.00
	Relay, EATX Shutdown	4671168	m	2	10.00
	Relay, Back-Up Lamp	4671168	m	2	10.00
4	Breaker, Circuit				
	20 Amp	4604235	m		3.10
5	Fuse, Mini				
	10 Amp	ATM10	m		.50
6	Module, DRL	4606139	m	2	67.50

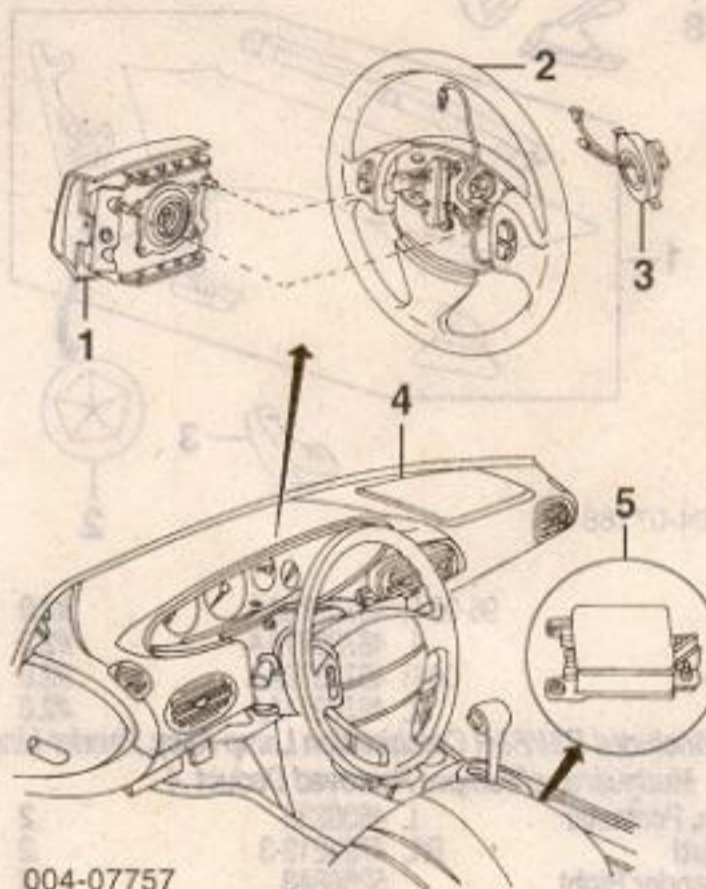
AIR BAG SYSTEM

Disable & Enable Air Bag System	m	.3
Diagnose Air Bag System (If Required)	m	#.5
#Includes Disconnect & Connect Scan Tool & Retrieve/Clear Trouble Codes		

NOTE 1: R&R Does Not include disable and enable or diagnose Air Bag System.

NOTE 2: Refer to Procedural Explanation 30 for Supplemental Restraint/Air Bag System Component Inspection and Replacement Information.

NOTE 3: For Air Bag System Service procedures, refer to Manufacturer's Service Repair Manual or Mitchell's Air Bag Service and Repair Manual.



004-07757

1	Module, Driver Air Bag				
	Agate	97-98 KL66LAZAB	m #.2		619.00
		99-00 KL66LAZAE	m #.2		552.00
	Camel Tan	96 KL66SKB	m #.2		662.00
	Dark Cirrus Gray	96 KL66RCBAB	m #.2		619.00
	Dark Silverfern	96-98 KL66RJLAB	m #.2		654.00
		99-00 KL66RJLAD	m #.2		525.00
#Included in R&R Steering Wheel					
	Brkt, Driver Air Bag	R/L 4856742-3	m		11.25
2	Wheel, Steering-See Steering Wheel/Column Section				
3	Clockspring				
	w/Cruise Control	4600163	m	.8	113.00
	w/o Cruise Control	4600161	m	.8	105.00
4	Module, Pass Air Bag				
	Agate	97 PK11LAZAC	m #1.1		739.00
		98-99 PK11LAZAC	m #1.1		739.00
		00 PK11LAZAD	m #1.1		654.00
	Camel Tan	96 PK11SKBAC	m #1.1		757.00
	Cirrus Gray	96 PK11RC8	m #1.1		0.00
	Mist Gray	96 PK11RC8AC	m #1.1		757.00
	Silverfern	96 PK11RJLAB	m #1.1		619.00
		97 PK11RJLAB	m #1.1		619.00
		98-99 PK11RJLAC	m #1.1		739.00
		00 PK11RJLAD	m #1.1		654.00
#Included in R&R Instrument Panel					
5	Module, Air Bag Control				
	w/Sensor	96 4608307	m	.6	479.00
		97-00 4671322	m	.6	522.00

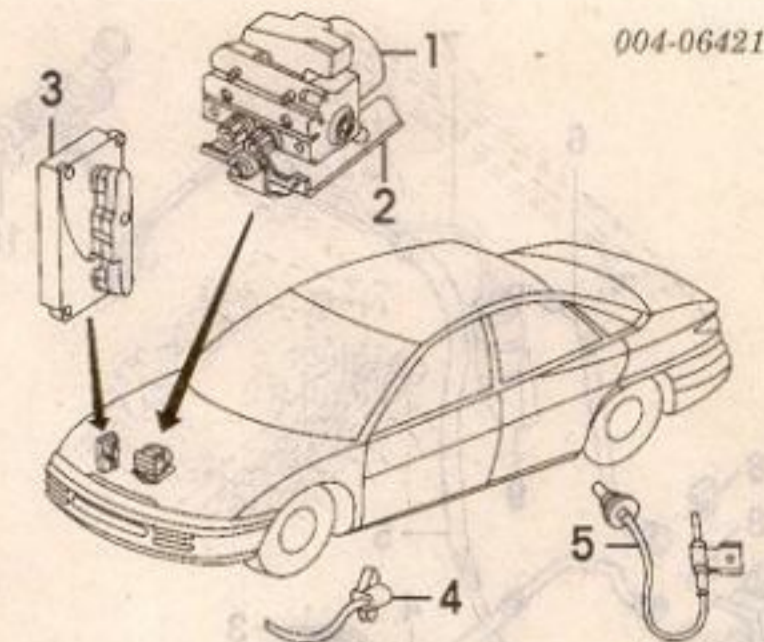
ABS/BRAKES

Bleed System	m	.6
--------------	---	----

NOTE: R&R Does Not include bleed brake system.

Illustration Located in Next Column

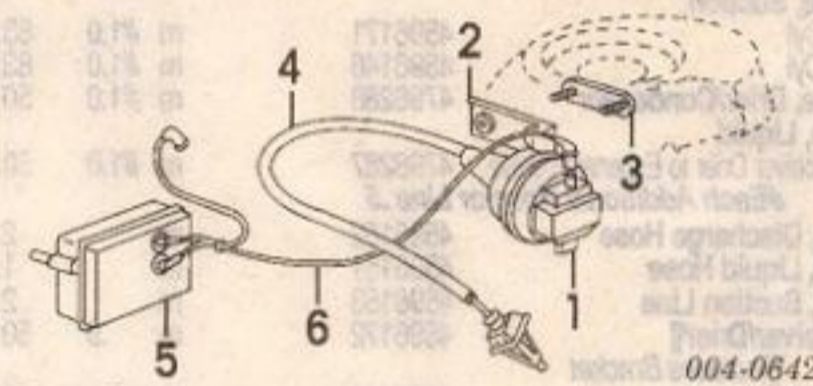
1	Hydraulic Unit, ABS				
	Rear Disc Brakes	96-97 4509871	m	2.6	600.00
		98-00 4897779AA	m	2.6	609.00
	Rear Drum Brakes	96-97 4509862	m	2.6	572.00
		98-00 4897779AA	m	2.6	609.00



004-06421

Relay Kit, ABS	4796372	m	.5	137.00	
2	Bracket, Mounting	96-97 4796361	m		37.20
		98-00 4897783AA	m		88.70
		4762171	m		36.60
Bushing Pkg, Mtg					
3	Module, ABS Control				
	1996	R4605094	m	.5	R291.00
	1997	4671221	m	.5	180.00
	1998-00				
	w/Traction Control	4671368AC	m	.5	335.00
	w/o Traction Control	4602249AC	m	.5	350.00
Valve, Proportioning					
Front					
Primary	4796359	m	#.5		42.75
Secondary	4796360	m	#.5		45.50
Rear	R 4856981	m	#.5		44.70
	L 4856982	m	#.5		41.10
#R&R Both .7					
4	Sensor, Front ABS	96-97 R 4509684	m	#.6	85.00
		L 4509685	m	#.6	56.20
		98-00 R/L 4764116-7	m	#.6	45.70
#w/Knuckle Removed .1					
5	Sensor, Rear ABS	96-97 R/L 4509686	m	#.7	98.35
		98-00 R/L 4509807	m	#.7	52.35
#w/Knuckle Removed .1					

CRUISE CONTROL SYSTEM



004-06422

1	Servo, Cruise	96 5277659	m	.7	105.00
		97-00 4669977	m	.7	67.50
2	Bracket, Mounting	4669926		#.2	4.95
#w/Servo Removed					
	Bushing, Mount (2)	5264283			1.85
	Plate, Mtg Stud	4591046			3.50
4	Cable, Control				
	4 Cyl	4573693	m	.6	35.25
	6 Cyl	96 4669623	m	.6	21.75
		97-00 4669915	m	.6	30.20
5	Reservoir, Vacuum	4663066	m	.5	20.25
6	Harness, Vacuum	4663068	m		12.20

WHEEL

Use Procedure Explanation 10 with the following text.

STEEL WHEEL

Refinish Wheel	.5
Add to R&I Spare Wheel & Tire Assy	.2



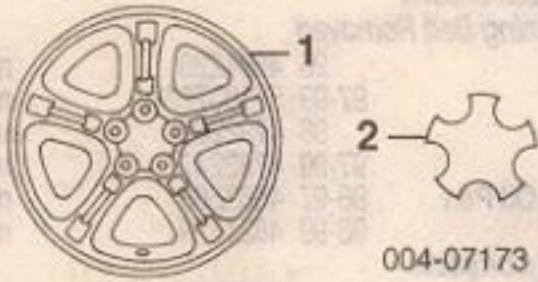
004-08574

1	Wheel	4656411		.3	84.20
Cover, Wheel					
2	10 Hole	4656253AC			56.85
3	12 Hole	96-97 4626797			89.35
		98-00 4656249AC			50.25
Stem, Valve					
Nut, Lug					
		2073355			2.75
		6500526			2.35

ALUMINUM WHEEL

Add to R&I Spare Wheel & Tire Assy	.2
------------------------------------	----

SEBRING CONVERTIBLE 1996-00



004-07173

1 Wheel [
Chrome (Code WN5)	98-00	4656231AA	.3		589.00
Silver					
Code WNF		JB26SAK	.3		410.00
WN1		QK65PAK	.3		222.00
Silver w/Gold (Code WNB)	98-00	QK65PYM	.3		294.00
White					
Code WN3		QR32GW7	.3		317.00
Code WN6		JB26SW6	.3		410.00
2 Cap, Wheel [
Silver (Code WNF)		JY00SAK			17.70
White (Code WNB)		JY00SW7			17.70
<i>(Order by Application)</i>					
Wheel, Compact Spare		4626853			250.00
Stem, Valve		2073355			2.75
Nut, Lug [
12x1-1/2"		6502738			4.00
12x1-1/2"-6H		6500092			3.35
<i>(Order by Application)</i>					

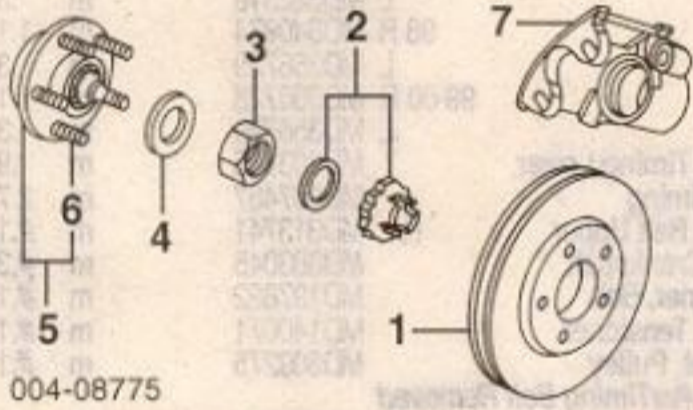
FRONT SUSPENSION

Use Procedure Explanation 11 with the following text.

R&L Front Suspension (One Side)	R/Lm	1.9
O/H Suspension (Includes R&L)		
One Side	R/Lm	3.5
Both Sides	m	6.8
Adjust Four Wheel Alignment	m	1.9
Bleed Brake System		
w/ABS	m	.6
w/o ABS	m	.3

NOTE 1: R&L/R&R Does Not include alignment or bleed brake system.

NOTE 2: All Parts in this section are included in overhaul unless noted otherwise.

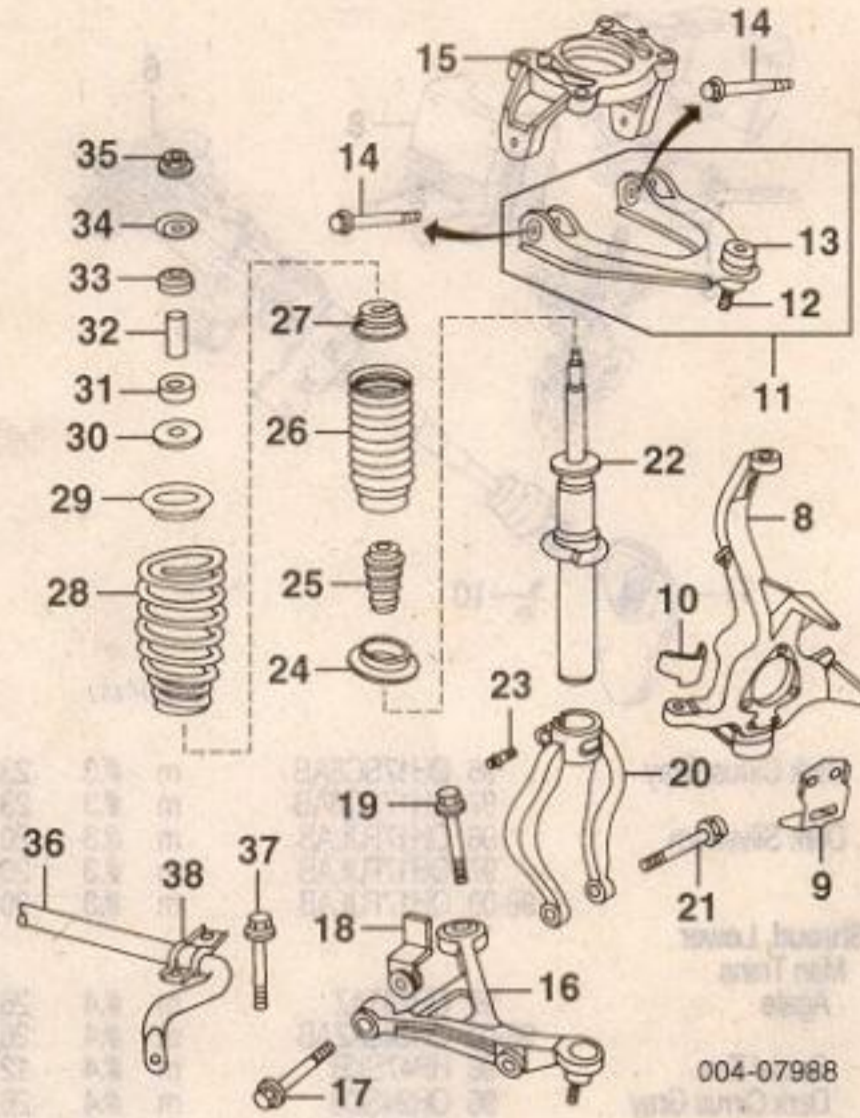


004-08775

1 Rotor, Brake	R/L	4616935	m	#6	57.00
<i>#R&R Both Front Rotors 1.0</i>					
2 Cap & Washer, Hub Nut	R/L	4293167			6.85
3 Nut, Hub	R/L	6503685			3.45
4 Washer	R/L	6503352			1.85
5 Hub & Bearing Assy	96-99 R/L	4593462AA	m	#1.0	87.50
	00 R/L	5003550AB	m	#1.0	98.70
<i>#R&R Both Sides 1.8</i>					
6 Stud, Wheel [(5/Side)	R/L	6503067	m		1.95
<i>(Included w/Hub & Bearing Assy)</i>					
7 Caliper, Brake	R	4856922	m	#5	128.00
	L	4856923	m	#5	138.00
<i>#R&R Both Sides .8, w/Rotor Removed Deduct .4</i>					
Pad Set, Brake		4882070	m	#1.0	149.00
<i>#Deduct .5 for Each Caliper Removed</i>					
Sensor, Front ABS-See ABS/Brakes Section					
Hose, Brake	R/L	5273740-39	m	#3	57.35
<i>#w/Brake Caliper Removed Deduct .2</i>					

Illustration Located in Next Column

8 Knuckle, Steering	R/L	4695982-3	m	#1.8	177.00
<i>#Includes R&R Brake Rotor & Hub</i>					
9 Shield, Ball Joint Heat	R/L	4626940	m		3.70
10 Shield, Tie Rod End Heat	R/L	4695601	m		2.00
11 Arm Assy, Upr Cont	R	4764408	m	#2.0	94.20
	L	4764409	m	#2.0	75.35
<i>#Includes R&R Shock Absorber, w/Knuckle Removed Deduct .8</i>					
12 Ball Joint [R/L	4616570	m	#1.8	54.60
13 Seal, Ball Joint [96 R/L	4052509	m	#1.8	2.85
	97-00 R/L	4695673	m	#1.8	4.20
<i>(Included w/Upper Control Arm Assy)</i>					
<i>#R&R One Side Complete</i>					
Bushing, Pivot (2/Side)	R/L	4695096	m		10.25
14 Bolt, Pivot (2/Side)	R/L	6503610			2.20
15 Brkt, Upr Control Arm	R/L	4616572-3	m	#5	91.60
<i>#w/Control Arm Removed</i>					
16 Arm, Lower Control [R/L	4616922-3	m	#1.9	187.00
<i>(Includes Lower Ball Joint)</i>					
<i>#w/Knuckle Removed Deduct .7</i>					
Bushing, Pivot (2/Side)	R/L	4695631	m		23.45
17 Bolt, Pivot	R/L	6505029AA			4.20

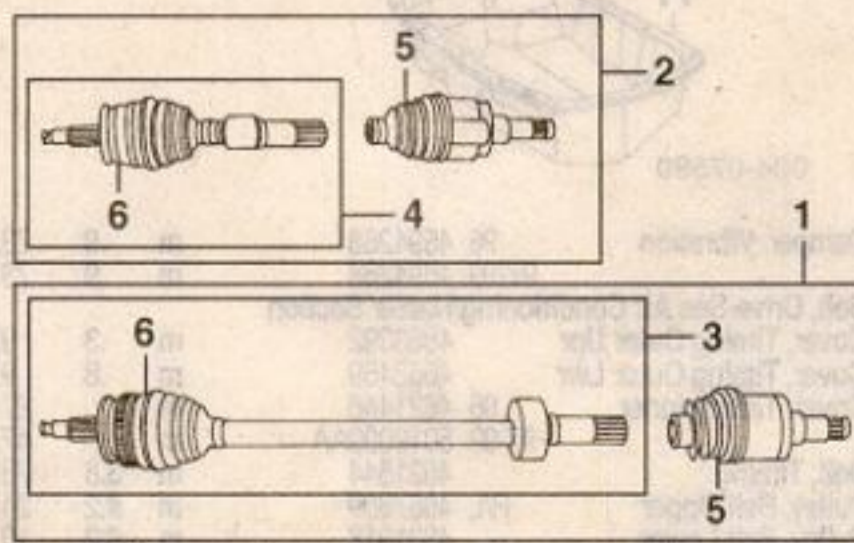


004-07988

18 Retainer, Pivot Bolt	R/L	6503349	m		4.35
19 Bolt, Rear Mtg	R/L	6503854			2.70
20 Support, Shock	R/L	4656234-5	m	#9	58.95
<i>#w/Lower Control Arm Removed Deduct .3, Included in R&R Shock Absorber</i>					
21 Bolt, Support Mtg	R/L	6503622			2.50
Bushing, Support Mtg	R/L	4616749	m		11.20
22 Absorber, Shock					
1996-97					
Std Susp	R/L	4626821	m	#1.4	87.70
Firm Feel Susp	R/L	4656155	m	#1.4	87.70
1998					
To 3-30-98					
Std Susp	R/L	4626821	m	#1.4	87.70
Firm Feel Susp	R/L	4656155	m	#1.4	87.70
From 3-30-98					
1999-00					
Std Susp	R/L	4782265AA	m	#1.4	62.50
Firm Feel Susp	R/L	4782265AA	m	#1.4	62.50
23 Bolt, Pinch					
12x75"	R/L	6503862	m	#1.4	2.50
12x95mm	R/L	6503889	m	#1.4	3.20
24 Seat, Lower Spring	R/L	4616982	m	#1.4	2.50
25 Bumper, Jounce	R/L	4616931	m	#1.4	10.50
26 Shield, Dust	R/L	4616929	m	#1.4	2.35
27 Cup, Stop	R/L	4695147	m	#1.4	3.95
28 Spring, Coil [
Std Susp	R/L	4656042	m	#1.4	67.10
Firm Feel Susp	R/L	4656302	m	#1.4	65.65
<i>(Order by Application)</i>					
29 Seat, Upper Spring	R/L	4695147	m	#1.4	3.95
30 Washer, Lower Bushing	R/L	4695030	m	#1.4	1.95
31 Bushing, Lower	R/L	4695671	m	#1.4	5.35
32 Spacer, Upper Mtg	R/L	4626919	m	#1.4	3.75
33 Bushing, Upper	R/L	4616564	m	#1.4	2.60
34 Washer, Upper Bushing	R/L	4616934	m	#1.4	2.00
35 Nut, Upper Mtg	R/L	6503644	m	#1.4	1.75
<i>#R&R One Side Complete, w/Lower Control Arm Removed Deduct .5, R&R Both Sides 2.6</i>					
36 Bar, Stabilizer					
96	4695622AB	m	#6	129.00	
97-00	4656009	m	#6	139.00	
<i>#Not Included in O/H</i>					
Attaching Kit, Bar	R/L	4695626			112.00
37 Bolt, Outer Link [-Serviced w/Bar Attaching Kit					
38 Bushing, Mount [R/L	4616987	m		3.95
<i>(Included w/Bar Attaching Kit)</i>					

FRONT DRIVE AXLE

R&L Axle Shaft Assy	R/Lm	#1.1
O/H Axle Shaft Assy (Includes R&L)		
Right	m	#1.8
Left	m	#1.4
<i>#w/Knuckle Removed Deduct .8</i>		



004-07975

1 Shaft Assy, Axle Right

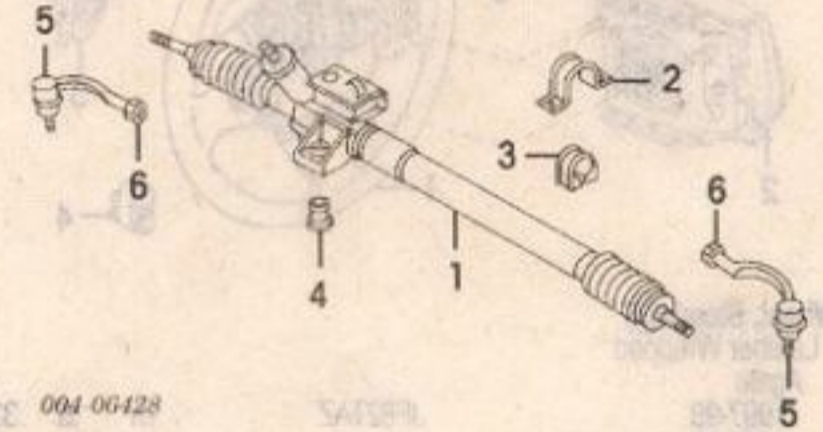
1996		4670210	m	#1.1	414.00
1997					
w/ABS		4670210	m	#1.1	414.00
w/o ABS		4668732	m	#1.1	430.00
1998-99					
4 Cyl					
w/ABS		5003493AA	m	#1.1	325.00
w/o ABS		4668834	m	#1.1	292.00
6 Cyl					
w/ABS		5003492AA	m	#1.1	325.00
w/o ABS		4668830	m	#1.1	305.00
2000		4593464AA	m	#1.1	290.00
2 Shaft Assy, Axle Left					
1996		4670211	m	#1.1	397.00
1997					
w/ABS		4670211	m	#1.1	397.00
w/o ABS		4668733	m	#1.1	397.00
1998-99					
w/ABS		5017654AA	m	#1.1	489.00
w/o ABS		4668835	m	#1.1	327.00
2000		5017654AA	m	#1.1	489.00
<i>#w/Knuckle Removed Deduct .8</i>					
3 Joint & Shaft, Otr Right [
<i>-Serviced w/Right Axle Shaft Assy</i>					
4 Joint & Shaft, Otr Left [
<i>-Serviced w/Left Axle Shaft Assy</i>					
5 Boot Kit, Inner [R	4797699	m	#1.4	89.25
	L	4797700	m	#1.4	79.60
6 Boot Kit, Outer [R/L	4856674	m	#1.4	37.10
<i>(Included w/Axle Shaft Assy)</i>					
<i>#R&R One Side Complete, w/Knuckle Removed Deduct .8</i>					

FRONT STEERING LINKAGE/GEAR

R&L Steering Gear..... m 3.4

NOTE 1: R&L/R&R Does Not include adjust wheel alignment.

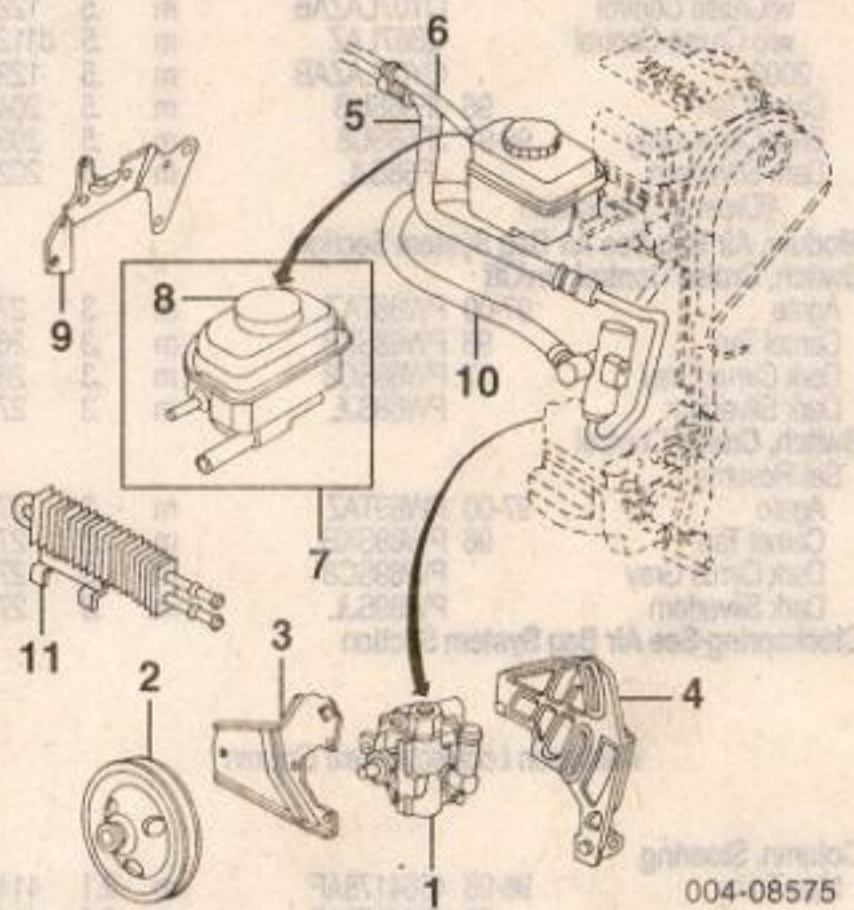
NOTE 2: All Parts in this section are included in R&R Steering Gear unless noted otherwise.



004-06428

1 Gear, Steering					
Std Susp		4656139	m	3.6	625.00
Firm Feel Susp	96-99	4656156AB	m	3.6	684.00
	00	4656139	m	3.6	625.00
2 Bracket, Right Mtg		4616917	m		5.00
3 Bushing, Right Mtg		4616918	m		4.85
4 Bushing, Left Mtg (2)		4616919	m		5.95
5 End, Tie Rod	R	4796864	m	.3	66.70
	L	4796865	m	.3	67.00
6 Nut, Lock	R/L	6503046			1.85

STEERING PUMP



004-08575

1 Pump, Steering					
4 Cyl		4656034	m	#2.4	304.00
6 Cyl	96-99	4656062	m	#2.7	239.00
	00	4874243	m	#2.7	239.00
<i>#Includes R&R Pump Pulley</i>					
2 Pulley, Pump		4573747	m	2.4	16.10
Belt, Drive					
4 Cyl		4663182		.3	12.50
6 Cyl		4573737		.3	12.50
3 Bracket, Pump Pivot		4663050	m	#2	8.25

SEBRING CONVERTIBLE 1996-00

STEERING PUMP Cont'd

4 Bracket, Mounting	96-99 4792075	#2	36.70
Bracket, Adjusting	00 4573743	#2	13.95
#w/Pump Removed	4573744	#2	55.60
5 Hose, Pressure			
4 Cyl	4656074AC	m #3.9	110.00
6 Cyl	96-99 4656118AC	m #3.9	83.35
	00 4656118AC	m #3.9	83.35
6 Hose, Return			
4 Cyl	4764445	m #3.9	39.35
6 Cyl	96-99 4695829	m #3.9	32.70
	00 4695827	m #3.9	61.10
#w/ABS Add .4			
7 Reservoir Assy, Fluid	4764092	m 1.8	38.00
8 Cap, Reservoir	4695775		7.00
#Included w/Fluid Reservoir Assy			
9 Bracket, Mounting	4695145	#2	11.75
#w/Reservoir Removed			
10 Hose, Reservoir/Pump			
4 Cyl	4626885	m .8	14.75
6 Cyl	4626886	m 2.4	17.70
11 Cooler, Fluid	4626911	m 1.0	57.00

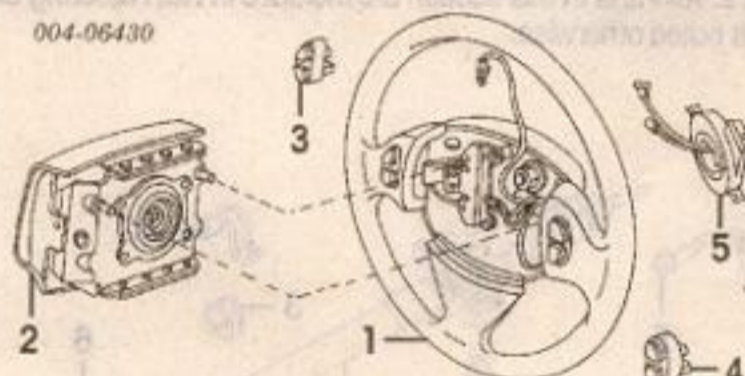
STEERING WHEEL/COLUMN

R&I Steering Column m #1.5
#w/Auto Trans Add .2

NOTE 1: Manufacturer Does Not recommend overhaul of Steering Column.

NOTE 2: All Parts in this section are included in R&R Steering Column unless noted otherwise.

004-06430



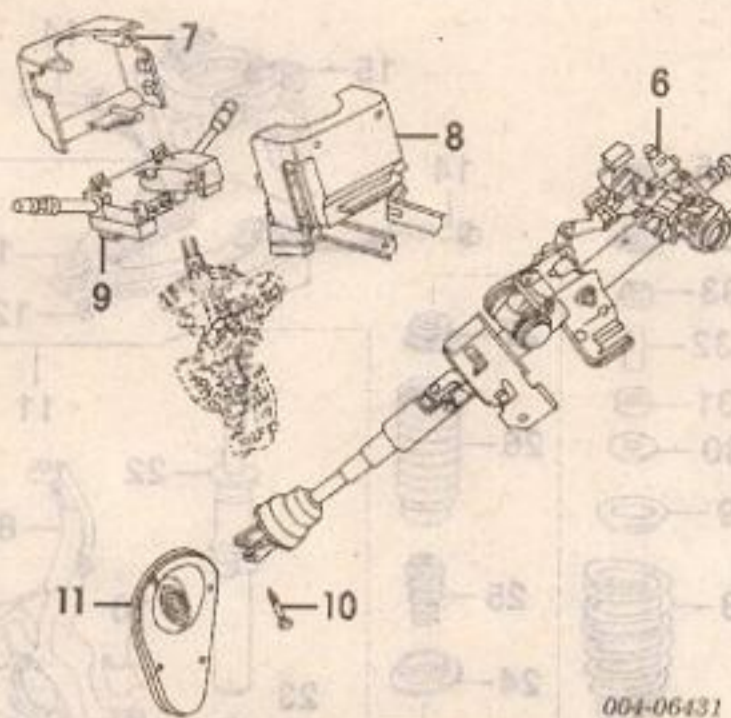
1 Wheel, Steering			
Leather Wrapped			
Agate			
1997-98	JF82TAZ	m .5	325.00
1999-00			
w/Cruise Control			
JX, JXi Model	QY08LAZAC	m .5	280.00
Limited Model	RY55LAZAA	m .5	275.00
w/o Cruise Control	QB68LAZAC	m .5	287.00
Black	97-98 JF82TZZ	m .5	350.00
Camel Tan	96 JF82SKB	m .5	340.00
Dark Cirrus Gray	96 JF82SC8	m .5	339.00
Dark Silverfern			
1997-98	JF82S JL	m .5	319.00
1999-00			
w/Cruise Control	QY081JKAC	m .5	280.00
w/o Cruise Control	QB681JKAB	m .5	260.00
Vinyl			
Agate			
1997-98	JF56TAZ	m .5	209.00
1999			
w/Cruise Control	QY07LAZAB	m .5	122.00
w/o Cruise Control	QB67LAZ	m .5	112.00
2000	QY07LAZAB	m .5	122.00
Camel Tan	96 JF56SKB	m .5	204.00
Dark Cirrus Gray	96-97 JF56SC8	m .5	209.00
Dark Silverfern	JF56S JL	m .5	202.00

#Order by Application

2 Module, Air Bag-See Air Bag System Section			
3 Switch, Cruise Control On/Off			
Agate	97-00 PW68TAZ	m .3	27.25
Camel Tan	96 PW68SKB	m .3	26.45
Dark Cirrus Gray	97 PW68SC8	m .3	26.45
Dark Silverfern	PW68S JL	m .3	27.25
4 Switch, Cruise Control Set/Resume			
Agate	97-00 PW69TAZ	m .3	27.25
Camel Tan	96 PW69SKB	m .3	27.25
Dark Cirrus Gray	PW69SC8	m .3	27.25
Dark Silverfern	PW69S JL	m .3	27.25
5 Clockspring-See Air Bag System Section			

Illustration Located in Next Column

6 Column, Steering			
Man Trans	96-98 4664178AF	m 2.1	414.00
	99 4664178AF	m 2.4	414.00
	00 4664178AF	m 2.4	414.00
Auto Trans	96-98 4664177AF	m 2.4	450.00
	99 4664177AF	m 2.4	450.00
	00 4664177AF	m 2.4	450.00
7 Shroud, Upper			
Agate	97 QH17TAZ	m #3	24.75
	98-00 QH17LAZAB	m #3	20.75
Camel Tan	96 QH17SKBAB	m #3	25.50



004-06431

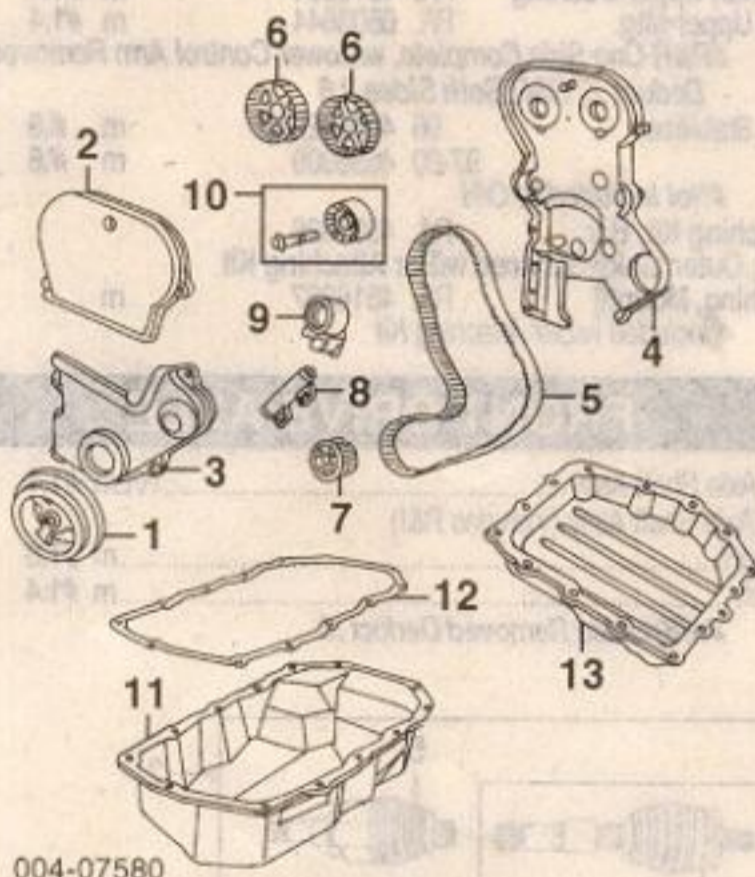
Dark Cirrus Gray	96 QH17SC8AB	m #3	23.75
Dark Silverfern	97 QH17SC8AB	m #3	23.75
	96 QH17RJLAB	m #3	20.75
	97 QH17RJLAB	m #3	20.75
	98-00 QH17RJLAB	m #3	20.75
8 Shroud, Lower			
Man Trans			
Agate	97 QH24TAZ	m #4	26.60
	98-00 QH24LAZAB	m #4	26.60
Camel Tan	96 HP47SKB	m #4	12.00
Dark Cirrus Gray	96 QH24SC8	m #4	26.60
	97 QH24SC8	m #4	26.60
Dark Silverfern	96 QH24RJLAB	m #4	26.60
	97-00 QH24RJLAB	m #4	26.60
Auto Trans			
Agate	97-00 QH19LAZAB	m #4	26.60
Camel Tan	96 QH19SKB	m #4	26.60
Dark Cirrus Gray	96 FG13RC8	m #4	14.70
	97 QH19SC8	m #4	25.60
Dark Silverfern	96 QH19RJLAB	m #4	26.60
	97 QH19RJLAB	m #4	26.60
	98-00 QH19RJLAB	m #4	26.60
#R&R Both .5			
9 Switch, Combination			
w/Fog Lamps	4608383	m .6	180.00
w/o Fog Lamps	4608382	m .6	180.00
Cylinder, Ignition Lock	4746666	m .6	21.45
#Add'l Parts &/or Dealer Contact Required			
Switch, Ignition	4671324	m .5	35.00
Shaft, Intermediate			
Auto Trans	4600219	m	177.00
	6502413	m	1.75
10 Bolt, Coupling	96-99 4649100AA	m	13.75
11 Cover, Column Lower	00 4649100AA	m	13.75

ENGINE/TRANS

Use Procedure Explanation 12 with the following text.

4 CYL

R&I Engine/Trans Assy m 8.1
Add to R&I Engine/Trans Assy
w/Auto Trans m .5



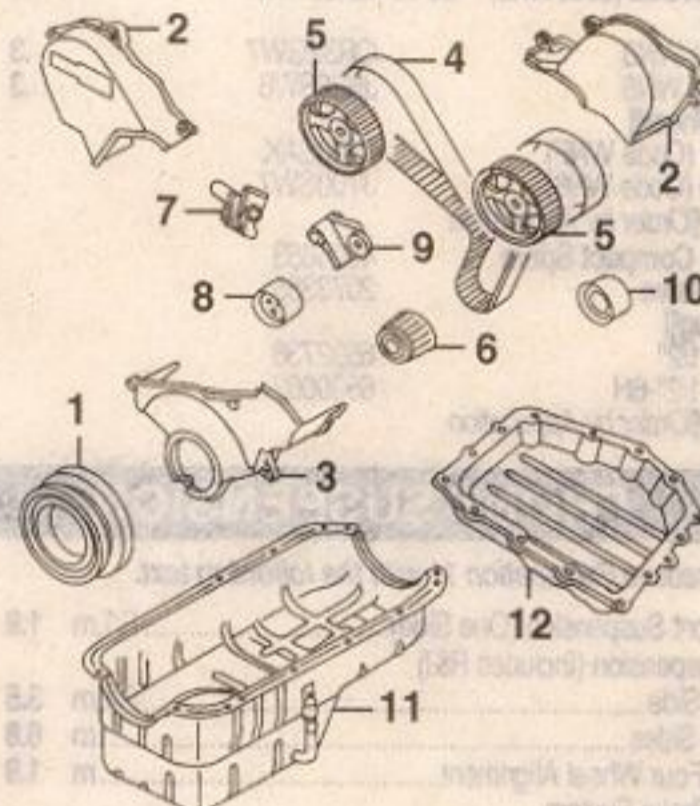
004-07580

1 Damper, Vibration	96 4694268	m .9	73.10
	97-99 4694268	m .9	73.10
Belt, Drive-See Air Conditioning/Heater Section			
2 Cover, Timing Outer Up	4663392	m .3	9.00
3 Cover, Timing Outer Lwr	4663459	m .8	9.45
4 Cover, Timing Inner	96 4621446	m	27.56
	97-99 5012009AA	m	47.25
5 Belt, Timing	4621844	m 3.6	78.60
6 Pulley, Belt Upper	R/L 4667609	m #2	24.10
7 Pulley, Belt Lower	4621918	m #2	18.35
8 Tensioner, Belt	96 4621455	m #2	132.00
	97-98 4897054AA	m #2	78.50
	99 5010371AA	m #2	104.00

9 Pulley, Tensioner	4621454	m #1	63.85
#Includes Bracket			
#w/Timing Belt Removed			
10 Pulley, Idler	96 4694228	m .6	33.50
	97-99 5010372AA	m .6	116.00
11 Pan, Eng Oil	96 4792202	m #1.3	110.00
	97-99 4792247	m #1.3	119.00
12 Gasket, Eng Oil Pan	96-97 4663508	m #1.3	36.75
	98-99 4621579	m #1.3	26.20
#R&R Complete			
13 Pan, Trans Oil	4431997	m .9	34.70
Sealant, Trans Oil Pan	4318025		5.20

6 CYL

R&I Engine/Trans Assy m 10.2

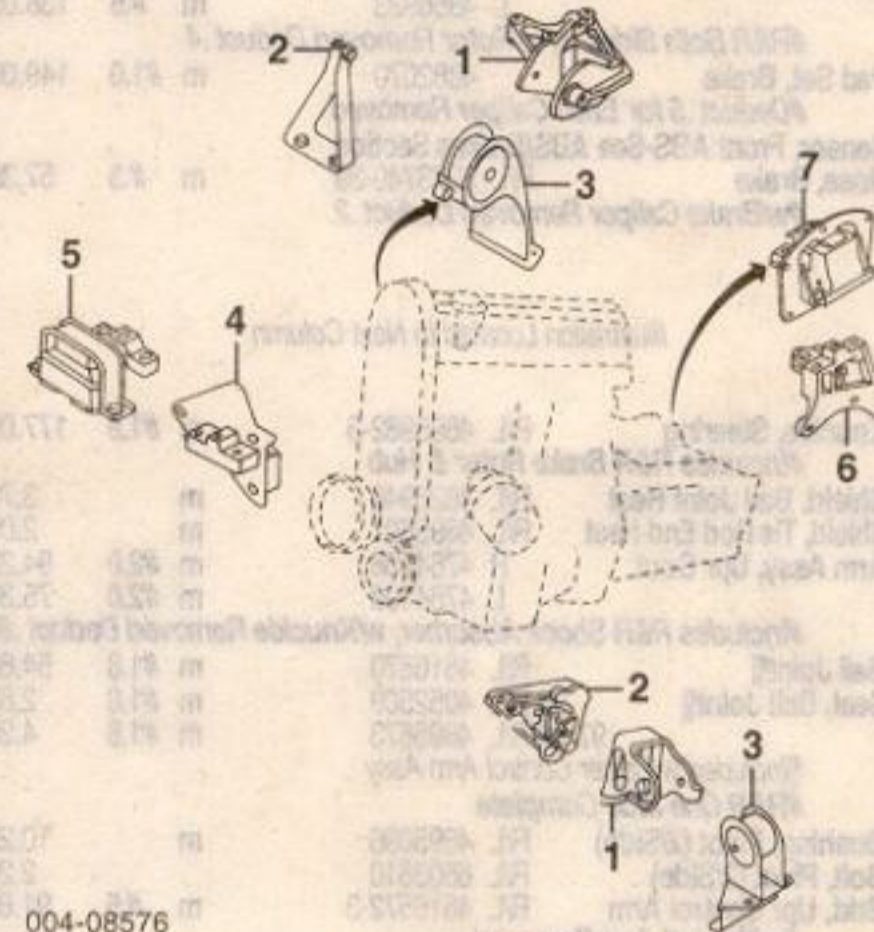


004-07581

1 Pulley, Crankshaft	96 MD197613	m .9	290.00
	97-00 MD324796	m .9	165.00
Belt, Drive-See Air Conditioning/Heater Section			
2 Cover, Timing Upper	96 R MD313743	m 1.1	27.25
	L MD332318	m .3	21.00
	97 R MD332317	m 1.1	24.25
	L MD332318	m .3	21.00
	98 R MD340874	m 1.1	14.00
	L MD356729	m .3	13.85
	99-00 R MD356728	m 1.1	14.60
	L MD356729	m .3	13.85
3 Cover, Timing Lower	MD303705	m .9	34.25
4 Belt, Timing	MD307487	m 2.7	106.00
5 Pulley, Belt Upper	R/L MD313741	m #1	54.70
6 Gear, Crankshaft	MD303045	m #3	53.00
7 Tensioner, Belt	MD197622	m #1	102.00
8 Pulley, Tensioner	MD140071	m #1	38.20
9 Bracket, Pulley	MD309275	m #1	31.75
#w/Timing Belt Removed			
10 Pulley, Idler	MD319022	m .6	37.75
11 Pan, Eng Oil	MD310489	m 1.6	125.00
Sealant, Eng Oil Pan	4318025		5.20
12 Pan, Trans Oil	4431997	m .9	34.70
Sealant, Trans Oil Pan	4318025		5.20

ENGINE/TRANS MOUNTS

4 CYL

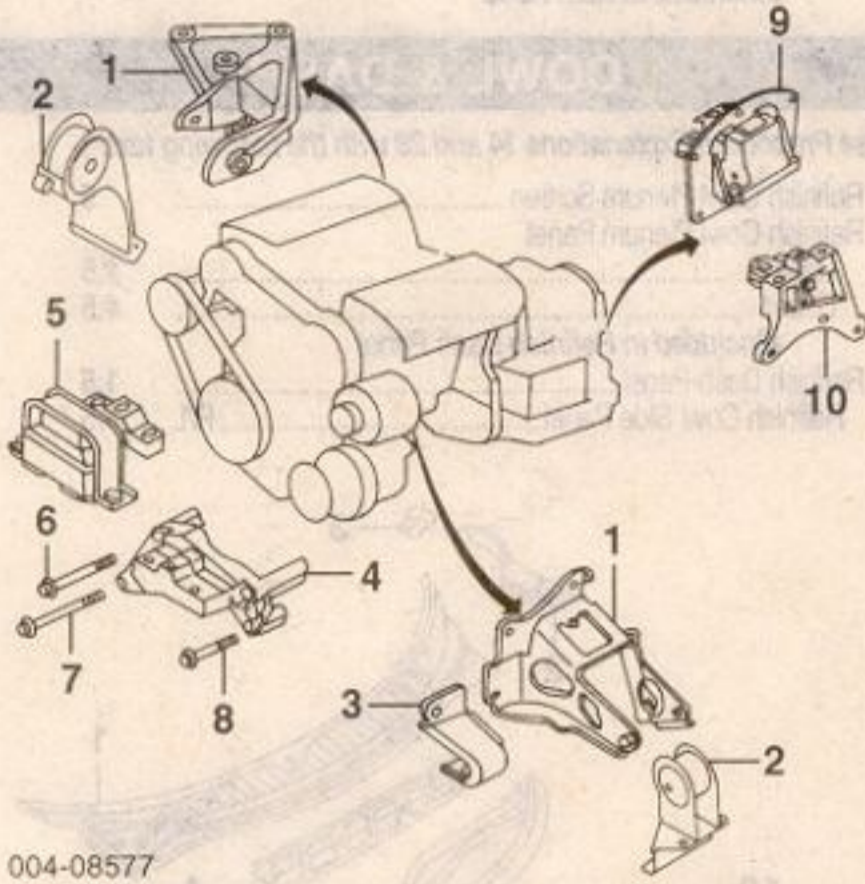


004-08576

1 Bracket, Eng Side Mount			
Man Trans	R 4593253AB	#2	71.60
	L 4573761	#2	23.45
Auto Trans	R 4593289	#2	49.50
	L 4573761	#2	23.45
#w/Eng Side Mount Removed			

2 Strut, Mount	R 4593191	#2	18.95
	L 4593249	#2	28.00
<i>#w/Eng Side Mount Bracket Removed</i>			
3 Mount, Eng Side	96-97 R/L 4593410	.6	104.00
	98-99 R 4593337AF	.6	72.10
	L 4593338AC	.6	60.00
4 Bracket, Front Mount	4593436AA	#2	16.10
<i>#w/Eng Front Mount Removed</i>			
5 Mount, Eng Front	4573773	.6	112.00
6 Bracket, Trans Mount	4573776	#2	30.75
<i>#w/Trans Mount Removed</i>			
7 Mount, Trans	4668135AB	.7	107.00

6 CYL



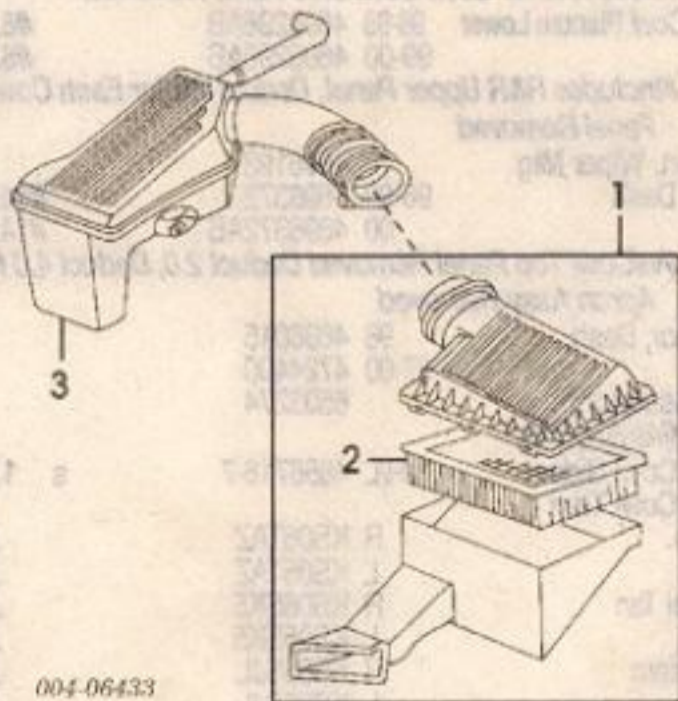
004-08577

1 Bracket, Eng Side Mount	R 4593289	#2	49.50
	L 4573763	#2	37.95
<i>#w/Eng Side Mount Removed</i>			
2 Mount, Eng Side	96-97 R/L 4593410AB	.5	110.00
	98 R 4593337AF	.5	72.10
	L 4593338AC	.5	60.00
	99-00 R/L 4593410AB	.5	110.00
3 Strut, Mount	R 4573770		11.50
	L 4573766		10.10
Bolt, Strut Mount			
Upper	R/L 6100306		2.25
Lower	6100343		1.95
Bolt, Mount/Trans (2)	6503297		2.35
4 Bracket, Mount	MD314514	#2	114.00
<i>#w/Eng Front Mount Removed</i>			
5 Mount, Eng Front	4573773	.5	112.00
Bolt, Mount (2)	6503357		1.00
6 Bolt, Mount/Block Upper (2)	MF303380		4.50
7 Bolt, Mount/Block Lower Right	MD309571		3.10
8 Bolt, Mount/Block Lower Left	MF303375		2.70
9 Bracket, Trans Rear Mount	4573776	#7	30.75
10 Mount, Trans Rear	4668135AB	#7	107.00
<i>#R&R Complete</i>			
Bolt, Mount	6101514		1.50
<i>As Required</i>			
Bolt, Mount/Rail	6100591		1.25

AIR CLEANER

4 CYL

R&I Air Cleaner Assy 2

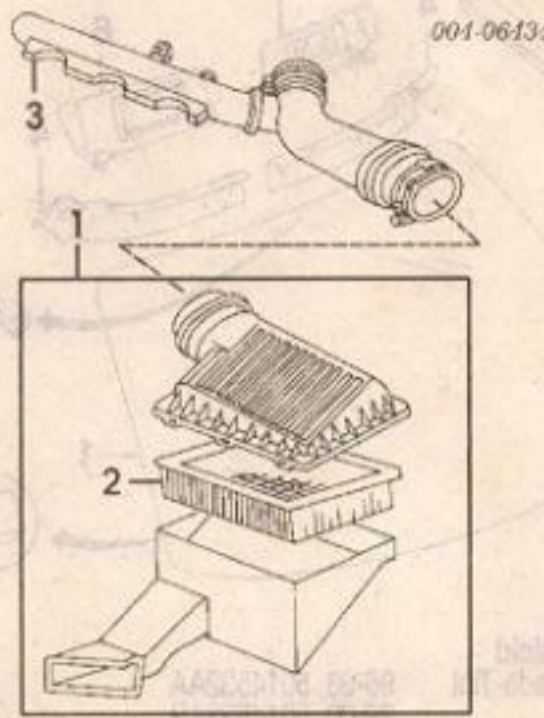


004-06433

1 Cleaner Assy, Air	4669637	.3	146.00
2 Element, Cleaner	96 4882141	.3	12.50
	97-99 4882141	.3	12.50
<i>Included w/Air Cleaner Assy</i>			
3 Hose & Resonator			
Throttle Body	96 4591321	.2	62.75
	97-99 4591330	.2	117.00

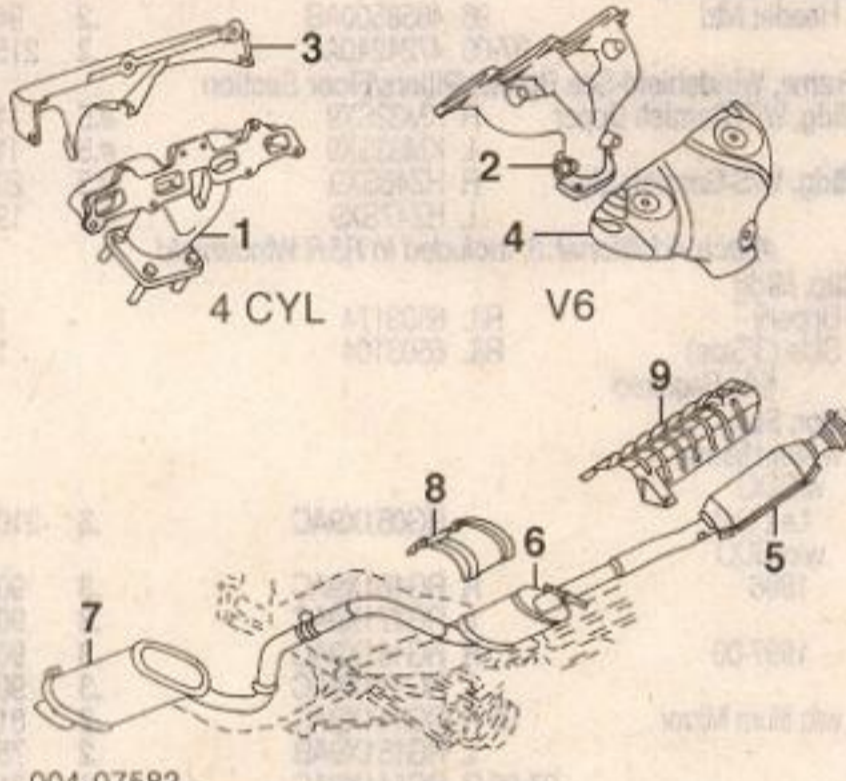
6 CYL

R&I Air Cleaner Assy 2



1 Cleaner Assy, Air	4669637	.3	146.00
2 Element, Cleaner	4882141AB	.3	12.50
<i>Included w/Air Cleaner Assy</i>			
3 Hose, Throttle Body	4663327	.2	81.10

EXHAUST



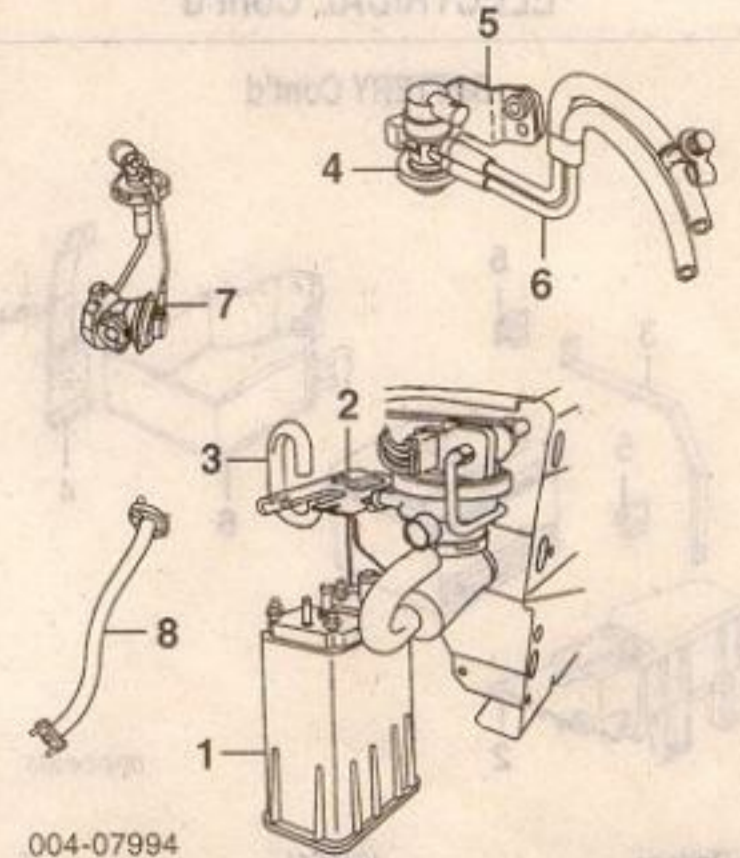
004-07582

Manifold, Exhaust			
1 4 Cyl	4663769	m 1.3	267.00
2 6 Cyl	96 R MD311788	m 1.8	164.00
	L MD311787	m 1.3	167.00
	97-00 R MD323973	m 1.8	162.00
	L MD323182	m 1.3	151.00
Shield, Manifold Heat			
3 4 Cyl	4663484		19.85
4 6 Cyl	96 R MD308099		39.20
	L MD308961		47.75
	97-00 R MD323183		39.20
	L MD323780		45.60
5 Pipe, Front Exhaust			
4 Cyl	96-97 4764140	1.0	309.00
	98-99 4764237AA	1.0	370.00
6 Cyl	96-97 5278026AC	1.0	459.00
	98 5278026AC	1.0	459.00
	99-00 5278026AC	1.0	459.00
<i>Includes Catalytic Converter</i>			
6 Pipe, Center Exhaust	5278760	#1.0	239.00
<i>Includes Resonator</i>			
<i>#w/Front Exhaust Pipe Removed Deduct .6</i>			
7 Muffler & Pipe, Rear			
4 Cyl	5278217	#.6	237.00
6 Cyl	5278136	#.6	339.00
<i>Includes Tailpipe</i>			
<i>#w/Center Exhaust Pipe Removed Deduct .3</i>			
8 Shield, Resonator Heat	4495768	#.2	4.60
<i>#w/Center Exhaust Pipe Removed</i>			
9 Shield, Tunnel Heat	97-00 4495972	#.2	14.00
<i>#w/Front Exhaust Pipe Removed</i>			
Shield, Muffler Heat	96 4696410	#.2	7.70
<i>#w/Rear Muffler & Pipe Removed</i>			

EMISSION SYSTEM

Illustration Located in Next Column

1 Canister, Vapor	97-98 53030837	m .5	94.50
	99-00 4764060	m .5	57.50
2 Bracket, Canister	97-98 4591036		61.10
	99 4695997		28.00
	00 4885573AA		28.00

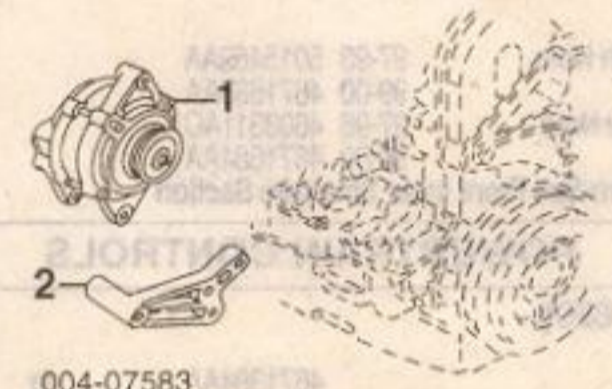


004-07994

3 Hose, Vapor Canister	96 4591052	m	d3.85
	97-98 4669987	m	22.95
	99-00 4591381	m	12.45
4 Solenoid, Duty Cycle	96-97 4669475AB	m	29.70
	98-00 4669569	m	37.00
	97 4778172	m	48.60
5 Bracket, Solenoid	98-00 4591344AB		16.85
6 Hose, Solenoid	97 4891120	m	17.00
	98-99 4591377AB	m	21.20
	00 4591378AC	m	25.10
7 Valve, EGR			
4 Cyl	96 4287822	m .6	100.00
	97-98 4287825AC	m .6	90.00
6 Cyl	4287646	m .6	107.00
8 Tube, EGR Valve			
4 Cyl	4591246	m	25.35
6 Cyl	4591231	m	60.60
Sensor, MAP	5269983	m .5	88.35

ELECTRICAL

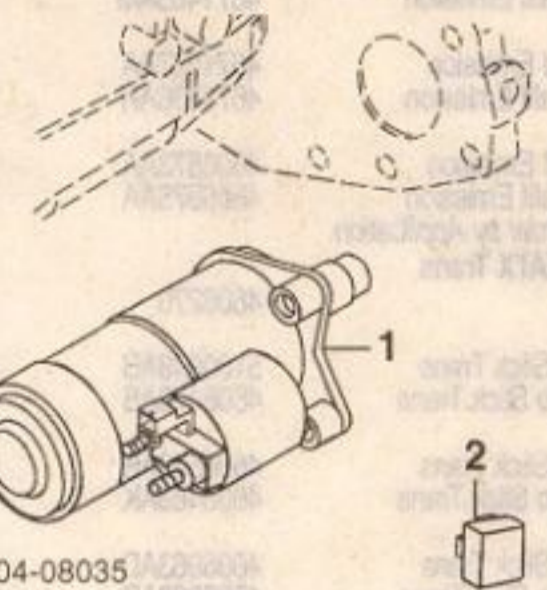
ALTERNATOR



004-07583

1 Alternator	4671320	m .6	350.00
<i>Belt, Drive-See Air Conditioning/Heater Section</i>			
2 Bracket, Mounting			
4 Cyl	4668244	#2	57.35
6 Cyl	4671131	#2	2.50
<i>#w/ A/C Compressor & Alternator Removed</i>			

STARTER



004-08035

1 Starter			
4 Cyl	4609703	m .7	242.00
6 Cyl	4609058	m .6	242.00
2 Relay, Starter-See Front Inner Structure Section			

BATTERY

Illustration Located in Next Column

1 Battery	N.A.	.2	0.00
-----------	------	----	------

SEBRING CONVERTIBLE 1996-00

ELECTRICAL Cont'd

BATTERY Cont'd

2 Tray, Battery	4646511	5	24.10
3 Strap, Mounting	4696950		7.35
4 Retainer, Battery	4696951		11.60
5 U-Nut, Mounting (2)	6101283		2.20
6 Heater, Battery	4609064	#3	63.75
<i>#Includes R&R Battery</i>			
Harness, Battery Cable	4608415AB	5	76.85

HORN

1 Horn, High Note	97-98 5015469AA	5	28.35
	99-00 4671685AA	5	21.75
2 Horn, Low Note	97-98 4608311AC	5	24.75
	99-00 4671684AA	5	23.70
Relay, Horn-See Front Inner Structure Section			

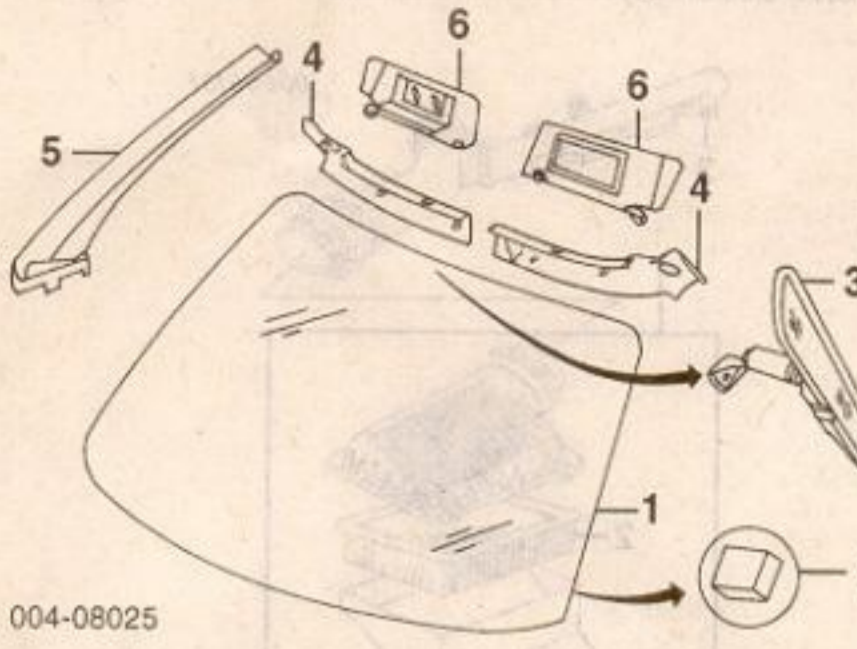
POWERTRAIN CONTROLS

Module, SBEC [†]				
4 Cyl				
1996	4671394AA	m	5	479.00
1997	4671261AF	m	5	593.00
1998-99				
w/Calif Emission	4671416AH	m	5	492.00
w/o Calif Emission	4671407AM	m	5	525.00
6 Cyl				
1996	4897835AC	m	5	705.00
1997				
w/Calif Emission	4671259AG	m	5	595.00
w/o Calif Emission	4671261AF	m	5	593.00
1998				
w/Calif Emission	4671415AG	m	5	475.00
w/o Calif Emission	4671405AM	m	5	520.00
1999				
w/Calif Emission	4671637AA	m	5	450.00
w/o Calif Emission	4671636AH	m	5	436.00
2000				
w/Calif Emission	4606573AA	m	5	495.00
w/o Calif Emission	4606975AA	m	5	410.00
<i>†Order by Application</i>				
Module, EATX Trans				
1996	4606270	m	5	390.00
1997				
w/Auto Stick Trans	5100043AB	m	5	315.00
w/o Auto Stick Trans	4606473AB	m	5	425.00
1998				
w/Auto Stick Trans	4606583AB	m	5	599.00
w/o Auto Stick Trans	4606468AK	m	5	415.00
1999-00				
w/Auto Stick Trans	4606963AD	m	5	540.00
w/o Auto Stick Trans	4606962AD	m	5	235.00
Distributor Assy				
6 Cyl	96-97 MD316173	m	8	699.00
	98-00 MD343019	m	8	514.00
Cap, Distributor [†]				
6 Cyl	MD619050	m	5	58.00
<i>†Included w/Distributor Assy</i>				
Coil, Ignition				
4 Cyl	96-97 4609080	m	5	109.00
	98-99 5269670	m	5	109.00
6 Cyl-Serviced w/Distributor Assy				
Bracket, Ignition Coil				
4 Cyl	5252576			15.00

WINDSHIELD

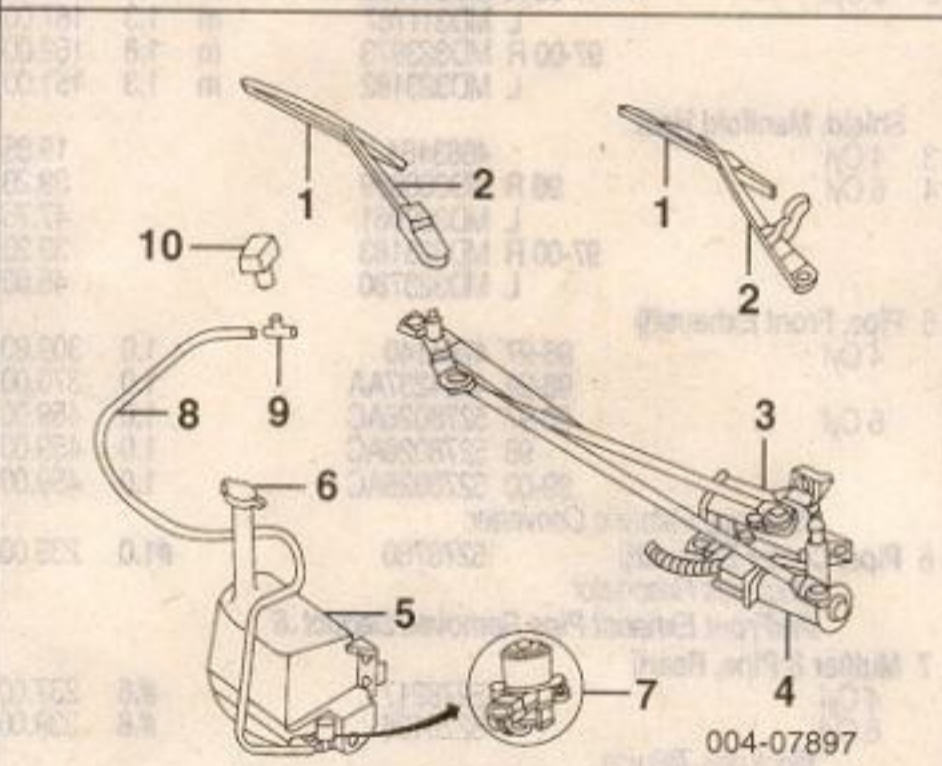
Use Procedure Explanation 13 with the following text.

R&I Windshield..... #3.4
#Includes Clean Up Old Adhesive as Necessary



1 Glass, Windshield				
Chrysler Canada-Tint	96-98 5014532AA	#3.0	0.00	
	99-00 5014532AB	#3.0	584.00	
NAGS				
Green Tint	96-98 DW01272GTN	#3.0	844.15	
	99-00 DW01348GTN	#3.0	844.15	
Green/Blue Shade	96-98 DW01272GBN	#3.0	855.85	
	99-00 DW01348GBN	#3.0	855.85	
<i>#Includes Clean Up Old Adhesive as Necessary</i>				
Support, Windshield	5256722		3.00	
2 Spacer, Glass [†]	4728662		255.00	
<i>†As Required</i>				
3 Mirror, Rear View				
Header Mtd	96 4658500AB	.2	94.35	
	97-00 4724240AB	.2	215.00	
Frame, Windshield-See Rocker/Pillars/Floor Section				
4 Mldg, W/S Garnish Upper	R KM32SX9	#.5	11.75	
	L KM33SX9	#.5	11.95	
5 Mldg, W/S Garnish Side	R HZ46SX9	#.5	20.50	
	L HZ47SX9	#.5	19.50	
<i>#Each Additional .3, Included in R&R Windshield</i>				
Clip, Mldg				
Upper [†]	R/L 6503174		1.20	
Side (3/Side)	R/L 6503104		1.25	
<i>†As Required</i>				
6 Visor, Sun				
w/Illum Mirror				
w/GDO	RG051X9AC	.3	210.00	
Left Only				
1996	R RG161X9AC	.3	90.00	
	L RG171X9AC	.3	90.00	
1997-00	R RG161X9AC	.3	90.00	
	L RG171X9AC	.3	90.00	
w/o Illum Mirror	96 R RG141X9AC	.2	81.60	
	L RG151X9AB	.2	75.00	
	97-00 R RG141X9AC	.2	81.60	
	L RG151X9AB	.2	75.00	
Clip, Visor	R/L PZ30DX9AB		8.70	

WIPER SYSTEM



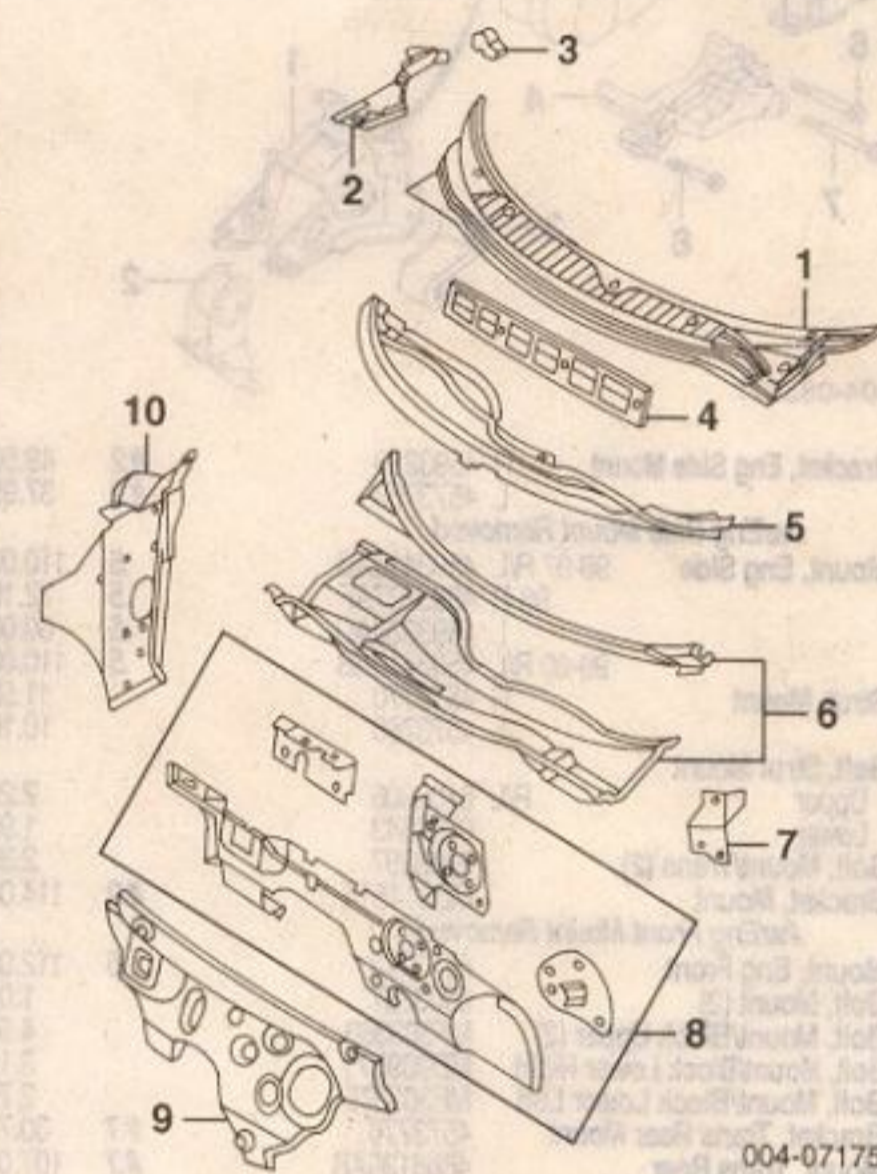
1 Blade, Wiper	96 R/L 5288090	.1	21.75
	97-99 R/L 4630658AC	.1	18.75
	00 R/L 4630658AC	.1	18.75
	96 R 4864778	#.2	50.50
	L 4814157AB	#.2	52.50
	97-99 R 4882618	#.2	52.50
	L 4814157AB	#.2	52.50
	00 R 4882618	#.2	52.50
	L 4814157AB	#.2	52.50
<i>#Includes R&R Wiper Blade</i>			
Cap, Wiper Arm	R 4778094		7.10
	L 4797040		7.10
3 Frame, Wiper Pivot	96 4778374		130.00
	97 4882065		185.00
	98-00 5012171AA		185.00
4 Motor, Wiper	96-97 4778375	.7	162.00
	98-00 5012170AA	.7	150.00
5 Reservoir, Washer	96-98 4864633	1.0	41.60
	99-00 5013057AA	1.0	41.60
Sensor, Reservoir	55155039		23.35
6 Cap, Reservoir			
Black Letters	96 4756656		2.70

White Letters	4630249		3.35
7 Pump, Washer	96 4723306	#.7	33.35
	97-98 4864634	#.7	41.70
	99 5015938AA	#.7	48.00
	00 5015938AA	#.7	48.00
<i>#Included in R&R Reservoir</i>			
8 Hose	4439003		19.25
Clip, Hose			
Fender Mtd	4630482		1.25
Hood Mtd	96 6035222		1.75
9 Tee, Hose Connector	96 4334112		1.85
	97-00 4863995		2.70
10 Nozzle, Washer	96 R/L 4630350	#.2	6.20
	97 R/L 5288364	#.2	8.50
	98-99 R/L 5288364AC	#.2	8.20
	00 R/L 5288364AC	#.2	8.20
<i>#Included in R&R Hood</i>			

COWL & DASH

Use Procedure Explanations 14 and 28 with the following text.

Refinish Cowl Plenum Screen			5
Refinish Cowl Plenum Panel			
Upper			#.5
Lower			#.5
<i>#Included in Refinish Dash Panel</i>			
Refinish Dash Panel			1.5
Refinish Cowl Side Panel		R/L	5



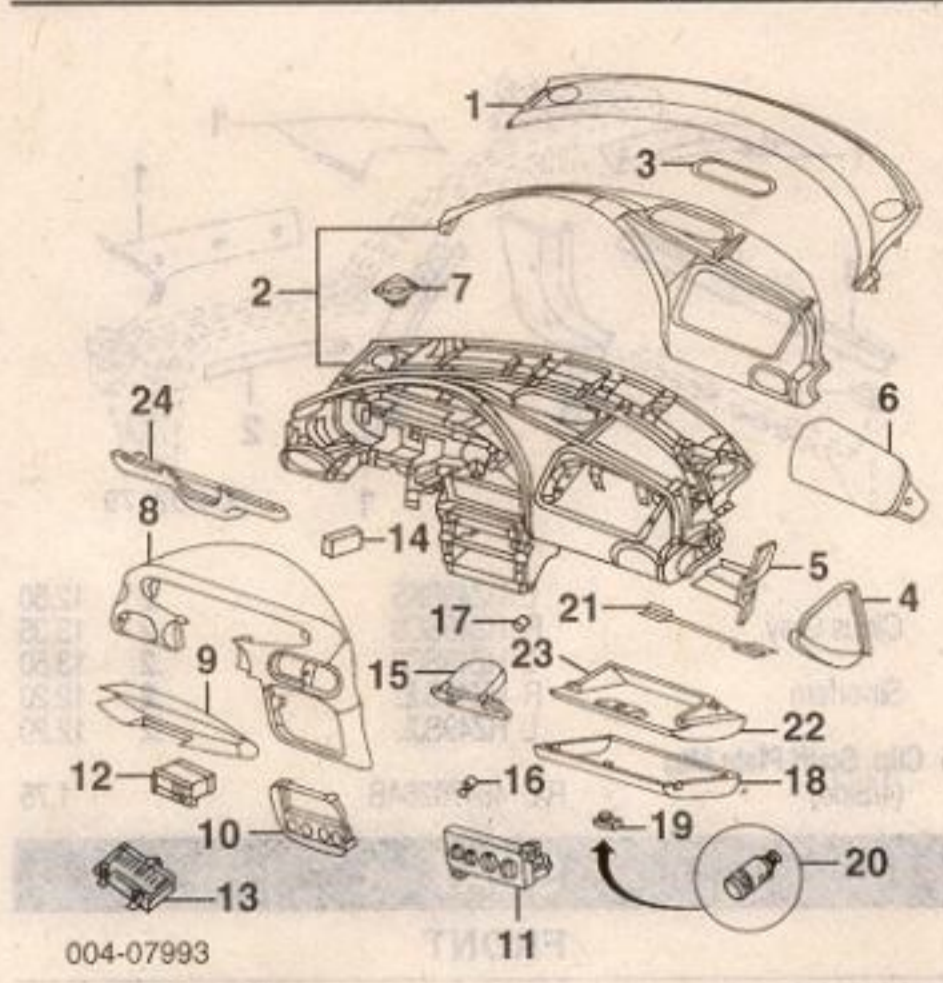
1 Screen, Cowl Top	96 4724241	.6	79.00
	97-00 4724241AC	.6	97.45
Seal, Hood Rear	4724424	.3	38.95
2 Cover, Screen/Fender	R/L 4658968-9		10.25
3 Seal, Screen Side	96 R/L 4658970		9.50
	97-00 R/L 4724319		6.75
4 Screen, Cowl Plenum (P)	4696349	.2	6.95
<i>(P) Paint to Match</i>			
5 Panel, Cowl Plenum Upper	96 4646191AB	#.45	81.85
	97-00 4646191AB	#.45	81.85
<i>#Deduct .5 for Each Cowl Side Panel Removed</i>			
6 Panel, Cowl Plenum Lower	96-98 4696296AB	#.65	217.00
	99-00 4696296AB	#.65	217.00
<i>#Includes R&R Upper Panel, Deduct 1.0 for Each Cowl Side Panel Removed</i>			
7 Support, Wiper Mtg	4646193		4.20
8 Panel, Dash	96-99 4696372	#14.0	222.00
	00 4696372AB	#14.0	222.00
<i>#w/Cowl Top Panel Removed Deduct 2.0, Deduct 4.0 for Each Apron Assy Removed</i>			
9 Insulator, Dash	96 4696015		39.75
	97-00 4724400		39.75
Clip, Insulator [†]	6503274		.35
<i>†As Required</i>			
10 Panel, Cowl Side Panel, Cowl Trim	R/L 4856716-7	s 1.0	50.70
Agate	R KS06TAZ	.2	15.35
	L KS05TAZ	.2	15.00
Camel Tan	R KS06SK5	.2	14.35
	L KS05SK5	.2	14.50
Silverfern	R KS06SJL	.2	14.35
	L KS05SJL	.2	14.50
Cirrus Gray	R KS06SC8	.2	14.35
	L KS05SC8	.2	14.50

INSTRUMENT PANEL

Use Procedure Explanation 14 with the following text.

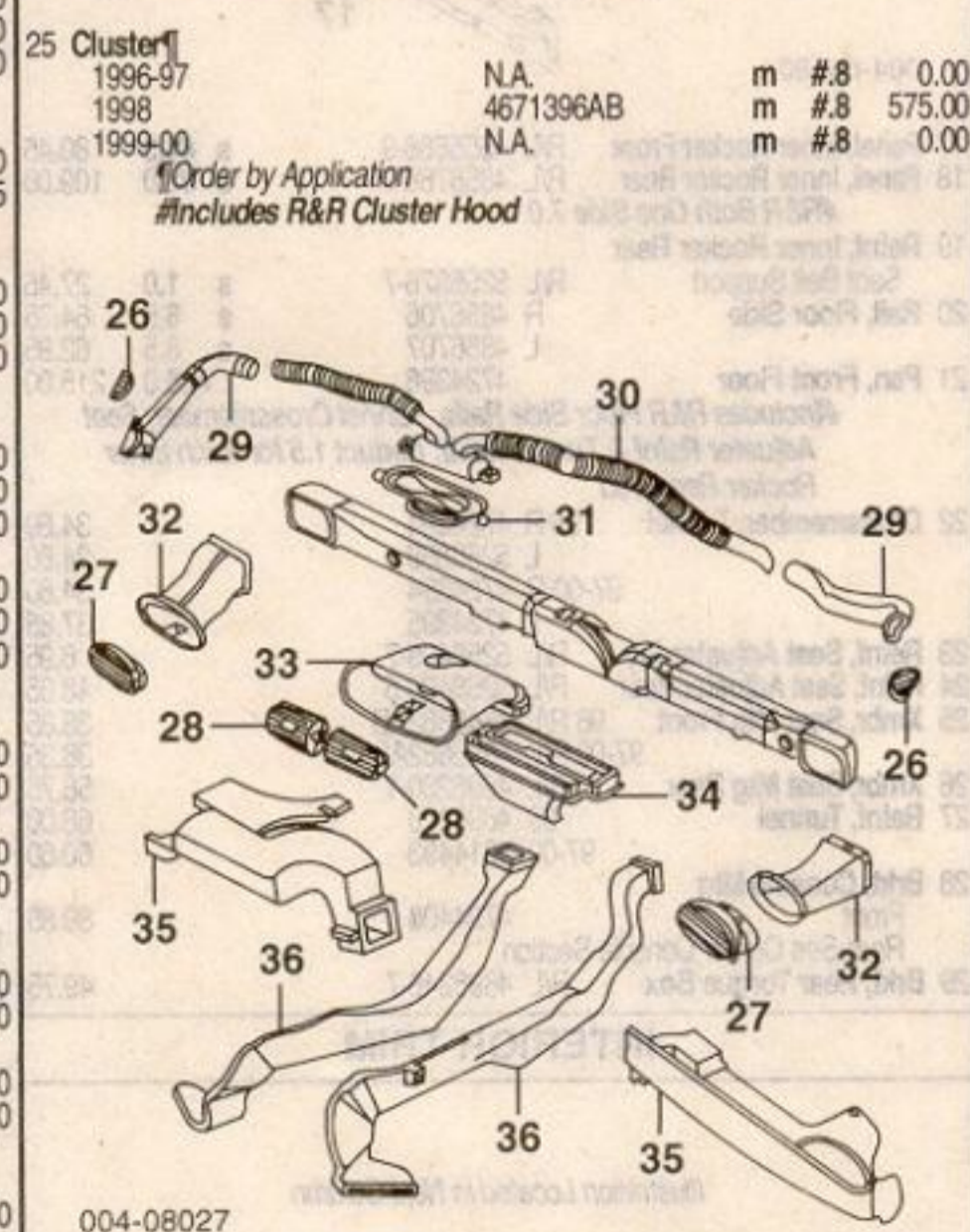
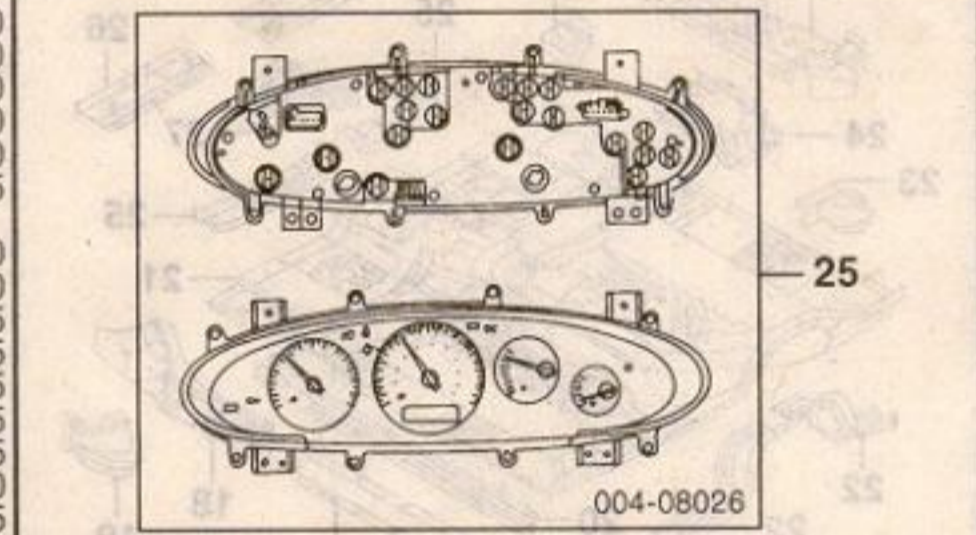
R&I Instrument Panel Assy		m	2.8
---------------------------	--	---	-----

NOTE: All Parts in this section are included in R&R Instrument Panel unless noted otherwise.



004-07993			
1	1996-00	4595363AB	5 126.00
2	1996-00	4595363AB	5 126.00
2 Panel, Instrument			
1996			
Blue		PK74SC8	m 4.2 454.00
Brown		PK74SKB	m 4.2 454.00
Dark Silverfern		PK74SJM	m 4.2 454.00
1997-00			
Agate		PK74TAZ	m 4.2 454.00
Camel Tan		PK74SKB	m 4.2 454.00
Dark Silverfern		PK74SJM	m 4.2 454.00
Mist Gray		PK74SC8	m 4.2 454.00
3 Grille, Defroster			
1996			
Blue		GL65RC8	2 8.50
Brown		GL65SKB	2 8.20
Silverfern		GL65RJM	2 8.50
1997-00			
Agate		KL93TAZ	2 6.00
Camel Tan		KL93SKB	2 8.10
Dark Silverfern		KL93RJM	2 5.70
1997-00			
Agate		KL93TAZ	2 6.00
Camel Tan		KL93SKB	2 6.00
Dark Silverfern		KL93RJM	2 8.50
Mist Gray		KL93RC8	2 5.75
4 Cap, Panel End			
Agate		R 5EB14TAZ	2 38.70
		L QV55TAZAA	2 38.70
Camel Tan		R 5EB14SK5	2 39.45
		L QV55SK5AA	2 39.75
Dark Silverfern		96-99 R 5EB14SJM	2 39.45
		L MP51SJM	2 35.85
		00 R 5EB14SJM	2 39.45
		L QV55SJM	2 31.10
Mist Gray		R 5EB14SC8	2 39.45
		L QV55SC8AA	2 38.70
5 Reinf, Inst Panel			
		96 5291187AD	572.00
		97-00 5291187AD	572.00
6 Module, Pass Air Bag-See Air Bag System Section			
7 Speaker, Radio			
Base Model		R/L 4608053	3 16.50
Infinity Sound System		R/L 5269504	3 48.75
8 Hood, Cluster			
1996			
Blue		PM14SC8	6 215.00
Brown		PM14SKB	6 212.00
Silverfern		PM14SJM	6 234.00
1997			
w/Travel Pkg			
Agate		QW121AZAA	6 205.00
Mist Gray		QW121C3AA	6 217.00
Silverfern		QW121JAAA	6 172.00
w/o Travel Pkg			
Agate		PM141K5	6 230.00
Mist Gray		PM14SC8	6 215.00
Silverfern		PM141JK	6 237.00
1998			
w/Travel Pkg			
Agate		QH311K5	6 172.00
Silverfern		QW121JAAA	6 172.00
w/o Travel Pkg			
Agate		PM141K5	6 230.00
Silverfern		PM141JK	6 237.00
1999-00			
w/Travel Pkg			
Agate		QW121AZAA	6 205.00
Silverfern		QW121JAAA	6 172.00
w/o Travel Pkg			
Camel Tan		PM141K5	6 230.00
Silverfern		PM141JK	6 237.00
9 Bezel, Cluster			
1996			
Camel Tan		PM14SKB	2 212.00
Cirrus Gray		PM14SC8	2 215.00
Silverfern		PM14SJM	2 234.00
1997-00 Not Applicable			
10 Bezel, A/C Control			
Black		4595352	2 40.25
Woodgrain		4595485	2 61.75
11 Control, A/C			
		96 4610073AB	149.00
		97-00 4897215AB	137.00
12 Radio			
w/Cassette			

w/CD Player	96-99	4704384AC	.6	695.00
w/o CD Player	00	4704384AE	.6	695.00
	96-98	4671088AB	.6	725.00
	99-00	4671088AB	.6	725.00
w/o Cassette		4704380AD	.6	277.00
<i>†Order by Application</i>				
13 Amplifier, Radio		4671236AD	.6	250.00
<i>†Located Under Passenger Seat on Floor Pan</i>				
14 Module, DRL-See Front Inner Structure Section				
15 Bin, Inst Panel Storage				
1996-98				
Agate	97-98	4595795AA	18.50	
Camel Tan	96	JX04SK5	15.50	
Cirrus Gray	96	JX04RC8	14.25	
Dark Silverfern	97	QM32SJLAB	17.70	
	98	QM32SJLAB	17.70	
	97	QM32SC8	18.50	
	96	JX04RJM	17.50	
Mist Gray		4595795AA	18.50	
Silverfern	99-00	KNO3SX8	.1	20.70
Ashtray	97	KNO3SX8	.1	23.70
	98-00	4595665	.1	12.00
		4685536		11.25
		3747633		
16 Lighter, Cigarette				
17 Housing, Lighter				
18 Door, Glove Box				
Agate	98-00	KM61LAZ	#.4	33.25
Camel Tan	96-00	KM61SK5	#.4	28.50
Mist Gray	96-97	KM61RC8	#.4	33.70
Silverfern/Dark Silverfern		KM61RJM	#.4	33.70
19 Latch, Glove Box				
Agate		GL62LAZ	#.4	35.50
Camel Tan		GL62SK5	#.4	34.60
Dark Silverfern		GL62RJM	#.4	34.60
Mist Gray		GL62RC8	#.4	34.60
20 Cylinder, Lock				
<i>†Add'l Parts &/or Dealer Contact Required</i>				
Retainer, Lock Cylinder		2583377	#.4	2.60
Hinge, Glove Box Door		4595531	#.4	31.00
Bin, Glove Box		4595373	#.4	42.00
#R&R Complete				
Liner, Glove Box		4595470		47.70
Lamp, Glove Box		4565022		9.50
24 Cover, Strg Column Lower				
Agate		PG56TAZ	.3	93.35
Camel Tan		PG56SK5	.3	93.35
Mist Gray		PG56SC8	.3	96.00
Silverfern		PG56SJM	.3	96.00



004-08027			
26 Grille, Demister			
Agate	97-00	R KL93TAZ	2 6.00
		L KM18TAZ	2 4.95
Camel Tan	96	R KL93SKB	2 5.70
		L KM18SKB	2 6.95
Dark Cirrus Gray		R KL93RC8	2 5.75
		L KM18RC8	2 5.70
Dark Silverfern		R KL93RJM	2 6.00
		L KM18RJM	2 5.45

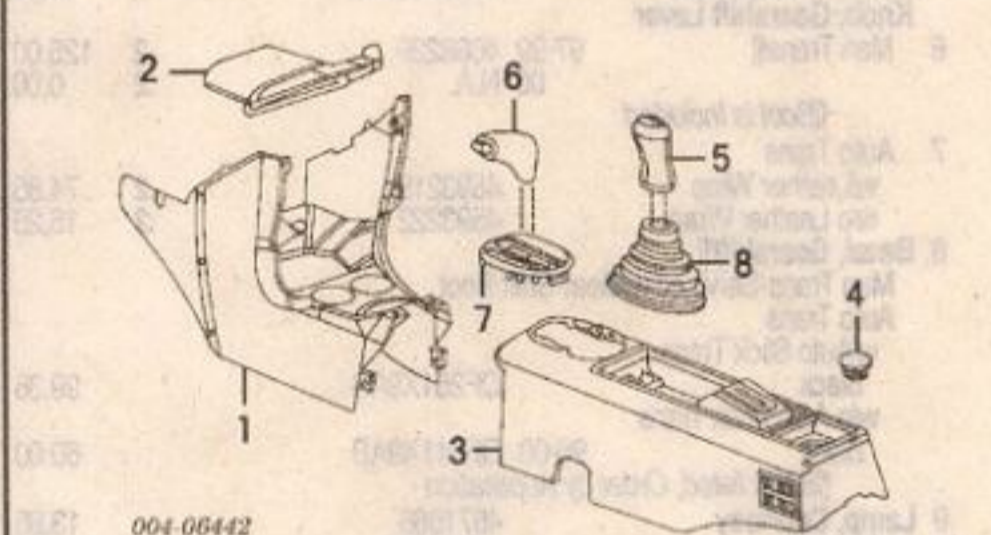
27 Vent, Side Air				
1996-98				
Agate		R/L HR94TAZ	.2	d17.25
Camel Tan	96	R/L HR94SKB	.2	22.45
Dark Cirrus Gray		R/L HR94RC8	.2	23.95
Dark Silverfern		R/L HR94RJM	.2	22.45
1999-00		R/L HR94RX9	.2	22.45
28 Vent, Center Air				
1996-98				
Agate		R/L HR96TAZ	.2	d19.25
Camel Tan	96	R/L HR96SKB	.2	25.45
Dark Cirrus Gray		R/L HR96RC8	.2	26.60
Dark Silverfern		R/L HR96RJM	.2	26.60
1999-00		R/L HR96RX9	.2	26.60
29 Duct, Demister				
		R 4595436		20.85
		L 4595437		18.50
		4595555		7.95
30 Hose, Demister				
31 Duct, Defroster				
		4595433		12.10
32 Duct, Side Vent				
		R 4595482		10.70
		L 4595483		10.85
33 Duct, Center Upper				
34 Duct, Center Lower				
		4595322		15.75
		96 4595431		11.35
		97-00 5264696		15.25
35 Duct, Heater Front				
		R 4596120		35.25
		L 4596201		29.95
36 Duct, Heater Rear				
		R/L N.A.		0.00

CENTER CONSOLE

Use Procedure Explanation 14 with the following text.

1996

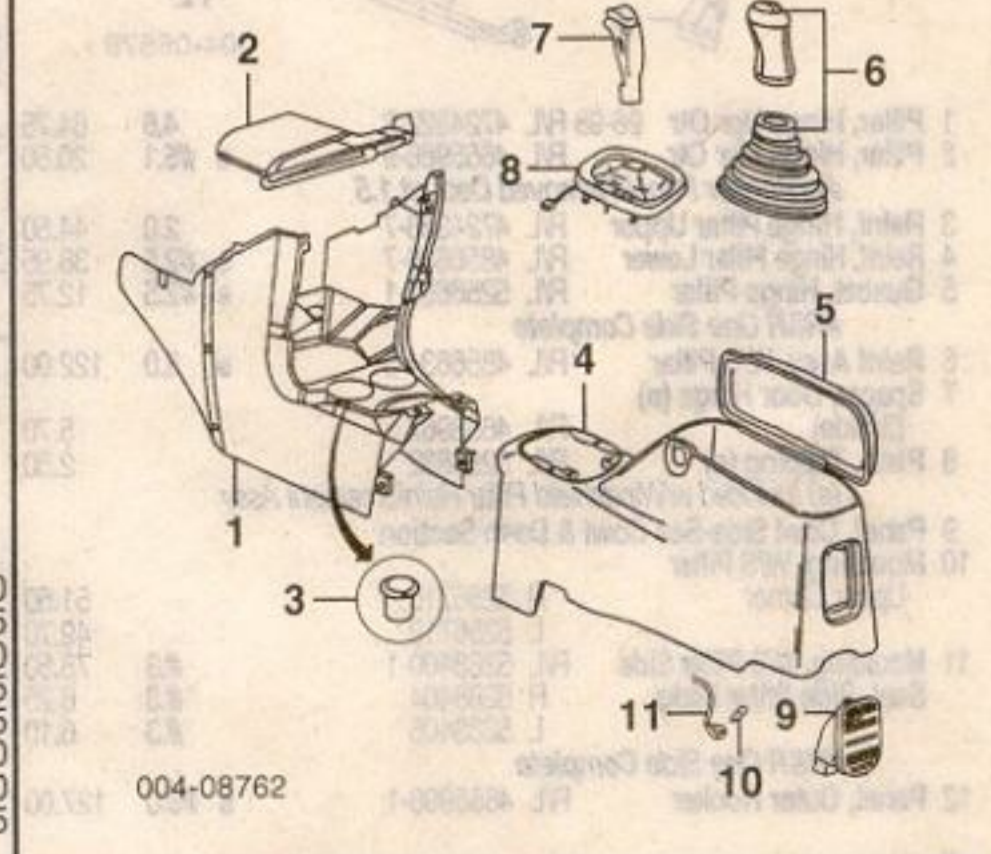
R&I Console		.5
-------------	--	----



004-06442			
1 Console, Front			
Camel Tan		KK48SK5	.5 89.50
Cirrus Gray		KK48SC8	.5 89.50
Silverfern		KK48SJM	.5 69.50
2 Bin, Front Console			
Camel Tan		KJ61SK5	19.45
Cirrus Gray/Dark Cirrus		QM32SC8	18.50
Dark Silverfern		QM32SJLAB	17.70
3 Console, Rear			
Camel Tan		FF44SK5	.4 63.50
Cirrus Gray		FF44RC8	.4 66.95
Silverfern		FF44RJM	.4 65.20
4 Plug, Rear Console (2)			
Camel Tan		MB68SK5	1.60
Cirrus Gray/Dark Cirrus		MB68RC8	1.60
Dark Silverfern		MB68RJM	1.60
Knob, Gearshift Lever			
Man Trans-Not Applicable			
Auto Trans		4593742	.1 73.00
7 Bezel, Auto Gearshift			
Slider, Bezel		4608306	85.45
Auto Trans		4775020	25.60
8 Boot, Gearshift			
Man Trans-Not Applicable			
Brkt, Console Mtg			
Front		4646930	36.00
Rear		4646931	2.75

1997-00

R&I Console		.5
-------------	--	----



004-08762			
-----------	--	--	--

SEBRING CONVERTIBLE 1996-00

CENTER CONSOLE Cont'd

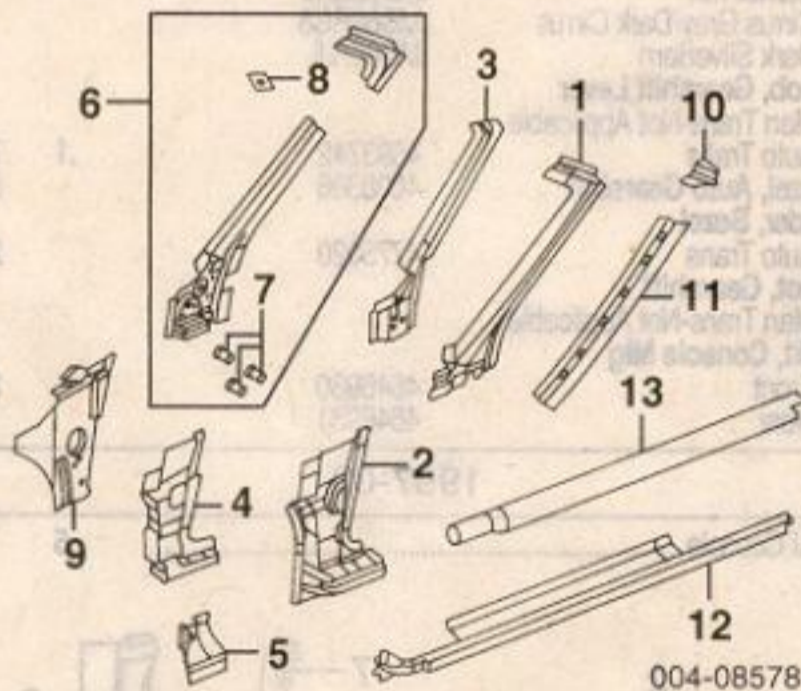
1997-00 Cont'd			
1 Console, Front			
Agate	QC70LAZ	5	92.75
Camel Tan	QC70RK5	5	88.45
Mist Gray	QC70RC8	5	89.50
Silverfern	QC70RJL	5	89.50
2 Bin, Front Console			
1997-98			
Agate	4595795AA		18.50
Mist Gray	QM32SC8		18.50
Silverfern	QM32SJLAB		17.70
1999-00	4595795AA		18.50
	82300747		20.00
3 Ashtray			
4 Console, Rear			
1997			
Agate	PW59LAZ	4	0.00
Camel Tan	PW59RK5AD	4	182.00
Mist Gray	SP08RC8AA	4	182.00
Silverfern	PW59RJLAD	4	177.00
1998-00			
Agate	PW59LAZAD	4	267.00
Camel Tan	PW59RK5AD	4	182.00
Silverfern	PW59RJLAD	4	177.00
5 Lid, Rear Console			
Agate	97-98 QN47LAZAA	2	189.00
	99-00 JV71LAZ	2	267.00
Camel Tan	JV71SK5	2	260.00
Mist Gray	JV71SC8	2	240.00
Silverfern	JV71SJL	2	260.00
Hinge, Console Lid	4665784		35.75
Striker, Console Lid	4665912		29.95
Latch, Console Lid	4665783AC		16.95
Knob, Gearshift Lever			
6 Man Trans	97-99 4668229	2	125.00
	00 N.A.	2	0.00
*Boot is Included			
7 Auto Trans			
w/Leather Wrap	4593219	2	74.85
w/o Leather Wrap	4593222	2	16.25
8 Bezel, Gearshift			
Man Trans-Serviced w/Gear Shift Boot			
Auto Trans			
w/Auto Stick Trans			
Black	QF251X9AB		99.35
w/o Auto Stick Trans			
Black	98-00 QF241X9AB		60.00
*Black listed, Order by Application			
9 Lamp, Courtesy	4671086		13.85
10 Bulb, Lamp	L0000906		1.00
11 Wiring, Lamp Socket	96-99 4671487		96.75
	00 4671487AC		49.70

ROCKER/PILLARS/FLOOR

Use Procedure Explanations 14, 15 and 28 with the following text.

SHEET METAL/EXTERIOR TRIM

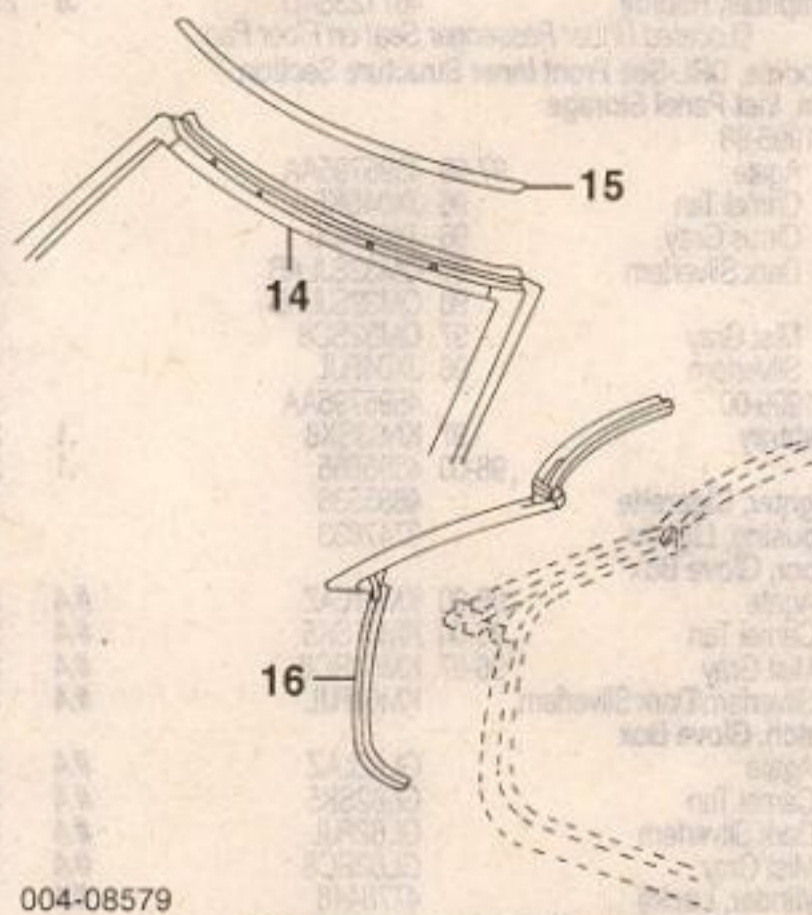
Refinish Hinge Uptr Otr Pillar	R/L	5	
Refinish Hinge Lwr Otr Pillar	R/L	1.0	
Refinish Rocker Panel	R/L	1.5	



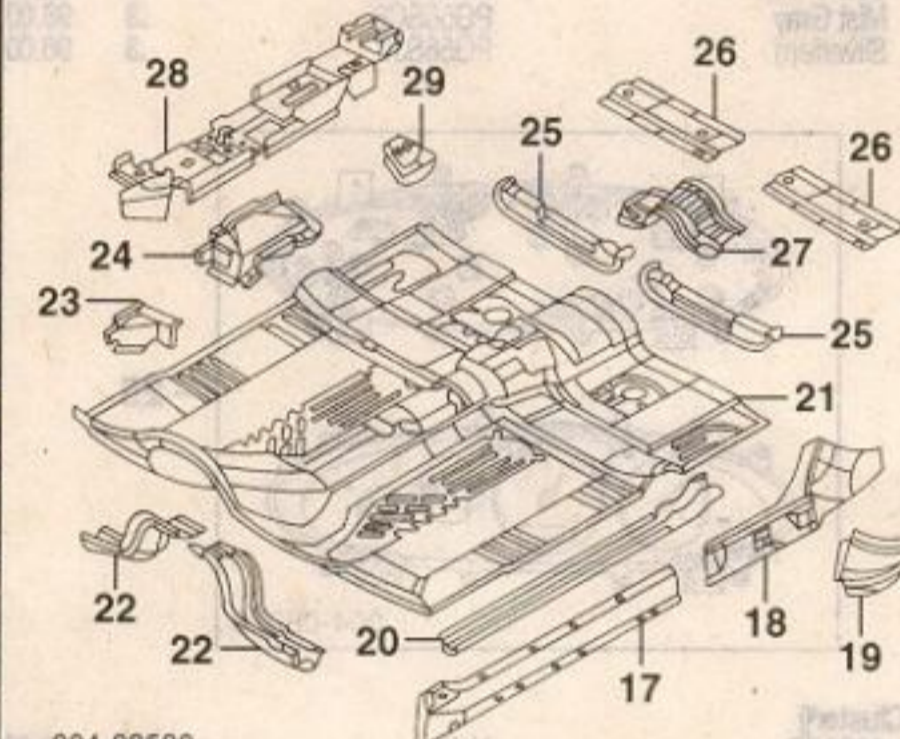
1 Pillar, Hinge Uptr Otr	96-98 R/L 4724322-3	4.6	64.75
2 Pillar, Hinge Lwr Otr	R/L 4655988-9	s #5.1	20.50
*w/Rocker Panel Removed Deduct 1.5			
3 Reinf, Hinge Pillar Upper	R/L 4724336-7	2.0	44.50
4 Reinf, Hinge Pillar Lower	R/L 4856636-7	s #2.5	38.95
5 Gusset, Hinge Pillar	R/L 5256690-1	s #2.5	12.75
*R&R One Side Complete			
6 Reinf Assy, W/S Pillar	R/L 4856634-5	s 3.0	122.00
7 Spacer, Door Hinge (a)	R/L 4658967		5.70
(3/Side)	R/L 5256832		2.50
8 Plate, Tapping (a)	R/L 5256832		2.50
(a) Included w/Windshield Pillar Reinforcement Assy			
9 Panel, Cowl Side-See Cowl & Dash Section			
10 Moulding, W/S Pillar Upper Corner	R 5256718		51.50
	L 5256719		49.70
11 Moulding, W/S Pillar Side Seal, Side Pillar Mdg	R/L 5288400-1	#3	78.50
	R 5288404	#3	6.25
	L 5288405	#3	6.10
*R&R One Side Complete			
12 Panel, Outer Rocker	R/L 4655990-1	s #8.0	127.00

#w/Quarter Panel Removed Deduct 1.8, Deduction Includes Common Surfaces & Included Operations

13 Reinf, Outer Rocker	R 5256530	s	159.00
	L 5256531	s	152.00
Tape, Chip Resistant	R/L 4724354-5	4	94.85



14 Frame, Windshield Uptr	96 4886506AA	#2.5	107.00
	97-00 4886506AA	#2.5	107.00
#w/Windshield, Interior Trim & Exterior Trim Removed			
15 Seal & Retainer, WS Frame			
Folding Top	96-97 4724330AB	.5	57.35
	98-00 4724330AC	.5	50.00
16 Weatherstrip, Windshield Surround	4724454AD	.7	97.50

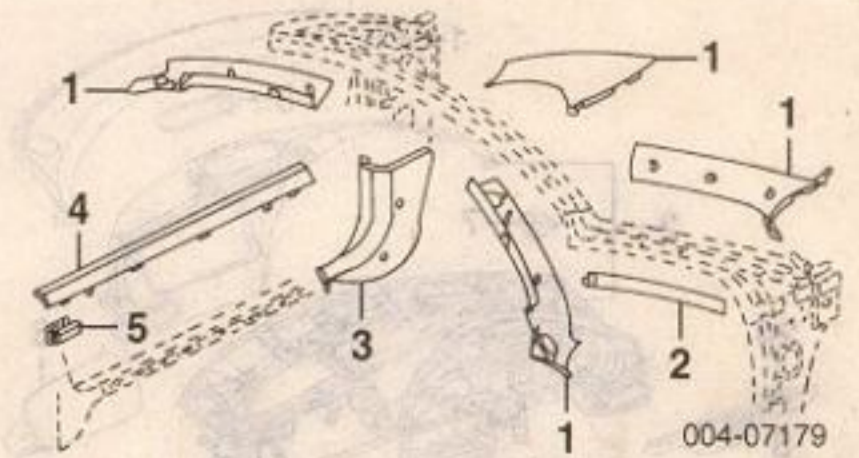


17 Panel, Inner Rocker Front	R/L 4655868-9	s #4.5	80.45
18 Panel, Inner Rocker Rear	R/L 4856766-7	s #3.0	109.00
*R&R Both One Side 7.0			
19 Reinf, Inner Rocker Rear			
Seat Belt Support	R/L 5256876-7	s 1.0	27.45
20 Rail, Floor Side	R 4856706	s 6.5	64.35
	L 4856707	s 6.5	62.95
	4724396	#28.0	215.00
21 Pan, Front Floor			
#Includes R&R Floor Side Rails, Tunnel Crossmember, Seat Adjuster Reinf & Tunnel Reinf, Deduct 1.5 for Each Inner Rocker Removed			
22 Crossmember, Tunnel	96 R 4724394		34.60
	L 5256689		34.60
	97-00 R 4724394		34.60
	L 4724395		37.85
23 Reinf, Seat Adjuster Frt	R/L 5256496-7		6.95
24 Reinf, Seat Adjuster Rear	R/L 5256494-5		48.35
25 Xmbr, Seat Mtg Front	96 R/L 4646682AB		38.35
	97-00 R/L 4646682AB		38.35
26 Xmbr, Seat Mtg Rear	R/L 4696280-1		56.75
27 Reinf, Tunnel	96 4696278		66.00
	97-00 4814493		60.50
28 Brkt, Console Mtg			
Front	4724408		89.85
Rear-See Center Console Section			
29 Brkt, Rear Torque Box	R/L 4696246-7		49.75

INTERIOR TRIM

Illustration Located in Next Column

1 Mldg, W/S Garnish-See Windshield Section			
2 Welt, Door Opening	R/L LJ41SX9	.1	12.35
3 Panel, Cowl Trim-See Cowl & Dash Section			
4 Plate, Scuff			
Agate	R HZ48TAZ	.2	14.10
	L HZ49TAZ	.2	13.25
Camel Tan	R HZ48SK5	.2	13.70



Cirrus Gray	L HZ49SK5	.2	12.50
	R HZ48SC8	.2	13.35
	L HZ49SC8	.2	13.50
Silverfern	R HZ48SJL	.2	12.20
	L HZ49SJL	.2	12.20
5 Clip, Scuff Plate Mtg (4/Side)	R/L 4647926AB		1.75

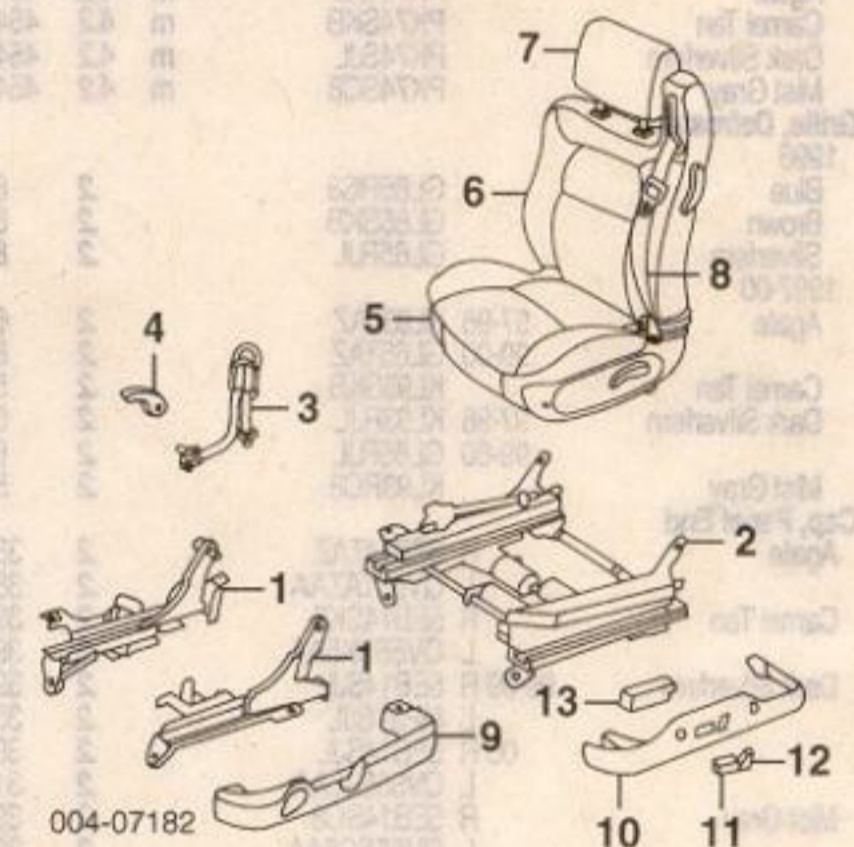
SEAT

FRONT

R&I Seat Assy..... R/L .4

NOTE 1: Seat Assy, Seat Back Assy and Headrest must be ordered by interior trim code digits 33 through 36 of the body code plate located on the Upper Tie Bar.

NOTE 2: The Torque Nut used to secure the Seat Belts to Seat Adjusters are non-reusable.



Adjuster, Pass Seat	R/L 5018638AA	#2	342.00
Adjuster, Driver Seat			
1 Manual	R 4863951	#2	242.00
	L 5011639AA	#2	242.00
	5011640AA	#4	559.00
2 Power			
*Order by Application			
#w/Seat Assy Removed			
3 Adjuster, Recline	R 5010288AA		130.00
	L 5010289AA		175.00
4 Knob, Recline	R 4856866	.1	8.50
	L 4856867	.1	7.25
Bar, Manual Adjust	R/L 4863956		3.45
5 Bottom, Seat	R PR841JK	#2	315.00
	L PR851JK	#2	304.00
6 Back, Seat	R PR861JK	#2	1150.00
	L PR871JK	#2	0.00
#w/Seat Assy Removed			
7 Headrest	R/L PR831JK	2	100.00
*Silverfern listed, Order by Application			
8 Belt, Seat-See Seat Belts Section			
Cover, Outer Side			
9 Passenger	PQ92SJK	.2	15.60
10 Driver	PQ93SJK	.2	12.70
Man Seat	PQ94SJK	.3	14.50
Pwr Seat			
*Silverfern listed, Order by Application			
11 Knob, Power Adjust	4607043	.1	4.60
12 Knob, Power Recliner	4607045	.1	6.70
	96 4601757	.3	38.50
13 Switch, Power	97-00 4671232	.3	50.00

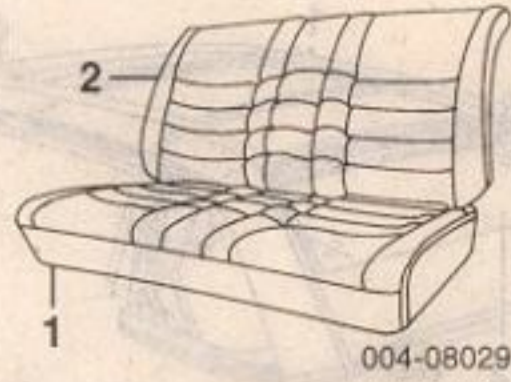
REAR

R&I Rear Seat..... 3

Illustration Located in Next Column

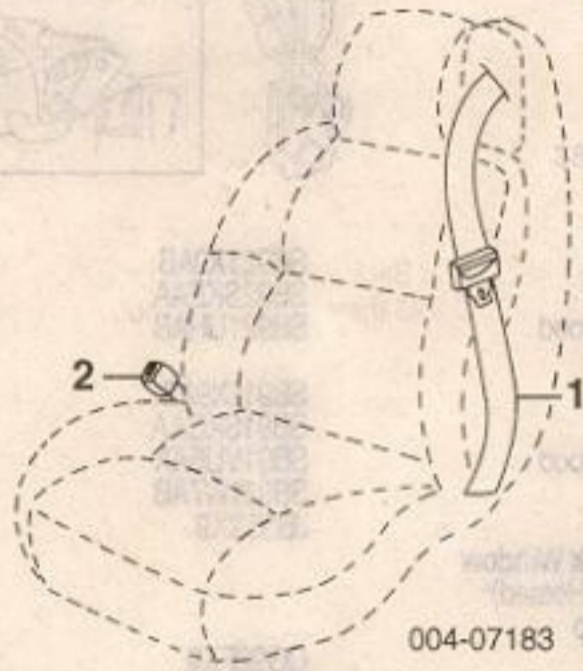
1 Bottom, Seat	PQ90SJK	.2	384.00
2 Back, Seat	PQ88SJK	#3	435.00
*Silverfern listed, Order by Application			
#Includes R&R Seat Bottom			

SEBRING CONVERTIBLE 1996-00



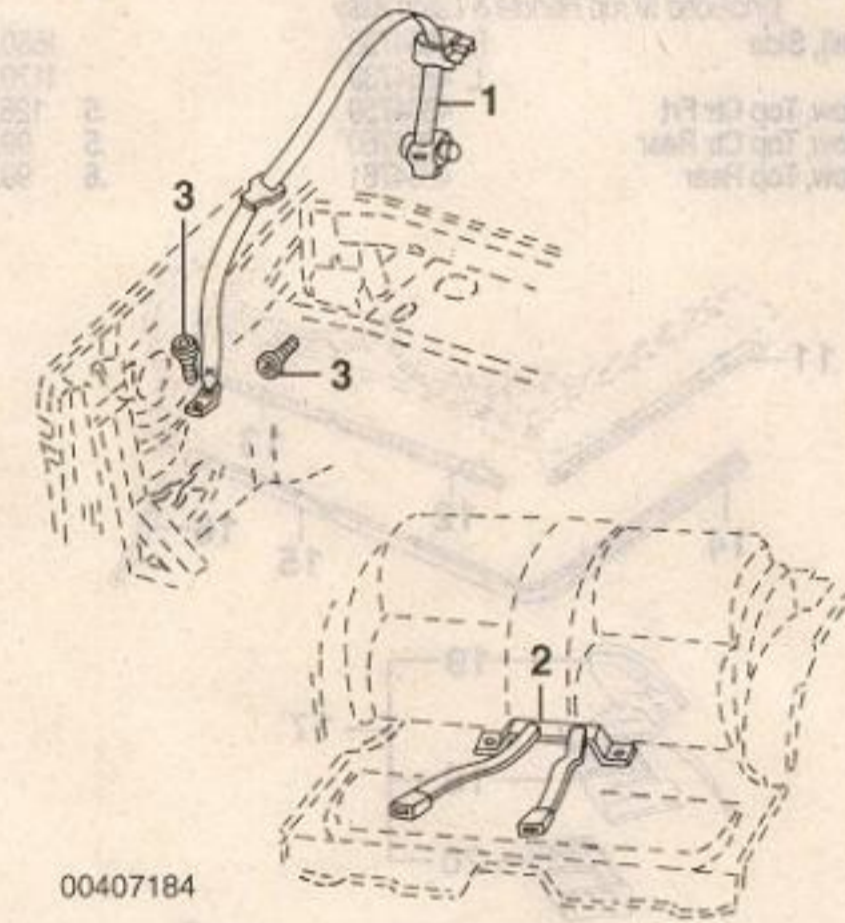
SEAT BELTS FRONT

NOTE: The Torque Nut used to secure the Seat Belt to Seat Adjuster are non-reusable.



REAR

Belt, Seat†			
1 Outer Retractor	R PW601JKAD L PW61SJK	.7	80.00
2 Inner Buckle	R/L PW63SJK	.5	75.50
†Order by Application			
Module, Seat Belt Timer			
1996-98	4671300AB		99.50
1999-00	4671300AB		99.50



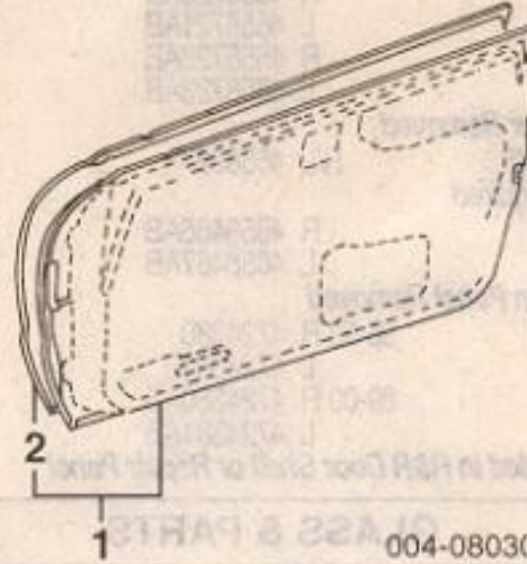
Belt, Seat†			
1 Outer Retractor	R PV58SJK L PV59SJK	#8	87.50
		#8	92.50
†Includes R&I Rear Seat & Trim Panel			
2 Inner Buckle	PV57SJK	.4	67.50
†Silverfern listed, Order by Application			
3 Bolt, Retractor Mtg (a)	R/L 6034385		2.00
(a) As Required			

FRONT DOOR

Use Procedure Explanations 16 and 28 with the following text.

SHEET METAL

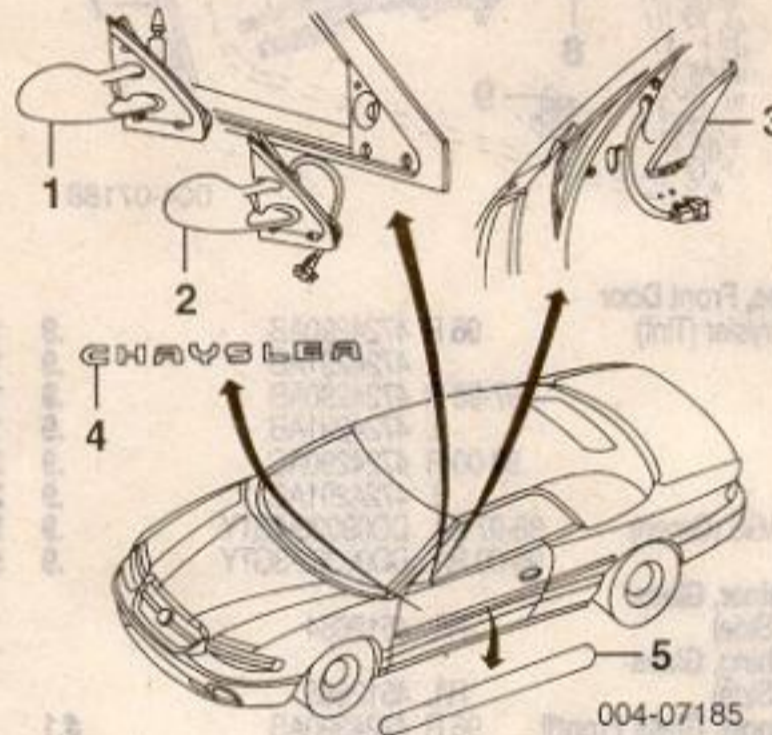
Refinish Door Outside	R/L	2.0
Add for Jamb & Interior	R/L	1.0
Add for Jamb	R/L	.5
R&I Door Assy	R/L	#6
†Includes R&I/R&R Cowl Trim Panel		



1 Shell Assy, Door†	R 4886248AC L 5027197AD	#4.5	542.00
		#4.5	515.00
†Add'l Parts &/or Dealer Contact Required			
†Includes R&I/R&R Mirror & Cowl Trim Panel			
2 Panel, Door Repair (a)	R 4658458AB L 4658459AC	#5.5	132.00
		#5.5	126.00
(a) Included w/Door Shell Assy			
†Includes R&I/R&R Mirror, Door Glass & Cowl Trim Panel			

EXTERIOR TRIM

Refinish Side Moulding	R/L	.4
R&I Outside Mirror		
Manual	R/L	.2
Power	R/L	#6
†Includes R&I Trim Panel		

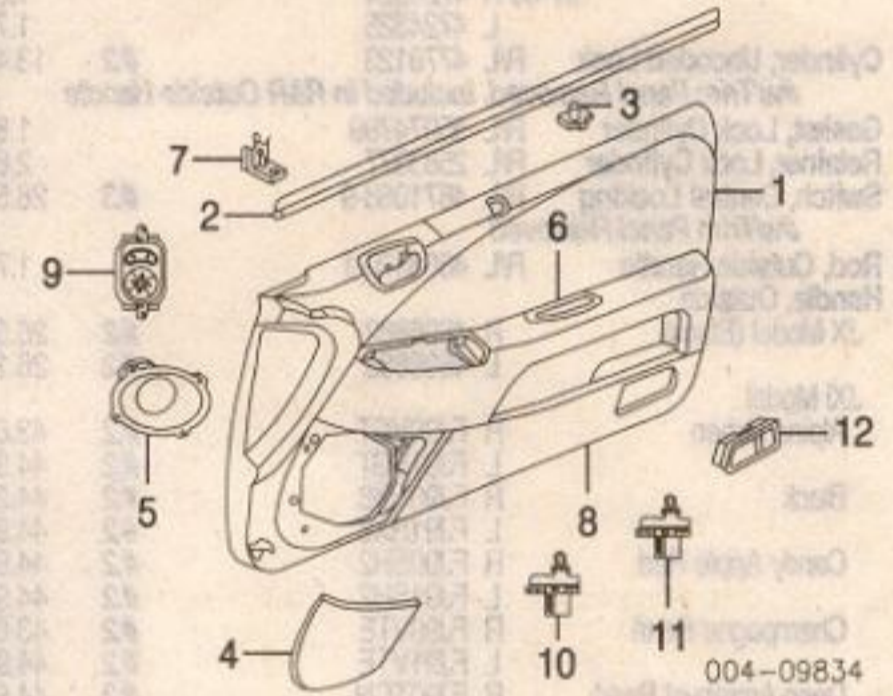


Mirror, Rear View			
1 Man Remote	R 4724250 L 4724251	.2	122.00
		.2	117.00
2 Pwr Remote	R 4724246AB L 4724247AB	#6	177.00
		#6	169.00
†Includes R&I Trim Panel			
3 Bezel, Inside			
Pwr Remote	R PM32SX9 L PM33SX9	8.10	
		7.85	
	R/L 4724352		2.85
4 Nameplate, Door			
"Chrysler"			
Chrome	R/L 5288438	.2	30.45
Gold	98-00 R/L 5288751AA	.2	30.45
"Chrysler"	97-98 R/L QP93PWH	.2	21.10
"Sebring JK"	97-98 R/L QP92PWH	.2	19.75
†"Spring Special" Model			
5 Moulding, Side			
Alpine Green	R QW74VGTAA L QW75VGTAA	.2	51.10
		.2	51.10
Black	96-99 R SB42DX8AA L QW75DX8AA	.2	56.25
		.2	45.95
	00 R SB42DX8AA L SB43DX8AA	.2	56.25
		.2	54.45
Candy Apple Red	R QW82RH2AA L QW83RH2AA	.2	60.50
		.2	60.50
Champagne Pearl	R QW82VTEAA L QW75VTEAA	.2	54.60
		.2	51.10
Deep Amethyst Pearl	97 R SB42TCNAA L QW75TCNAA	.2	57.25
		.2	51.10
	98-99 R SB42TCNAA L QW75TCNAA	.2	57.25
		.2	51.10
	00 R SB42TCNAA L SB43TCNAA	.2	57.25
		.2	57.25
Deep Cranberry	00 R SB42VMTAA L SB43VMTAA	.2	57.25
		.2	57.25
Deep Slate	R QW74VAWAA L SB43VAWAA	.2	51.10
		.2	57.25
Forest Green	R SB42SG8AA L SB43SG8AA	.2	57.25
		.2	57.25
Inferno Red	99 R SB42WELAA L SB43WELAA	.2	57.25
		.2	57.25
	00 R SB42WELAA L SB43WELAA	.2	57.25
		.2	57.25
Intense Blue	R QW74VB3AA L QW75VB3AA	.2	51.10
		.2	51.10
Island Teal	96 R PA82SPJ L PA83SPJ	.2	042.25
		.2	042.25
Light Cypress Green	96-99 R SB46WG2AA L SB47WG2AA	.2	69.50
		.2	69.50

00 R SB46WG2AA	.2	69.50	
L SB47WG2AA	.2	69.50	
Light Gold	R QW74SYLAA L QW75SYLAA	.2	55.35
		.2	55.35
Medium Fern	96-99 R QW74RJPAA L QW75RJPAA	.2	55.35
		.2	55.35
Red	96-98 R SB42PR4AA L SB43PR4AA	.2	57.25
		.2	57.25
	99 R SB42PR4AA L SB43PR4AA	.2	57.25
		.2	57.25
Shale Green	R SB42XGRAA L SB43XGRAA	.2	56.25
		.2	56.25
Silver	96-99 R QW82MS4AA L SB47MS4AA	.2	56.25
		.2	69.50
	00 R SB46WS2AA L SB47WS2AA	.2	69.50
		.2	69.50
Taupe Frost	R SB46TTKAA L SB47TTKAA	.2	69.50
		.2	69.50
Twilight Blue	96-99 R QW74PC5AA L QW75PC5AA	.2	51.10
		.2	51.10
White	96 R SB46GW7AA L SB47GW7AA	.2	69.50
		.2	69.50
	97-99 R SB46GW7AA L SB47GW7AA	.2	69.50
		.2	69.50
	00 R SB46GW7AA L SB47GW7AA	.2	69.50
		.2	69.50
Wild Orchid	96-99 R PA82SMK L PA83SMK	.2	55.35
		.2	55.35

INTERIOR TRIM

R&I Trim Panel	R/L	.4
NOTE 1: Door Trim Panel must be ordered by interior trim code digits 33 through 36 of the body code plate located on the Upper Tie Bar.		
NOTE 2: All Parts in this section are included in R&R Trim Panel unless noted otherwise.		



1 Panel, Trim† (a)	96-99 R PU541JKAE L PU551JKAE 00 R PU681JKAE L PU691JKAE	.6	325.00
		.6	264.00
		.6	305.00
		.6	300.00
†Silverfern listed, Order by Application			
(a) Includes Mounting Clips			
2 W/Strip, Inner Belt			
	R 4724302 L 4724303	.2	51.45
		.2	59.00
3 Stabilizer, W/Strip			
Moulding, Woodgrain	R/L 4658734		8.35
	R 4665694 L 4665695		22.25
			27.85
Clip, Woodgrain Mid†	R/L 6032650		1.70
†As Required			
4 Grille, Speaker†			
w/Infinity Sound	R JS62SJK L JS63SJK	#2	30.50
		#2	30.50
w/o Infinity Sound	R PR18SJK L PR19SJK	#2	19.45
		#2	20.45
†Silverfern listed, Order by Application			
5 Speaker, Radio			
	R/L 5269505	#2	51.70
†R&R One Side Complete			
6 Cup, Pull†			
	R JK52SJK L JK53SJK		13.10
			14.50
†Silverfern listed, Order by Application			
7 Brkt, Pull Cup			
	R/L 4665756		3.10
8 Pocket, Map-Serviced w/Door Trim Panel			
9 Switch, Mirror†			
	L LP63SJLAB	#3	31.60
†Silverfern listed, Order by Application			
10 Switch, Door Lock			
	R/L 5269492	#3	16.60
11 Switch, Power Window			
Passenger Side	4759144	#3	22.50
Driver Side	4897316AA	#3	130.00
Bezel, Window Switch†			
w/Pwr Locks	R JS58SJK L JS59SJK	#3	12.75
		#3	15.45
w/o Pwr Locks	R JK42SJK L JK43SJK	#3	17.75
		#3	17.25
†Silverfern listed, Order by Application			
†R&R One Side Complete			
12 Lamp, Courtesy			
Bulb, Lamp	R/L 56005076-7 R/L L0000168		37.75
			.65

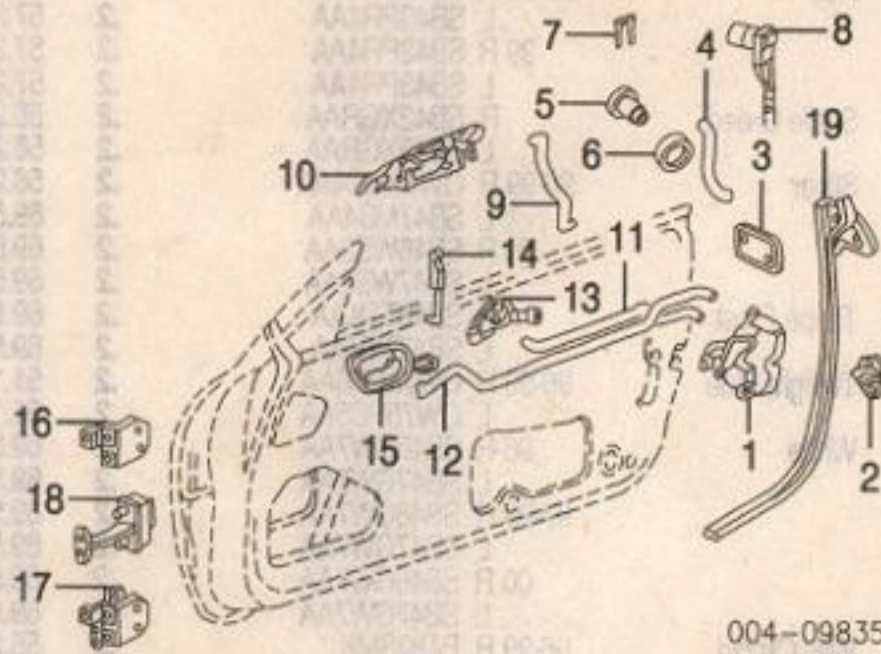
HARDWARE

Refinish Upper Hinge	R/L	.3
Refinish Lower Hinge	R/L	.3
R&I Outside Handle	R/L	#6
†Includes R&I Trim Panel		

SEBRING CONVERTIBLE 1996-00

FRONT DOOR Cont'd

HARDWARE Cont'd



004-09835

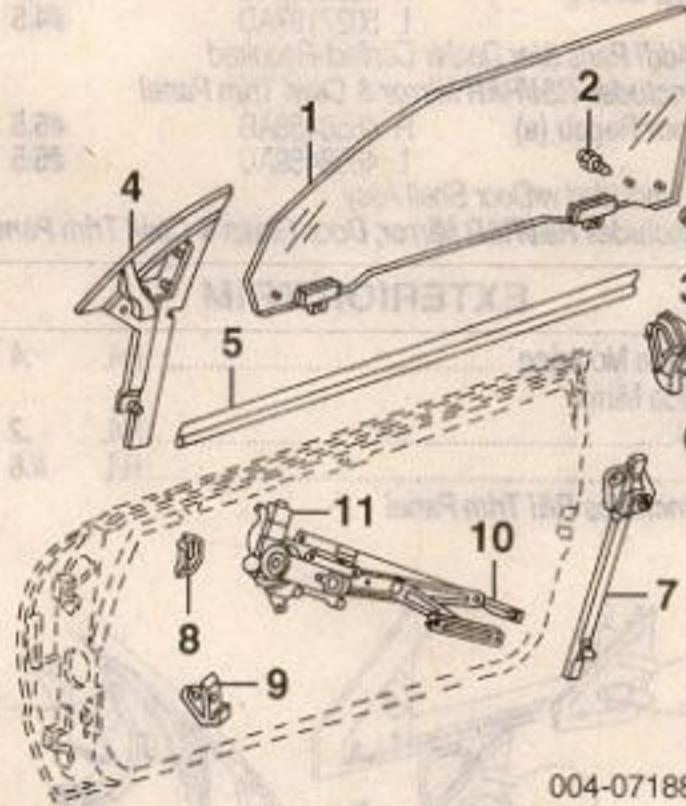
1 Latch, Door Man Locks	R 4783814AB	#2	85.60
	L 4658991	#2	66.00
	R/L 4658994-5	#2	79.45
#w/Trim Panel Removed			
2 Striker, Door Latch-See Quarter Panel Section			
3 Wedge, Door Slam Door Side	R/L 4724387		4.45
4 Rod, Lock Cylinder	96 R 4658468		1.45
	L 4658469		1.70
	97-00 R 4724324		1.60
	L 4724325		1.70
5 Cylinder, Uncoded Lock	R/L 4778123	#2	13.45
#w/Trim Panel Removed, Included in R&R Outside Handle			
6 Gasket, Lock Cylinder	R/L 55074799		1.85
7 Retainer, Lock Cylinder	R/L 2583377		2.60
8 Switch, Central Locking	R/L 4671068-9	#3	28.50
#w/Trim Panel Removed			
9 Rod, Outside Handle	R/L 4658470-1		1.70
10 Handle, Outside			
JX Model (Black)	R 4696882	#2	26.50
	L 4696883	#2	26.10
JXi Model			
Alpine Green	R FJ90VGT	#2	43.60
	L FJ91VGT	#2	44.95
Black	R FJ90RX8	#2	44.95
	L FJ91RX8	#2	44.95
Candy Apple Red	R FJ90SH2	#2	44.95
	L FJ91SH2	#2	44.95
Champagne Pearl	R FJ90VTE	#2	43.60
	L FJ91VTE	#2	44.95
Deep Amethyst Pearl	R FJ90TCN	#2	44.95
	L FJ91TCN	#2	44.95
Deep Cranberry	R FJ90VMT	#2	42.70
	L FJ91VMT	#2	44.95
Deep Slate	R FJ90VAW	#2	43.60
	L FJ91VAW	#2	44.95
Forest Green	R FJ90SG8	#2	44.95
	L FJ91SG8	#2	44.95
Inferno Red	99-00 R FJ90WEL	#2	44.95
	L FJ91WEL	#2	44.95
Intense Blue	R FJ90VB3	#2	43.60
	L FJ91VB3	#2	44.95
Island Teal	96 R FJ90SPJ	#2	44.95
	L FJ91SPJ	#2	40.85
Light Cypress Green	R FJ90WG2	#2	44.95
	L FJ91WG2	#2	44.95
Light Gold	R 5017748AA	#2	43.60
	L FJ91SYL	#2	44.95
Medium Fern	R FJ90RJP	#2	44.95
	L FJ91RJP	#2	44.95
Red	97-99 R FJ90RR4	#2	0.00
	L 5017749AA	#2	44.95
Shale Green	R FJ90XGR	#2	42.10
	L FJ91XGR	#2	42.10
Silver	96-99 R FJ90VS4	#2	43.60
	L FJ91VS4	#2	44.95
	00 R FJ90WS2	#2	42.10
	L FJ91WS2	#2	42.10
Twilight Blue	R FJ90RC5	#2	44.95
	L FJ91RC5	#2	44.95
White	99-00 R FJ90RW7	#2	44.95
	L FJ91RW7	#2	44.95
Wild Orchid	R FJ90RMK	#2	44.95
	L FJ91RMK	#2	44.95

#w/Trim Panel Removed

11 Rod, Lock Knob Lever	96 R 4658800AB		2.85
	L 4658801		2.75
	97-00 R 4658800AB		2.85
	L 4658801AB		2.75
12 Rod, Inside Handle	96 R 4658472		6.75
	L 4658473AB		6.95
	97-00 R 4658472AB		6.95
	L 4658473AB		6.95
Clip, Lock Knob Rod	R/L 4658448AC		1.75
Clip, Inside Handle Rod	R/L 4673358		1.25
13 Lever, Lock Knob	R/L 4624630		3.45
14 Knob, Lock	R/L FX32S JL		3.00
15 Handle, Inside	R MS44S JL	#2	43.00
	L MS45S JL	#2	43.85
(Silverfern listed, Order by Application)			
#w/Trim Panel Removed			
Clip, Inside Handle	R 4724214		1.75

16 Hinge, Upper	L 4724215		1.70
	R 4658720AB	#3	38.35
	L 4658721AB	#3	38.35
17 Hinge, Lower	R 4658722AB	#3	27.95
	L 4658723AB	#3	27.95
#w/Door Removed			
Spacer, Hinge	R/L 4658967		5.70
(As Required)			
18 Rod, Check	R 4658466AB	#2	24.70
	L 4658467AB	#2	24.70
#w/Trim Panel Removed			
19 W/Strip, Door	96-98 R 4724380	#5	123.00
	L 4724381	#5	117.00
	99-00 R 4724380AB	#3	101.00
	L 4724381AB	#3	104.00
#Included in R&R Door Shell or Repair Panel			

GLASS & PARTS

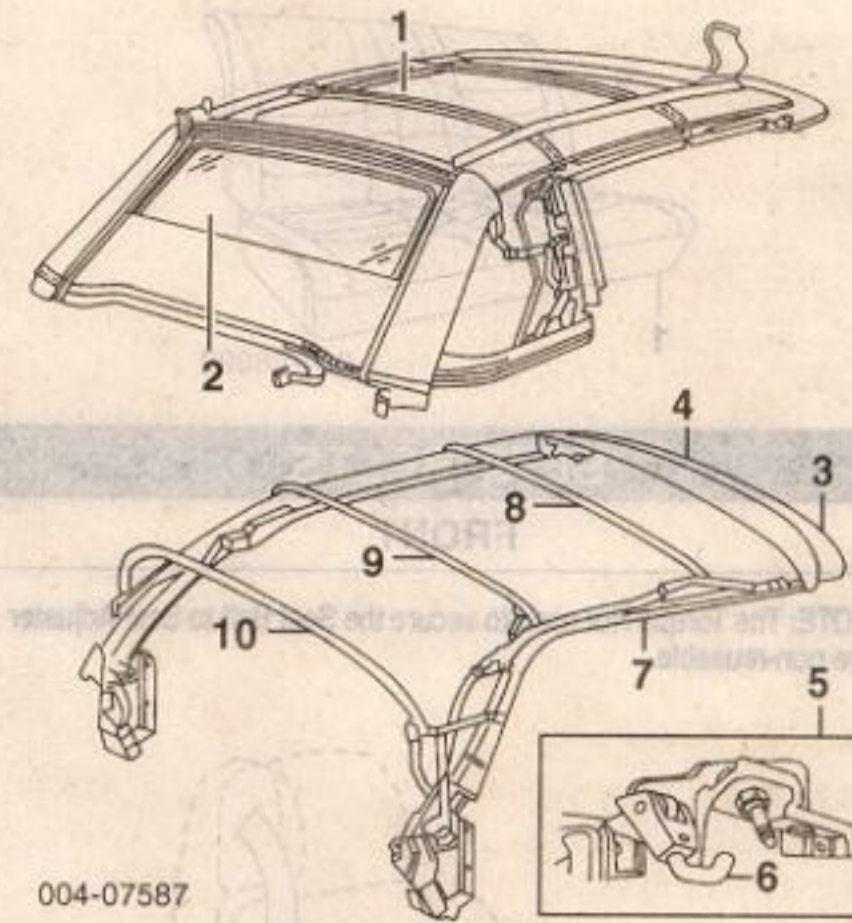


004-07188

1 Glass, Front Door			
Chrysler (Tint)	96 R 4724290AB	.9	165.00
	L 4724291AB	.9	165.00
	97-98 R 4724290AB	.9	165.00
	L 4724291AB	.9	165.00
	99-00 R 4724290AC	.9	200.00
	L 4724291AC	.9	200.00
NAGS (Green)	96-97 R/L DD09023-4GTY	.9	526.70
	98-00 R/L DD09362-3GTY	.9	526.70
2 Retainer, Glass (2/Side)	R/L 4512684		3.00
3 Bushing, Glass (2/Side)	R/L 4512685		2.35
4 Channel, Glass Front	96 R 4724390AB	#1	52.00
	L 4724391AC	#1	58.70
	97-99 R 4724390AB	#1	52.00
	L 4724391AC	#1	58.70
	00 R 4724390AC	#1	60.50
	L 4724391AC	#1	58.70
(Also Mounts Rear View Mirror)			
#w/Glass Removed			
5 W/Strip, Outer Belt	R 4724460AA	#1.2	102.00
	L 4724461AA	#1.2	102.00
#Includes R&R Door Glass			
Clip, Mounting	R/L 6504336		2.10
6 Seal, Door Upper Rear			
W/Strip End Cap	96-99 R 4724432	.1	40.25
	L 4724433	.1	38.95
	00 R 4724432	.1	40.25
	L 4724433	.1	38.95
7 Channel, Glass Rear	R 4724278AB	#2	51.10
	L 4724279AB	#2	51.10
#w/Glass Removed			
8 Upstop, Glass Upper	R/L 4724284AD		9.35
9 Upstop, Glass Lower	R/L 4724422AB		2.85
10 Regulator, Glass	96-97 R 5003260AA	#1.2	126.00
	L 5011013AA	#1.2	161.00
	98-00 R 5011012AA	#1.2	185.00
	L 5011013AA	#1.2	161.00
	96-98 R 4724206AB	#1.2	136.00
	L 4724207AB	#1.2	142.00
	99-00 R 4724416	#1.2	209.00
	L 4724417	#1.2	202.00
#R&R Complete, w/Glass Removed .3			

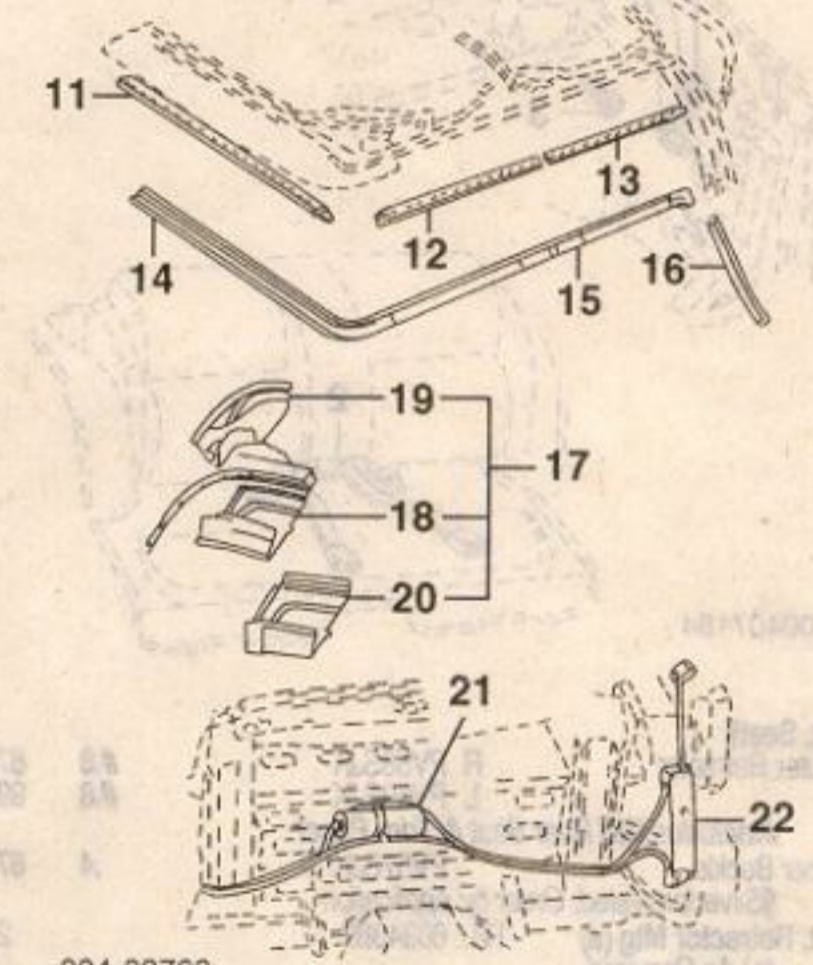
CONVERTIBLE TOP

R&I Convertible Top			4.5
Illustration Located in Next Column			
Convertible Top, Complete			
Cloth			
Flat Black	PP47TU5	5.0	2975.00
Golden Brown	PP47SX9	5.0	3100.00
Vinyl-Not Applicable			
(Order by Application)			
1 Cover, Folding Top			
Cloth			



004-07587

Black	SB921X9AB	7.5	1245.00
Camel	SB92SKEAA	7.5	1200.00
Sandalwood	SB921UHAB	7.5	1235.00
Vinyl			
Black	SB911X9AB	7.5	609.00
Camel	SB91SKCAA	7.5	517.00
Sandalwood	SB91VU6AA	7.5	634.00
White	SB911W7AB	7.5	559.00
Headliner	JB35SX9	1.9	652.00
2 Glass, Back Window			
Chrysler (Heated)			
Cloth Top			
Black	QG92FX9	#4.6	475.00
Camel	96 QG92SKE	#4.6	575.00
	97 QG92TU5AB	#4.6	617.00
	98-00 QG921UHAB	#4.6	500.00
Vinyl Top			
Black	QG901X9AB	#4.6	475.00
Camel	QG901KCAB	#4.6	475.00
Red	QG90VU6	#4.6	500.00
White	QG90SW7	#4.6	434.00
NAGS	N.A.	#4.6	0.00
#Included in R&R Top Cover			
3 Moulding, Top Cover	4864762		90.35
4 Header w/Latch, Top	4864736	.2	310.00
5 Handle & Latch Assy, Top	R/L 4864766-7	.2	245.00
6 Hook, Top Latch	R/L 4864763	.2	37.35
(Included w/Top Handle & Latch Assy)			
7 Rail, Side	R 4864738		1550.00
	L 4864739		1170.00
8 Bow, Top Ctr Frt	4864759	.5	126.00
9 Bow, Top Ctr Rear	4864760	.5	99.25
10 Bow, Top Rear	4864761	.6	99.25



004-08763

Retainer & Seal, Side Rail			
11 Front	R 4658532	#4	26.25
	L 4658533	#4	27.25
12 Center	R 4658536	#4	28.00
	L 4658537	#4	27.25
	R/L 4658538-9	#4	26.75
W/Strip, Top/Side Glass			
14 Front	96-99 R 4724458AE	#4	35.50
	L 4724459AB	#4	25.50
	00 R 4724458AE	#4	35.50
	L 4724459AE	#4	25.50
15 Center	R 4724456AB	#4	38.00
	L 4724457AB	#4	31.00
16 Rear	R 4724374AB	#4	29.35

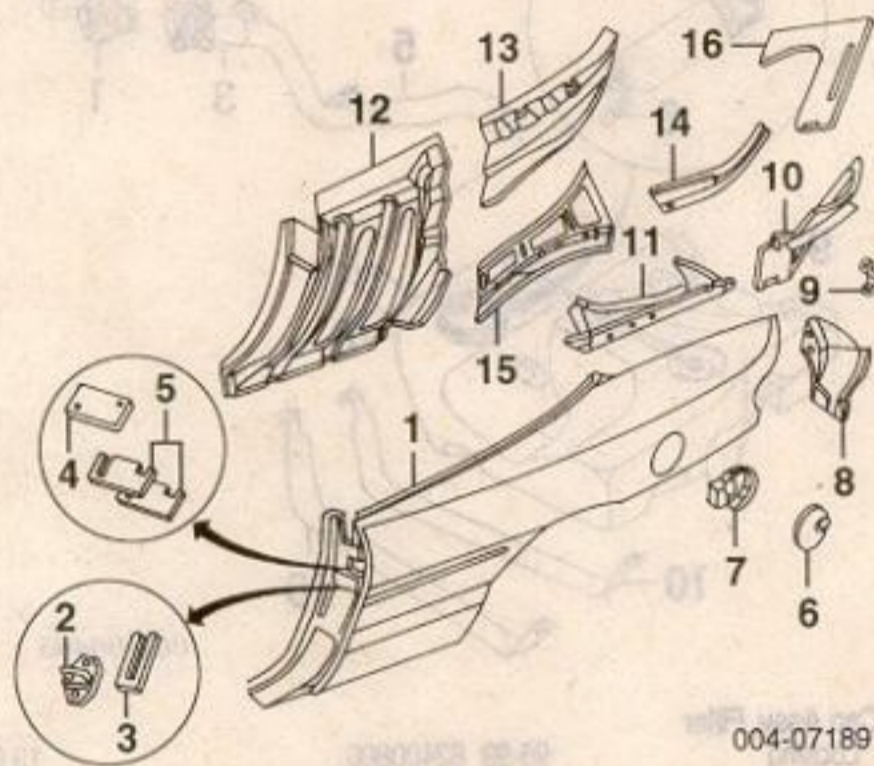
#4	27.00	L 4724375AB
#R&R Weatherstrip & Retainer Complete		
17 Topwell, Storage	4	54.20
<i>(Includes Rear Tack Strip Panel)</i>		
18 Panel, Rear Tack Strip	2	35.35
19 Topwell, Storage Outer	98 R/L	4775728-9 16.25
20 Topwell, Storage Center	97-98	4775726 64.35
21 Motor & Pump, Top	96-97	4864768 239.00
	98-00	5010039AA 165.00
22 Cylinder, Motor	96-97 R/L	4864770 132.00
	98-00 R/L	5010041AC 78.75
Insulator, Topwell		
Wheelhouse Pattern	4665598	68.35
Rear Seat Pattern	4665971	26.25
Boot, Folding Top		
Agate	98-99	QG88LAZAB 595.00
	00	QG88LAZAB 595.00
Blue/White	97-99	QG88TWC 490.00
Gray	97-98	QG88SC8 1140.00
Silverfern	97-99	QG88RULAB 535.00
	00	QG88RULAB 535.00
Tan	97-99	QG88RK5AB 535.00
	00	QG88RK5AB 535.00
Bag, Boot Storage	5288304	17.20

QUARTER PANEL

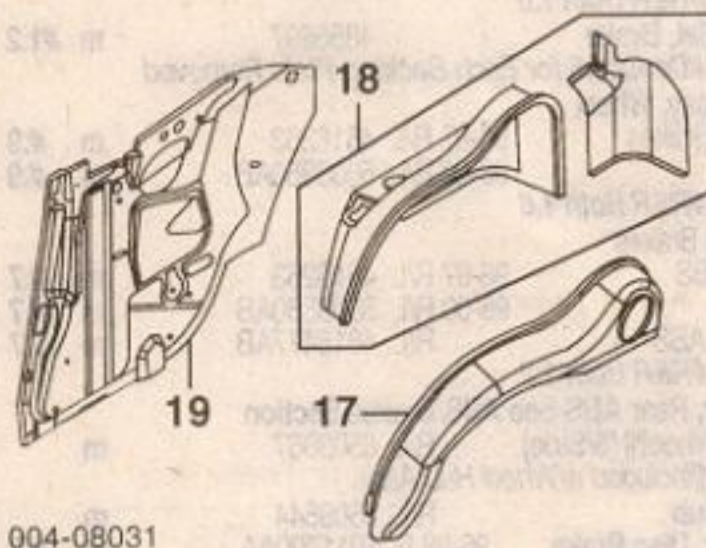
Use Procedure Explanations 20 and 28 with the following text.

SHEET METAL

Refinish Quarter Outside	R/L	2.1
Add to Edge	R/L	5
Add for Pillar	R/L	5
Refinish Fuel Door		4
Refinish Tail Lamp Mtg Panel	R/L	5
Refinish Lower Extension	R/L	5
R&R Both Quarter Panels		30.2
R&R Rear Body Panel & Both Quarter Panels		38.0
R&I Splash Shield	R/L	2

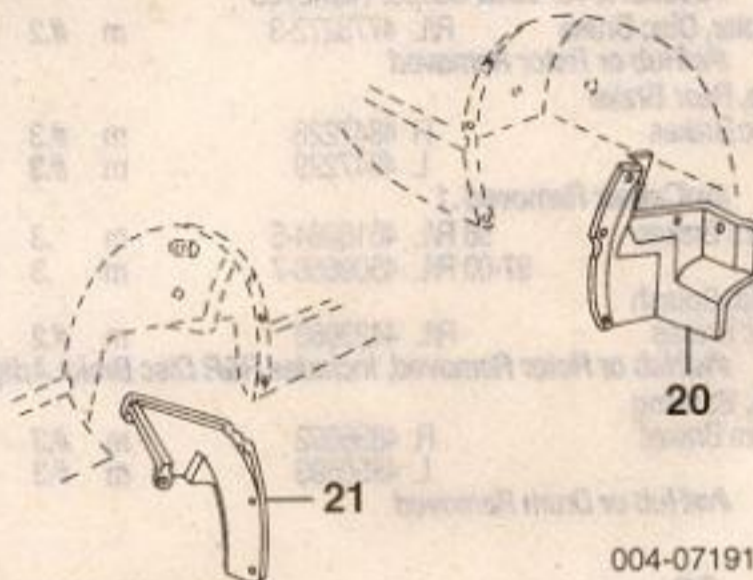


1 Panel, Quarter Outer	R/L	5256460-1	#16.8	569.00
<i>#Right Side Includes R&R Antenna, Left Side Includes R&R Fuel Door, Time Includes R&R Lower Extension & Transfer Striker Plate</i>				
2 Striker, Door Latch	96-98 R/L	4520288	2	8.50
	99-00 R/L	4780259	2	8.75
3 Shim, Striker				
2.0/2.5mm Thick	R/L	55075483	1.50	
3.75mm Thickness	R/L	4520289	2.75	
4 Wedge, Door Slam	96-97 R/L	4724386	4.45	
Body Side	98-00 R/L	4724386AB	4.50	
5 Shim, Wedge				
Thick	R/L	4724225	2.75	
Thin	R/L	4724224	2.45	
Plate, Striker Tapping	R/L	55256000	#4	4.50
<i>#Included in R&R Quarter Panel</i>				
Retainer, Tapping Plate	R/L	4512871		3.00
6 Door, Fuel	L	4646202AB	2	21.45
Bumper, Fuel Door	L	J4000093		2.50
7 Reinf, Fuel Filler	L	5256862		25.10
Bumper, Reinf	L	5256863		2.35
8 Panel, Tail Lamp Mtg	R	4864968AA	#2.5	53.85
	L	4864969	#2.5	53.60
<i>#w/Quarter Panel Removed Deduct 1.0</i>				
9 Filler, Tail Lamp Mtg Panel	R/L	4724362-3	.5	4.95
10 Ext, Qtr Lower Rear	R/L	4856684-5	1.5	55.75
11 Trough, Drain	R	4856758	#1.5	90.25
	L	4856759	#1.5	44.50
<i>#Not Included in R&R Quarter Panel</i>				
12 Reinf, Otr Quarter Frt	R/L	4856678-9	2.0	180.00
13 Reinf, Otr Quarter Rear	R/L	4856662-3	1.5	44.50
14 Ext, Rear Reinf/Trough	R/L	4655944-5	1.0	15.45
15 Gusset, Outer Wheelhouse Reinf	R/L	5256808-9	1.5	36.85
Antenna, Manual Radio		4671173	.3	13.25
Antenna, Power Radio	96-98	82203230	.3	58.50
	99-00	82203196	.3	86.00
Mast, Manual Antenna		4671230	.3	17.50
Mast, Power Antenna		4856624	.3	24.25
Nut, Antenna Cap		4671171		2.60
16 Panel, Qtr Inner Rear	R	5256572	1.0	21.45
	L	5256573	1.0	18.35



004-08031

17 Wheelhouse, Outer	R	4856680	2.5	143.00
	L	4856681	2.5	139.00
18 Wheelhouse, Inner	R/L	4856700-1	s 3.0	141.00
19 Panel, Quarter Inner	R/L	4856724-5	2.5	101.00

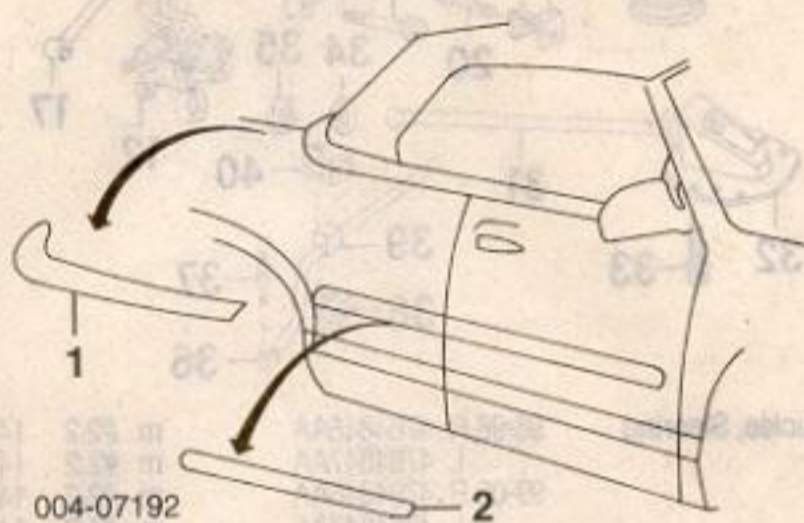


004-07191

20 Shield, Right Splash	96-99	5256760AB	.2	11.35
	00	5256760AB	.2	11.35
21 Shield, Left Splash		5256761	.2	18.10

EXTERIOR TRIM

Refinish Side Moulding	R/L	.4
R&I Quarter Belt Mldg	R/L	#3
<i>#w/Trim Panel Removed</i>		
R&I Quarter Side Mldg	R/L	#3
<i>#Included in R&R Quarter Panel</i>		



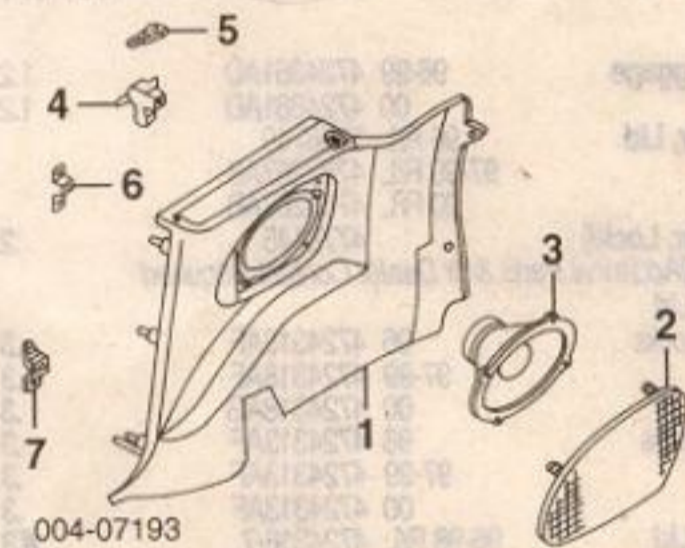
004-07192

1 Mldg, Quarter Belt	96-99 R	5288418AE	#3	128.00
	L	5288419AE	#3	128.00
	00 R	5288418AE	#3	128.00
	L	5288419AE	#3	128.00
<i>#w/Quarter Trim Panel Removed, Included in R&R Quarter Panel</i>				
2 Moulding, Side				
Alpine Green	97-98 R	QW76VGTAA	#3	35.10
	L	QW77VGTAA	#3	36.45
Black	96-99 R	SB44DXBAA	#3	43.60
	L	SB45DXBAA	#3	43.60
	00 R	SB44DXBAA	#3	43.60
	L	SB45DXBAA	#3	43.60
Candy Apple Red	96-99 R	QF32SH2	#3	36.45
	L	QW77RH2AA	#3	36.45
Champagne Pearl	98-99 R	QW84VTEAA	#3	40.00
	L	SB49VTEAA	#3	44.00
Deep Amethyst Pearl	97 R	QW76TCNAA	#3	36.45
	L	QW77TCNAA	#3	35.35
	98-99 R	QW76TCNAA	#3	36.45
	L	QW77TCNAA	#3	35.35
	00 R	SB44TCNAA	#3	44.00
	L	SB45TCNAA	#3	44.00
Deep Cranberry	00 R	SB44VMTAA	#3	44.00
	L	SB45VMTAA	#3	44.00
Deep Slate	98-99 R	SB44VAWAA	#3	44.00
	L	SB45VAWAA	#3	44.00
Forest Green	96-97 R	SB44SG8AA	#3	44.00
	L	SB45SG8AA	#3	44.00
	98-00 R	SB44SG8AA	#3	44.00
	L	SB45SG8AA	#3	44.00
Inferno Red	99 R	SB44WELAA	#3	44.00
	L	SB45WELAA	#3	44.00
	00 R	SB44WELAA	#3	44.00
	L	SB45WELAA	#3	44.00
Intense Blue	98-99 R	QW76VB3AA	#3	34.70
	L	QW77VB3AA	#3	36.45
Island Teal	96 R	PA86SPJ	#3	d28.25

Light Cypress Green	96-99 R	PM25SPJ	#3	d24.25
	L	SB48WG2AA	#3	44.00
	00 R	SB49WG2AA	#3	44.00
	L	SB49WG2AA	#3	44.00
Light Gold	96-99 R	QW76SYLAA	#3	36.45
	L	QW77SYLAA	#3	36.45
Medium Fern	96-99 R	QW76RJPAA	#3	36.45
	L	QW77RJPAA	#3	36.45
Red	96-99 R	SB44PR4AA	#3	44.00
	L	QW77PR4AA	#3	36.45
Shale Green	00 R	SB44XGRAA	#3	43.60
	L	SB45XGRAA	#3	43.60
Silver	98-99 R	QW84MS4AA	#3	39.60
	L	QW85MS4AA	#3	39.60
	00 R	SB46WS2AA	#3	69.50
	L	SB47WS2AA	#3	69.50
Taupe Frost	R	SB48TTKAA	#3	44.00
	L	SB49TTKAA	#3	44.00
Twilight Blue	96-99 R	QW76PC5AA	#3	36.45
	L	QW77PC5AA	#3	36.45
White	96 R	QW56GW7AA	#3	62.95
	L	QW57GW7AA	#3	62.95
	97-99 R	QW56GW7AA	#3	62.95
	L	QW57GW7AA	#3	62.95
	00 R	SB48GW7AA	#3	44.00
	L	SB49GW7AA	#3	44.00
Wild Orchid	96-99 R	QF32SMK	#3	36.45
	L	QF33SMK	#3	36.45

#Included in R&R Quarter Panel

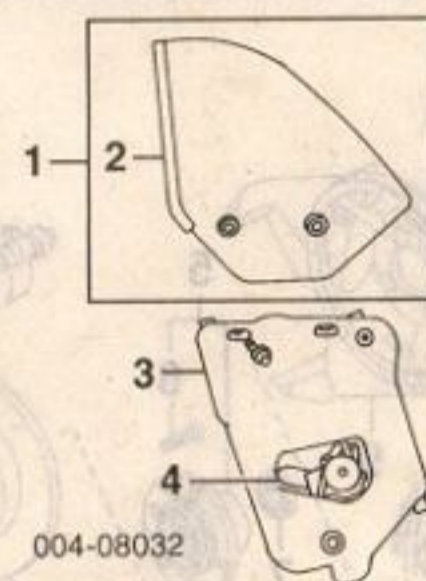
INTERIOR TRIM



004-07193

1 Panel, Quarter Trim	96 R	4886102AA	#6	220.00
	L	4886103AA	#6	202.00
	97-99 R	PR58RULAB	#6	235.00
	L	PR59RULAD	#6	265.00
	00 R	PR58RULAD	#6	265.00
	L	PR59RULAD	#6	265.00
<i>#Includes R&I Seat & Transfer Speaker</i>				
2 Grille, Speaker	R	JJ58SJL	.1	16.00
	L	JJ59SJL	.1	15.20
<i>(Silverfern listed, Order by Application)</i>				
3 Speaker, Radio				
w/Infinity Sound	96 R/L	5269506	#2	88.50
	97-00 R/L	4671237	#2	92.50
w/o Infinity Sound	R/L	5269493	#2	35.00
<i>#Includes R&R Grille</i>				
Clip, Trim Panel Mtg				
4 Front	R	5256884		3.60
	L	5256885		3.70
5 Rear	R/L	5256886-7		2.45
6 Upper Front	R	4783010		2.95
	L	4783011		3.00
7 Lower Front	R/L	5256875		3.00

QUARTER GLASS



004-08032

1 Glass Assy, Quarter				
Chrysler (Tint)	96-97 R/L	4724404-5	1.0	200.00
	98-00 R	4724404AC	1.0	200.00
	L	4724405AC	1.0	200.00
NAGS (Green)	96-97 R/L	DQ09025-6GTY	1.0	622.25
	98-00 R/L	DQ09364-5GTY	1.0	622.25
2 W/Strip, Glass	96-98 R	4724402AE	1.2	65.70
	L	4724403AE	1.2	63.85
	99-00 R	4724402AC	1.2	64.35
	L	4724403AC	1.2	59.70
<i>#Included w/Quarter Glass Assy</i>				
3 Regulator, Glass	R	5066040AA	#1.6	239.00
	L	4864935	#1.6	205.00

SEBRING CONVERTIBLE 1996-00

QUARTER GLASS Cont'd

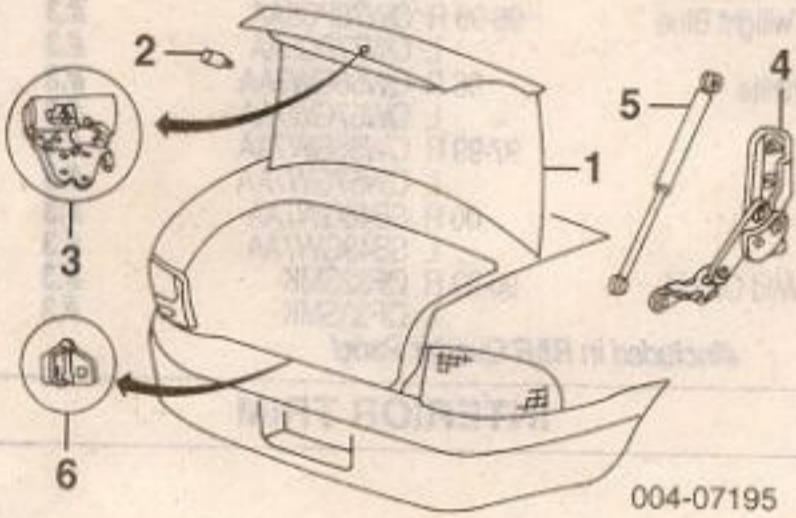
4 Motor, Regulator	96 R 4724416	#1.6	209.00
	L 4724417	#1.6	202.00
	97-00 R 4724416	#1.6	209.00
	L 4724417	#1.6	202.00

#R&R Complete, w/Trim Panel Removed Deduct .6

LUGGAGE LID

Use Procedure Explanations 24 and 28 with the following text.

Refinish Luggage Lid Outside	2.0
Add for Underside	1.0
Refinish Hinge	R/L 2
R&I Luggage Lid	5



1 Lid, Luggage	96-99 4724361AD	1.2	417.00
	00 4724361AD	1.2	417.00
2 Bumper, Lid	96 R/L 5256749		1.70
	97-99 R/L 4783267AB		11.75
	00 R/L 4783267AB		11.75
Cylinder, Lock	4778145	2	13.50
*Additional Parts &/or Dealer Contact Required			
3 Latch, Lid			
Man Locks	96 4724318AF	3	23.75
	97-99 4724318AF	3	23.75
	00 4724318AG	3	27.95
Pwr Locks	96 4724313AF	3	65.70
	97-99 4724313AF	3	65.70
	00 4724313AF	3	65.70
4 Hinge, Lid	96-98 R/L 4724316-7	#3	45.50
	99-00 R 4724316AB	#3	55.35
	L 4724317AB	#3	55.35
#w/Luggage Lid Removed			
5 Prop, Lid	96 R/L 4783045	1	23.50
	98-00 R/L 4783045AB	1	28.25
6 Striker, Latch	96-99 4615513	2	5.70
	00 5027216AA	2	10.70
Weatherstrip, Lid	96-99 4658540AB	2	63.85
	00 4658540AB	2	63.85

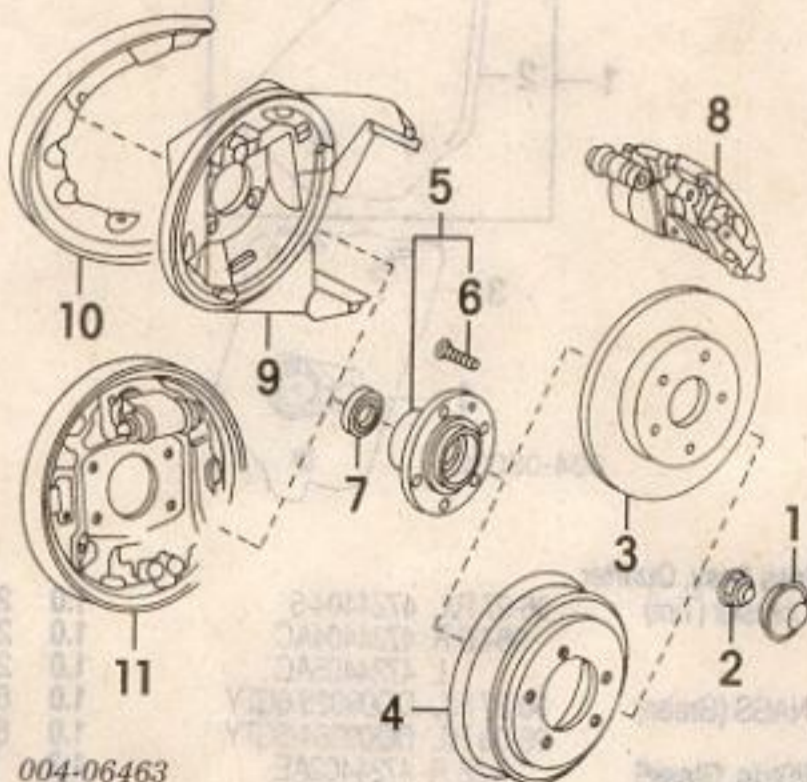
REAR SUSPENSION

Use Procedure Explanation 23 with the following text.

R&I Suspension/Crossmember (Complete)	m	3.5
R&I Suspension (One Side)	R/Lm	2.5
O/H Suspension		
One Side	R/Lm	4.1
Both Sides	m	7.8
Adjust Four Wheel Alignment	m	1.9
Bleed Brake System		
w/ABS	m	.6
w/o ABS	m	.3

NOTE 1: R&I/R&R or O/H Does Not include alignment or bleed brake system.

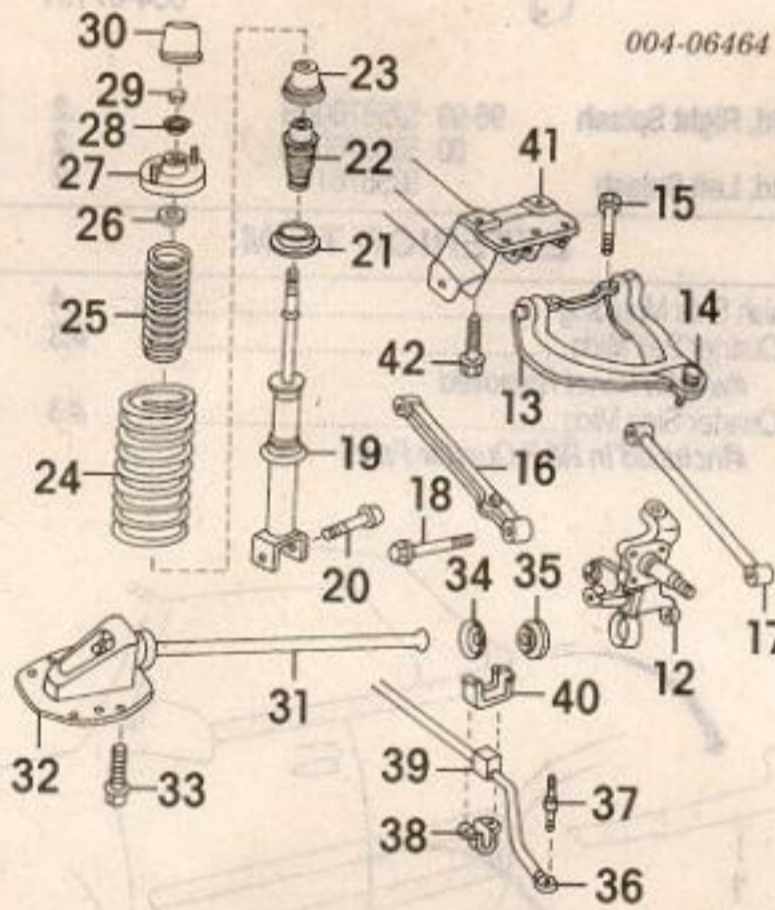
NOTE 2: All Parts in this section are included in overhaul unless noted otherwise.



1 Cap, Hub Dust	R/L 4509396	2.45
2 Nut, Locking	R/L 6502432	7.75
3 Rotor, Brake	96-99 R/L 4764934AA	m #8 52.35
	00 R/L 4764934AA	m #8 52.35

#R&R Both 1.4

4 Drum, Brake	R/L 4509676	m #6	85.00
#R&R Both 1.0			
Shoe Set, Brake	4856697	m #1.2	73.20
#Deduct .6 for Each Backing Plate Removed			
5 Hub Assy, Wheel			
Disc Brakes	96-97 R/L 4616263	m #9	92.70
	98-00 R/L 5003550AB	m #9	98.70
#R&R Both 1.6			
Drum Brakes			
w/ABS	96-97 R/L 4616263	m #7	92.70
	98-00 R/L 5003550AB	m #7	98.70
w/o ABS	R/L 4616477AB	m #7	80.75
#R&R Both 1.2			
Sensor, Rear ABS-See ABS/Brakes Section			
6 Stud, Wheel	R/L 6503067	m	1.95
*Included w/Wheel Hub Assy			
7 Seal, Hub	R/L 4509544	m	1.00
8 Caliper, Disc Brake	96-98 R 5011700AA	m #5	84.20
	L 5011701AA	m #5	84.20
	99-00 R 5011700AA	m #5	84.20
	L 5011701AA	m #5	84.20
#w/Rotor Removed Deduct .4, w/Four Wheel ABS Add .4			
Pad Set, Brake	96-98 5012651AA	m #1.0	150.00
	99-00 5012651AA	m #1.0	150.00
#Deduct .5 for Each Caliper Removed			
9 Adapter, Disc Brake	R/L 4773272-3	m #2	96.75
#w/Hub or Rotor Removed			
Hose, Rear Brake			
Disc Brakes	R 4847228	m #3	0.00
	L 4847229	m #3	23.20
#w/Caliper Removed .1			
Drum Brakes	96 R/L 4616064-5	m #3	23.20
	97-00 R/L 4509656-7	m #3	18.75
10 Shield, Splash	R/L 4423663	m #2	26.95
#w/Hub or Rotor Removed, Includes R&R Disc Brake Adapter			
11 Plate, Backing			
Drum Brakes	R 4856692	m #3	41.10
	L 4856693	m #3	39.25
#w/Hub or Drum Removed			



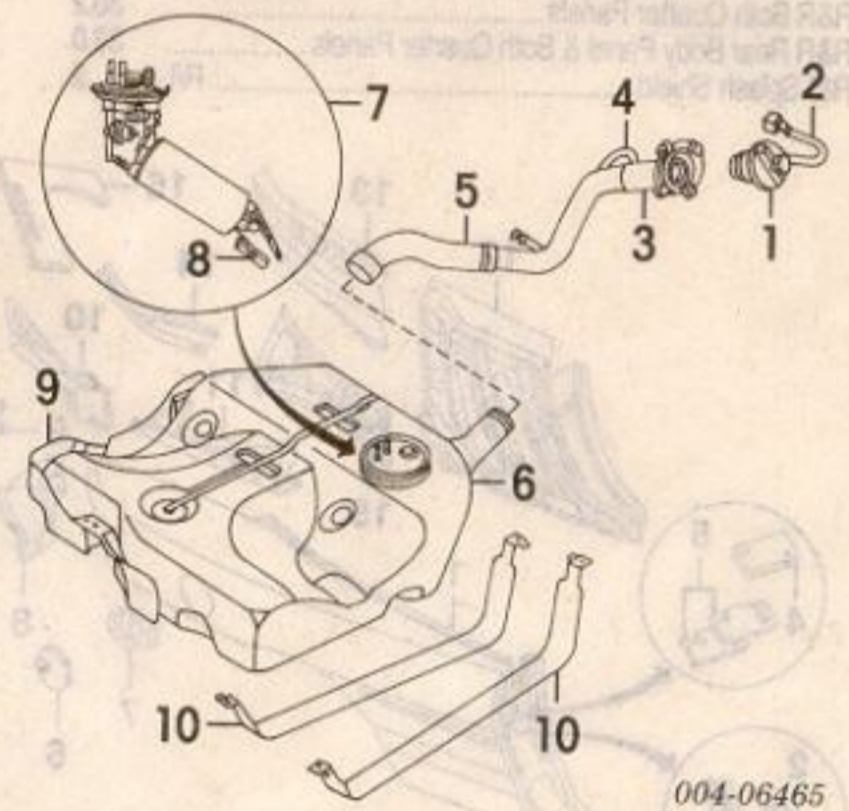
12 Knuckle, Steering	96-98 R 4764846AA	m #2.2	141.00
	L 4764847AA	m #2.2	141.00
	99-00 R 4764846AA	m #2.2	141.00
	L 4764847AA	m #2.2	141.00
#Includes R&R Drum or Rotor & Hub			
13 Arm Assy, Upper Control	R/L 4656240-1	m #2.3	200.00
#w/Knuckle Removed Deduct 1.0			
14 Ball Joint	R/L 4616570	m .8	54.60
Bushing, Arm	R/L 4616430	m	10.60
*Included w/Upper Control Arm Assy			
15 Bolt, Arm Mtg	96 R/L 6101779		1.85
(2/Side)	97-00 R/L 6504586		2.60
	R/L 4626904	m #1.1	88.35
17 Link, Rear Lateral	R/L 4695548	m #1.1	67.10
#w/Knuckle Removed Deduct .6 Each			
Bushing, Inner Link	R/L 4695332	m	1.50
(2/Side)	R/L 6101749	m	2.00
18 Bolt, Link Outer Mtg			
19 Absorber, Shock			
1997-98	R/L 4626822	m #1.3	81.10
Std Susp	R/L 4656341	m #1.3	83.75
Firm Feel Susp	R/L 4782266AA	m #1.3	65.60
1999-00	R/L 6503622	m #1.3	2.50
Bolt, Lower Mtg	R/L 4616201	m #1.3	2.20
21 Seat, Spring Lower	R/L 4616701	m #1.3	17.45
22 Bumper, Jounce	R/L 4695148	m #1.3	4.00
23 Cup, Stop			
24 Spring, Coil	R/L 4656161	m #1.3	54.20
Std Susp	R/L 4626982	m #1.3	636.00
Firm Feel Susp			
*Order by Application			
25 Shield, Dust	R/L 4695149	m #1.3	3.00
26 Washer, Lower Bushing	R/L 4695030	m #1.3	1.95
27 Mount, Upper	96 R/L 4695766	m #1.3	15.00
	97-00 R/L 4626931	m #1.3	16.25
*Includes Bushing			
28 Washer, Upper Bushing	R/L 4616934	m #1.3	2.00
29 Nut, Upper Mtg	R/L 6503644	m #1.3	1.75
30 Cap, Upper Mount	R/L 4695361	m #1.3	2.95
#R&R One Side Complete, w/Knuckle Removed Deduct .3			

31 Link, Trailing	R/L 4695891	m #1.5	24.75
#w/Knuckle Removed Deduct .3			
32 Bracket, Front Mtg	R 4695034	m .5	27.75
	L 4695035	m .5	28.25
	R/L 6503733	m .5	1.60
33 Bolt, Mtg (4/Side)			
34 Retainer, Bushing	R/L 4616783		2.00
Front (2/Side)	R/L 4616077		2.00
Rear (2/Side)	R/L 4616076	m	2.10
35 Bushing, Rear (2/Side)			
36 Bar, Stabilizer			
4 Cyl			
Std Susp	4626819	m #7	66.70
Firm Feel Susp	4764862AA	m #7	48.20
6 Cyl			
Std Susp	4626819	m #7	66.70
Firm Feel Susp	4764862AA	m #7	48.20
1999-00	4695742	m #7	56.35
#Not Included in O/H			
37 Link, Bar Outer	R/L 4695831	m #3	11.10
#R&R Both .5, Not Included in O/H			
38 Clamp, Inner Bushing	R/L 4616088	m	4.35
39 Bushing, Inner	R/L 4616087	m	5.50
40 Bracket, Bar Mtg	R 4695076AB	m	12.35
	L 4695077AB	m	12.35
	R/L 4696813	m #5.8	91.70
41 Crossmember, Rear Susp	98-00 4696813AB	m #5.8	93.85
#For Each Control Arm Removed Deduct 1.0, for Each Lateral Link Removed Deduct .5, w/Stabilizer Bar Removed Deduct .4, Not Included in O/H Suspension			
42 Bolt, Mtg (2/Side)	R/L 6505170AA		2.50

FUEL TANK

R&I Fuel Tank	1.3
---------------	-----

NOTE: R&I/R&R Does Not include drain and refill.



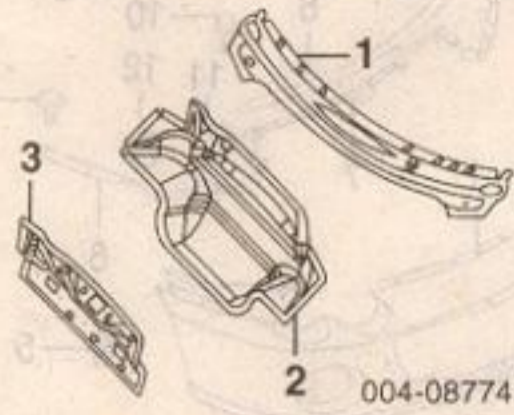
1 Cap Assy, Filler			
Locking	96-99 82400806		13.00
	00 5015636AA		40.00
Non-Locking	96 5278115AA		2.95
	97 4682674		14.10
	98-99 4682674AB		15.35
	00 5278632AA		6.70
2 Tether, Cap	96-99 4279144		7.00
	00 4682676		11.45
*Included w/Filler Cap Assy			
3 Tube, Filler			
1996-98	5278071AB	#8	88.50
1999			
w/Calif Emission	5278149AB	#8	77.50
w/o Calif Emission	5278467AB	#8	113.00
2000	4879060AA	#8	121.00
4 Tube, Vapor			
1996	4695169	#8	9.85
1997-00 Not Applicable			
5 Hose, Filler			
1996			
w/Calif Emission	4695726	#8	34.25
w/o Calif Emission	4616791	#8	33.45
1997-00 Not Applicable			
#R&R Complete, w/Fuel Tank Removed Deduct .2			
6 Tank, Fuel	96-98 4882181	m 1.6	350.00
	99 5013445AA	m 1.6	584.00
	00 5013445AB	m 1.6	600.00
7 Pump/Sender Assy, Fuel			
1996-98	4897420AB	m #1.1	239.00
1999	4897804AB	m #1.1	225.00
2000	4897804AC	m #1.1	245.00
8 Gauge, Fuel Tank	96-98 4897421AB	m #1.1	76.45
	99-00 4897865AB	m #1.1	60.00
*Included w/Fuel Pump/Sender Assy			
#Included in R&R Fuel Tank			
9 Shield, Fuel Tank	96-99 4616460		21.10
	00 4695993		14.85
10 Strap, Mounting	96-99 R 4616458	#5	13.95
	L 4616459	#5	14.50
	00 R 4616458AB	#5	12.00
	L 4764203	#5	16.10
#R&R Complete, Included in R&R Fuel Tank			

REAR BODY

Use Procedure Explanations 26 and 28 with the following text.

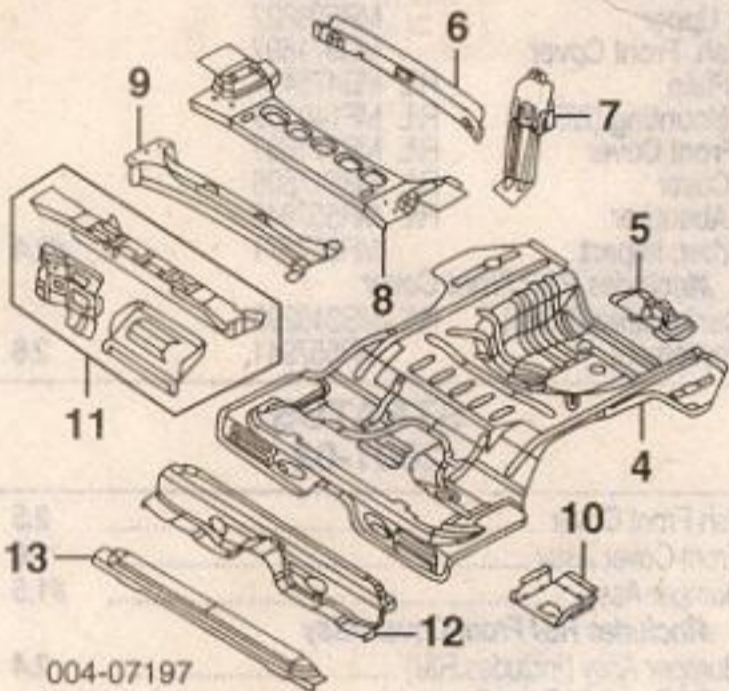
SHEET METAL/EXTERIOR TRIM

Refinish Rear Body Outside.....	1.4
Add for Edge & Inside.....	.8
Refinish Lwr Deck Opng Panel.....	1.0
Refinish Lower Panel Reinforcement.....	.5
Refinish Rear Floor Pan.....	1.5



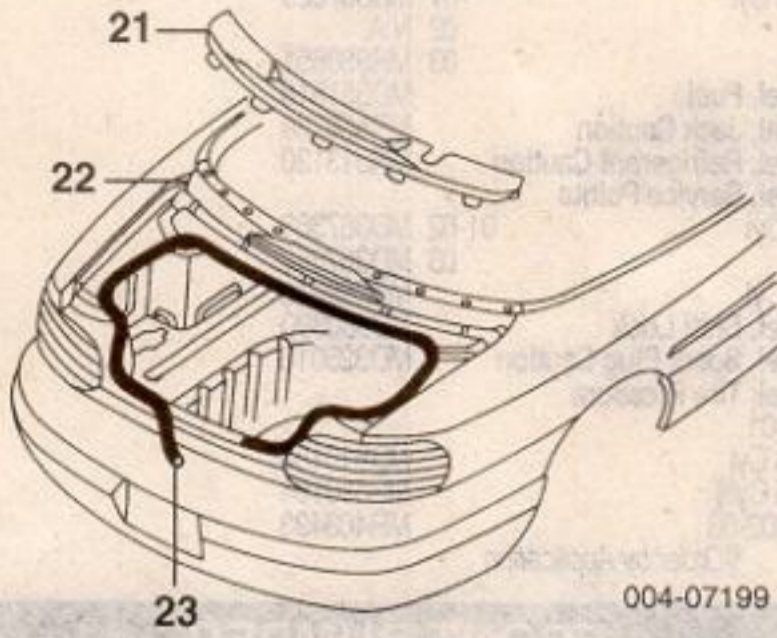
004-08774

1 Panel, Rear Body	4655930	#6.5	45.45
#Deduct 2.2 for Each Quarter Panel Removed, Deduction Includes Common Surfaces & Included Operations			
2 Panel, Lower Deck Opng	4856739	#6.0	222.00
#w/Rear Body Panel Removed			
3 Reinf, Lower Panel	96-99 4655998 00 4655998AB		74.20 59.60



004-07197

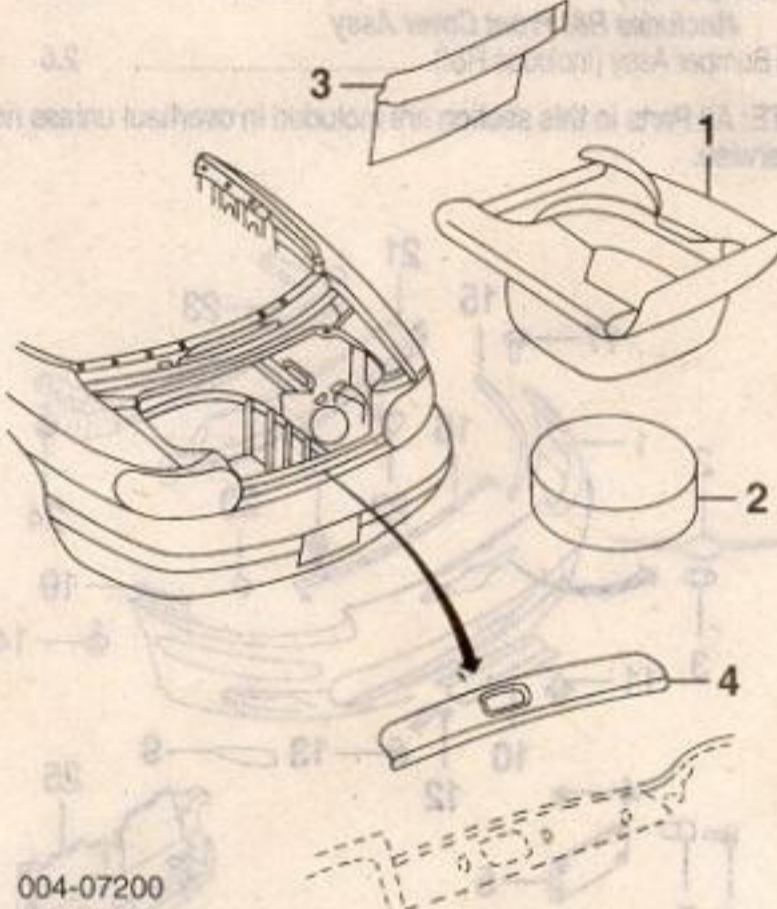
4 Pan, Rear Floor	4646557	#13.0	242.00
#w/Rear Body Panel Removed			
5 Brkt, Spare Wheel	4646121		15.35
6 Support, Rear Seat Back	4655934	2.0	40.75
Shoulder Belt Brace			
7 Support, Crossmember	96 R 4724436 L 4655943	1.5	47.35
Inner Wheelhouse			
	97-00 R/L 4724436-7	1.5	47.35
8 Xmbr, Inner Whilse	96-99 4864584AB 00 4864584AB	4.5	143.00
9 Crossmember, Rear Susp-See Rear Suspension Section			
10 Support, Fuel Tank	96-98 4696948 99 4814494 00 4814494AB		11.75 12.35 12.35
11 Support, Shoulder Belt	4856757		400.00
12 Xmbr, Rear Floor Pan			
Front			
	4646116	#8.0	86.60
13 Reinf, Front Xmbr	4646551	#8.0	52.10
#R&R Complete			



004-07199

21 Midg, Upper Trough	5288441	.3	255.00
22 Trough, Upper	4856729	#5.5	315.00
#w/Convertible Top, Interior Trim & Exterior Trim Removed			
23 W/Strip, Deck Lid Opng	96-99 4658540AB 00 4658540AB	2	63.85 63.85

INTERIOR TRIM



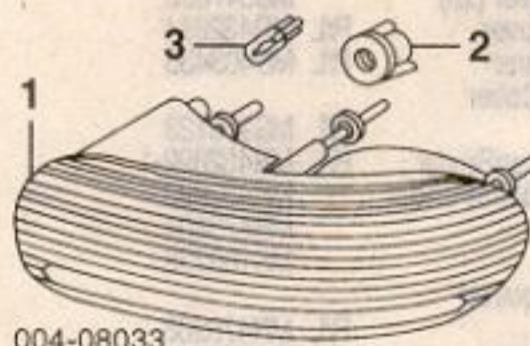
004-07200

1 Carpet, Luggage Compt	QN32HSBAB	.5	242.00
2 Cover, Spare Wheel	96-99 LH39HSBAB 00 LH39HSBAB		35.35 35.35
Support, Spare Wheel	4696566		5.75
3 Trim, Front Compt	96 MF84HSBAB 97-99 MF84HSBAB 00 MF84HSBAC	.3 .3 .3	48.95 48.95 52.10
4 Trim, Rear Compt	JV91SAZ	.2	21.60

REAR LAMPS

COMBINATION LAMP

R&I Combination Lamp.....	R/L	.3	
---------------------------	-----	----	--



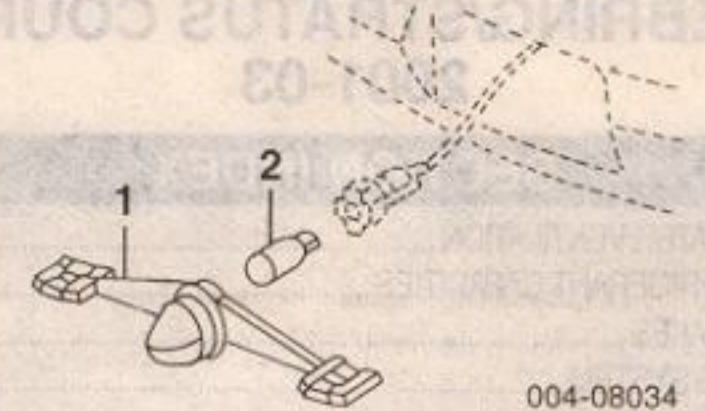
004-08033

1 Lamp, Combination	96-98 R 5016114AA L 5016115AA	.3 .3	229.00 229.00
	99-00 R 5288608AD L 5288609AD	.3 .3	207.00 207.00
2 Nut, Mounting (2/Side)	1996 R/L 4630461 1997-00 R/L 6502589		2.35 1.85
Socket, Stop/Signal	R/L 4450816		9.50
3 Bulb			
Back-Up			
	R/L L0000921	#3	1.95
Signal/Stop/Tail			
	R/L 154851AA	#3	1.53
#R&R One Side Complete, Included in R&R Combination Lamp			

LICENSE LAMP

1 Lamp, License	5303021	#2	12.25
-----------------	---------	----	-------

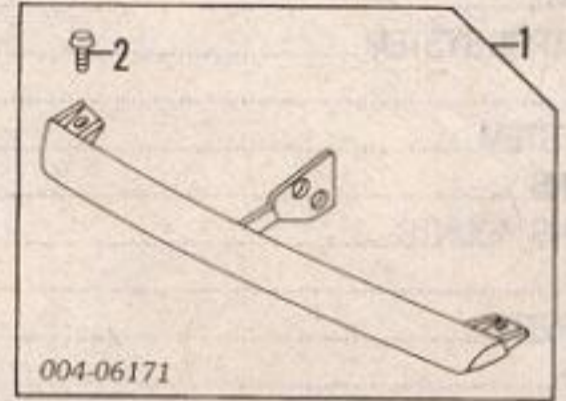
Illustration Located in Next Column



004-08034

2 Bulb, License Lamp	L0000168	#2	.65
#R&R Complete, Included in R&R Rear Cover			

HIGH MOUNT STOP LAMP



004-06171

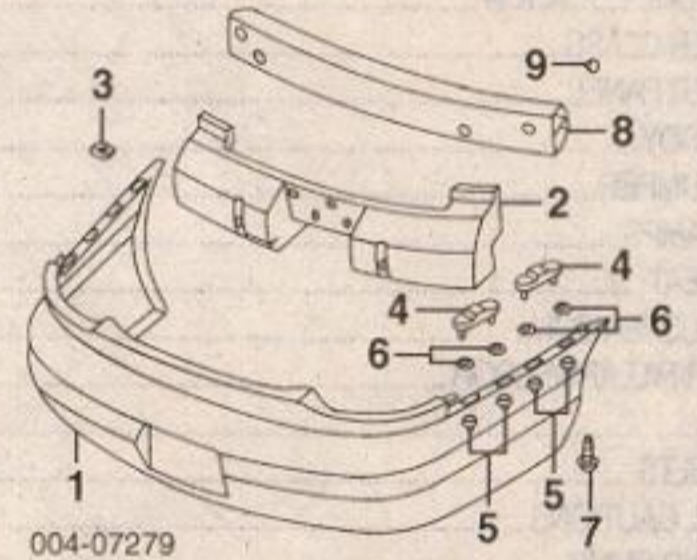
1 Lamp Assy, Stop	5303192	#2	143.00
#Included in R&R Upper Trough Moulding			
2 U-Nut, Mounting (2)	6101308		1.45
#Included w/Stop Lamp Assy			
Bulb	L0000921		1.95

REAR BUMPER

Use Procedure Explanations 27 and 28 with the following text.

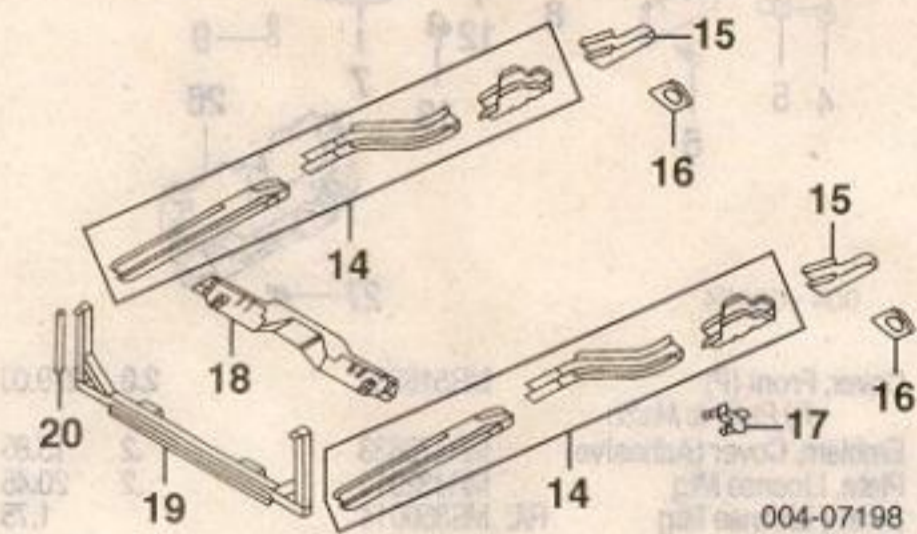
Refinish Rear Cover.....	2.4
R&I Bumper Assy.....	1.0
O/H Bumper Assy (Includes R&I).....	1.2

NOTE: All Parts in this section are included in overhaul unless noted otherwise.



004-07279

1 Cover, Rear (P)	5288541	#1.2	612.00
(P) Paint to Match			
2 Absorber, Impact	5288008AB	#1.2	70.75
#R&R Complete			
Nameplate			
"Limited"			
	5288784AA	.2	31.75
"Sebring JX"			
	5288434	.2	29.95
"Sebring"			
	5288783AA	.2	25.20
"Sebring JXi"			
Chrome	5288435	.2	30.45
Gold	5288782AA	.2	37.35
3 U-Nut, Mounting			
(2/Side)			
	R/L 6504118		1.70
4 Retainer, Cover			
(2/Side)			
	R/L 5288001		4.25
5 Nut, Cover/Qtr Panel			
(4/Side)			
	R/L 6100048		2.35
6 Nut, Spring (2/Side)	R/L 6100840		1.70
7 Bolt, Cover/Qtr Panel (1)	R/L 6100558		1.25
#As Required			
8 Bar, Reinforcement	5288004	#2	139.00
#w/Bumper Assy Removed			
9 Nut, Reinf Mounting			
(2/Side)			
	R/L 6101446		2.10



004-07198

14 Rail, Rear Side	R/L 4696380-1	s #9.5	149.00
#w/Floor Pan Removed Deduct 3.5			
15 Ext, Rear Bumper Mtg	R 4783130 L 4783131	s #2.5 s #2.5	69.10 77.60
#w/Lower Deck Opening Panel Removed			
16 Brkt, Vehicle Recovery	R 4783008		31.10
17 Brkt, Rear Rail			
Muffler Support			
	L 5256900		13.60
Reinf, Rear Floor Pan			
18 Seat Belt Anchor	4814121		87.50
19 Rear Seat	96-99 4655973 00 4655973AB		220.00 162.00
20 Brkt, Reinf/Qtr Inner	96-99 R/L 4655994 00 R/L 4655994AB		6.10 6.10

**SEBRING/STRATUS COUPE
2001-03**

SECTION INDEX

A/C HEATER/VENTILATION..... 133
 A/C REFRIGERANT CAPACITIES..... 133
 ABS/BRAKES..... 135
 AIR BAG SYSTEM..... 135
 AIR CLEANER..... 138
 BACK WINDOW..... 147
 CENTER CONSOLE..... 141
 CLEAR COAT IDENTIFICATION..... 130
 COOLING..... 132
 COWL & DASH..... 141
 CRUISE CONTROL SYSTEM..... 135
 ELECTRICAL..... 139
 EMISSION SYSTEM..... 139
 ENGINE/TRANS..... 138
 ENGINE/TRANS MOUNTS..... 138
 EXHAUST..... 139
 FRONT BUMPER..... 130
 FRONT DOOR..... 144
 FRONT DRIVE AXLE..... 136
 FRONT FENDER..... 133
 FRONT INNER STRUCTURE..... 134
 FRONT LAMPS..... 131
 FRONT SEAT..... 142
 FRONT STEERING LINKAGE/GEAR..... 136
 FRONT SUSPENSION..... 136
 FUEL TANK..... 149
 GRILLE..... 131
 HOOD..... 131
 INFORMATION LABELS..... 130
 INSTRUMENT PANEL..... 141
 LUGGAGE LID..... 148
 PAINT CODE LOCATION..... 130
 QUARTER GLASS..... 148
 QUARTER PANEL..... 147
 REAR BODY..... 149
 REAR BUMPER..... 151
 REAR LAMPS..... 150
 REAR SEAT..... 144
 REAR SUSPENSION..... 148
 ROCKER/PILLARS/FLOOR..... 142
 ROOF..... 146
 SEAT BELTS..... 144
 SPECIAL CAUTIONS..... 130
 STEERING PUMP..... 137
 STEERING WHEEL/COLUMN..... 137
 SUNROOF..... 146
 TRANS OIL COOLER..... 133
 UNDERHOOD DIMENSIONS..... 134
 WHEEL..... 135
 WINDSHIELD..... 140

SPECIAL CAUTIONS

AIR BAGS

Refer to Procedure Explanation 29 for Supplemental Restraint/Air Bag Special Cautions.

PAINT CODE LOCATION

Paint code located on right side of dash panel.

CLEAR COAT IDENTIFICATION

All colors are clear coat. White (Code W69) is three stage.

INFORMATION LABELS

Label, Air Bag Warning	01 MB682048	1.95
	02-03 MB891604	4.10
Label, Emission		
Sebring		
4 Cyl	01 MR560184	3.35
	02 MR561192	1.25
	03 MR988047	3.70
6 Cyl	01 MR514451	3.35
	02 N.A.	0.00
	03 MR988651	3.70
Stratus		
4 Cyl	01 MR507888	3.35
	02 MR561192	1.25

6 Cyl	03 MR988047	3.70
	01 MR507829	3.10
	02 N.A.	0.00
Label, Fuel	03 MR988651	3.70
Label, Jack Caution	MD351518	2.20
Label, Refrigerant Caution	MR369739	1.45
Label, Service Points	MR513120	.50
4 Cyl	01-02 MD367368	4.45
	03 MD367368	4.45
6 Cyl	MD359240	4.45
Label, Shift Lock	MB580890	1.45
Label, Spark Plug Caution	MD325016	2.00
Label, Tire Pressure		
2001		
4 Cyl	MR510183	3.50
6 Cyl	MR510184	3.00
2002-03	MR403493	3.50

†Order by Application

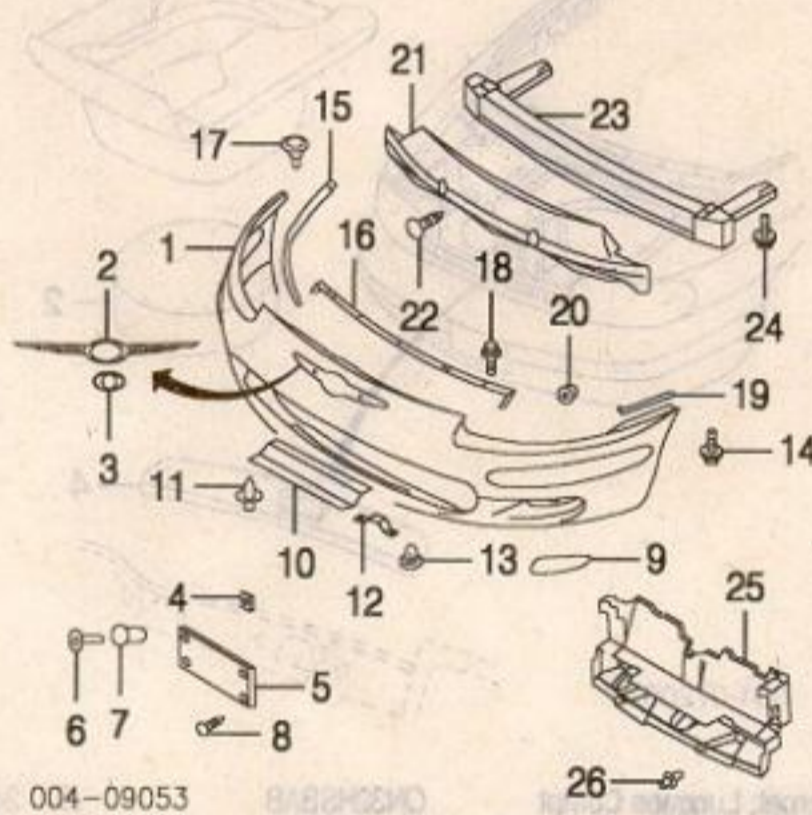
FRONT BUMPER

Use Procedure Explanations 1 and 28 with the following text.

**SEBRING
2001-02**

Refinish Front Cover.....	2.5
R&I Outer Access Hole Cover.....	R/L .1
R&I Front Cover Assy.....	1.0
R&I Bumper Assy.....	#1.5
#Includes R&I Front Cover Assy	
O/H Bumper Assy (Includes R&I).....	2.6

NOTE: All Parts in this section are included in overhaul unless noted otherwise.

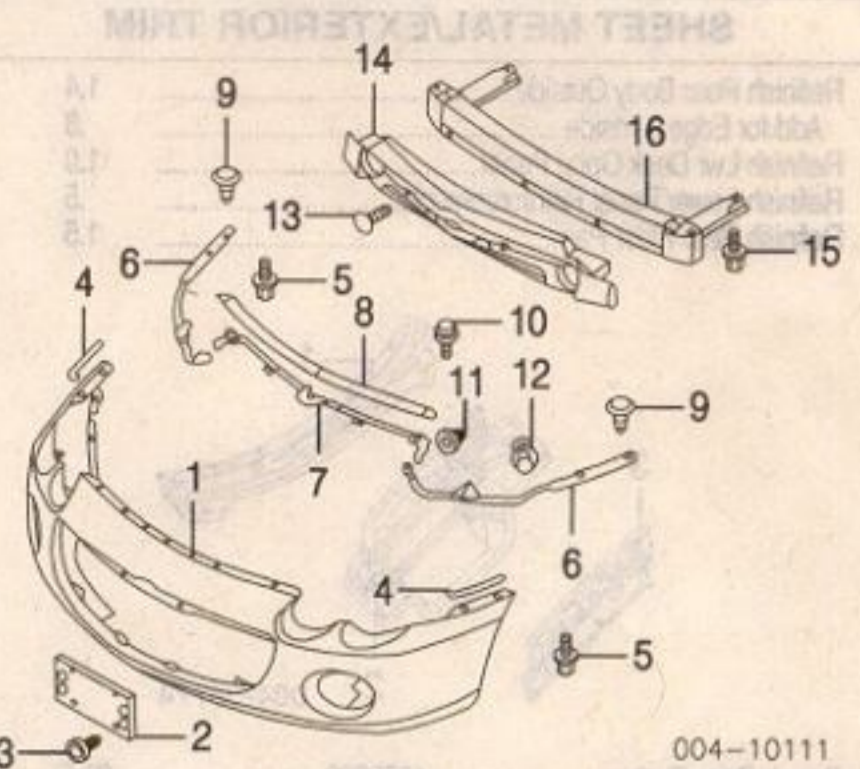


1 Cover, Front (P)	MR516340	2.2	279.00
<i>(P) Paint to Match</i>			
2 Emblem, Cover (Adhesive)	MR478622	#2	21.25
3 Medallion, Emblem (Adhesive)	MR478623	#2	7.75
#R&R Complete			
4 Nut, Mounting (3)	MB325619	2	1.70
5 Plate, License Mtg	MR432896	.2	20.45
6 Screw, License Mtg	R/L MS350014		1.75
7 Nut, Front Cover			
(2/Side)	R/L MU435004		.85
8 Screw, Mtg (3)	MS450925		1.10
9 Cover, Outer Access Hole	R/L MR463927-8	.1	2.45
10 Cover, Inner Access Hole	MR511999		3.35
11 Clip, Front Cover (20)	MB547806		2.10
12 Plate, Front Cover	R/L MR432894		6.45
13 Clip, Front Cover	R/L MB403435		3.20
14 Screw, Front Cover			
(2/Side)	R/L MS240123		1.45
15 Plate, Outer Cover/Fender	R/L MR432892-1		15.70
16 Plate, Inner Cover/Fender	MR432893		6.60
17 Clip, Plate (4)	MB475404		1.95
18 Bolt, Plate†	MS100238		1.85
<i>†As Required</i>			
19 Pad, Cover	R/L MR478208		.25
20 Nut, Front Cover	R/L MS440502		1.35
21 Absorber, Impact	MR462385	#2.4	47.75
#Includes R&R Front Cover			
22 Bolt, Absorber	R/L MR557942		.35
23 Reinforcement	MR557941	2.6	199.00
24 Bolt, Reinforcement	R/L MU240156		2.10
25 Deflector, Air	MR447490	#2	22.70
#w/Front Cover Removed			
26 Clip, Deflector	MR328954		1.35

**SEBRING
2003**

Refinish Front Cover.....	2.5
R&I Front Cover Assy.....	1.0
R&I Bumper Assy.....	#1.5
#Includes R&I Front Cover Assy	
O/H Bumper Assy (Includes R&I).....	2.6

NOTE: All Parts in this section are included in overhaul unless noted otherwise.

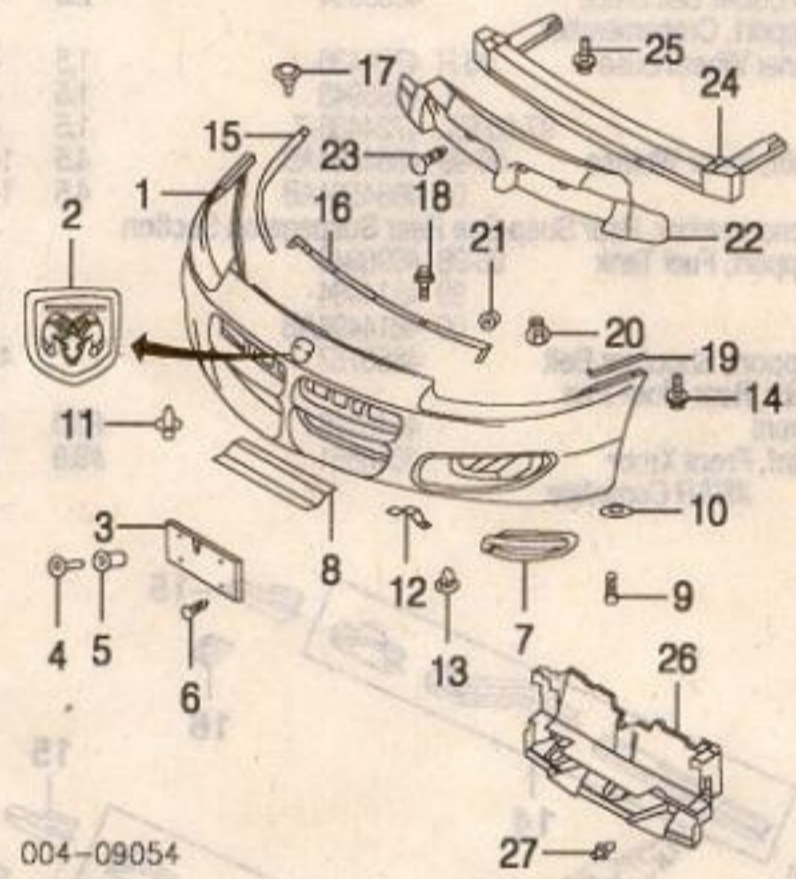


1 Cover, Front (P)	MR990728	2.2	184.00
<i>(P) Paint to Match</i>			
2 Plate, License Mtg	MR971033	.2	11.35
3 Screw, Mtg (2/Side)	R/L MS350017		0.00
4 Pad, Cover	R/L MR478208		.25
5 Screw, Front Cover (2/Side)	R/L MS240123		1.45
6 Plate, Front Cover	R/L MR598826-5		10.25
7 Plate, Upper	MR598822		6.10
8 Garnish, Front Cover	MR971697		6.25
9 Clip, Plate	R/L MB475404		1.95
10 Bolt, Mounting (2/Side)	R/L MF140005		.70
11 Nut, Front Cover	R/L MR971697		6.25
12 Clip, Cover	R/L MB547806		2.10
13 Bolt, Absorber	R/L MR557942		.35
14 Absorber, Impact	MR957871	#2.4	40.75
#Includes R&R Front Cover			
15 Bolt, Reinforcement (2/Side)	R/L MS240295		1.75
16 Reinforcement	MR557941	2.6	199.00

**STRATUS
2001-02**

Refinish Front Cover.....	2.5
R&I Front Cover Assy.....	1.0
R&I Bumper Assy.....	#1.5
#Includes R&I Front Cover Assy	
O/H Bumper Assy (Includes R&I).....	2.4
Add to R&R or O/H Front Bumper	
w/Fog Lamps.....	.2

NOTE: All Parts in this section are included in overhaul unless noted otherwise.



1 Cover, Front (P)	MR516339	2.0	279.00
<i>(P) Paint to Match</i>			
2 Emblem, Cover (Adhesive)	MR478633	.2	13.85
3 Plate, License Mtg	MR432910	.2	20.45
4 Screw, License Mtg	R/L MS350014		1.75
5 Nut, Mounting			
(3/Side)	R/L MU435004		.85
6 Screw, Mtg (3)	MS450925		1.10
7 Cover, Outer Access Hole	R/L MR416029-30	.1	4.10
8 Cover, Inner Access Hole	MR511999		3.35
9 Clip, Front Cover (4)	MU000241		.35
10 Nut, Clip (4)	MU440019		.85
11 Clip, Front Cover	R/L MB547806		2.10
12 Plate, Front Cover	R/L MR432911		6.45
13 Clip, Cover Plate	R/L MB403435		3.20
14 Screw, Front Cover			
(2/Side)	R/L MS240123		1.45
15 Plate, Outer Cover/Fender	R/L MR432891-2		15.70
16 Plate, Inner Cover/Fender	MR432893		6.60
17 Clip, Reinf Plate (4)	MB475404		1.95
18 Bolt, Plate (3)	MU140009		1.95
19 Pad, Cover	R/L MR478208		.25
20 Clip, Front Cover	R/L MB547806		2.10
21 Nut, Front Cover	R/L MS440502		1.35
22 Absorber, Impact	MR462386	#2.2	44.35