

2009 Ford Escape Limited Utility

## SPECIAL CAUTIONS

### AIR BAG

Refer to Procedure Explanation 29 for Supplemental Restraint/Air Bag Special Cautions.

### SUSPENSION

Manufacturer advises that some new fasteners must be used whenever old fasteners are loosened or removed.

2009 Ford Escape Limited Utility

## PAINT CODE LOCATION

Paint code located on left lock pillar.

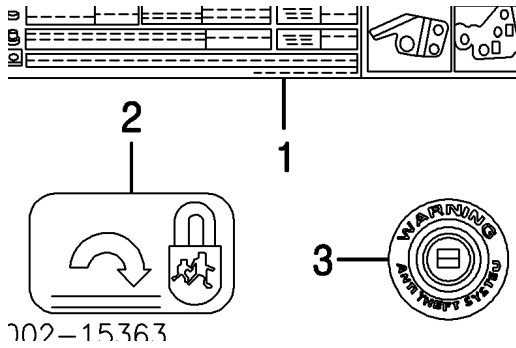
2009 Ford Escape Limited Utility

## CLEAR COAT IDENTIFICATION

All colors are clear coat.

2009 Ford Escape Limited Utility

## INFORMATION LABELS

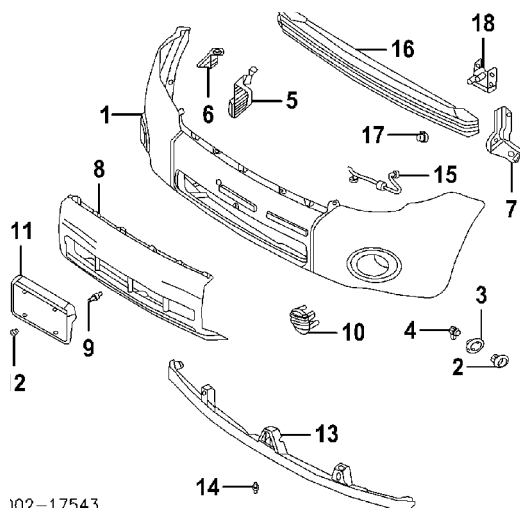


Labels must be special ordered from dealer by vehicle name, serial number and application.

1 Label, Maintenance Information		8L8Z 1503050 A	\$12.50
2 Label, Child Lock	R	1U5Z 297A12 BA	\$7.00
	L	1U5Z 297A12 AA	\$7.00
3 Decal, Theft Warning		XF5Z 10D858 AA	\$21.47

## FRONT BUMPER

Procedures 1 and 28



102-17543

### Refinish Front Bumper Cover

XLS, XLT Model		2.9
Limited Model		
w/Appearance Pkg		2.9
w/o Appearance Pkg		3.2

Refinish Steering Park Assist Sensor R .3

L .3

Refinish Sensor Retainer R .3

L .3

R&I Front Bumper Cover 1.0

O/H Front Bumper Cover Assy (Includes R&I) #2.3

#Includes R&I Grille

### Add to R&R or O/H Front Bumper Cover

XLS, XLT Model		.3
Limited Model		
w/Appearance Pkg		.3
w/Fog Lamps		.3
w/Active Park Assist		.2

NOTE: All Parts in this section are included in O/H unless noted otherwise.

1 Cover, Front Bumper (Thermoplastic) (P)

XLS, XLT Model

#2.3

8L8Z 17D957 CPTM\$475.23

2009 Ford Escape Limited Utility

Limited Model					
	w/Appearance Pkg		#2.3	AL8Z 17D957 BPTM	\$471.13
	w/o Appearance Pkg		#2.3	8L8Z 17D957 CPTM	\$475.23
#Includes R&I Grille Retainer, Sensor					
w/Active Park Assist					
2	Outer (P)	10 R	#	AL8Z 15A862	\$39.82
		L	#	AL8Z 15A862	\$39.82
3	Inner	10 R	#	AL8Z 15A862 B	\$39.82
		L	#	AL8Z 15A862 A	\$39.82
4	Sensor, Steering Park Assist (P)	10 R	#.1	AA5Z 15K859 AA	\$111.85
		L	#.1	AA5Z 15K859 AA	\$111.85
(P) Paint to Match					
#w/Front Bumper Cover Removed, Not Included in O/H					
5 Brkt, Lower Lamp-See Front Lamps Section					
6	Reinf, Side	R	#.1	8L8Z 17E814 A	\$11.72
		L	#.1	8L8Z 17E814 B	\$11.72
#w/Front Bumper Cover Removed					
7 Brace, Front Fender-See Front Inner Structure Section					
8 Moulding, Front Cover					
	w/Appearance Pkg				
	XLT Model	09-10	#.3	9L8Z 8419 AA	\$267.85
	Limited Model		#.3	8L8Z 8419 BA	\$375.90
#w/Front Bumper Cover Removed, Not Included in O/H					
9	Rivet, Attaching (a)¶			* W705297 S300	\$4.25
	¶Non-Reusable Part				
	(a) As Required				
10	Cover, Lamp Hole	R	.1	8L8Z 17E810 A	\$26.05
		L	.1	8L8Z 17E810 A	\$26.05
11	Brkt, License Plate		.2	8L8Z 17A385 AA	\$27.33
12	Screw, Mtg (a)			* W701850 S307	\$3.24
	(a) As Required				
13	Spoiler, Front		.3	9L8Z 17626 A	\$112.47
14	Rivet, Spoiler (a)¶			* N807389 S	\$1.00
	¶Non-Reusable Part				
	(a) As Required				

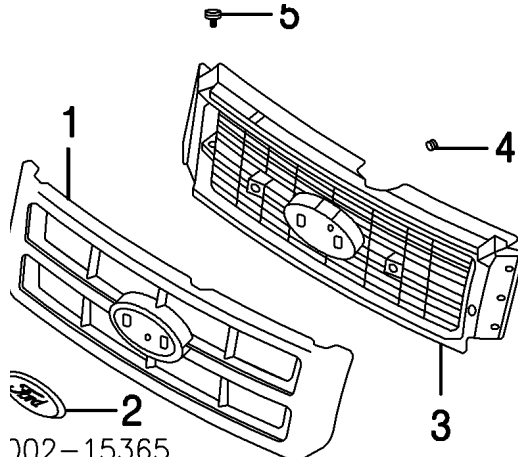
2009 Ford Escape Limited Utility

15	Harness, Park Sensor		10 #	AL8Z 15A871 A	
	#Not Included in O/H				
16	Bar, Bumper		#.5	9L8Z 17757 A	\$71.87
	#w/Front Bumper Cover Removed, Not Included in O/H, Includes R&R Front Air Deflector				
17	Nut, Mounting (2/Side)	R		* W707144 S441	\$1.50
		L		* W707144 S441	\$1.50
18	Brkt, Bumper	08 R	#.2	YL8Z 17B762 AA	\$55.17
		L	#.2	YL8Z 17B762 BA	\$52.72
		09-10 R	#.2	9L8Z 17B762 A	\$16.52
		L	#.2	9L8Z 17B762 B	\$25.00

#w/Bumper Bar Removed, Not Included in O/H

2009 Ford Escape Limited Utility

GRILLE



702-15365

Refinish Grille  
R&I Grille

1.0  
#.2

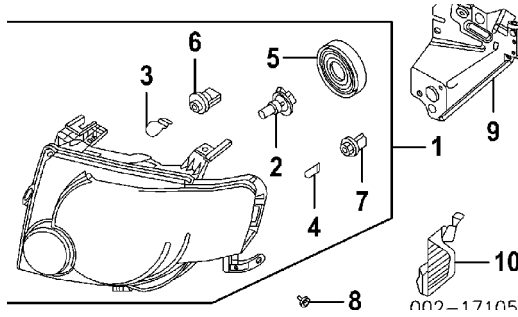
#w/Front Bumper Cover Removed

1 Grille				
XLS Model		#.4	8L8Z 8200 CA	\$195.83
XLT Model				
w/Appearance Pkg	09-10	#.4	N.A.	
w/o Appearance Pkg		#.4	8L8Z 8200 CA	\$195.83
Limited Model				
w/Appearance Pkg		#.4	8L8Z 8200 CA	\$195.83
w/o Appearance Pkg (P)		#.4	8L8Z 8200 APTM	\$120.72
(P) Paint to Match				
2 Emblem, Grille				
	2008	.2	AS4Z 8213 A	\$28.80
	2009			
	To 12-1-08	.2	AS4Z 8213 A	\$28.80
	From 12-2-08	.2	AS4Z 8213 A	\$28.80
	2010	.2	AS4Z 8213 A	\$28.80
3 Reinf, Grille		#.4	8L8Z 8A284 A	\$124.33
#R&R Complete, Includes R&R Emblem, w/Front Bumper Cover Removed				
4 Nut, Emblem (a)			* W707501 S900	\$1.75
5 Bolt, Mounting (a)			* W706600 S900	\$13.00
(a) As Required				



2009 Ford Escape Limited Utility

**FRONT LAMPS**  
**COMBINATION LAMP**



Aim Lamps

R&I Combination Lamp

.4  
R #.4  
L #.4

#w/Front Bumper Cover Removed

NOTE: R&R Does Not include aim lamps.

1 Lamp Assy, Combination					
	2008	R	#.4	8L8Z 13008 A	\$224.18
		L	#.4	8L8Z 13008 B	\$224.18
	2009				
To 12-1-08		R	#.4	8L8Z 13008 A	\$224.18
		L	#.4	8L8Z 13008 B	\$224.18
From 12-1-08					
w/Appearance Pkg		R	#.4	9L8Z 13008 A	\$271.62
		L	#.4	9L8Z 13008 B	\$325.93
w/o Appearance Pkg		R	#.4	8L8Z 13008 A	\$224.18
		L	#.4	8L8Z 13008 B	\$224.18
	2010				
w/Appearance Pkg		R	#.4	9L8Z 13008 A	\$271.62
		L	#.4	9L8Z 13008 B	\$325.93
w/o Appearance Pkg		R	#.4	8L8Z 13008 A	\$224.18
		L	#.4	8L8Z 13008 B	\$224.18
#w/Front Bumper Cover Removed					
2 Bulb, Headlamp		R	#.2	5C3Z 13N021 AA	\$21.20
		L	#.2	5C3Z 13N021 AA	\$21.20
3 Bulb, Park/Signal		R	#.2	6L2Z 13466 AB	\$5.45
		L	#.2	6L2Z 13466 AB	\$5.45
4 Bulb, Side Marker		R	#.2	C2AZ 13466 C	\$0.80
		L	#.2	C2AZ 13466 C	\$0.80

#R&R One Side Complete, Included in R&I/R&R Combination Lamp Assy

2009 Ford Escape Limited Utility

5 Cover, H/Lamp Bulb¶	R		5C3Z 13N019 AA	\$9.00
	L		5C3Z 13N019 AA	\$9.00
6 Socket, Park/Signal¶	R		2U5Z 13411 SA	\$10.67
	L		2U5Z 13411 SA	\$10.67
7 Socket, Side Marker¶	R		F81Z 13411 AA	\$13.98
	L		F81Z 13411 AA	\$13.98

¶Included w/Combination Lamp Assy

8 Screw, Mounting (a)		2008	R	* W707257 S439	\$2.25
			L	* W707257 S439	\$2.25
		2009			
To 12-1-08			R	* W707257 S439	\$2.25
			L	* W707257 S439	\$2.25
From 12-1-08					
w/Appearance Pkg			R	* W703940 S415	\$1.50
			L	* W703940 S415	\$1.50
w/o Appearance Pkg			R	* W707257 S439	\$2.25
			L	* W707257 S439	\$2.25
		2010			
w/Appearance Pkg			R	* W703940 S415	\$1.50
			L	* W703940 S415	\$1.50
w/o Appearance Pkg			R	* W707257 S439	\$2.25
			L	* W707257 S439	\$2.25

(a) As Required

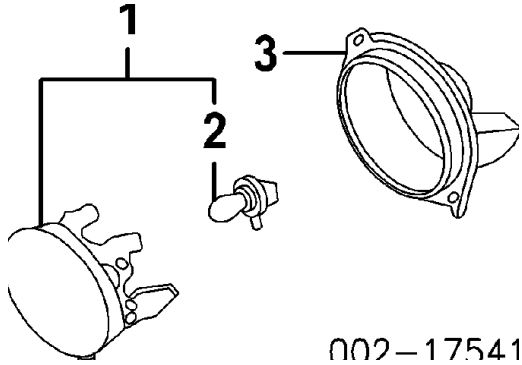
9 Brkt, Upper Lamp-See Front Inner Structure Section					
10 Brkt, Lower Lamp	R	#.2	8L8Z 13A004 A	\$15.58	
	L	#.2	8L8Z 13A005 A	\$15.50	

#w/Combination Lamp Assy Removed

Harness, Front Lamp-See Front Inner Structure Section

FOG LAMP

2009 Ford Escape Limited Utility



002-17541

R&I Fog Lamp

R #.5  
L #.5

#Included in R&R or O/H Front Bumper Cover

1 Lamp Assy, Fog	R	#.5	7R3Z 15200 A	\$104.47
	L	#.5	7R3Z 15200 A	\$104.47

#Included in R&R or O/H Front Bumper Cover

2 Bulb, Fog Lamp¶	R	#.2	8L8Z 13N021 A	\$27.15
	L	#.2	8L8Z 13N021 A	\$27.15

¶Included w/Fog Lamp Assy

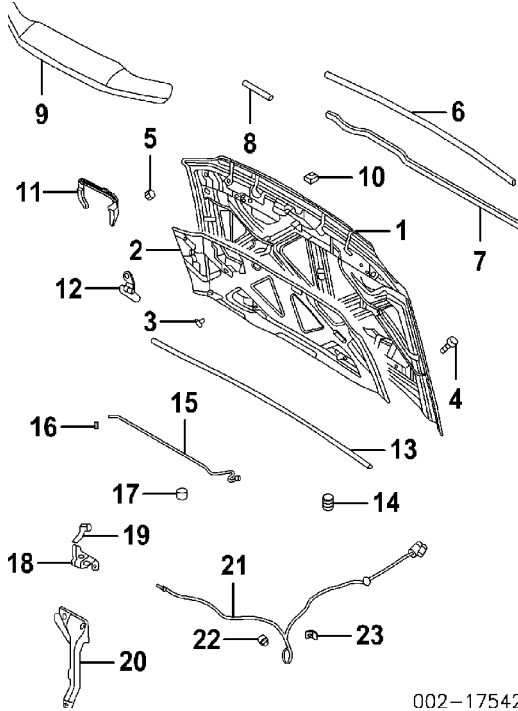
#Included in R&I Fog Lamp Assy

3 Bracket, Fog Lamp	R	#.5	7L8Z 15266 A	\$10.15
	L	#.5	7L8Z 15266 A	\$10.15

#Includes R&R Fog Lamp Assy, Included in R&R or O/H Front Bumper Cover

# HOOD

Procedures 4 and 28



002-17542

Refinish Hood Outside		2.9	
Add for Underside		1.5	
Refinish Hinge	R	.5	
	L	.5	
R&I Hood Assy		.4	
R&I Washer Nozzle	R	#.2	
	L	#.2	
#Included in R&R Hood			
R&I Bug Deflector		#.3	
#Not Included in R&R Hood			
Add to R&R Hood			
w/Insulator		.3	
1 Panel, Hood		1.4	8L8Z 16612 A \$598.77
2 Insulator, Hood			
	2008		
2.3L Eng		.3	9L8Z 16738 A \$60.27
2009-10		.3	9L8Z 16738 A \$60.27
3 Clip, Insulator (8)			
	2008		
2.3L Eng			* W705002 S300 \$5.06
2009-10			* W705002 S300 \$5.06

2009 Ford Escape Limited Utility

4 Nozzle, Washer-See Windshield Section

5 Bumper, Inner Hood

2008	R	.1	* W705837 S300	\$2.50
	L	.1	* W705837 S300	\$2.50
2009				
To 11-30-08	R	.1	* W705837 S300	\$2.50
	L	.1	* W705837 S300	\$2.50
From 12-1-08	R	.1	F3XY 1244482 A	\$4.88
	L	.1	F3XY 1244482 A	\$4.88
2010	R	.1	F3XY 1244482 A	\$4.88
	L	.1	F3XY 1244482 A	\$4.88

Weatherstrip, Front Hood

6 No. 1		.1	8L8Z 16B990 A	\$41.40
7 No. 2				
2008		.1	8L8Z 16A238 B	\$19.00
2009-10				
2.5L Eng		.1	8L8Z 16A238 B	\$19.00
3.0L Eng		.1	9L8Z 16A238 A	\$13.77

8 Weatherstrip, Support (On Hood)

2008		.1	8L8Z 16A238 C	\$20.22
2009-10				
2.5L Eng		.1	8L8Z 16A238 C	\$20.22
3.0L Eng		.1	9L8Z 16A238 C	\$8.77

9 Deflector, Bug

Dealer Installed

.3 8L8Z 16C900 A \$78.57

10 Striker, Hood

.2 9L8Z 16K689 A \$38.18

11 Deflector, Air

9L8Z 16E622 A \$29.70

12 Hinge, Hood

R #.2 8L8Z 16796 A \$17.15

L #.2 8L8Z 16797 A \$17.52

#w/Hood & Cowl Grille Removed

13 Weatherstrip, Rear Hood (On Hood) .1 8L8Z 7802254 B \$25.32

14 Bumper, Outer Hood

R .1 \* W705893 S300 \$3.00

L .1 \* W705893 S300 \$3.00

15 Rod, Hood Support

.2 8L8Z 16826 A \$11.17

16 Retainer, Rod

F7UZ 16828 CA \$8.00

17 Clip, Rod

5L8Z 16828 AA \$8.00

18 Latch, Hood

#.3 8L8Z 16700 A \$31.22

19 Lever, Latch

#.3 8L8Z 16A770 A \$15.87

#R&R Complete

2009 Ford Escape Limited Utility

20 Bracket, Hood Latch-See Front Inner Structure Section

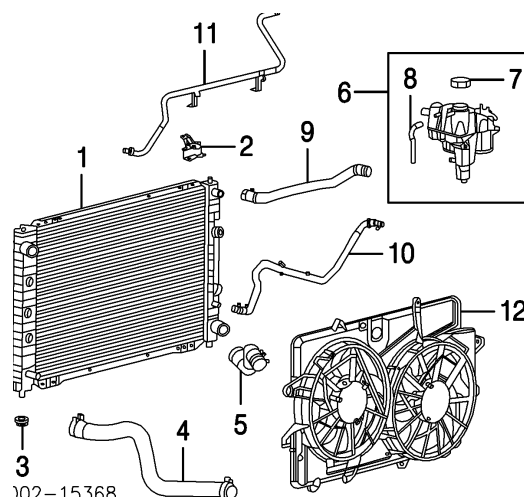
21	Cable, Hood Release Clip, Cable (a)	.7 8L8Z 16916 A	\$27.00
22	Type 1	* 386132 S	\$0.80
23	Type 2 (a) As Required	* W710094 S300	\$2.75

## COOLING

Procedures 5 and 28

2.3L ENG

2008



R&I Radiator

#1.3

#w/Front Bumper & Bolted Assemblies Removed, Includes R&R Cooling Fan & Shroud

1 Radiator	#1.3	9L8Z 8005 A	\$256.06
------------	------	-------------	----------

#w/Front Bumper & Bolted Assemblies Removed, Includes R&R Cooling Fan & Shroud

2 Bracket, Upper Radiator-See Front Inner Structure Section

3 Insulator, Lower Rad	R	8L8Z 8125 B	\$6.67
	L	8L8Z 8125 B	\$6.67
4 Hose, Upper Rad	#.9	5L8Z 8260 AC	\$32.91
5 Hose, Lower Rad	#1.1	8L8Z 8286 A	\$22.42
#R&R Both 1.5			

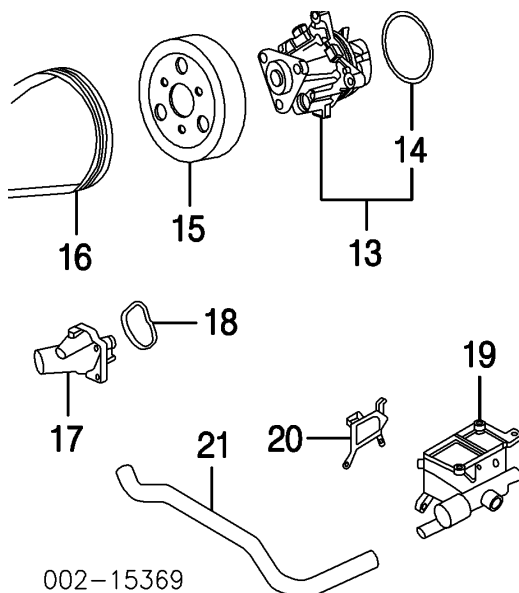
6 Reservoir Assy, Coolant	.5	5L8Z 8A080 AA	\$69.50
7 Cap, Reservoir		YL8Z 8100 AA	\$23.78
8 Hose, Reservoir Overflow		YL8Z 8B081 AC	\$24.91

¶ Included w/Coolant Reservoir Assy

9 Hose, Inlet Overflow	#.3	5L8Z 8075 AA	\$33.87
10 Hose, Outlet Overflow	#.3	5L8Z 8C633 AD	\$24.91
#R&R Complete			
11 Hose, Overflow		5L8Z 8075 CD	\$36.97
12 Fan, Cooling	#.7	8L8Z 8C607 A	\$341.13

#w/Front Bumper & Bolted Assemblies Removed, Included in R&R Radiator

2009 Ford Escape Limited Utility

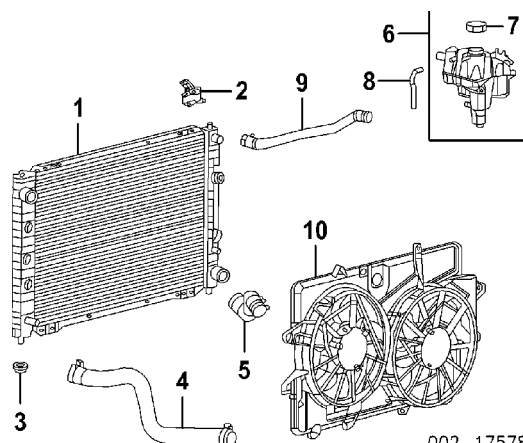


002-15369			
13 Pump Assy, Water	#1.6	4S4Z 8501 AA	\$89.98
#Includes R&R Pulley			
14 Gskt, Water Pump (a)		1S7Z 8507 AE	\$9.20
(a) Included w/Water Pump Assy			
15 Pulley, Water Pump	#.9	5M6Z 8509 AE	\$10.02
#Includes R&R Drive Belt			
16 Belt, Drive			
w/ A/C	.6	8L8Z 8620 B	\$63.27
w/o A/C	.6	N.A.	
17 Thermostat/Housing	1.8	4L5Z 8575 B	\$41.42
18 Gskt, Thermostat		1S7Z 8255 BC	\$8.28
19 Adapter, Outlet		6S4Z 8K556 A	\$40.32
20 Gskt, Outlet		1S7G 8255 BD	\$8.28
21 Hose, By-Pass		6E5Z 8597 A	\$20.13

2.5L ENG  
2009-10



2009 Ford Escape Limited Utility



R&I Radiator

#1.3

#w/Front Bumper & Bolted Assemblies Removed, Includes R&R Cooling Fan & Shroud

1 Radiator	#1.3	9L8Z 8005 A	\$256.06
------------	------	-------------	----------

#w/Front Bumper & Bolted Assemblies Removed, Includes R&R Cooling Fan & Shroud

2 Bracket, Upper Radiator-See Front Inner Structure Section

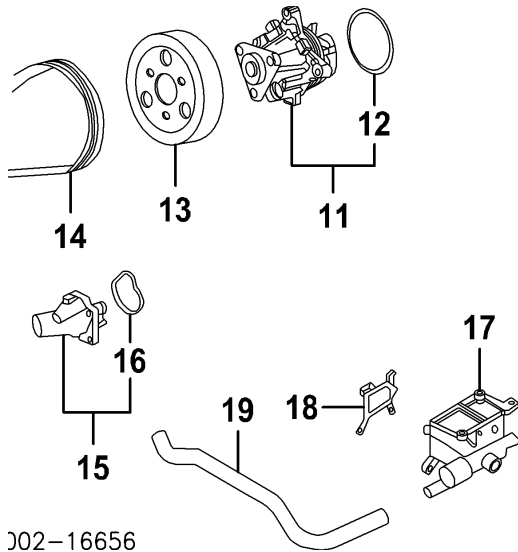
3 Insulator, Lower Rad	R	8L8Z 8125 B	\$6.67
	L	8L8Z 8125 B	\$6.67
4 Hose, Upper Rad		#.9 8L8Z 8260 B	\$37.42
5 Hose, Lower Rad		#1.1 9L8Z 8286 A	\$24.18
#R&R Both 1.5			
6 Reservoir Assy, Coolant		.5 YL8Z 8A080 AE	\$70.97
7 Cap, Reservoir (b)		YL8Z 8100 AA	\$23.78

(b) Included w/Coolant Reservoir Assy

8 Hose, Reservoir Overflow		YL8Z 8B081 AC	\$24.91
9 Hose, Inlet Overflow		.3 8L8Z 8075 A	\$20.33
10 Fan, Cooling		#.7 8L8Z 8C607 A	\$341.13

#w/Front Bumper & Bolted Assemblies Removed, Included in R&R Radiator

2009 Ford Escape Limited Utility

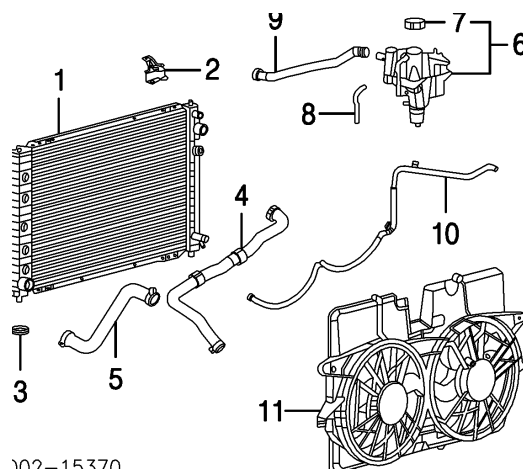


J02-16656			
11 Pump Assy, Water	#1.6	4S4Z 8501 AA	\$89.98
#Includes R&R Pulley			
12 Gskt, Water Pump (a)		1S7Z 8507 AE	\$9.20
(a) Included w/Water Pump Assy			
13 Pulley, Water Pump	#.9	5M6Z 8509 AE	\$10.02
#Includes R&R Drive Belt			
14 Belt, Drive	.6	9L8Z 8620 B	\$54.27
15 Thermostat Assy	1.8	3M4Z 8575 B	\$62.14
16 Gskt, Thermostat¶		1S7Z 8255 BC	\$8.28
¶Included w/Thermostat Assy			
17 Adapter, Outlet		3M6Z 8K556 BA	\$128.65
18 Gskt, Outlet			
No. 1		1S7G 8255 BD	\$8.28
No. 2		9L8Z 8C387 B	\$6.58
19 Hose, By-Pass		9E5Z 8597 A	\$24.24

3.0L ENG

2008

2009 Ford Escape Limited Utility



102-15370

R&I Radiator

#1.3

#w/Front Bumper & Bolted Assemblies Removed, Includes R&R Cooling Fan & Shroud

1 Radiator	#1.3	8L8Z 8005 B	\$231.55
------------	------	-------------	----------

#w/Front Bumper & Bolted Assemblies Removed, Includes R&R Cooling Fan & Shroud

2 Bracket, Upper Radiator-See Front Inner Structure Section

3 Insulator, Lower Rad	R	8L8Z 8125 B	\$6.67
	L	8L8Z 8125 B	\$6.67

4 Hose, Upper Rad	#.9	8L8Z 8260 A	\$41.53
-------------------	-----	-------------	---------

5 Hose, Lower Rad	#1.3	8L8Z 8286 B	\$25.91
-------------------	------	-------------	---------

#R&R Both 1.7

6 Reservoir Assy, Coolant	.5	YL8Z 8A080 AE	\$70.97
---------------------------	----	---------------	---------

7 Cap, Reservoir		YL8Z 8100 AA	\$23.78
------------------	--	--------------	---------

¶Included w/Coolant Reservoir Assy

8 Hose, Reservoir Overflow		YL8Z 8B081 AC	\$24.91
----------------------------	--	---------------	---------

9 Hose, Inlet Overflow	#.3	8L8Z 8075 A	\$20.33
------------------------	-----	-------------	---------

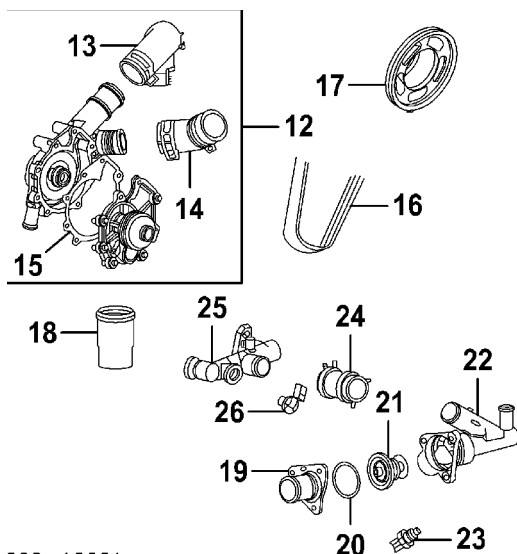
10 Hose, Outlet Overflow	#.3	8L8Z 8C633 B	\$54.31
--------------------------	-----	--------------	---------

#R&R Complete

11 Fan, Cooling	#.7	8L8Z 8C607 B	\$341.13
-----------------	-----	--------------	----------

#w/Front Bumper & Bolted Assemblies Removed, Included in R&R Radiator

2009 Ford Escape Limited Utility

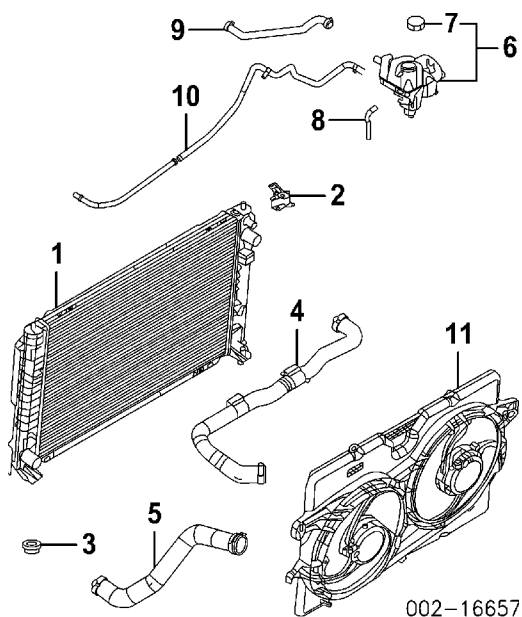


002-16661

12 Pump Assy, Water Hose, Water Pump (a)	2.0	5M8Z 8501 B	\$175.98
13 Upper		6E5Z 8A577 A	\$38.36
14 Lower		2S7Z 8A567 AD	\$19.73
15 Gskt, Water Pump (a)		2X4Z 8507 BA	\$13.00
(a) Included w/Water Pump Assy			
16 Belt, Water Pump	.5	6E5Z 8620 CA	\$28.76
17 Pulley, Pump Drive	1.2	3M4Z 6A312 A	\$26.90
18 Hose, Lower By-Pass		2S7Z 8A505 AA	\$15.00
19 Cover, Thermostat		YL8Z 8K528 AE	\$22.02
20 Gskt, Thermostat		F1VY 8255 A	\$8.62
21 Thermostat	#.9	1X4Z 8575 EB	\$25.88
22 Housing, Thermostat #R&R Complete	#.9	2M2Z 8592 CD	\$82.94
23 Sender, Temperature	.4	F68Z 10884 AA	\$32.31
24 Hose, Housing		YL8Z 8A520 AB	\$18.98
25 Manifold, Water #Includes R&R Thermostat	#1.8	3F1Z 8548 AC	\$105.91
26 Sensor, Temperature	.5	3L8Z 12A648 AA	\$62.69

3.0L ENG  
2009-10

2009 Ford Escape Limited Utility



002-16657

**R&I Radiator**

#1.3

#w/Front Bumper & Bolted Assemblies Removed, Includes R&R Cooling Fan & Shroud

1 Radiator	#1.3	8L8Z 8005 B	\$231.55
------------	------	-------------	----------

#w/Front Bumper & Bolted Assemblies Removed, Includes R&R Cooling Fan & Shroud

2 Bracket, Upper Radiator-See Front Inner Structure Section

3 Insulator, Lower Rad	R	8L8Z 8125 B	\$6.67
------------------------	---	-------------	--------

	L	8L8Z 8125 B	\$6.67
--	---	-------------	--------

4 Hose, Upper Rad	#.9	9L8Z 8260 B	\$56.96
-------------------	-----	-------------	---------

5 Hose, Lower Rad	#1.3	9L8Z 8286 B	\$35.42
-------------------	------	-------------	---------

#R&R Both 1.7

6 Reservoir Assy, Coolant	.5	YL8Z 8A080 AE	\$70.97
---------------------------	----	---------------	---------

7 Cap, Reservoir		YL8Z 8100 AA	\$23.78
------------------	--	--------------	---------

¶Included w/Coolant Reservoir Assy

8 Hose, Reservoir Overflow		YL8Z 8B081 AC	\$24.91
----------------------------	--	---------------	---------

9 Hose, Inlet Overflow	#.3	8L8Z 8075 A	\$20.33
------------------------	-----	-------------	---------

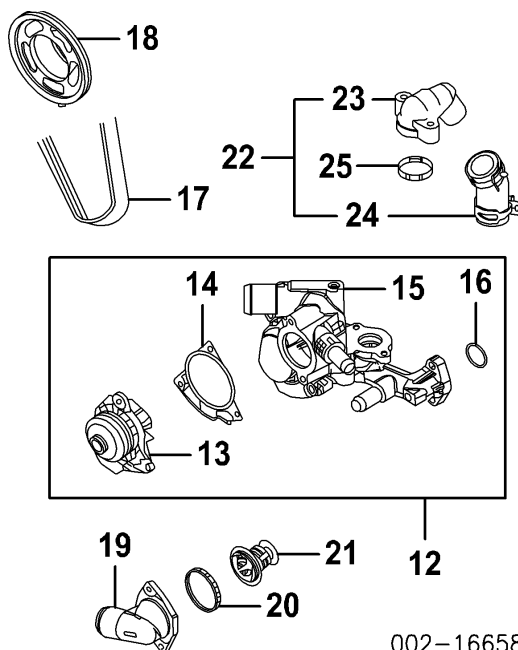
10 Hose, Outlet Overflow	#.3	8L8Z 8C633 B	\$54.31
--------------------------	-----	--------------	---------

#R&R Complete

11 Fan, Cooling	#.7	8L8Z 8C607 B	\$341.13
-----------------	-----	--------------	----------

#w/Front Bumper & Bolted Assemblies Removed, Included in R&R Radiator

2009 Ford Escape Limited Utility



002-1665E

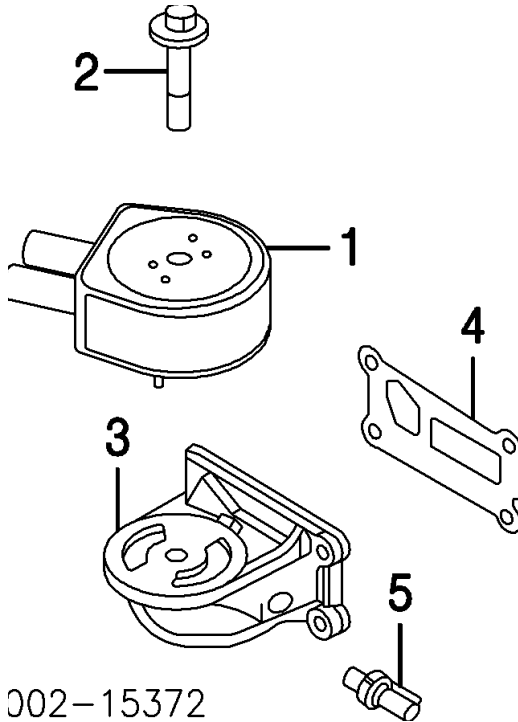
12 Pump Assy, Water	2.4	9L8Z 8501 C	\$345.98
13 Pump, Water (a)	1.5	9L8Z 8501 A	\$149.74
14 Gskt, Water Pump (a)		9L8Z 8507 A	\$5.06
15 Housing, Water Pump (a)-Serviced w/Water Pump Assy			
16 Seal, Housing (a)		9L8Z 8527 A	\$6.78
(a) Included w/Water Pump Assy			
17 Belt, Water Pump	.5	9L8Z 8620 A	\$9.64
18 Pulley, Pump Drive	1.2	3M4Z 6A312 A	\$26.90
19 Cover, Thermostat		9L8Z 8591 A	\$33.32
20 Gskt, Thermostat		9L8Z 8590 A	\$7.10
21 Thermostat	.8	1X4Z 8575 EB	\$25.88
22 Outlet Assy, Water	.8	9L8Z 8A505 A	\$61.98
23 Outlet, Water (b)		9L8Z 8592 A	\$27.50
24 Hose, Outlet (b)		9L8Z 8A577 A	\$36.47
(b) Included w/Water Outlet Assy			
25 Gskt, Outlet		9L8Z 8255 B	\$14.90

2009 Ford Escape Limited Utility

## ENGINE OIL COOLER

2.3L ENG

2008



002-15372

1 Cooler, Eng Oil

2 Bolt, Mounting

3 Adapter, Oil Filter

#Includes R&R Oil Cooler

4 Gskt, Adapter

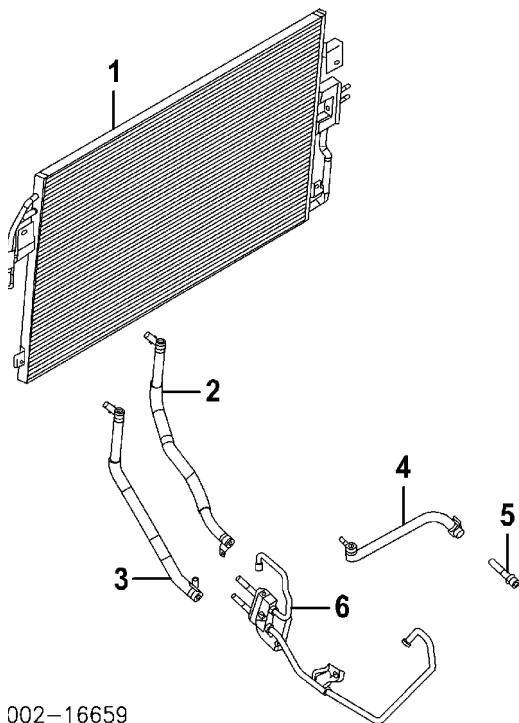
5 Switch, Oil Pressure

1.3	1S7Z 6A642 AAA	\$119.15
	* W706487 S437	\$4.00
#1.6	3S7Z 6881 AA	\$66.76
	1S7Z 6840 AA	\$5.92
.6	1S7Z 9278 AA	\$15.09

2009 Ford Escape Limited Utility

## TRANS OIL COOLER

2008



002-16659

1 Condenser/Trans Cooler-See A/C /Heater/Ventilation Section

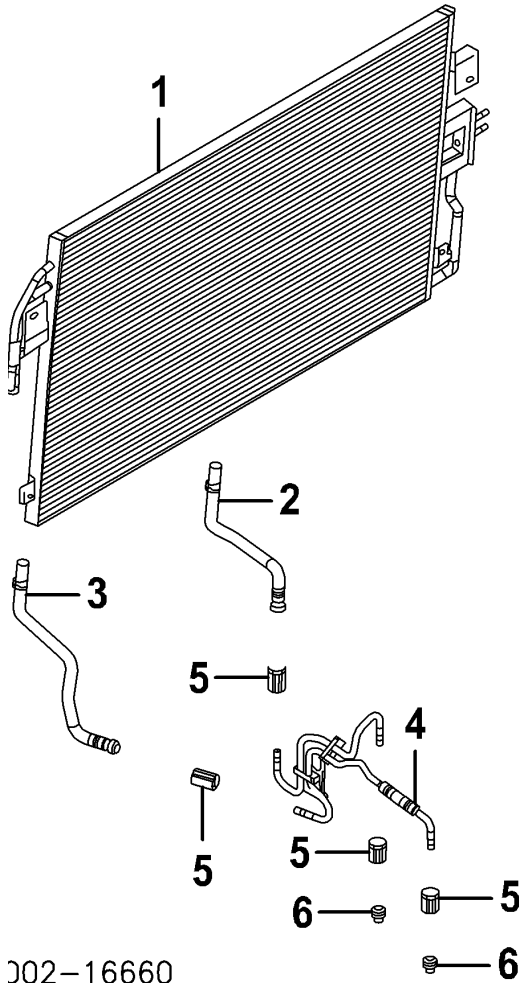
Hose, Trans Cooler

2	No. 1			
	w/Cold Climate Spec	#.7	8L8Z 7890 C	\$80.65
	w/o Cold Climate Spec	#.7	8L8Z 7890 A	\$89.82
3	No. 2			
	w/Cold Climate Spec	#.7	8L8Z 7890 B	\$67.17
	w/o Cold Climate Spec	#.7	8L8Z 7890 C	\$80.65
	#R&R Complete			
4	No. 3			
	w/Cold Climate Spec		6L8Z 7890 A	\$18.22
	Tube, Trans Cooler			
5	No. 1		6L8Z 7A030 A	\$10.98
6	No. 2			
	w/Cold Climate Spec	1.0	8L8Z 7R081 D	\$85.18
	w/o Cold Climate Spec	1.0	8L8Z 7A031 A	\$20.98

2009-10



2009 Ford Escape Limited Utility



002-16660

1 Condenser/Trans Cooler-See A/C /Heater/Ventilation Section

2 Hose, Cooler Inlet

#.7 9L8Z 7A031 A \$128.42

3 Hose, Cooler Outlet

#.7 9L8Z 7A030 A \$125.87

#R&R Complete

4 Tube, Oil Cooler

09 1.0 AL8Z 7R081 A \$36.10

10 1.0 AL8Z 7R081 A \$36.10

5 Clamp, Hose (a)

9L8Z 7Z465 A \$3.92

(a) As Required

6 Connector, Tube (2)

9L8Z 7D273 A \$20.68

2009 Ford Escape Limited Utility

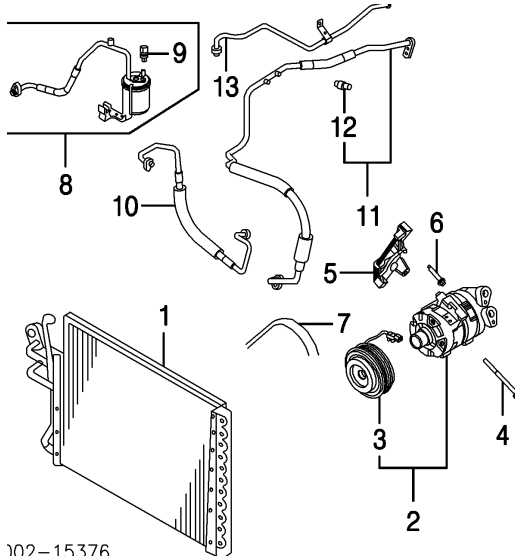
## A/C REFRIGERANT CAPACITIES

A/C R-134a Refrigerant Capacity

25.0 Ozs (1.56 Lbs), 710 g

## A/C HEATER/VENTILATION

### Procedure 6



107-15376

#### R&I Condenser

Man Trans

#.8

Auto Trans

#1.0

#w/Bumper Removed, w/Radiator Removed Deduct

.4

#### Evacuate & Recharge System

1.4

#### Recover Refrigerant

.3

NOTE: R&I/R&R Does Not include recover, evacuate and recharge system.

#### 1 Condenser/Trans Cooler

Man Trans

#.8

8L8Z 19712 G

\$262.40

Auto Trans

08 #1.0

8L8Z 19712 J

\$384.95

09-10 #1.0

9L8Z 19712 A

\$404.04

#w/Bumper Removed, w/Radiator Removed Deduct

.4

#### 2 Compressor Assy

2.3L Eng

08

1.0 8L8Z 19703 B

\$432.08

2.5L Eng

09-10

1.0 8L8Z 19703 B

\$432.08

3.0L Eng

1.3 9L8Z 19703 A

\$506.60

#### 3 Clutch/Pulley, Compressor

2.3L Eng

08 #.4

8L8Z 19D784 B

\$207.40

2.5L Eng

09-10 #.4

8L8Z 19D784 B

\$207.40

3.0L Eng

#.4

9L8Z 19D784 A

\$186.72

2009 Ford Escape Limited Utility

¶ Included w/Compressor Assy			
#w/Compressor Assy Removed			
4 Bolt, Compressor Mtg (3)		* W713281 S439	\$1.50
5 Brkt, Compressor			
3.0L Eng	08	8L8Z 19N586 A	\$42.45
	09-10	9L8Z 19N586 A	\$50.22
6 Bolt, Bracket (3)			
3.0L Eng		* W710379 S437	\$1.75
7 Belt, Drive			
2.3L Eng-See Cooling Section			
2.5L Eng-See Cooling Section			
3.0L Eng	08	.6 8L8Z 8620 D	\$31.98
	09-10	.6 BT4Z 8620 A	\$18.38
8 Receiver/Drier Assy	08 #.5	8L8Z 19C836 C	\$134.98
	09-10 #.5	9L8Z 19C836 A	\$154.24
#w/Bumper Removed			
9 Switch, Pressure (a)	08	.6 8L8Z 19D594 A	\$29.67
	09-10	.6 6F9Z 19D594 AA	\$70.98
(a) Included w/Receiver/Drier Assy			
10 Hose, Compressor/Condenser			
2.3L Eng	08	.7 9L8Z 19972 D	\$89.98
2.5L Eng	09-10	.7 9L8Z 19972 D	\$89.98
3.0L Eng	08	.7 8L8Z 19972 B	\$49.00
	09-10	.7 9L8Z 19972 C	\$69.12
11 Tube Assy, Evaporator			
2.3L Eng	08	.9 8L8Z 19867 C	\$107.10
2.5L Eng			
	2009		
To 12-1-08		.9 9L8Z 19867 A	\$110.82
From 12-2-08		.9 9L8Z 19867 D	\$109.20
	2010		
3.0L Eng	08	.9 8L8Z 19867 B	\$93.32
	09-10	.9 9L8Z 19867 C	\$57.02
12 Switch, Vacuum (b)		.6 YC1Z 19E561 BA	\$13.80
(b) Included w/Evaporator Tube Assy			
13 Tube, Condenser/Evaporator		.8 9L8Z 19835 B	\$46.34



2009 Ford Escape Limited Utility

		10 #.3	AL8Z 19E616 A	\$31.20
21	Sensor, Temp	#.3	XW4Z 19C734 BA	\$16.19
	#w/Instrument Panel Removed			
22	Resistor, Blower Man A/C			
		2008		
	To 5-6-08	.6	3F2Z 18591 AA	\$22.17
	From 5-7-08	.6	8G1Z 19A706 A	\$24.82
	2009-10	.6	8G1Z 19A706 A	\$24.82
	Auto A/C	.6	9L3Z 19E624 B	\$81.85
	Motor, Actuator			
23	No. 1			
	Man A/C	#.3	AL8Z 19E616 F	\$23.78
	Auto A/C, (2)	#.3	AL8Z 19E616 F	\$23.78
24	No. 2	#.3	8L8Z 19E616 C	\$31.42
25	Chamber Assy, Air	#.5	8L8Z 18471 A	\$120.38
	#w/Instrument Panel Removed			
26	Seal, Chamber (e)		8L8Z 19643 A	\$30.75
	(e) Included w/Air Chamber Assy			
27	Valve, Venturi Auto A/C		8L8Z 19E628 AA	\$8.98
28	Sensor, Temp Control Auto A/C	#.3	AL8Z 19C734 A	\$58.46
	#w/Instrument Panel Removed			
29	Harness, Wiring Man A/C			
		2008	8L8Z 19D887 AA	\$58.28
		2009		
	To 8-25-08		8L8Z 19D887 AA	\$58.28
	From 8-26-08		9L8Z 19D887 A	\$46.25
		2010	AL8Z 19D887 A	\$38.40
	Auto A/C			
		2008	8L8Z 19D887 BA	\$54.48
		2009		
	To 8-23-08		8L8Z 19D887 BA	\$54.48
	From 8-24-08		9L8Z 19D887 B	\$37.35
		2010	AL8Z 19D887 B	\$37.40



2009 Ford Escape Limited Utility

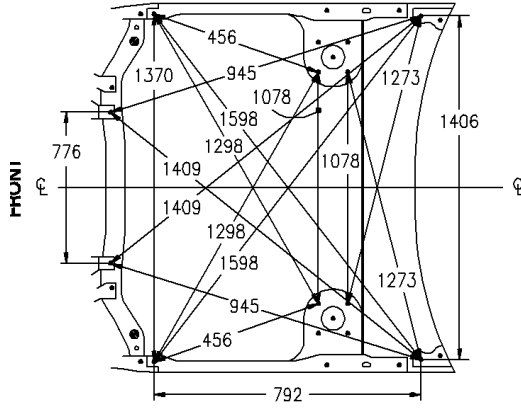
5	Antenna, Radio	R	#1.0	8L8Z 18A984 B	\$22.61
	#Includes R&I/R&R Antenna Mast, Cowl Grille, Fender Liner, w/Right Fender Removed Deduct .7				
6	Cap, Antenna	R	#.2	8L8Z 18922 A	\$5.94
	#Includes R&I/R&R Antenna Mast				
7	Mast, Antenna	R	.1	AL8Z 18813 A	\$27.30
8	Liner, Fender	R	#.5	8L8Z 16102 B	\$66.98
		L	#.5	8L8Z 16103 B	\$65.17
	#Included in R&I/R&R Fender				
9	Clip, Liner (a)	R		* W706713 S300	\$2.00
		L		* W706713 S300	\$2.00
10	Screw, Liner (a)				
	Type 1	R		* W707257 S439	\$2.25
		L		* W707257 S439	\$2.25
	Type 2	R		* W706805 S901	\$1.63
		L		* W706805 S901	\$1.63
	(a) As Required				
11	Nameplate (Adhesive)				
	"V6"	R	.2	7L8Z 7842528 A	\$6.77
		L	.2	7L8Z 7842528 A	\$6.77
12	Shield, Lower Splash-See Front Inner Structure Section				



2009 Ford Escape Limited Utility

## UNDERHOOD DIMENSIONS

061-20069

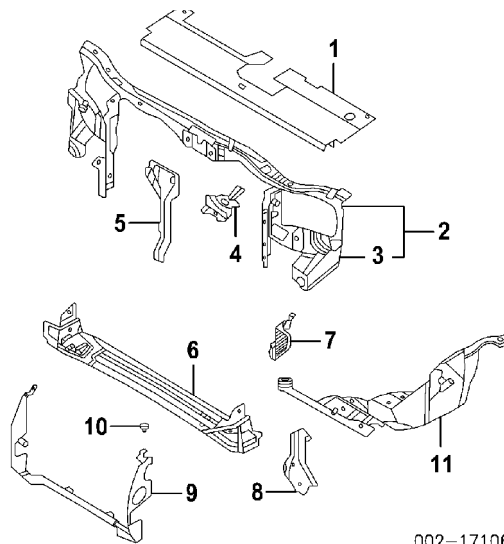


2009 Ford Escape Limited Utility

## FRONT INNER STRUCTURE

Procedures 8 and 28

FRONT



002-1710f

Refinish Radiator Support Complete 1.5

Refinish Headlamp Mounting Bracket R .5

L .5

Refinish Lower Tie Bar .5

Refinish Hood Latch Support .5

R&R Radiator Support Complete #9.0

#Includes R&I/R&R Radiator, Cooling Fan/Motor Assy, Bumper Reinforcement, Horns, Hood Latch, Hood Latch Bracket, Upper Radiator Brackets, Front Fender Braces, Support Rod, Radiator Support Assy, Lower Tie Bar, Lower Splash Shields, Lower Air Deflector, Disconnect & Connect Hood Release Cable & Wiring Harness as Necessary

Add to R&R Radiator Support Complete

To R&I/R&R Base Model Mechanical Components #.6

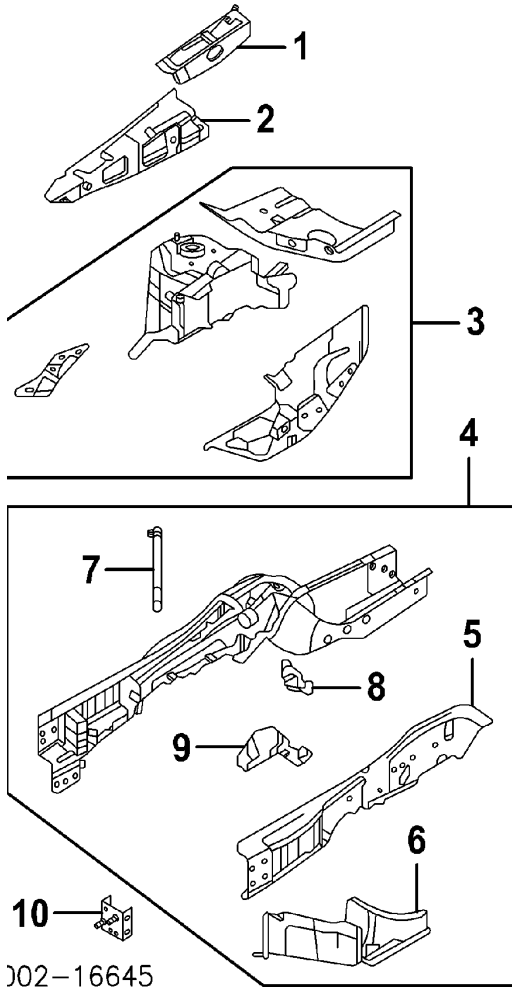
#Includes R&I/R&R A/C Condenser & Air Bag Front Sensor

2009 Ford Escape Limited Utility

Add to R&R Radiator Support Complete w/Auto Trans		.3		
To Aim Lamps		.4		
Evacuate & Recharge System		1.4		
Recover Refrigerant		.3		
1 Gasket, Upper	09-10	.3	9L8Z 9E961 A	\$16.91
2 Support Assy, Radiator	08	3.0	8L8Z 16138 A	\$323.48
	09	3.0	9L8Z 16138 A	\$215.37
	10	3.0	AL8Z 16138 A	\$271.10
3 Brkt, Upper Lamp¶	R	1.0	5L8Z 13A114 BA	\$15.28
	L	1.0	5L8Z 13A114 AA	\$15.28
¶Included w/Radiator Support Assy				
4 Bracket, Upper Radiator	08 R	.3	8L8Z 8B068 A	\$12.80
	L	.3	8L8Z 8B068 B	\$14.30
	09-10 R	.3	9L8Z 8B068 A	\$12.32
	L	.3	9L8Z 8B068 B	\$12.60
5 Bracket, Hood Latch	08 #.5		8L8Z 16C750 A	\$26.92
	09-10 #.5		9L8Z 16C750 A	\$36.53
#w/Front Bumper Cover Assy Removed, Includes R&R Latch				
6 Bar, Lower Tie		2.5	8L8Z 16138 B	\$137.30
7 Brkt, Lower Lamp-See Front Lamps Section				
8 Brace, Front Fender	R	.2	8L8Z 16A023 A	\$64.65
	L	.2	8L8Z 16A024 A	\$64.65
9 Deflector, Front Air		.3	8L8Z 8C299 A	\$33.62
10 Clip, Deflector (a)			N.A.	
(a) As Required				
11 Shield, Lower Splash	08 R	.3	8L8Z 16102 A	\$55.78
	L	.3	8L8Z 16103 A	\$54.30
	09-10 R	.3	8L8Z 16102 A	\$55.78
	L	.3	9L8Z 16103 A	\$33.40

SIDE

2009 Ford Escape Limited Utility



002-16645

Refinish Apron/Rail Assy

R 2.0

L 2.0

Refinish Fender Reinf

R .5

L .5

Refinish Apron Reinf

R .5

L .5

Refinish Upper Apron

R 1.0

L 1.0

Refinish Lower Side Rail Assy

R 1.0

L 1.0

Refinish Sidemember Rail

R .5

L .5

Refinish Side Reinf

R .5

L .5

1Reinf, Fender

R #2.0

YL8Z 16154 AA

\$32.33

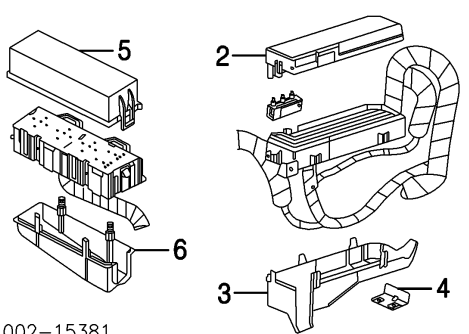
2009 Ford Escape Limited Utility

		L	#2.0	YL8Z 16155 AA	\$32.33
2 Reinf, Apron		R	#2.5	YL8Z 16C274 AA	\$47.00
		L	#2.5	YL8Z 16C275 AA	\$47.00
#R&R One Side Complete 3.0					
3 Apron, Upper		R	#8.5	8L8Z 16054 B	\$353.10
		L	#8.5	8L8Z 16055 B	\$463.90
#w/Radiator Support Removed, Deduct 1.0					
4 Rail Assy, Lower Side		R	#9.0	8L8Z 7810008 A	\$596.68
		L	#9.0	8L8Z 7810009 A	\$691.67
5 Rail, Sidemember¶		R	#6.5	8L8Z 5D804 A	\$104.10
		L	#6.5	8L8Z 5D805 A	\$77.37
#w/Upper Apron Removed Deduct 2.5					
6 Reinf, Side¶					
	2008	R	3.5	YL8Z 5B061 AA	\$109.87
		L	3.5	YL8Z 5B062 AA	\$91.55
	2009-10				
Right-Serviced w/Lower Side Rail Assy					
		L	3.5	YL8Z 5B062 AA	\$91.55
7 Bolt, Reinforcement¶		R		5L8Z 3057 AA	\$26.80
		L		5L8Z 3057 AA	\$26.80
8 Plate, Stab Mounting¶		R	.5	9L8Z 3K079 B	\$54.98
		L	.5	9L8Z 3K079 A	\$67.82
9 Reinf, Lower¶		R	2.0	YL8Z 5B076 AA	\$44.52
		L	2.0	YL8Z 5B077 AA	\$44.52

¶Included w/Lower Side Rail Assy

10 Brkt, Bumper-See Front Bumper Section

**ELECTRICAL COMPONENTS**



002-15381

2009 Ford Escape Limited Utility

1 Harness Assy, Engine Compartment

	2008		
2.3L Eng			
w/Fog Lamps		8L8Z 14290 ZB	\$421.88
w/o Fog Lamps		8L8Z 14290 YB	\$421.88
3.0L Eng			
w/Fog Lamps		8L8Z 14290 JB	\$451.42
w/o Fog Lamps		8L8Z 14290 LB	\$421.88
	2009		
2.5L Eng			
Man Trans			
w/Fog Lamps		9L8Z 14290 PA	\$576.17
w/o Fog Lamps		9L8Z 14290 MA	\$562.52
Auto Trans			
w/Fog Lamps		9L8Z 14290 FA	\$575.33
w/o Fog Lamps		9L8Z 14290 EA	\$561.70
3.0L Eng			
w/Fog Lamps		9L8Z 14290 AA	\$600.93
w/o Fog Lamps		9L8Z 14290 DA	\$582.50
	2010		
2.5L Eng			
w/Active Park Assist		AL8Z 14290 UA	\$508.67
w/o Active Park Assist			
Man Trans			
w/Fog Lamps		AL8Z 14290 PA	\$465.37
w/o Fog Lamps		AL8Z 14290 MA	\$449.95
Auto Trans			
w/Fog Lamps		AL8Z 14290 FA	\$463.65
w/o Fog Lamps		AL8Z 14290 EA	\$448.15
3.0L Eng			
w/Active Park Assist		AL8Z 14290 RA	\$505.00
w/o Active Park Assist			
w/Fog Lamps			
w/Towing Pkg		AL8Z 14290 AA	\$483.62
w/o Towing Pkg		AL8Z 14290 YA	\$475.13
w/o Fog Lamps		AL8Z 14290 DA	\$483.42
2 Cover, Upper Fuse Block¶		.1 8L8Z 14A003 C	\$22.78
3 Cover, Lower Fuse Block¶	08	8L8Z 14A003 D	\$23.47
	09-10	9L8Z 14A003 B	\$18.63
4 Brkt, Fuse Box¶		N.A.	
5 Cover, Upper Relay Box¶		.1 F57Z 14A003 UA	\$7.18
6 Cover, Lower Relay Box¶		F57Z 14A003 FA	\$5.98

¶Included w/Engine Compartment Harness Assy

2009 Ford Escape Limited Utility

Harness, Front Lamp-Serviced w/Engine Compartment Harness Assy

## AIR BAG SYSTEM

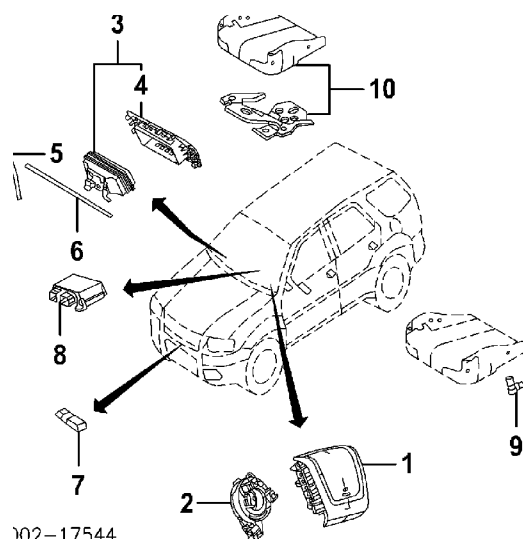
### Procedure 30

NOTE 1: R&R Does Not include disable and enable or diagnose Air Bag System.

NOTE 2: Refer to Procedural Explanation 30 for Supplemental Restraint/Air Bag System Component Inspection and Replacement Information.

NOTE 3: For Air Bag System Service procedures, refer to Manufacturer's Service Repair Manual or Mitchell's Air Bag Service and Repair Manual.

### FRONT



Disable & Enable Air Bag System .5

Add to Disable & Enable Air Bag System

w/Side Air Bags .2

Diagnose Air Bag System (If Required) 1.0

Add to Diagnose Air Bag System

w/Side Air Bags .6

Add to Initialize Occupant Detection ECU .4

1	Module, Driver Air Bag			
	Black	08	.4	8L8Z 78043B13 AC \$683.56
		09-10	.4	9L8Z 78043B13 AC \$683.56
	Camel	08	.4	8L8Z 78043B13 AB \$683.56
		09-10	.4	9L8Z 78043B13 AB \$683.56



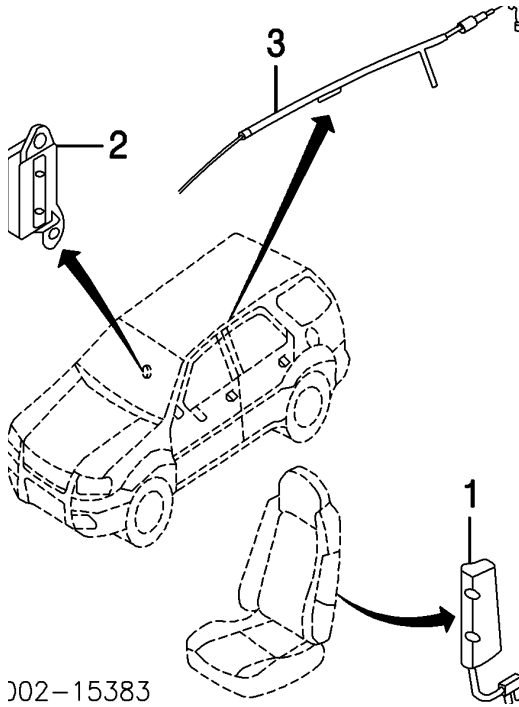
2009 Ford Escape Limited Utility

Stone		08	.4	8L8Z 78043B13 AA	\$683.56
		09-10	.4	9L8Z 78043B13 AA	\$683.56
2 Clockspring			1.1	8L8Z 14A664 A	\$93.43
3 Module Assy, Passenger Air Bag					
Black					
XLT Model			.9	8L8Z 78044A74 AF	\$697.23
Limited Model			.9	8L8Z 78044A74 AC	\$697.23
Camel			.9	8L8Z 78044A74 AB	\$697.23
Stone			.9	8L8Z 78044A74 AE	\$697.23
4 Cover, Module¶					
Black					
XLT Model				8L8Z 7804338 AF	\$116.40
Limited Model				8L8Z 7804338 AC	\$116.40
Camel				8L8Z 7804338 AB	\$97.00
Stone				8L8Z 7804338 AE	\$116.40
¶Included w/Passenger Air Bag Module Assy					
Insulator, Module					
5 Side					
Upper		08		YL8Z 7804398 CA	\$5.60
Lower		08		YL8Z 7804398 BA	\$5.60
6 Lower		08		YL8Z 7804398 AA	\$5.60
7 Sensor, Front Impact					
	2008		.4	8L8Z 14B004 B	\$44.78
2009-10		R	.4	9L8Z 14B004 A	\$35.77
		L	.4	9L8Z 14B004 A	\$35.77
8 Module, Restraint Control		08 #.4		8L8Z 14B321 C	\$271.50
		09 #.4		9L8Z 14B321 A	\$386.19
		10 #.4		AL8Z 14B321 A	\$386.19
#w/Center Console Removed					
Pretensioner, Seat Belt-See Seat Belts Section					
9 Sensor, Seat Position					
Driver Side			.5	7T4Z 14B416 B	\$36.13
10 Pad, Seat Cushion					
Passenger Side					
Heated		08 #.6		8L8Z 78632A22 D	\$1,015.18
		09-10 #.6		9L8Z 78632A22 C	\$1,425.68
Non-Heated		08 #.6		8L8Z 78632A22 C	\$1,134.53
		09-10 #.6		9L8Z 78632A22 B	\$1,315.58
#w/Front Seat Assy Removed					

2009 Ford Escape Limited Utility

Sensor, Occupant Detector-Serviced w/Seat Cushion Pad

SIDE



002-15383

Disable & Enable Air Bag System .5

Add to Disable & Enable Air Bag System

w/Side Air Bags .2

Diagnose Air Bag System (If Required) 1.0

Add to Diagnose Air Bag System

w/Side Air Bags .6

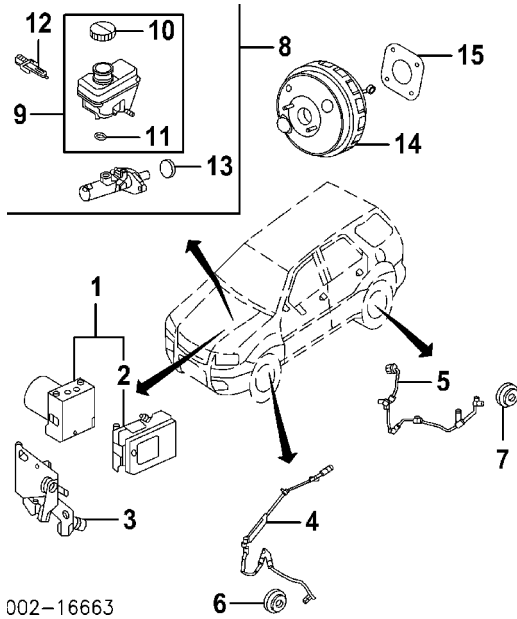
1 Module, Seat Air Bag  
Driver Side

2008	#.5	9L8Z 78611D11 A	\$216.90
2009			
To 12-1-08	#.5	9L8Z 78611D11 A	\$216.90
From 12-2-08	#.5	9L8Z 78611D11 B	\$216.90
2010	#.5	9L8Z 78611D11 B	\$216.90
Passenger Side			
2008	#.5	9L8Z 78611D10 C	\$216.90
2009			

2009 Ford Escape Limited Utility

To 12-1-08		#.5	9L8Z 78611D10 C	\$216.90
From 12-2-08		#.5	9L8Z 78611D10 B	\$260.29
	2010	#.5	9L8Z 78611D10 B	\$260.29
#w/Front Seat Back Cover Removed				
2 Sensor, Side Impact				
Front	08 R	#.6	9L1Z 14B345 A	\$36.96
	L	#.6	9L1Z 14B345 A	\$36.96
	09-10 R	#.6	9L8Z 14B345 A	\$26.66
	L	#.6	9L8Z 14B345 A	\$26.66
#w/Center Pillar Trim Lower Panel Removed				
Rear	08 R	#.5	9L1Z 14B345 A	\$36.96
	L	#.5	9L1Z 14B345 A	\$36.96
	09-10 R	#.5	9L8Z 14B004 A	\$35.77
	L	#.5	9L8Z 14B004 A	\$35.77
#w/Lower Quarter Trim Panel Removed				
3 Module, Side Curtain Air Bag				
w/Sunroof	R	#.8	9L8Z 78042D94 A	\$697.23
	L	#.8	9L8Z 78042D95 A	\$434.53
w/o Sunroof	R	#.8	9L8Z 78042D94 B	\$434.53
	L	#.8	9L8Z 78042D95 B	\$434.53
#w/Headliner Removed				

ABS/BRAKES



002-16663

Bleed Brake System

.6

NOTE: R&R Does Not include bleed brake system.

1 Actuator Assy, ABS	2008	#1.6	8L8Z 2C346 D	\$1,049.98
	2009			
	To 12-1-08	#1.6	9L8Z 2C346 B	\$1,208.00
	From 12-2-08	#1.6	9L8Z 2C346 C	\$1,075.63
	2010	#1.6	9L8Z 2C346 C	\$1,075.63
2 Control Unit, ABS¶	2008	#1.6	8L8Z 2C219 D	\$567.98
	2009			
	To 12-1-08	#1.6	9L8Z 2C219 D	\$681.27
	From 12-2-08	#1.6	9L8Z 2C219 F	\$728.96
	2010	#1.6	AL8Z 2C219 A	\$506.22
¶Included w/ABS Actuator Assy				
#R&R Complete				
3 Bracket, ABS Mounting		#.3	8L8Z 2C304 A	\$43.75
	#w/Actuator Assy Removed			
4 Sensor, Front ABS	08 R	#.6	YL8Z 2C204 AB	\$70.94
	L	#.6	YL8Z 2C205 AB	\$79.78
	09-10 R	#.6	9L8Z 2C204 A	\$51.62
	L	#.6	9L8Z 2C205 A	\$51.62

2009 Ford Escape Limited Utility

#R&R Both 1.0				
5	Sensor, Rear ABS	08	R #.6	8L8Z 2C190 A \$53.66
			L #.6	8L8Z 2C191 A \$68.78
		09	R #.6	9L8Z 2C190 A \$43.76
			L #.6	9L8Z 2C191 A \$39.78
		10	R #.6	AL8Z 2C190 A \$57.18
			L #.6	AL8Z 2C190 B \$57.18
#R&R Both 1.0				
Rotor, ABS Sensor				
6	Front			
		2008	R	7L8Z 2C182 B \$37.31
			L	7L8Z 2C182 B \$37.31
2009-10-See Front Drive Axle Section				
7	Rear			
		2008		
	2WD		R	7L8Z 2C182 A \$45.00
			L	7L8Z 2C182 A \$45.00
	4WD		R	7L8Z 2C182 B \$37.31
			L	7L8Z 2C182 B \$37.31
2009-10				
2WD-See Rear Suspension Section				
4WD-See Rear Drive Axle Section				
8	Cylinder Assy, Brake Master			
	Man Trans	08	1.4	8L8Z 2140 C \$185.82
		09-10	1.4	9L8Z 2140 C \$213.07
	Auto Trans	08	1.4	8L8Z 2140 A \$169.29
		09-10	1.4	9L8Z 2140 A \$213.07
9	Reservoir Assy, Fluid¶			
	Man Trans		.5	5L8Z 2L454 BA \$74.16
	Auto Trans		.5	5L8Z 2L454 AA \$73.31
10	Cap, Reservoir (a)¶			3L8Z 2162 AA \$21.33
11	Seal, Reservoir (2) (a)¶			YL8Z 2B343 AA \$9.31
(a) Included w/Fluid Reservoir Assy				
12	Sensor, Fluid¶		.5	YL8Z 2C050 AA \$20.98
13	Gskt, Cylinder¶			2L1Z 2152 AA \$5.14
¶Included w/Brake Master Cylinder Assy				
14	Booster, Brake		#1.8	9L8Z 2005 A \$204.73

2009 Ford Escape Limited Utility

#Includes R&R Brake Master Cylinder Assy

15 Gskt, Booster

YL8Z 2B485 AA

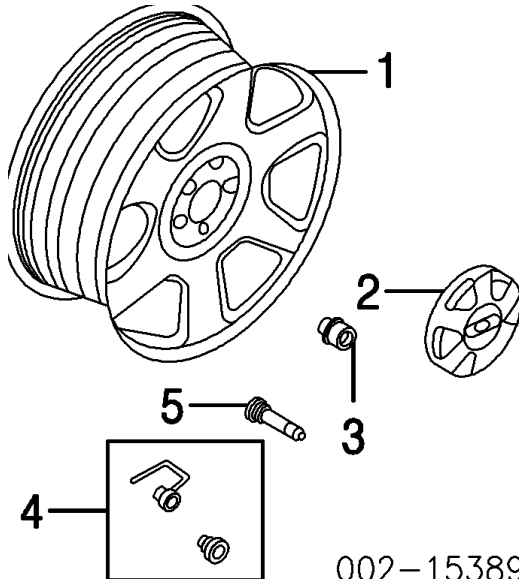
\$9.98

## WHEEL

### Procedure 10

### STEEL WHEEL

2008



Refinish Wheel

.5

Add to R&I Spare Wheel & Tire Assy

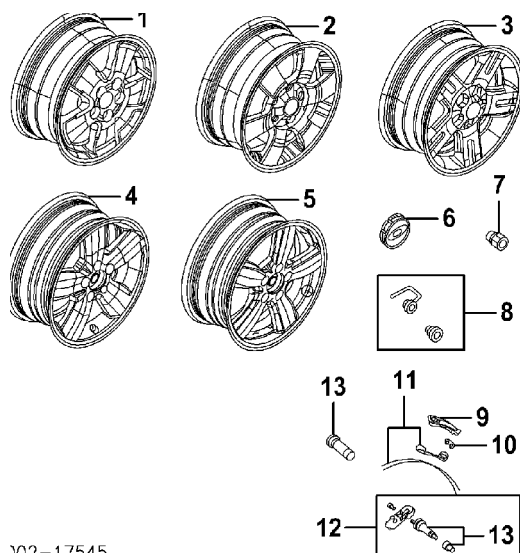
.2

- 1 Wheel, Steel (16x6-1/2")
- 2 Cap, Center
- 3 Nut, Lug
  - To 12-3-07
  - From 12-4-07
- 4 Nut Kit, Locking Lug
  - Dealer Installed
- 5 Stem, Valve

.3	8L8Z 1015 A	\$139.80
	8L8Z 1130 A	\$33.92
	8L8Z 1012 B	\$5.07
	8L8Z 1012 B	\$5.07
	1L8Z 1A043 AA	\$45.00
	F42Z 1700 A	\$2.62

### ALLOY WHEEL

2009 Ford Escape Limited Utility



102-17545

Add to R&I Spare Wheel & Tire Assy

.2

NOTE: Wheel Replacement Requires Replacement of Sensor Installation Kit.

Wheel, Alloy			
16x7"			
1 Type 1	.3	8L8Z 1007 G	\$343.20
2 Type 2	.3	8L8Z 1007 J	\$362.93
3 Type 3	.3	6M6Z 1007 B	\$351.38
17x7"			
4 Chrome	.3	9L8Z 1007 D	\$510.20
5 Painted			
		2009	
From 12-2-08	.3	9L8Z 1007 A	\$425.72
		2010	
	.3	9L8Z 1007 A	\$425.72
6 Cap, Center			
16" Wheels		6L8Z 1130 B	\$39.13
17" Wheels			
Chrome		6L2Z 1130 AA	\$16.67
Black			
		2009	
From 12-2-08		9L8Z 1130 A	\$14.28
		2010	
		9L8Z 1130 A	\$14.28
7 Nut, Lug		6L8Z 1012 AA	\$5.37
8 Nut Kit, Locking Lug			
Dealer Installed		F6SZ 1A043 AA	\$45.00
Sensor, Tire Pressure			
9 Sensor, Tire Pressure	08	6F2Z 1A189 A	\$108.92
10 Clip, Sensor (a)	08	6L2Z 14C202 B	\$3.08



2009 Ford Escape Limited Utility

(a) As Required

11 Installation Kit, Sensor (b) (n)

16" Wheels	08	6F2Z 1A193 C	\$55.24
17" Wheels	08	6F2Z 1A193 D	\$55.24

(n) Non-Reusable Part

(b) Kit Services 1 Wheel

12 Sensor Assy, Tire Pressure

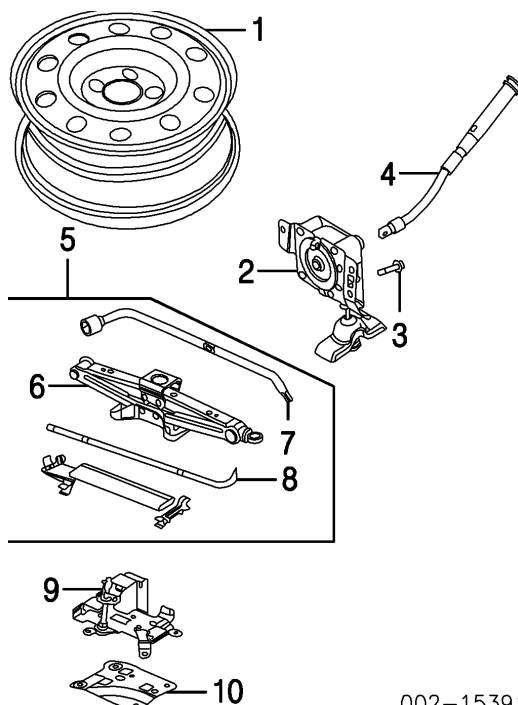
09-10	9L3Z 1A189 A	\$71.02
-------	--------------	---------

13 Stem, Valve

2008	F42Z 1700 A	\$2.62
2009-10¶	9L3Z 1700 A	\$9.49

¶Included w/Tire Pressure Sensor Assy

SPARE WHEEL & HARDWARE



002-1539

1 Wheel, Spare

16" Wheels			
Conventional		5T2Z 1015 EA	\$147.37
Mini (a)		5L8Z 1015 A	\$122.60
17" Wheels (a)		7T4Z 1007 B	\$141.30

(a) Order by Application

Stem, Valve		F42Z 1700 A	\$2.62
-------------	--	-------------	--------

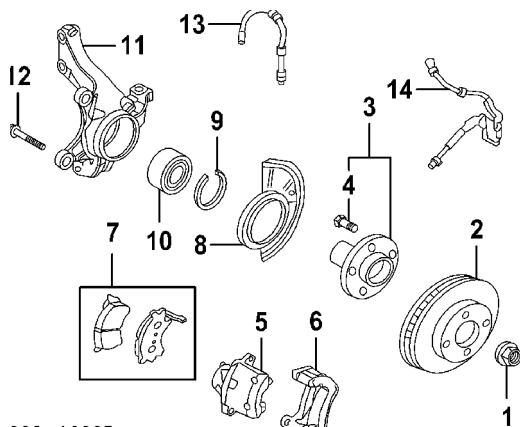
2 Carrier, Spare Wheel	08	8L8Z 1A131 A	\$43.82
------------------------	----	--------------	---------

2009 Ford Escape Limited Utility

	09-10	9L8Z 1A131 A	\$137.77
Nut, Wheel Mtg	09-10	5L8Z 1012 CA	\$12.60
3 Bolt, Mounting (3)	08	* W506425 S439	\$2.75
	09-10	* W505266 S439	\$1.75
4 Shaft, Handle		5L8Z 1A433 BB	\$40.63
5 Tool Set		9L8Z 17080 A	\$109.80
6 Jack-Serviced w/Tool Set¶			
7 Wrench, Lug¶		8L8Z 17035 A	\$28.12
8 Handle, Jack¶		6L8Z 17081 A	\$17.02
¶Included w/Tool Set			
9 Brkt, Jack Mounting		5L8Z 17091 BC	\$38.47
10 Plate, Mounting		5L8Z 17085 AA	\$11.88

## FRONT SUSPENSION

### Procedure 11



002-16665

R&I Suspension (One Side)

R	2.0
L	2.0

O/H Suspension (Includes R&I)

One Side (Includes R&I)

R	3.4
L	3.4

Both Sides (Includes R&I)

6.2

Adjust Four Wheel Alignment

1.8

Adjust Front Alignment

1.3

Bleed Brake System

.6

NOTE 1: R&I/R&R or O/H Does Not include alignment or bleed brake system.

NOTE 2: All Parts in this section are included in overhaul unless noted otherwise.

1 Nut, Axle-See Front Drive Axle Section

2 Rotor, Brake

R	#.6	5L8Z 1125 AA	\$108.30
L	#.6	5L8Z 1125 AA	\$108.30

#R&R Both 1.0

3 Hub Assy, Wheel

R	#1.6	8L8Z 1104 A	\$165.37
L	#1.6	8L8Z 1104 A	\$165.37

#Includes R&R Rotor, R&R Both 3.0

4 Stud, Lug (5/Side)¶

R		6L8Z 1107 A	\$5.37
L		6L8Z 1107 A	\$5.37

¶Included w/Wheel Hub Assy

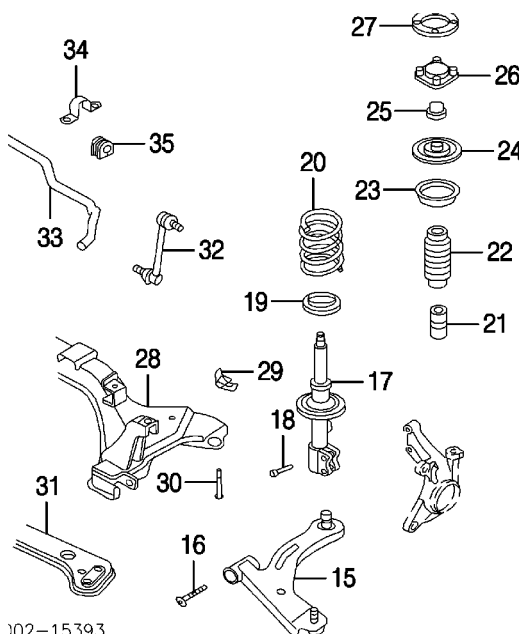
5 Caliper, Brake

2008	R	#.5	7L8Z 2B120 B	\$125.57
------	---	-----	--------------	----------

2009 Ford Escape Limited Utility

		L	#.5	7L8Z 2B121 B	\$125.57
	2009				
To 12-1-08		R	#.5	7L8Z 2B120 B	\$125.57
		L	#.5	7L8Z 2B121 B	\$125.57
From 12-2-08		R	#.5	9L8Z 2B120 A	\$66.65
		L	#.5	9L8Z 2B121 A	\$66.65
	2010	R	#.5	9L8Z 2B120 A	\$66.65
		L	#.5	9L8Z 2B121 A	\$66.65
6 Brkt, Caliper					
	2008	R	#.5	5L8Z 2B540 AA	\$56.18
		L	#.5	5L8Z 2B540 AA	\$56.18
	2009				
To 12-1-08		R	#.5	5L8Z 2B540 AA	\$56.18
		L	#.5	5L8Z 2B540 AA	\$56.18
From 12-2-08		R	#.5	9L8Z 2B540 A	\$41.17
		L	#.5	9L8Z 2B540 A	\$41.17
	2010	R	#.5	9L8Z 2B540 A	\$41.17
		L	#.5	9L8Z 2B540 A	\$41.17
#R&R One Side Complete, R&R Both Sides .8					
7 Pad Set, Brake			#1.0	6L8Z 2001 A	\$83.30
#Deduct .5 w/Each Brake Caliper Removed					
8 Shield, Splash		R	#1.6	YL8Z 2K004 AA	\$27.08
		L	#1.6	YL8Z 2K004 AA	\$27.08
9 Retainer, Bearing		R	#1.6	YL8Z 3B457 AA	\$12.22
		L	#1.6	YL8Z 3B457 AA	\$12.22
10 Bearing, Hub		R	#1.6	YL8Z 1215 AA	\$94.97
		L	#1.6	YL8Z 1215 AA	\$94.97
11 Knuckle, Front		R	#1.6	5L8Z 3K185 BA	\$123.32
		L	#1.6	5L8Z 3K186 BA	\$125.43
#R&R One Side Complete, Includes R&R Brake Rotor & Wheel Hub Assy, R&R Both Sides 3.0					
12 Bolt, Mtg (2/Side)		R		* W708519 S439	\$4.00
		L		* W708519 S439	\$4.00
13 Hose, Front Brake	08	R	#.3	9L8Z 2078 A	\$28.92
		L	#.3	9L8Z 2078 A	\$28.92
	09-10	R	#.3	9L8Z 2078 A	\$28.92
		L	#.3	9L8Z 2078 A	\$28.92
#w/Caliper Removed Deduct .2					
14 Sensor, Front ABS-See ABS/Brakes Section					

2009 Ford Escape Limited Utility



15 Arm, Lower Control	R	#1.5	6L8Z 3078 AA	\$199.98
	L	#1.5	6L8Z 3079 AA	\$199.98

#w/Knuckle Removed Deduct 1.0, R&R Both 2.8

16 Bolt, Control Arm	R		* W500749 S439	\$9.00
	L		* W500749 S439	\$9.00

17 Strut

2008

2.3L Eng				
Man Trans	R	#1.3	8L8Z 18124 AR	\$77.80
	L	#1.3	8L8Z 18124 AL	\$77.80
Auto Trans	R	#1.3	8L8Z 18124 BR	\$77.80
	L	#1.3	8L8Z 18124 BL	\$77.80
3.0L Eng	R	#1.3	8L8Z 18124 AR	\$77.80
	L	#1.3	8L8Z 18124 AL	\$77.80
2009-10				
2.5L Eng				
Man Trans	R	#1.3	9L8Z 18124 BR	\$79.58
	L	#1.3	9L8Z 18124 BL	\$79.58
Auto Trans	R	#1.3	9L8Z 18124 AR	\$76.30
	L	#1.3	9L8Z 18124 AL	\$79.58
3.0L Eng	R	#1.3	9L8Z 18124 BR	\$79.58
	L	#1.3	9L8Z 18124 BL	\$79.58
18 Bolt, Strut Mtg (2/Side)	R		* W711998 S439	\$3.50
	L		* W711998 S439	\$3.50
19 Seat, Lwr Spring	R	#1.3	YL8Z 5A307 AA	\$10.88

2009 Ford Escape Limited Utility

	L	#1.3	YL8Z 5A307 AA	\$10.88
20 Spring, Coil (b)	08 R	#1.3	7L8Z 5310 B	\$51.67
	L	#1.3	7L8Z 5310 B	\$51.67
	09-10 R	#1.3	9L8Z 5310 A	\$53.67
	L	#1.3	9L8Z 5310 A	\$53.67
(b) Order by Application				
21 Bumper, Strut	R	#1.3	YL8Z 18A085 AB	\$12.98
	L	#1.3	YL8Z 18A085 AB	\$12.98
22 Shield, Dust	R	#1.3	9L8Z 18A179 A	\$7.98
	L	#1.3	9L8Z 18A179 A	\$7.98
23 Retainer, Lwr Spring	08 R	#1.3	YL8Z 5793 AA	\$14.98
	L	#1.3	YL8Z 5793 AA	\$14.98
	09-10 R	#1.3	9L8Z 5793 A	\$18.19
	L	#1.3	9L8Z 5793 A	\$18.19
24 Retainer, Upr Spring	R	#1.3	YL8Z 5A306 AA	\$20.60
	L	#1.3	YL8Z 5A306 AA	\$20.60
25 Bushing, Strut	R	#1.3	YL8Z 18198 AA	\$8.62
	L	#1.3	YL8Z 18198 AA	\$8.62
26 Plate, Strut Mtg	R	#1.3	7L8Z 18183 A	\$15.47
	L	#1.3	7L8Z 18183 A	\$15.47
27 Reinf, Strut Mount	R	#1.3	YL8Z 18A049 AB	\$10.98
	L	#1.3	YL8Z 18A050 AB	\$11.98

#R&R One Side Complete, w/Knuckle Removed Deduct .8, R&R Both Sides  
2.4

28 Crossmember, Front	08	#6.8	8L8Z 5C145 A	\$359.48
	09-10	#6.8	9L8Z 5C145 A	\$324.37

#Not Included in O/H

29 Plate, Stab Mounting-See Front Inner Structure Section

30 Bolt, Mounting	08 R		* W711972 S439	\$14.00
	L		* W711972 S439	\$14.00
	09-10 R		* W712807 S439	\$4.75
	L		* W712807 S439	\$4.75
31 Brace, Crossmember		#1.3	5L8Z 5B112 AB	\$45.65
32 Link, Stabilizer	R	#.4	7L8Z 5K483 A	\$31.15
	L	#.4	7L8Z 5K483 A	\$31.15

#Not Included in O/H

33 Bar, Stabilizer

2008

2.3L Eng				
Man Trans		#.9	8L8Z 5482 A	\$109.88
Auto Trans		#.9	8L8Z 5482 B	\$91.53
3.0L Eng				
16" Wheels		#.9	8L8Z 5482 B	\$91.53
17" Wheels		#.9	8L8Z 5482 A	\$109.88

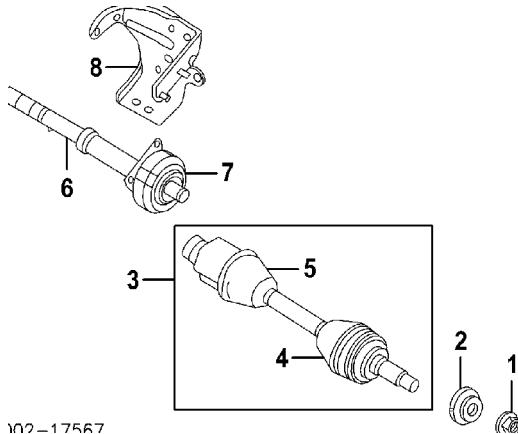
2009 Ford Escape Limited Utility

2009-10		#.9	9L8Z 5482 A	\$71.48
#Includes R&R Stabilizer Bar Links, Stabilizer Bar Brackets & Stabilizer Bar Insulators, Not Included in O/H				
34 Brkt, Stabilizer	08 R	#.3	5L8Z 5486 AA	\$14.65
	L	#.3	5L8Z 5486 AA	\$14.65
	09-10 R	#.3	9L8Z 5486 B	\$5.48
	L	#.3	9L8Z 5486 B	\$5.48
35 Bushing, Stabilizer				
	2008			
2.3L Eng				
Man Trans	R	#.3	8L8Z 5484 A	\$11.88
	L	#.3	8L8Z 5484 A	\$11.88
Auto Trans	R	#.3	8L8Z 5484 B	\$11.25
	L	#.3	8L8Z 5484 B	\$11.25
3.0L Eng				
16" Wheels	R	#.3	8L8Z 5484 B	\$11.25
	L	#.3	8L8Z 5484 B	\$11.25
17" Wheels	R	#.3	8L8Z 5484 A	\$11.88
	L	#.3	8L8Z 5484 A	\$11.88
2009-10	R	#.3	9L8Z 5484 A	\$11.02
	L	#.3	9L8Z 5484 A	\$11.02

#R&R One Side Complete, Not Included in O/H

2009 Ford Escape Limited Utility

## FRONT DRIVE AXLE



102-17567

<b>R&amp;I Axle Shaft Assy</b>	R	#.3		
	L	#.3		
<b>O/H Axle Shaft Assy (Includes R&amp;I)</b>	R	#1.1		
	L	#1.1		

#w/Necessary Suspension Components Removed

NOTE: All Parts in this section are included in overhaul unless noted otherwise.

1 Nut, Axle	R		* W705967 S440	\$10.75
	L		* W705967 S440	\$10.75

2 Rotor, ABS Sensor

2008-See ABS/Brakes Section

2009-10-Serviced w/Front Axle Assy

3 Axle Assy, Front

2WD

Man Trans

08 R	#.3	6L8Z 3A428 A	\$703.98
L	#.3	6L8Z 3A427 C	\$327.78
09-10 R	#.3	5L8Z 3A428 DB	\$325.58
L	#.3	6L8Z 3A427 C	\$327.78

Auto Trans

08 R	#.3	5L8Z 3A428 DB	\$325.58
L	#.3	5L8Z 3A427 C	\$530.18
09-10 R	#.3	5L8Z 3A428 DB	\$325.58
L	#.3	9L8Z 3A427 D	\$317.30

4WD

Man Trans

08 R	#.3	6L8Z 3A428 A	\$703.98
L	#.3	6L8Z 3A427 B	\$701.78
09-10 R	#.3	5L8Z 3A428 DB	\$325.58



2009 Ford Escape Limited Utility

		L	#.3	6L8Z 3A427 C	\$327.78
Auto Trans		08 R	#.3	5L8Z 3A428 DB	\$325.58
		L	#.3	5L8Z 3A427 C	\$530.18
		09-10 R	#.3	5L8Z 3A428 DB	\$325.58
		L	#.3	9L8Z 3A427 D	\$317.30
#w/Necessary Suspension Components Removed					
4 Boot Kit, Outer¶					
	2008	R	#.4	5L8Z 3A331 AA	\$70.38
		L	#.4	5L8Z 3A331 AA	\$70.38
2009-10					
Man Trans		R	#.4	5L8Z 3A331 AA	\$70.38
		L	#.4	5L8Z 3A331 AA	\$70.38
Auto Trans-Serviced w/Front Axle Assy					
5 Boot Kit, Inner¶					
Man Trans		R	#.4	5L8Z 3A331 BA	\$98.98
		L	#.4	5L8Z 3A331 BA	\$98.98
Auto Trans					
	2008	R	#.4	5L8Z 3A331 FA	\$76.98
		L	#.4	5L8Z 3A331 FA	\$76.98
2009-10-Serviced w/Front Axle Assy					
¶Included w/Front Axle Assy					
#w/Axle Shaft Assy Removed					
6 Shaft, Intermediate					
2WD					
Man Trans					
	2008	R	#.6	6L8Z 3A329 B	\$122.33
	2009				
To 10-27-08		R	#.6	9L8Z 3A329 D	\$186.57
From 10-28-08		R	#.6	9L8Z 3A329 D	\$186.57
	2010	R	#.6	9L8Z 3A329 D	\$186.57
Auto Trans		08 R	#.6	5L8Z 3A329 B	\$115.00
		09-10 R	#.6	9L8Z 3A329 A	\$161.45
4WD					
Man Trans		R	#.6	6L8Z 3A329 C	\$170.87
Auto Trans		08 R	#.6	6L8Z 3A329 A	\$115.00
		09-10 R	#.6	9L8Z 3A329 B	\$160.72
7 Cover, Shaft					
				6L8Z 3K307 A	\$16.48
8 Bracket, Shaft Support					
2WD					

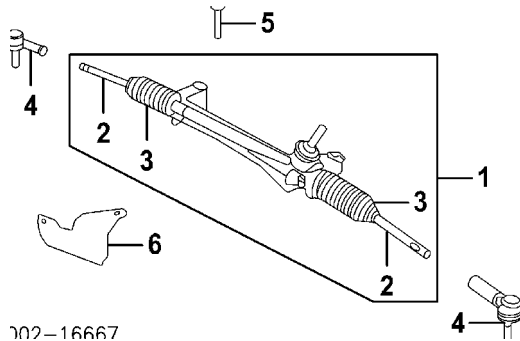
2009 Ford Escape Limited Utility

Man Trans	08 R	#.6	5L8Z 3K305 AA	\$72.67
	09-10 R	#.6	9L8Z 3K305 A	\$85.15
Auto Trans				
	2008			
2.3L Eng	R	#.6	5L8Z 3K305 BA	\$67.80
3.0L Eng	R	#.6	YL8Z 3K305 BA	\$23.30
2009-10	R	#.6	9L8Z 3K305 B	\$56.63
4WD				
Man Trans	08 R	#.6	5L8Z 3K305 AA	\$72.67
	09-10 R	#.6	9L8Z 3K305 B	\$56.63
Auto Trans				
	2008			
2.3L Eng	R	#.6	5L8Z 3K305 CA	\$79.80
3.0L Eng	R	#.6	5L8Z 3K305 EA	\$61.32
2009-10	R	#.6	9L8Z 3K305 B	\$56.63

#R&R Complete, w/Axle Shaft Assy Removed, Not Included in O/H

2009 Ford Escape Limited Utility

## FRONT STEERING LINKAGE/GEAR



707-16667

R&I Steering Gear Assy

3.2

NOTE: R&I/R&R Does Not include check or adjust alignment.

1 Gear Assy, Steering	08-09	3.6	8L8Z 3504 C	\$510.16
	10	3.6	AL8Z 3504 BE	\$342.88
2 Rod, Inner Tie¶	R	#.7	8L8Z 3280 A	\$59.95
	L	#.7	8L8Z 3280 A	\$59.95
3 Boot, Dust¶	R	#.7	8L8Z 3332 A	\$24.33
	L	#.7	8L8Z 3332 A	\$24.33

¶Included w/Steering Gear Assy

#R&R One Side Complete, Includes R&R Outer Tie Rod End, R&R Both Sides  
1.2

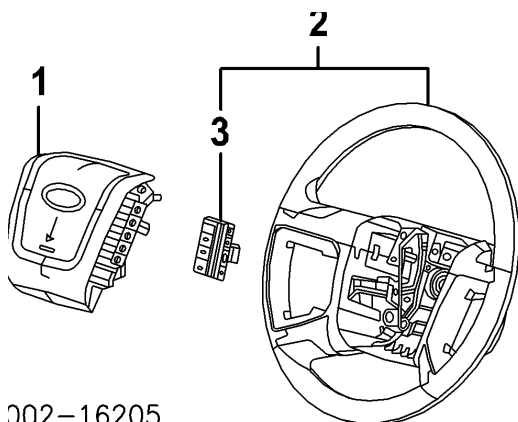
4 End, Outer Tie Rod	2008	R	.3	8L8Z 3A130 A	\$109.48	
		L	.3	8L8Z 3A130 A	\$109.48	
	2009	To 5-26-09	R	.3	8L8Z 3A130 A	\$109.48
			L	.3	8L8Z 3A130 A	\$109.48
		From 5-27-09	R	.3	8L8Z 3A130 B	\$109.48
			L	.3	8L8Z 3A130 B	\$109.48
	2010	R	.3	8L8Z 3A130 B	\$109.48	
		L	.3	8L8Z 3A130 B	\$109.48	
	5 Bolt, Mounting	R		* W712338 S439	\$5.50	
		L		* W712338 S439	\$5.50	
	6 Shield, Heat	R		8L8Z 3C567 A	\$14.67	

## STEERING WHEEL/COLUMN

NOTE: All Parts in this section are included in O/H unless noted otherwise.

### WHEEL & TRIM

2008



002-16205

1 Module, Driver Air Bag-See Air Bag System Section

2 Wheel Assy, Steering

Leather

2.3L Eng

2WD

To 12-3-07

.8 8L8Z 3600 AH \$318.10

From 12-4-07

.8 8L8Z 3600 AS \$317.62

4WD

To 12-3-07

.8 8L8Z 3600 CH \$356.32

From 12-4-07

.8 8L8Z 3600 CQ \$355.83

3.0L Eng

w/Radio Controls

.8 8L8Z 3600 BP \$404.52

w/o Radio Controls

To 12-3-07

.8 8L8Z 3600 CH \$356.32

From 12-4-07

.8 8L8Z 3600 CQ \$355.83

Urethane

2.3L Eng

2WD

w/Cruise Control

.8 8L8Z 3600 BT \$283.33

w/o Cruise Control

To 12-1-07

.8 8L8Z 3600 AP \$49.38

From 12-2-07

.8 8L8Z 3600 AR \$212.05

4WD

w/Cruise Control

.8 8L8Z 3600 CV \$329.42

w/o Cruise Control

.8 8L8Z 3600 DH \$248.92

3.0L Eng

2009 Ford Escape Limited Utility

w/Cruise Control		.8	8L8Z 3600 CV	\$329.42
w/o Cruise Control		.8	8L8Z 3600 DH	\$248.92

¶Black listed, Order by Application

3 Switch, Steering Wheel (a)				
Radio	R	.3	8L8Z 9C888 BA	\$73.44
	L	.3	8L8Z 9C888 AA	\$82.78

(a) Included w/Steering Wheel Assy

WHEEL & TRIM

2009

1 Module, Driver Air Bag-See Air Bag System Section				
2 Wheel Assy, Steering¶				
Leather				
w/Steering Damper				
w/Redundant Controls				
Type 1				
To 12-1-08		.8	9L8Z 3600 MC	\$292.23
From 12-2-08		.8	9L8Z 3600 MC	\$292.23
Type 2				
To 12-1-08		.8	9L8Z 3600 RC	\$295.82
From 12-2-08		.8	9L8Z 3600 RC	\$295.82
Type 3		.8	9L8Z 3600 TC	\$296.48
Type 4		.8	9L8Z 3600 VC	\$296.38
w/o Redundant Controls		.8	9M6Z 3600 BF	\$300.22
w/o Steering Damper				
w/Redundant Controls				
Type 1				
To 12-1-08		.8	9L8Z 3600 NC	\$259.48
From 12-2-08		.8	9L8Z 3600 NC	\$259.48
Type 2				
To 12-1-08		.8	9L8Z 3600 PC	\$263.10
From 12-2-08		.8	9L8Z 3600 PC	\$263.10
Type 3				
To 12-1-08		.8	9L8Z 3600 SC	\$263.72
From 12-2-08		.8	9L8Z 3600 SC	\$263.72
Type 4		.8	9L8Z 3600 UC	\$263.57
w/o Redundant Controls		.8	9L8Z 3600 LC	\$226.90
Urethane				
w/Steering Damper				
w/Cruise Control				

2009 Ford Escape Limited Utility

w/Redundant Controls			
Type 1	.8	9M6Z 3600 EC	\$268.98
Type 2	.8	9L8Z 3600 LF	\$233.33
Type 3	.8	9L8Z 3600 NF	\$233.90
9M6Z 3600 DC	.8		\$235.98
w/o Redundant Controls			
w/o Cruise Control	.8	9L8Z 3600 DE	\$213.87
w/o Steering Damper			
w/Cruise Control			
w/Redundant Controls			
Type 1	.8	9M6Z 3600 FC	\$205.33
Type 2	.8	9L8Z 3600 KF	\$233.33
Type 3	.8	9L8Z 3600 MF	\$234.05
9L8Z 3600 JF	.8		\$203.57
w/o Redundant Controls	.8		\$212.05
w/o Cruise Control	.8	8L8Z 3600 AR	\$212.05

¶Black listed, Order by Application

3 Switch, Steering Wheel (a)

Multi-Function

w/Sync System-Serviced w/Steering Wheel Assy

w/o Sync System	R	.3	8L8Z 9C888 BA	\$73.44
	L	.3	9L8Z 9C888 AA	\$84.67

(a) Included w/Steering Wheel Assy

WHEEL & TRIM

2010

1 Module, Driver Air Bag-See Air Bag System Section

2 Wheel Assy, Steering¶

Leather

w/Steering Damper

w/Redundant Controls

Type 1	.8	9L8Z 3600 MC	\$292.23
Type 2	.8	9L8Z 3600 RC	\$295.82
Type 3	.8	9L8Z 3600 TC	\$296.48
Type 4	.8	9L8Z 3600 VC	\$296.38

9M6Z 3600 BF	.8		\$300.22
--------------	----	--	----------

w/o Steering Damper

w/Redundant Controls

Type 1	.8	9L8Z 3600 NC	\$259.48
Type 2	.8	9L8Z 3600 PC	\$263.10

2009 Ford Escape Limited Utility

Type 3	.8	9L8Z 3600 SC	\$263.72
Type 4	.8	9L8Z 3600 UC	\$263.57
w/o Redundant Controls	.8	9L8Z 3600 LC	\$226.90
Urethane			
w/Steering Damper			
w/Cruise Control			
w/Redundant Controls			
Type 1	.8	9M6Z 3600 EC	\$268.98
Type 2	.8	9L8Z 3600 LF	\$233.33
Type 3	.8	9L8Z 3600 NF	\$233.90
w/o Redundant Controls	.8	9M6Z 3600 DC	\$235.98
w/o Cruise Control	.8	9L8Z 3600 DE	\$213.87
w/o Steering Damper			
w/Cruise Control			
w/Redundant Controls			
Type 1	.8	9M6Z 3600 FC	\$205.33
Type 2	.8	9L8Z 3600 KF	\$233.33
Type 3	.8	9L8Z 3600 MF	\$234.05
w/o Redundant Controls	.8	9L8Z 3600 JF	\$203.57
w/o Cruise Control	.8	8L8Z 3600 AR	\$212.05

¶Black listed, Order by Application

3 Switch, Steering Wheel (a)  
Multi-Function

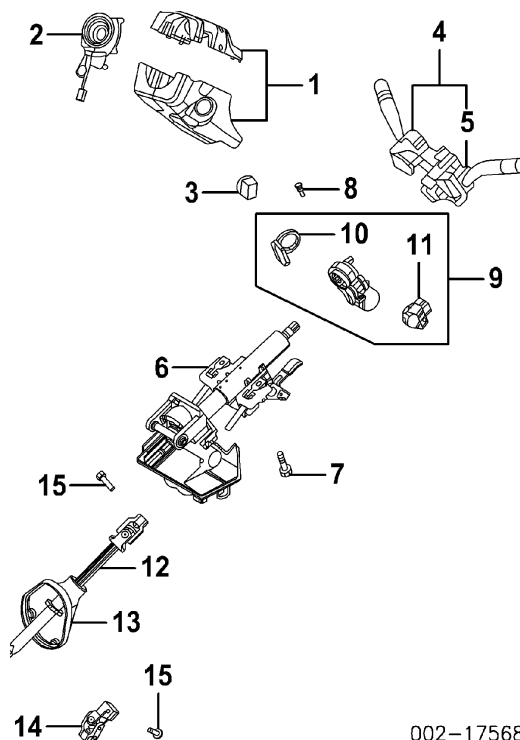
w/Sync System-Serviced w/Steering Wheel Assy

w/o Sync System	R	.3	8L8Z 9C888 BA	\$73.44
	L	.3	9L8Z 9C888 AA	\$84.67

(a) Included w/Steering Wheel Assy

COLUMN TILT

2009 Ford Escape Limited Utility



002-1756E

R&I Steering Column

1.3

O/H Steering Column (Includes R&I)

3.0

1	Cover, Steering Column			
	Black	.5	8L8Z 3530 AC	\$52.67
	Camel	.5	8L8Z 3530 AB	\$52.53
	Stone	.5	8L8Z 3530 AA	\$52.53
2	Clockspring-See Air Bag System Section			
3	Cylinder, Ignition Lock	.7	5S4Z 11582 BB	\$152.84
4	Switch Assy, Combination	1.2	8L8Z 13K359 AA	\$84.36
5	Body, Switch¶	1.3	8L8Z 3F791 A	\$7.53
	¶Included w/Combination Switch Assy			
6	Column, Steering			
		2008	2.6	9L8Z 3C529 C \$1,166.63
		2009		
	To 5-1-09		2.6	9L8Z 3C529 C \$1,166.63
	From 5-2-09		2.6	9L8Z 3C529 D \$1,145.82
		2010	2.6	AL8Z 3C529 A \$1,115.43
7	Bolt, Column (2)		* W712250 S437	\$6.00
8	Bolt, Shear (c)		* W302562 S300	\$6.00
	(c) Non-Reusable Part			



2009 Ford Escape Limited Utility

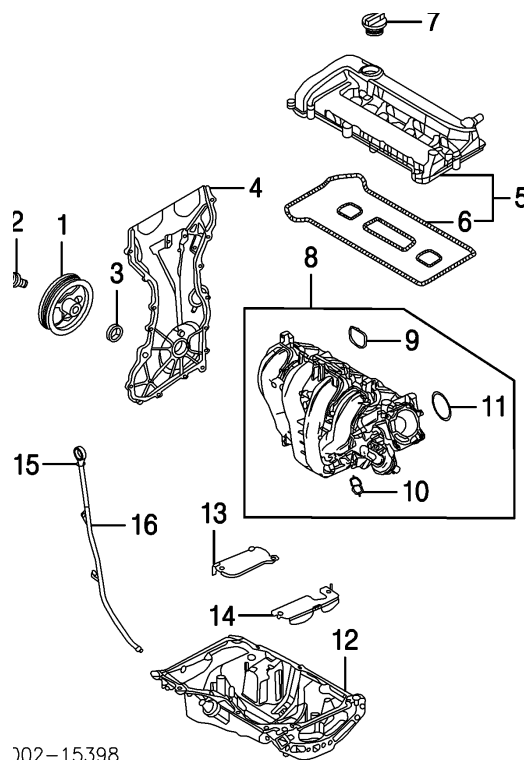
9 Lock Assy, Steering		1.3 9L8Z 3511 A	\$93.53
10 Transceiver, Anti-Theft (a)	08-09	.8 8L8Z 15607 B	\$45.09
	10	.8 8S4Z 15607 A	\$43.77
11 Switch, Ignition (a)		.7 98AZ 11572 A	\$86.20
(a) Included w/Steering Lock Assy			
12 Shaft, Column		8L8Z 3B676 D	\$122.63
13 Boot, Steering Column			
	2008		
	To 12-3-07	8L8Z 3C611 A	\$43.98
	From 12-4-07	9L8Z 3C611 A	\$38.33
	2009-10	9L8Z 3C611 A	\$38.33
14 Coupling, Column		.8 8L8Z 3B676 C	\$57.40
15 Bolt, Coupling (3)		* W713065 S439	\$2.00

## ENGINE/TRANSMISSION

### Procedure 12

### 2.3L ENG

2008



107-15.398

### R&I Engine/Trans Assy

2WD

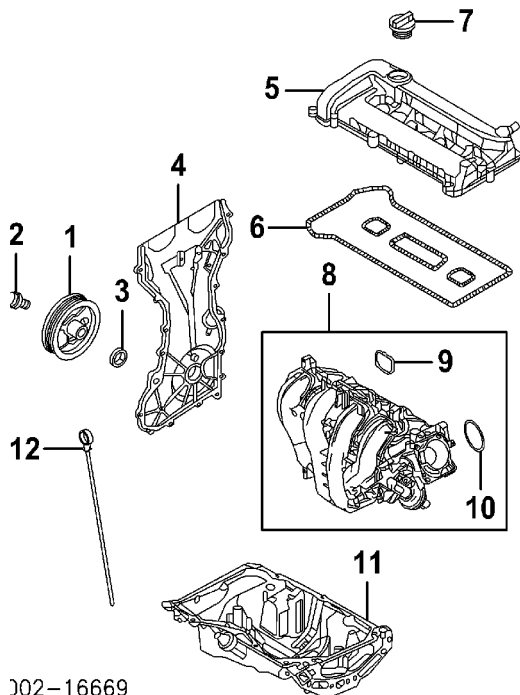
4WD

	9.2		
	11.0		
1 Pulley, Crankshaft	2.4	8U7Z 6312 A	\$64.02
2 Bolt, Pulley		1S7Z 6A340 AA	\$10.98
3 Seal, Crankshaft		1S7Z 6700 AA	\$12.54
4 Cover, Timing	#4.6	2L8Z 6019 AA	\$136.65
#Includes R&R Crankshaft Pulley			
Sealant, Eng		N.A.	
5 Cover Assy, Valve	1.0	4S4Z 6582 CA	\$131.98
6 Gskt, Valve Cover¶		1S7G 6K260 AA	\$31.15
¶Included w/Valve Cover Assy			
7 Cap, Oil Filler		YS4Z 6766 BB	\$10.34
8 Manifold Assy, Intake	3.6	5L8Z 9424 A	\$239.30
Gasket, Manifold (a)			
9 No. 1		1S7Z 9439 AA	\$9.61

2009 Ford Escape Limited Utility

10	No. 2	3S4Z 9F670 AA	\$15.20
11	Seal, Tube (a)	1S7Z 9J469 AA	\$5.48
(a) Included w/Intake Manifold Assy			
12	Pan, Eng Oil Baffle, Oil Pan	2.4 3M4Z 6675 AA	\$171.65
13	Front	3M4Z 6687 AA	\$10.98
14	Rear	3M4Z 6687 BA	\$10.98
15	Dipstick, Eng Oil	5L8Z 6750 AA	\$17.78
16	Tube, Dipstick	.8 5L8Z 6754 AA	\$42.63

2.5L ENG  
2009-10



J02-16669

R&I Engine/Trans Assy

2WD

4WD

1	Pulley, Crankshaft	2.4 9E5Z 6312 B	\$130.42
2	Bolt, Pulley	1S7Z 6A340 AA	\$10.98
3	Seal, Crankshaft	09 1S7Z 6700 AA	\$12.54
		10 9E5Z 6700 A	\$15.37
4	Cover, Timing	#4.6 9E5Z 6019 A	\$159.98
#Includes R&R Crankshaft Pulley			
	Sealant, Eng	N.A.	
5	Cover, Valve	1.0 9E5Z 6582 A	\$149.60

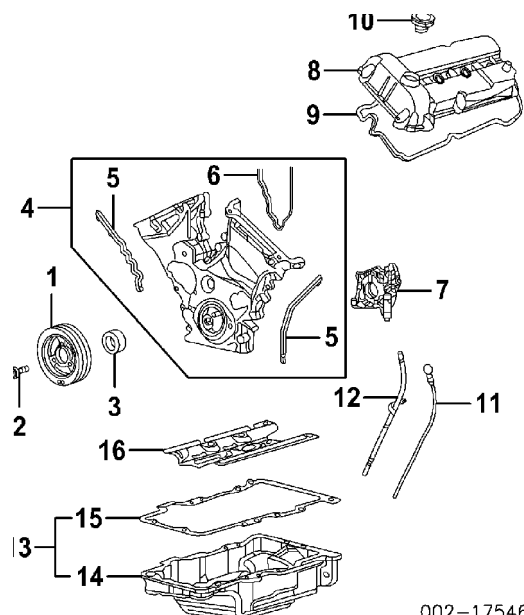
2009 Ford Escape Limited Utility

6 Gskt, Valve Cover		1S7G 6K260 AA	\$31.15
7 Cap, Oil Filler		YS4Z 6766 BB	\$10.34
8 Manifold Assy, Intake	3.6	9E5Z 9424 A	\$203.32
9 Gasket, Manifold (4)¶		8E5Z 9439 A	\$5.06
10 Seal, Tube¶		1S7Z 9J469 AA	\$5.48

¶Included w/Intake Manifold Assy

11 Pan, Eng Oil	09	2.4 8E5Z 6675 A	\$206.63
	10	2.4 9E5Z 6675 A	\$206.63
12 Dipstick, Eng Oil		8E5Z 6750 C	\$10.52

3.0L ENG



R&I Engine/Trans Assy

2WD		8.6	
4WD		9.2	
1 Pulley, Crankshaft		.8 6E5Z 6312 AA	\$58.07
2 Bolt, Pulley		F5RZ 6A340 B	\$7.32
3 Seal, Crankshaft		F5AZ 6700 A	\$10.45
4 Cover Assy, Timing	08	#7.0 8L8Z 6019 A	\$196.65
	09-10	#7.0 9L8Z 6019 A	\$172.02

#Includes R&R Crankshaft Pulley & Oil Pan

5 Gskt, Otr Timing Cover¶	R	3M4Z 6020 AA	\$4.28
	L	3M4Z 6020 CA	\$4.28
6 Gskt, Ctr Timing Cover¶		3M4Z 6020 BA	\$4.34

¶Included w/Timing Cover Assy

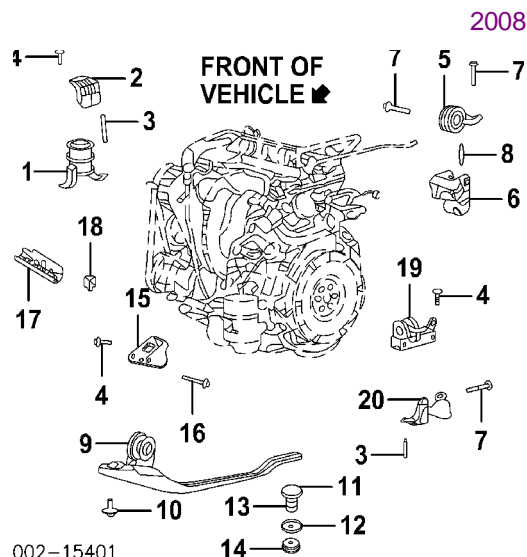
7 Pump, Oil	#1.3	3W4Z 6600 AA	\$103.32
-------------	------	--------------	----------

2009 Ford Escape Limited Utility

#w/Timing Cover Removed					
8	Cover, Valve	08 R	#2.7	6L8Z 6582 B	\$118.00
		L	#1.5	8L8Z 6582 A	\$192.48
		09-10 R	#2.7	9L8Z 6582 B	\$148.48
		L	#1.5	9L8Z 6582 C	\$149.98
#R&R Both 3.8					
9	Gasket, Valve Cover	08 R		6L8Z 6584 B	\$16.15
		L		6L8Z 6584 A	\$16.83
		09-10 R		9L8Z 6584 A	\$10.83
		L		9L8Z 6584 B	\$11.09
10	Cap, Oil Filler	L		8F1Z 6766 A	\$12.08
11	Dipstick, Eng Oil	08		4L8Z 6750 AA	\$16.65
		09-10		6E5Z 6750 AC	\$7.32
12	Tube, Eng Dipstick		.8	3M4Z 6754 AB	\$24.30
13	Pan Assy, Engine Oil	2008	2.3	8L8Z 6675 A	\$209.98
2009-10-Serviced by Components					
14	Pan, Engine Oil				
2008-Serviced w/Engine Oil Pan Assy					
2009-10					
15	Gasket, Eng Oil Pan (a)		2.3	9L8Z 6675 A	\$208.98
				3W4Z 6710 DA	\$42.12
(a) Included w/Engine Oil Pan Assy					
16	Baffle, Eng Oil Pan			YL8Z 6687 AA	\$27.48

## ENGINE/TRANSMISSION MOUNTS

### 2.3L ENG



002-15401

1 Mount, Front Eng		#1.0	6L8Z 6068 CA	\$86.73
2 Brkt, Front Eng Mount		#1.0	8L8Z 6061 BA	\$56.82
#R&R Complete				
3 Stud, Bracket (4)			* W710217 S439	\$7.00
4 Bolt, Mounting (a)			* W710824 S439	\$9.00
(a) As Required				
5 Mount, Right Eng				
Man Trans				
2WD	R	#1.3	5L8Z 6068 CA	\$60.83
4WD	R	#1.3	5L8Z 6068 DA	\$66.90
Auto Trans				
2WD	R	#1.3	5L8Z 6068 AE	\$68.86
4WD	R	#1.3	5L8Z 6068 BB	\$70.24
6 Brkt, Right Mount				
Man Trans	R	#1.3	5L8Z 6A023 BA	\$62.68
Auto Trans	R	#1.3	5L8Z 6A023 AA	\$52.23
#R&R Complete				
7 Bolt, Mount (a)			* W710173 S439	\$24.00
8 Stud, Mount (a)			* W709749 S439	\$8.00
(a) As Required				
9 Mount, Left Engine				
Man Trans	L	1.3	9L8Z 6P094 AA	\$97.40
Auto Trans	L	1.3	6L8Z 6P094 CA	\$149.98
10 Bolt, Mount (2)				
To 1-31-07			* W706899 S439	\$11.00
From 2-1-07			* W713325 S439	\$4.80
11 Plate, Upper Mount				

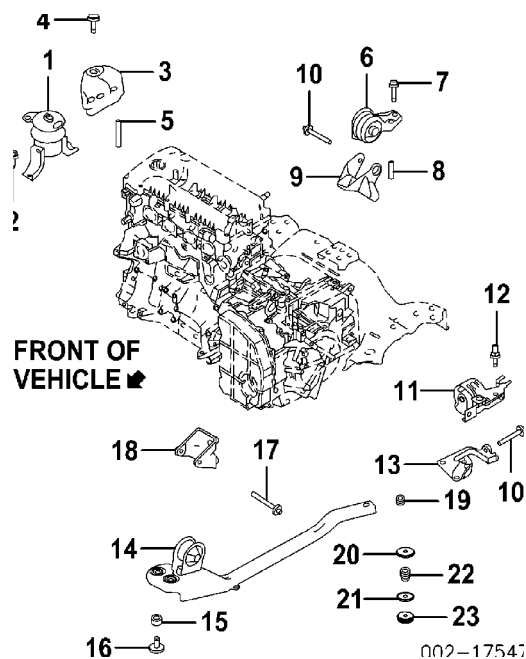
2009 Ford Escape Limited Utility

Man Trans			YL8Z 6B072 BA	\$22.21
Auto Trans			YL8Z 6B072 AA	\$24.43
12 Plate, Lower				
Man Trans			YL8Z 6B072 DA	\$22.68
Auto Trans			YL8Z 6B072 CA	\$20.62
13 Insulator, Upper			YL8Z 6A061 BB	\$29.67
14 Insulator, Lower			YL8Z 6A061 AB	\$26.97
15 Brkt, Left Eng Mount	L	#.3	5L8Z 6031 AA	\$47.32
#w/Mount Removed				
16 Bolt, Pivot			* W711268 S439	\$7.00
17 Bracket, Support			YL8Z 6L062 AA	\$55.80
18 Bushing, Mtg			YL8Z 6P018 AA	\$8.98
19 Mount, Trans				
Man Trans		#.9	5L8Z 6038 CA	\$72.29
Auto Trans		#.9	5L8Z 6038 BA	\$72.33
20 Brkt, Trans Mount				
Man Trans		#.9	5L8Z 6M007 BA	\$34.82
Auto Trans		#.9	5L8Z 6M007 AA	\$39.47

#R&R Complete

2.5L ENG

2009-10



n02-17547

1 Mount, Front Eng		#1.0	6L8Z 6068 CA	\$86.73
2 Bolt, Eng Mount (3)			* W500233 S439	\$4.50
3 Brkt, Eng Mount		#1.0	9L8Z 6061 A	\$59.98
#R&R Complete				
4 Bolt, Bracket				

2009 Ford Escape Limited Utility

		2009			
	To 12-1-08			* W710824 S439	\$9.00
	From 2-2-08			* W714723 S439	\$3.86
		2010		* W714723 S439	\$3.86
5	Stud, Bracket (3)			* W711574 S439	\$11.00
6	Mount, Upper Trans				
	Man Trans				
	2WD		#1.3	5L8Z 6068 CA	\$60.83
	Auto Trans				
	2WD		#1.3	5L8Z 6068 AE	\$68.86
	4WD		#1.3	9L8Z 6068 A	\$85.70
7	Bolt, Upper Mount			* W500743 S439	\$17.37
8	Stud, Mount (2)			* W709749 S439	\$8.00
9	Bracket, Upper Trans Mount				
	Man Trans		#1.3	5L8Z 6A023 BA	\$62.68
	Auto Trans		#1.3	9L8Z 6A023 A	\$52.43
	#R&R Complete				
10	Bolt, Pivot (2)			* W710173 S439	\$24.00
11	Mount, Rear Trans				
	Man Trans		#.9	5L8Z 6038 CA	\$72.29
	Auto Trans		#.9	5L8Z 6038 BA	\$72.33
12	Bolt, Rear Mount (4)			* W500233 S439	\$4.50
13	Brkt, Rear Mount				
	Man Trans		#.9	5L8Z 6M007 BA	\$34.82
	Auto Trans		#.9	9L8Z 6M007 A	\$42.15
	#R&R Complete				
14	Mount, Left Trans				
	Man Trans	L	1.3	9L8Z 6P094 AA	\$97.40
	Auto Trans	L	1.3	9L8Z 6P094 C	\$85.68
15	Spacer, Mount (2)	L		6L8Z 6A027 AA	\$5.68
				* W713325 S439	
16	Bolt, Left Transmission Mount (2)	L			\$4.80
17	Bolt, Pivot	L		* W711268 S439	\$7.00
18	Bracket, Left Trans Mount				
	Man Trans	L	#.3	5L8Z 6031 AA	\$47.32
	Auto Trans	L	#.3	9L8Z 6031 B	\$43.98
	#w/Mount Removed				
19	Bushing, Trans Mount			YL8Z 6P018 AA	\$8.98
20	Plate, Upper Mount				
	Man Trans			YL8Z 6B072 BA	\$22.21
	Auto Trans			YL8Z 6B072 AA	\$24.43
21	Plate, Lower				
	Man Trans			YL8Z 6B072 DA	\$22.68
	Auto Trans			YL8Z 6B072 CA	\$20.62
22	Insulator, Upper			YL8Z 6A061 BB	\$29.67



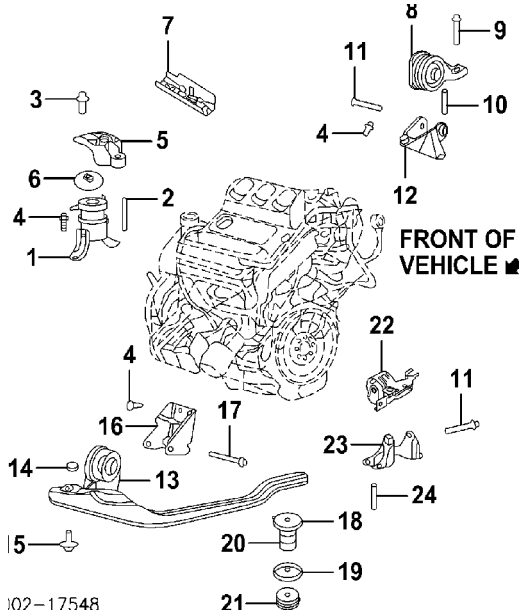
2009 Ford Escape Limited Utility

23 Insulator, Lower

YL8Z 6A061 AB

\$26.97

3.0L ENG



102-17548

1 Mount, Front Eng		#1.0	6L8Z 6068 AA	\$76.65
2 Stud, Frt Mounting				
Type 1			* W710134 S439	\$15.00
Type 2, (2)			* W710110 S439	\$21.00
Bolt, Front Mtg				
3 Upper			* W710824 S439	\$9.00
4 Lower, (3)			* W500233 S439	\$4.50
5 Brkt, Front Eng Mount		#1.0	5L8Z 6061 FB	\$63.02
#R&R Complete				
6 Cap, Mount			5L8Z 6E071 A	\$16.18
7 Bracket, Support			YL8Z 6L062 AA	\$55.80
8 Mount, Right Eng				
Man Trans				
2WD	R	#1.3	5L8Z 6068 CA	\$60.83
4WD	R	#1.3	5L8Z 6068 DA	\$66.90
Auto Trans				
2WD	R	#1.3	5L8Z 6068 AE	\$68.86
4WD	08 R	#1.3	5L8Z 6068 BB	\$70.24
	09-10 R	#1.3	9L8Z 6068 A	\$85.70
9 Bolt, Insulator			* W500743 S439	\$17.37
10 Stud, Mount (a)			* W709749 S439	\$8.00
11 Bolt, Pivot (a)			* W710173 S439	\$24.00
(a) As Required				
12 Brkt, Right Mount				
Man Trans	R	#1.3	5L8Z 6A023 BA	\$62.68

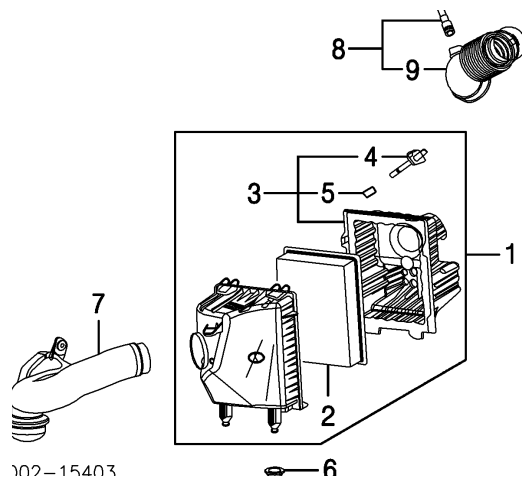
2009 Ford Escape Limited Utility

Auto Trans	08 R	#1.3	5L8Z 6A023 AA	\$52.23
	09-10 R	#1.3	9L8Z 6A023 A	\$52.43
#R&R Complete				
13 Mount, Left Engine				
Man Trans	L	1.3	9L8Z 6P094 AA	\$97.40
Auto Trans	L	1.3	6L8Z 6P094 CA	\$149.98
	L	1.3	9L8Z 6P094 C	\$85.68
14 Spacer (2)			6L8Z 6A027 AA	\$5.68
15 Bolt, Mount (2)				
	2008			
To 1-31-07	L		* W706899 S439	\$11.00
From 2-1-07	L		* W713325 S439	\$4.80
2009-10	L		* W713325 S439	\$4.80
16 Brkt, Left Eng Mount				
Man Trans	L	#.3	5L8Z 6031 AA	\$47.32
Auto Trans	L	#.3	5L8Z 6031 BA	\$47.32
	L	#.3	9L8Z 6031 A	\$42.15
#w/Mount Removed				
17 Bolt, Pivot			* W711268 S439	\$7.00
18 Plate, Upper Mount				
Man Trans			YL8Z 6B072 BA	\$22.21
Auto Trans			YL8Z 6B072 AA	\$24.43
19 Plate, Lower				
Man Trans			YL8Z 6B072 DA	\$22.68
Auto Trans			YL8Z 6B072 CA	\$20.62
20 Insulator, Upper			YL8Z 6A061 BB	\$29.67
21 Insulator, Lower			YL8Z 6A061 AB	\$26.97
22 Mount, Trans				
Man Trans		#1.0	5L8Z 6038 CA	\$72.29
Auto Trans		#1.0	5L8Z 6038 AA	\$72.33
23 Brkt, Trans Mount				
Man Trans		#1.0	5L8Z 6M007 BA	\$34.82
Auto Trans		08 #1.0	5L8Z 6M007 AA	\$39.47
		09-10 #1.0	9L8Z 6M007 A	\$42.15
#R&R Complete				
24 Stud, Trans Mount (4)			* W710217 S439	\$7.00

## AIR CLEANER

### 2.3L ENG

2008



107-15403

### R&I Air Cleaner Assy

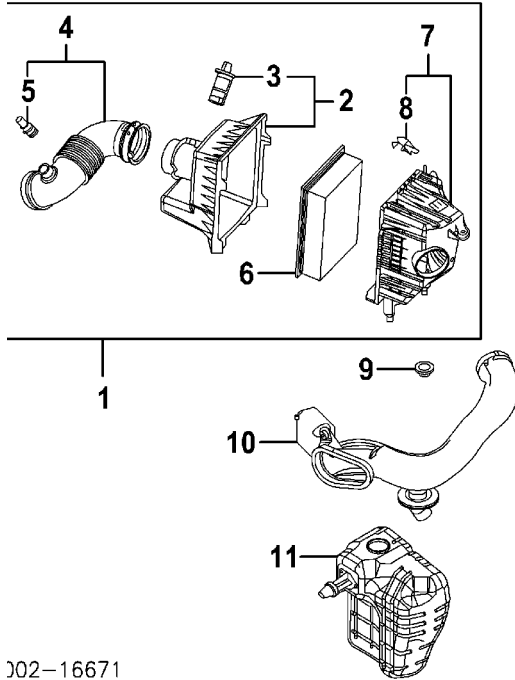
1 Cleaner Assy, Air			
Man Trans	.4	5L8Z 9600 AA	\$270.47
Auto Trans	.4	8L8Z 9600 CA	\$277.00
2 Element, Air Cleaner¶	.3	YL8Z 9601 AB	\$17.44
3 Body Assy, Air Cleaner¶	.4	5L8Z 9661 AA	\$196.85
4 Sensor, Air Flow (a)¶	.3	3L3Z 12B579 BA	\$244.91
5 Gskt, Sensor (a)¶		3L3Z 12B615 BA	\$10.22
¶Included w/Air Cleaner Assy			
(a) Included w/Air Cleaner Body Assy			
6 Grommet, Mtg (2)		3C3Z 9N608 AA	\$5.10
7 Hose, Air Inlet	.3	6L8Z 9F843 B	\$37.00
8 Hose Assy, Air Outlet	.2	5M6Z 9B659 AA	\$135.68
9 Hose, Air Outlet (b)			
Man Trans		5L8Z 9B659 AA	\$45.23
Auto Trans		8L8Z 9B659 A	\$32.85

(b) Included w/Air Outlet Hose Assy

### 2.5L ENG

2009-10

2009 Ford Escape Limited Utility



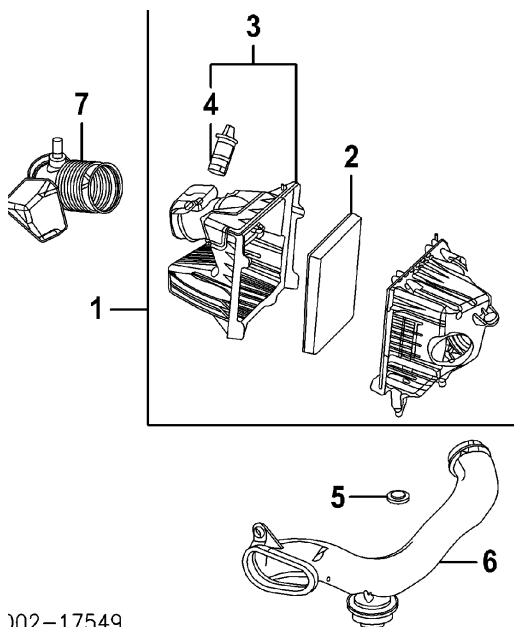
J02-16671			
<b>R&amp;I Air Cleaner Assy</b>			
1	Cleaner Assy, Air	.4	
	Man Trans	.4	9L8Z 9600 B \$299.03
	Auto Trans	.4	9L8Z 9600 C \$291.28
2	Cover Assy, Air Cleaner¶	.3	8L8Z 9661 C \$170.73
3	Sensor, Air Flow (a)¶	.3	3L3Z 12B579 BA \$244.91
(a) Included w/Air Cleaner Cover Assy			
4	Hose Assy, Air¶		
	Man Trans	.3	9L8Z 9B659 AC \$45.15
	Auto Trans	.3	9L8Z 9B659 D \$44.78
5	Connector, Hose (b)¶		4C2Z 9N285 AA \$29.50
(b) Included w/Air Hose Assy			
6	Element, Air Cleaner¶	.3	YL8Z 9601 AA \$20.78
7	Body Assy, Air Cleaner¶	.4	9L8Z 9A600 B \$54.85
8	Clamp, Air Cleaner (c) (d)¶		6M6Z 9628 AA \$9.40
¶Included w/Air Cleaner Assy			
(c) Included w/Air Cleaner Body Assy			
(d) As Required			
9	Grommet, Mtg (2)		3C3Z 9N608 AA \$5.10
10	Tube, Air Inlet	.3	9L8Z 9F843 A \$30.17

2009 Ford Escape Limited Utility

11 Resonator, Air  
3.0L ENG

.5 9L8Z 9F763 A \$71.30

2008



107-17549

**R&I Air Cleaner Assy**

- 1 Cleaner Assy, Air
- 2 Element, Air Cleaner¶
- 3 Body Assy, Air Cleaner¶
- 4 Sensor, Air Flow (a)¶

¶Included w/Air Cleaner Assy

(a) Included w/Air Cleaner Body Assy

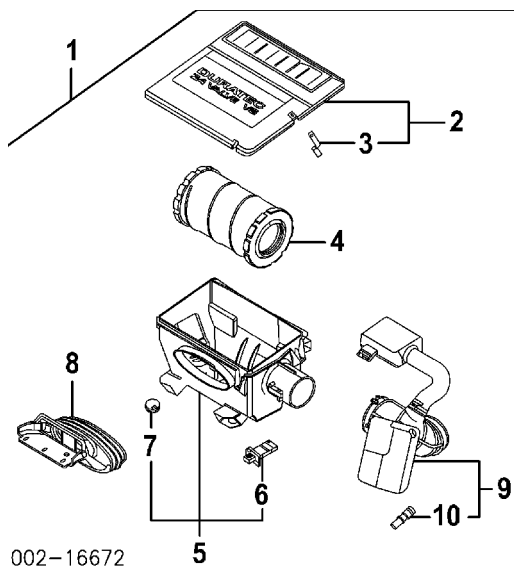
- 5 Grommet, Mtg (2)
- 6 Hose, Air Inlet
- 7 Hose, Air Outlet

3.0L ENG  
2009-10

- .4
- .4 8L8Z 9600 B \$238.33
- .3 YL8Z 9601 AA \$20.78
- .4 6L8Z 9661 B \$218.45
- .3 3L3Z 12B579 BA \$244.91

- 3C3Z 9N608 AA \$5.10
- .3 6L8Z 9F843 B \$37.00
- .2 8L8Z 9B659 B \$45.95

2009 Ford Escape Limited Utility



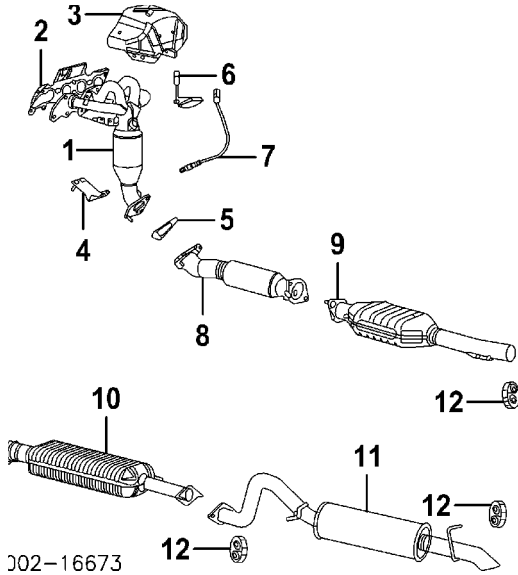
**R&I Air Cleaner Assy**

1 Cleaner Assy, Air	09	.5	9L8Z 9600 A	\$466.02
	10	.5	AL8Z 9600 A	\$392.50
2 Cover Assy, Air Cleaner¶		.2	9L8Z 9661 A	\$72.22
3 Clamp, Air Cleaner (a) (b)¶			7L1Z 9628 A	\$15.10
(a) Included w/Air Cleaner Cover Assy				
(b) As Required				
4 Element, Air Cleaner¶		.3	9L8Z 9601 A	\$40.31
5 Body Assy, Air Cleaner¶		.4	9L8Z 9A600 A	\$234.63
6 Sensor, Air Flow (c)¶		.3	3L3Z 12B579 BA	\$244.91
7 Insulator, Mtg (b) (c)¶			9L8Z 9P686 A	\$5.67
(b) As Required				
(c) Included w/Air Cleaner Body Assy				
8 Hose, Air¶		.3	9L8Z 9A675 B	\$44.13
9 Hose Assy, Outlet¶	09	.3	9L8Z 9B659 B	\$83.33
	10	.3	AL8Z 9B659 A	\$49.83
10 Connector, Hose (d)¶			4C2Z 9N285 AA	\$29.50
¶Included w/Air Cleaner Assy				
(d) Included w/Outlet Hose Assy				

# EXHAUST

2.3L ENG

2008



002-16673

R&I Exhaust System Complete

#1.8

R&R Exhaust System Complete

#2.4

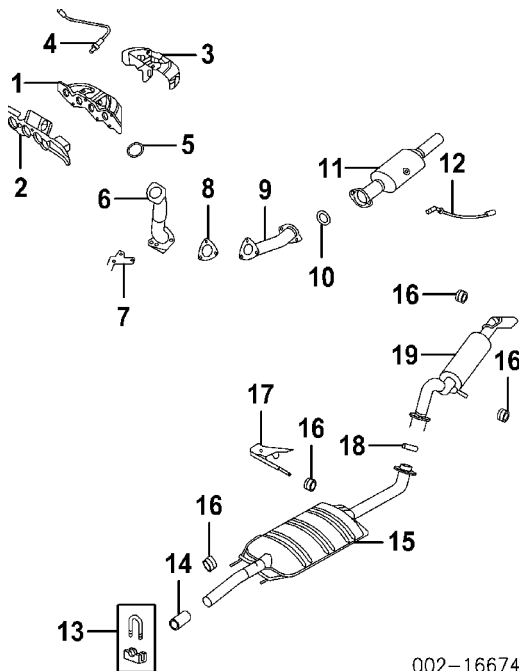
#Does Not Include R&R Exhaust Manifold or Cover

1	Manifold, Exhaust	2.7	5L8Z 5G232 A	\$699.97
2	Gskt, Manifold		9E5Z 9448 A	\$15.22
3	Shield, Manifold Heat	#.7	5L8Z 9N454 AA	\$93.48
<p>#Included in R&amp;R Exhaust Manifold</p>				
4	Brkt, Mounting		5L8Z 5A204 AA	\$18.67
5	Gskt, Flange		5L8Z 9450 AA	\$10.14
6	Sensor, Upper Oxygen-See Emission System Section			
7	Sensor, Lower Oxygen-See Emission System Section			
8	Pipe, Front	#1.0	8L8Z 5E256 A	\$347.81
9	Converter, Catalytic¶	#1.0	7L8Z 5E212 AA	\$583.33
<p>¶Order by Application #R&amp;R Both 1.6</p>				
10	Muffler, Front	.8	5L8Z 5230 BA	\$233.85

2009 Ford Escape Limited Utility

11 Muffler, Rear	.8	5L8Z 5A212 DA	\$238.78
12 Hanger, Muffler (a)		7L8Z 5F262 DA	\$15.48
(a) As Required			

2.5L ENG  
2009-10



002-16674

R&I Exhaust System Complete

#2.0

R&R Exhaust Complete

#2.4

#Does Not Include R&R Exhaust Manifold or Cover

1 Manifold, Exhaust	2.7	9L8Z 9430 A	\$162.35
2 Gskt, Manifold		9E5Z 9448 A	\$15.22
3 Shield, Heat	#.7	9L8Z 9N454 B	\$40.32

#Included in R&R Exhaust Manifold

4 Sensor, Upper Oxygen-See Emission System Section

5 Gskt, Flange		3S4Z 9450 EA	\$8.08
6 Pipe, Header	#1.3	9L8Z 9N497 A	\$106.65
7 Brkt, Pipe		5L8Z 5A204 AA	\$18.67
8 Gskt, Pipe		5L8Z 9450 AA	\$10.14
9 Pipe, Intermediate	#1.3	9L8Z 5E256 A	\$82.75

#R&R Complete

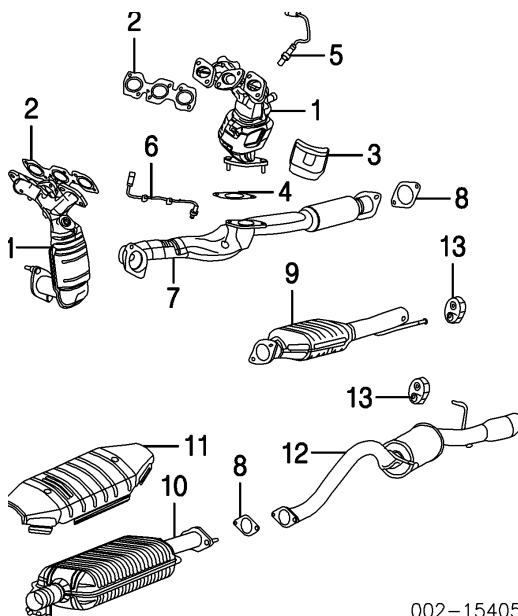


2009 Ford Escape Limited Utility

10 Gskt, Converter	9L8Z 5E241 A	\$25.05
11 Converter, Catalytic	1.0 9L8Z 5E212 C	\$620.25
12 Sensor, Lower Oxygen-See Emission System Section		
13 Clamp, Pipe (2)	9L8Z 5K272 B	\$14.74
14 Sleeve, Connector	9L8Z 5K256 B	\$153.00
15 Muffler, Front	.8 9L8Z 5230 F	\$330.96
16 Hanger, Exhaust (5)	9L8Z 5A262 A	\$6.86
17 Brkt, Muffler Hanger	9L8Z 5A204 A	\$37.10
18 Gskt, Muffler	9L8Z 5E241 A	\$25.05
19 Muffler, Rear	.8 9L8Z 5A212 A	\$298.48

3.0L ENG

2008



002-15405

R&I Exhaust System Complete

#2.4

R&R Exhaust System Complete

#2.8

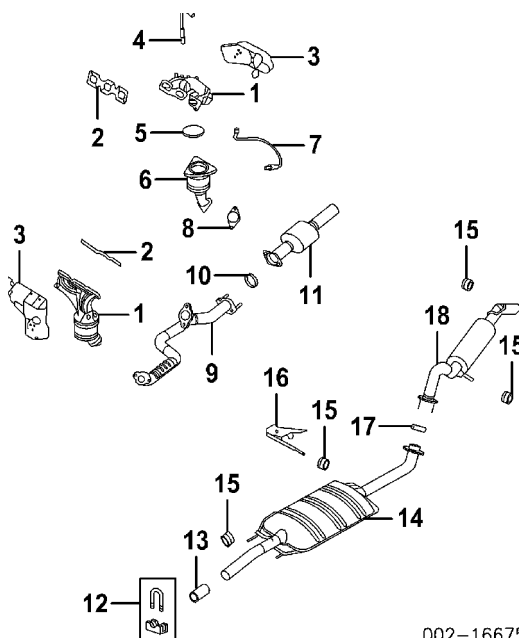
#Does Not Include R&R Exhaust Manifold or Cover

1 Manifold, Exhaust	R	#4.0	7L8Z 5G232 CA	\$1,016.90
	L	#2.0	8L8Z 5G232 AA	\$857.27
#R&R Both 5.0				
2 Gskt, Manifold	R		XW4Z 9448 AD	\$18.60
	L		XW4Z 9448 AD	\$18.60
3 Shield, Manifold Heat	R		YL8Z 5E258 AB	\$21.98

2009 Ford Escape Limited Utility

4	Gskt, Flange		5L8Z 9450 CA	\$13.83
5	Sensor, Upper Oxygen-See Emission System Section			
6	Sensor, Lower Oxygen-See Emission System Section			
7	Pipe, Front¶ ¶Order by Application	#1.3	8L8Z 5E256 AA	\$424.19
8	Gasket, Exhaust (a) (a) As Required		5L8Z 9450 CA	\$13.83
9	Converter, Catalytic To 4-25-07 From 4-26-07 #R&R Both 1.8	#1.0 #1.0	7L8Z 5E212 DA 8L8Z 5E212 D	\$791.67 \$625.00
10	Muffler, Front	.8	6L8Z 5230 B	\$246.09
11	Shield, Heat		YL8Z 5F223 AA	\$28.33
12	Muffler, Rear	.8	5L8Z 5A212 AC	\$223.85
13	Hanger, Exhaust (a)¶ ¶Order by Application (a) As Required		7L8Z 5F262 DA	\$15.48

3.0L ENG  
2009-10



R&I Exhaust System Complete

#2.4

R&R Exhaust System Complete

#2.8

2009 Ford Escape Limited Utility

#Does Not Include R&R Exhaust Manifold or Cover

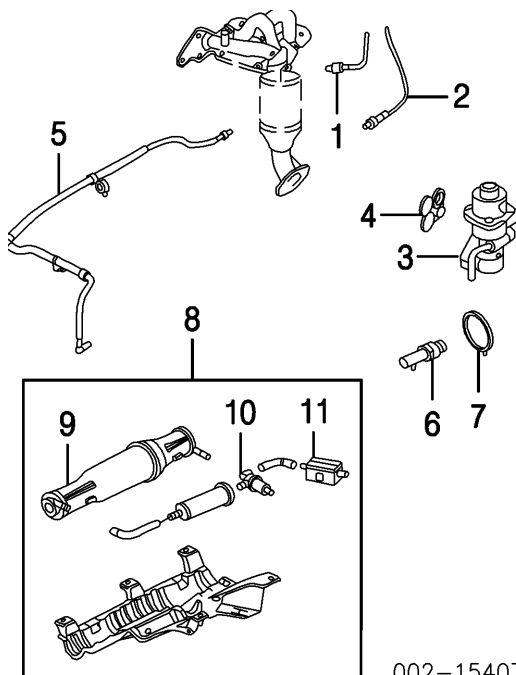
1	Manifold, Exhaust	09 R	#4.0	7E5Z 9430 BA	\$127.03
		L	#2.0	9L8Z 5G232 A	\$540.67
		10 R	#4.0	7E5Z 9430 BA	\$127.03
		L	#2.0	AL8Z 5G232 A	\$389.30
	#R&R Both 5.0				
2	Gskt, Manifold	R		XW4Z 9448 AD	\$18.60
		L		XW4Z 9448 AD	\$18.60
3	Shield, Manifold Heat	R		9L8Z 5E258 B	\$33.87
		L		9L8Z 5E258 A	\$32.20
4	Sensor, Upper Oxygen-See Emission System Section				
5	Seal, Converter	R		7E5Z 5F263 AA	\$9.73
6	Converter, Upper Catalytic	09 R	#1.6	9L8Z 5E212 A	\$583.33
		10 R	#1.6	AL8Z 5E212 B	\$416.67
	#Includes R&R Front Pipe				
7	Sensor, Lower Oxygen-See Emission System Section				
8	Gskt, Flange	R		9L8Z 9450 A	\$12.29
9	Pipe, Front		1.3	9L8Z 5E256 B	\$233.73
10	Gskt, Pipe			9L8Z 5E241 A	\$25.05
11	Converter, Lwr Catalytic	09	1.0	9L8Z 5E212 B	\$396.60
		10	1.0	AL8Z 5E212 A	\$475.40
12	Clamp, Pipe (2)			9L8Z 5K272 A	\$22.64
13	Sleeve, Connector			9L8Z 5K256 A	\$150.60
14	Muffler, Front		.8	9L8Z 5230 C	\$294.37
15	Hanger, Exhaust (5)			9L8Z 5A262 A	\$6.86
16	Brkt, Muffler Hanger			9L8Z 5A204 A	\$37.10
17	Gskt, Muffler			9L8Z 5E241 A	\$25.05
18	Muffler, Rear		.8	9L8Z 5A212 C	\$223.13

2009 Ford Escape Limited Utility

## EMISSION SYSTEM

2.3L ENG

2008



002-15407

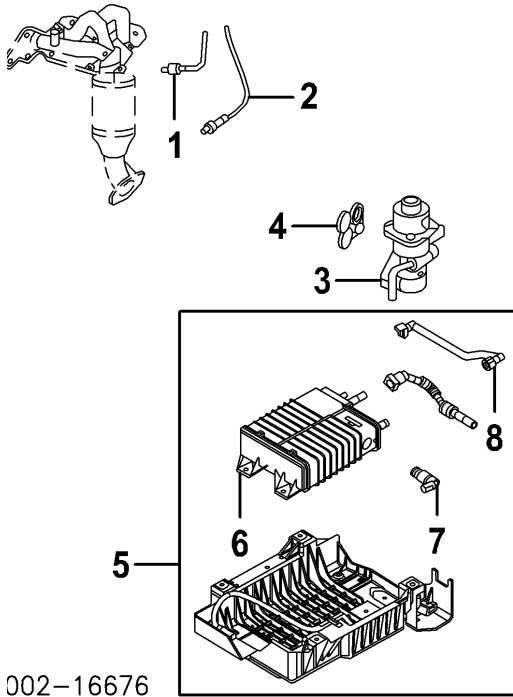
1 Sensor, Upper Oxygen	#.5	5L8Z 9F472 BA	\$133.24
2 Sensor, Lower Oxygen	#.5	5L8Z 9G444 A	\$123.42
#R&R Both .8			
3 Valve, EGR	1.2	1S7Z 9D475 AA	\$67.98
4 Gskt, EGR Valve		3S4Z 9D476 AD	\$34.84
5 Tube, EGR	#1.7	5L8Z 9E498 AA	\$29.32
#Includes R&R EGR Valve			
6 Tube, Connecting		1S7Z 9E470 AG	\$12.82
7 Seal, Tube-See Engine/Trans Section			
8 Canister Assy, Vapor	.8	5L8Z 9D653 BB	\$329.80
9 Canister, Vapor¶		7L8Z 9D653 D	\$158.73
10 Solenoid, Canister¶	.4	6L3Z 9F945 A	\$61.67
11 Separator, Vapor¶		XF2Z 9B328 AA	\$22.98

¶Included w/Vapor Canister Assy

2.5L ENG

2009-10

2009 Ford Escape Limited Utility

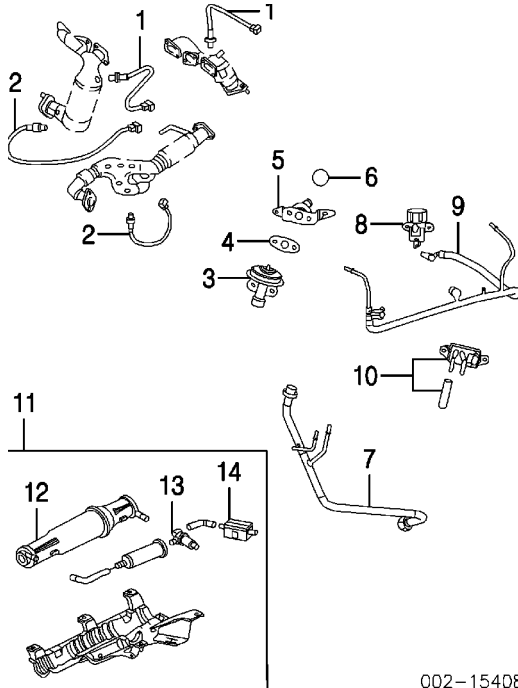


002-16676			
1 Sensor, Upper Oxygen	09 #.5	5L8Z 9F472 BA	\$133.24
	10 #.5	9E5Z 9F472 E	\$214.56
2 Sensor, Lower Oxygen	#.5	5L8Z 9G444 K	\$121.42
#R&R Both .8			
3 Valve, EGR	1.2	1S7Z 9D475 AA	\$67.98
4 Gskt, EGR Valve		1S7Z 9D476 AA	\$10.78
5 Canister Assy, Vapor	.8	9L8Z 9D653 D	\$278.42
6 Canister, Vapor			
	2009		
To 12-1-08		9R3Z 9C985 B	\$154.66
From 12-2-08 to 3-11-09		9R3Z 9C985 B	\$154.66
From 3-12-09		9R3Z 9C985 B	\$154.66
	2010		
7 Solenoid, Canister	.4	7U5Z 9F945 E	\$78.63
8 Hose, Canister		9L8Z 9K313 A	\$45.56

¶ Included w/Vapor Canister Assy

3.0L ENG

2009 Ford Escape Limited Utility



002-1540E

1 Sensor, Upper Oxygen	08 R	.8	5C5Z 9F472 AA	\$109.71
	L	.5	5C5Z 9F472 AA	\$109.71
2 Sensor, Lower Oxygen	09 R	.8	5L8Z 9F472 AA	\$101.87
	L	.5	5L8Z 9F472 AA	\$101.87
	10 R	.8	9E5Z 9F472 D	\$202.40
	L	.5	9E5Z 9F472 D	\$202.40
#R&R Both 1.4	08 R	#.8	5L8Z 9G444 F	\$98.69
	L	#.8	5L8Z 9G444 F	\$98.69
	09-10 R	#.8	5L8Z 9G444 A	\$123.42
	L	#.8	5L8Z 9G444 F	\$98.69
3 Valve, EGR	08	.8	XR1Z 9D475 BA	\$77.18
	09-10	.8	9L8Z 9D475 A	\$85.18
4 Gskt, EGR Valve	08		E6AZ 9D476 B	\$3.55
5 Connector, EGR Valve	08		YL8Z 9E470 CA	\$60.48
	09-10		9L8Z 9E470 B	\$59.98
6 Seal, Valve	08		YL8Z 9J469 AA	\$7.32
	09-10		9L8Z 9J469 A	\$8.30
7 Tube, EGR	08 #1.1		4L8Z 9D477 CA	\$47.65
	09-10 #1.1		9L8Z 9D477 A	\$21.30
#Includes R&R EGR Valve				
8 Valve, Vacuum	08		F63Z 9J459 AA	\$31.65
9 Hose, Vacuum	08		8L8Z 9E498 B	\$21.08
10 Valve, Recirculation	08		2L3Z 9J433 B	\$151.65
11 Canister Assy, Vapor	08	.8	5L8Z 9D653 BB	\$329.80

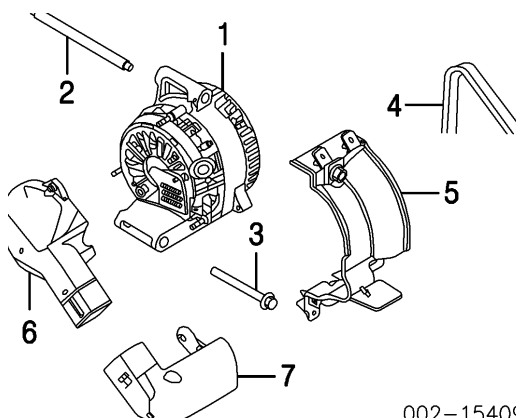
2009 Ford Escape Limited Utility

		09-10	.8 9L8Z 9D653 D	\$278.42
12 Canister, Vapor				
	2008		7L8Z 9D653 D	\$158.73
	2009			
	To 12-1-08		9R3Z 9C985 B	\$154.66
	From 12-2-08 to 3-11-09		9R3Z 9C985 B	\$154.66
	From 3-12-09		9R3Z 9C985 B	\$154.66
	2010		9R3Z 9C985 B	\$154.66
13 Solenoid, Canister		08	.4 6L3Z 9F945 A	\$61.67
		09-10	.4 7U5Z 9F945 E	\$78.63
14 Separator, Vapor		08	XF2Z 9B328 AA	\$22.98
Hose, Canister		09-10	9L8Z 9K313 A	\$45.56

¶ Included w/Vapor Canister Assy

**ELECTRICAL**  
**ALTERNATOR**  
**2.3L ENG**

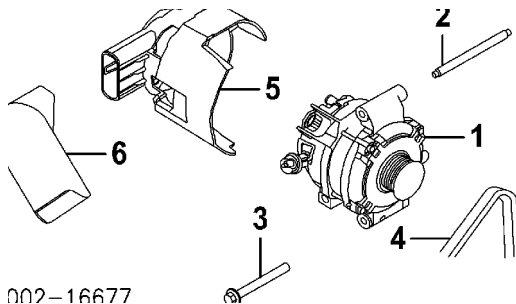
2008



002-15406

1 Alternator	2.0	8L8Z 10346 B	\$314.78
2 Stud, Mounting		* W712013 S439	\$5.25
3 Bolt, Mounting (2)		* W710886 S439	\$1.50
4 Belt, Drive-See Cooling Section			
5 Shield, Splash Duct, Air	#.5	8L8Z 10317 A	\$16.98
6 Upper #Included in R&R Alternator	#.4	5L8Z 10C392 CA	\$41.60
7 Lower	.3	5L8Z 10C392 DA	\$40.70

**ALTERNATOR**  
**2.5L ENG**  
**2009-10**



002-16677

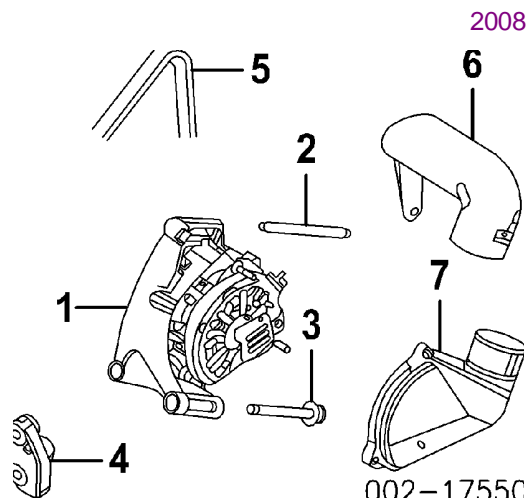
1 Alternator	2.0	8S4Z 10346 A	\$286.15
2 Stud, Mounting		* W712013 S439	\$5.25
3 Bolt, Mounting (2)		* W500131 S440	\$2.75
4 Belt, Drive-See Cooling Section Duct, Air			



2009 Ford Escape Limited Utility

5	Upper	#.4	8S4Z 10C392 B	\$26.35
	#Included in R&R Alternator			
6	Lower	.3	8S4Z 10C392 A	\$40.73

**ALTERNATOR**  
3.0L ENG



1	Alternator			
	To 3-3-08 (a)	2.8	8L8Z 10346 C	\$322.28
	From 3-4-08	2.8	8L8Z 10346 C	\$322.28

(a) Add'l Parts &/or Dealer Contact Required

2	Stud, Mounting		* W710416 S440	\$6.75
3	Bolt, Mounting (2)		* W709986 S437	\$3.50
4	Bracket, Mtg		4L8Z 10A313 AA	\$38.20

5 Belt, Drive-See A/C /Heater/Ventilation Section

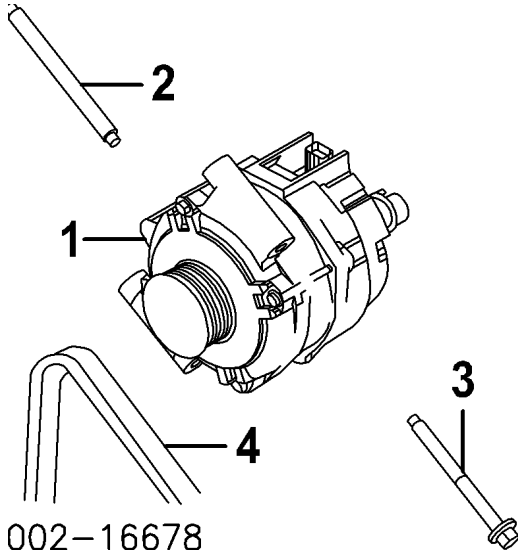
Duct, Air

6	Upper	#.4	5L8Z 10C392 BA	\$18.25
7	Lower	#.5	5L8Z 10C392 AA	\$27.98

#Included in R&R Alternator

**ALTERNATOR**  
3.0L ENG  
2009-10

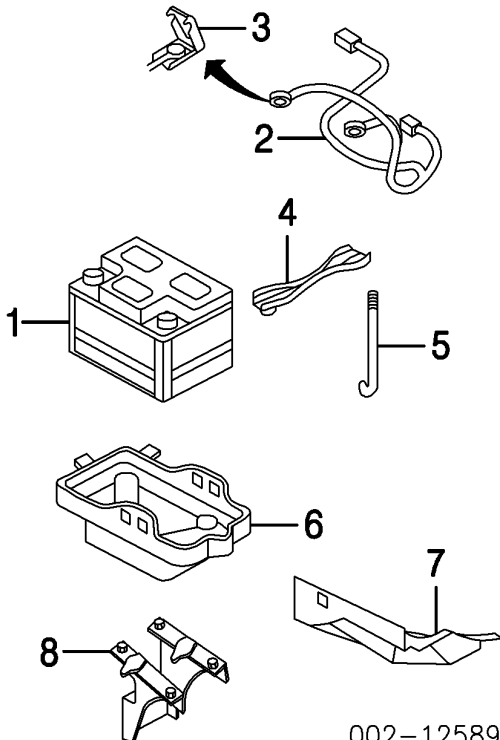
2009 Ford Escape Limited Utility



- 1 Alternator
- 2 Stud, Mounting (2)
- 3 Bolt, Mounting
- 4 Belt, Drive-See Cooling Section

2.8 9L8Z 10346 A	\$366.58
* W710416 S440	\$6.75
* W709986 S437	\$3.50

### BATTERY

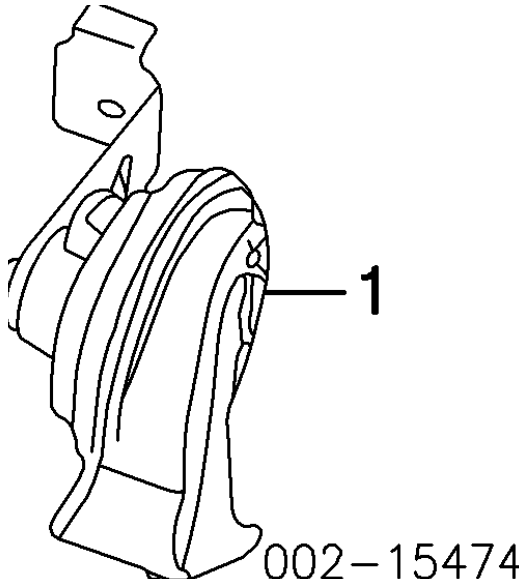


002-12589

2009 Ford Escape Limited Utility

1 Battery		.3	N.A.	
Cover, Battery			6L8Z 10A659 A	\$44.98
2 Cable Set, Battery				
2.3L Eng	08	.8	8L8Z 14300 AA	\$129.22
2.5L Eng				
Man Trans	09-10	.8	9L8Z 14300 CA	\$153.86
Auto Trans	09-10	.8	9L8Z 14300 AA	\$158.34
3.0L Eng	08	1.1	8L8Z 14300 BB	\$66.40
	09	1.1	9L8Z 14300 BA	\$81.86
	10	1.1	AL8Z 14300 BA	\$64.70
3 Cover, Terminal			N.A.	
4 Hold-Down, Battery			YL8Z 10718 AA	\$8.98
5 Bolt, Battery (2)			* W707139 S439	\$23.00
6 Tray, Battery	#.6		YL8Z 10732 BA	\$24.98
#Includes R&R Battery				
7 Supt, Upr Battery Tray			5L8Z 10769 AA	\$18.98
8 Supt, Lwr Battery Tray			9L8Z 10A666 A	\$25.22

HORN

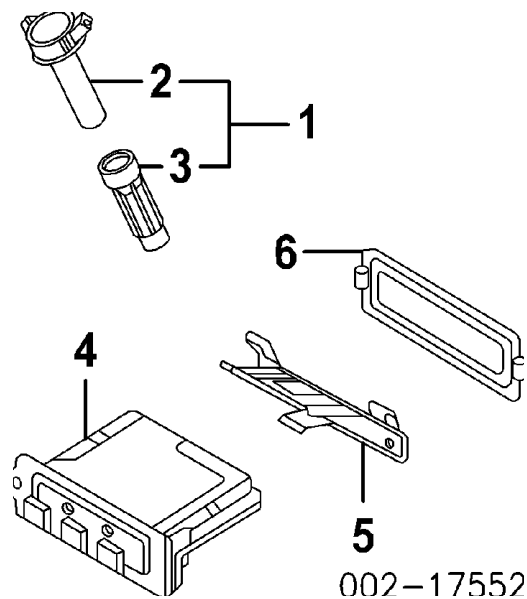


1 Horn				
	2008	#.3	9L8Z 13832 A	\$28.50
	2009			
To 12-1-08		#.3	9L8Z 13832 A	\$28.50
From 12-2-08				
Level 1		#.3	9L8Z 13832 B	\$44.48
Level 2		#.3	9L8Z 13832 C	\$49.10
	2010			
Level 1		#.3	9L8Z 13832 B	\$44.48
Level 2		#.3	9L8Z 13832 C	\$49.10

2009 Ford Escape Limited Utility

#w/Front Cover Assy Removed

IGNITION



R&R Ignition Coils Complete

2.3L Eng, 2.5L Eng

3.0L Eng

					.6	
				R	2.2	
				L	.6	
1	Coil Assy, Ignition					
	2.3L Eng, (4)		08	.3	4M5Z 12029 B	\$120.36
	2.5L Eng, (4)					
		2009				
	To 12-1-08			.3	9E5Z 12029 A	\$59.33
	From 12-2-08			.3	9E5Z 12029 B	
		2010		.3	9E5Z 12029 B	
	3.0L Eng, (3/Side)					
	2008-Serviced by Components					
	2009-10			R	1.6 6E5Z 12029 BA	\$96.20
				L	.3 6E5Z 12029 BA	\$96.20
2	Coil, Ignition (a)					
	2.3L, 2.5L Eng-Serviced w/Ignition Coil Assy					
	3.0L Eng, (3/Side)					
		2008		R	1.6 1L8Z 12029 AB	\$138.87
				L	.3 1L8Z 12029 AB	\$138.87
	2009-10-Serviced w/Ignition Coil Assy					

2009 Ford Escape Limited Utility

3 Boot, Ign Coil

2.3L Eng-Serviced w/Ignition Coil Assy

2.5L Eng, (4) (a)

3.0L Eng, (3/Side)

	09-10	9L8Z 14A402 A	
2008	R	4F1Z 12A402 AA	\$20.00
	L	4F1Z 12A402 AA	\$20.00

2009-10-Serviced w/Ignition Coil Assy

(a) Included w/Ignition Coil Assy

4 Module, Engine Control

Order by Application

.6	8L8Z 12A650 AZA	\$773.89
----	-----------------	----------

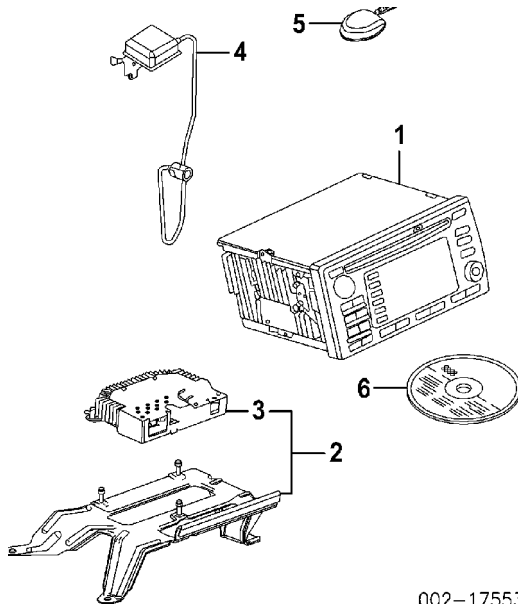
5 Bracket, Module

08	5U7Z 12A659 AA	\$122.50
09-10	9L8Z 12A659 A	\$19.08

6 Seal, Module

08	5L8Z 12A696 AA	\$22.67
09-10	7L1Z 12A696 A	\$6.38

NAVIGATION SYSTEM



002-17553

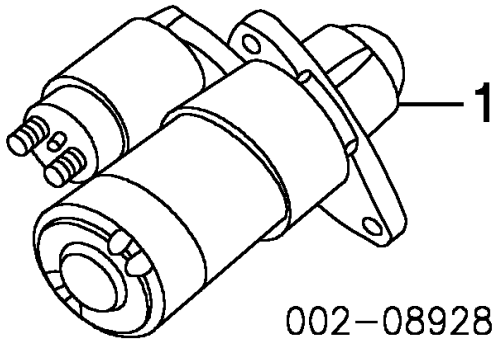
1 Display/Radio, Navigation

	2008		
To 10-6-07		.8	8L8Z 18K931 AE
From 10-7-07		.8	8L8Z 18K931 AF
	2009		
To 12-1-08		.8	9L8Z 18K931 A
From 12-2-08		.8	9L8Z 18K931 BA
	2010		
To 9-21-09		.8	9L8Z 18K931 BA

2009 Ford Escape Limited Utility

	From 9-22-09		.8	AL8Z 18K931 AA	
2	Amplifier Assy, Power	09		9L8Z 18B849 A	\$70.73
		10		AL8Z 18B849 A	\$69.79
3	Amplifier, Power¶	09-10		AR3Z 18B849 C	\$209.14
	¶Included w/Power Amplifier Assy				
	Antenna, GPS				
4		2008	1.2	8L8Z 10E893 A	\$127.00
5	2009-10-See Roof Section				
6	Disc, Navigation			N.A.	

**STARTER**



1	Starter				
	2.3L Eng	08	.9	6S4Z 11002 AA	\$254.88
	2.5L Eng	09-10	.9	6S4Z 11002 AA	\$254.88
	3.0L Eng		1.8	5L8Z 11002 AA	\$280.37



2009 Ford Escape Limited Utility

w/Rear View Camera				
w/Microphone		.2	8U5Z 17700 T	\$904.22
w/o Microphone		.2	8U5Z 17700 V	
w/o Rear View Camera				
w/Microphone		.2	9U5Z 17700 C	\$239.55
w/o Microphone		.2	8U5Z 17700 U	\$166.97
6 Compass		.2	6L2Z 19A548 A	\$37.40
7 Garnish Assy, Windshield				
Black	08 R	.2	8L8Z 7803598 AA	\$23.40
	L	.2	8L8Z 7803599 AA	\$39.02
	09-10 R	.2	9L8Z 7803598 AA	\$63.28
	L	.2	9L8Z 7803599 AA	\$52.65
Camel, Stone	08 R	.2	8L8Z 7803598 AB	\$17.50
	L	.2	8L8Z 7803599 AB	\$39.02
	09-10 R	.2	9L8Z 7803598 AB	\$63.28
	L	.2	9L8Z 7803599 AB	\$63.28
8 Clip, Garnish (a) (b)				
Type 1	R	*	W711146 S439	\$1.75
	L	*	W711146 S439	\$1.75
Type 2	R	*	W710438 S300	\$3.75
	L	*	W710438 S300	\$3.75
(a) Included w/Windshield Garnish Assy				
(b) As Required				
9 Handle, Assist				
Black	09-10 R	.2	9L8Z 7831406 AA	\$40.07
Camel, Stone	09-10 R	.2	9L8Z 7831406 AB	\$40.07
10 Cover, Handle				
Upper				
Black	09-10 R		9L8Z 7831458 AA	\$5.07
Camel, Stone	09-10 R		9L8Z 7831458 AB	\$5.07
Lower				
Black	09-10 R		9L8Z 7831458 BA	\$5.07
Camel, Stone	09-10 R		9L8Z 7831458 BB	\$5.07
11 Visor Assy, Sun				

2008

To 12-3-07				
Illuminated				
Black	R	.2	8L8Z 7804104 DC	\$118.62
	L	.2	8L8Z 7804105 DC	\$107.82
Camel, Stone	R	.2	8L8Z 7804104 DD	\$98.85
	L	.2	8L8Z 7804105 DD	\$109.72
Non-Illuminated				
Black	R	.2	8L8Z 7804104 AC	\$64.92
	L	.2	8L8Z 7804105 CC	\$72.23



2009 Ford Escape Limited Utility

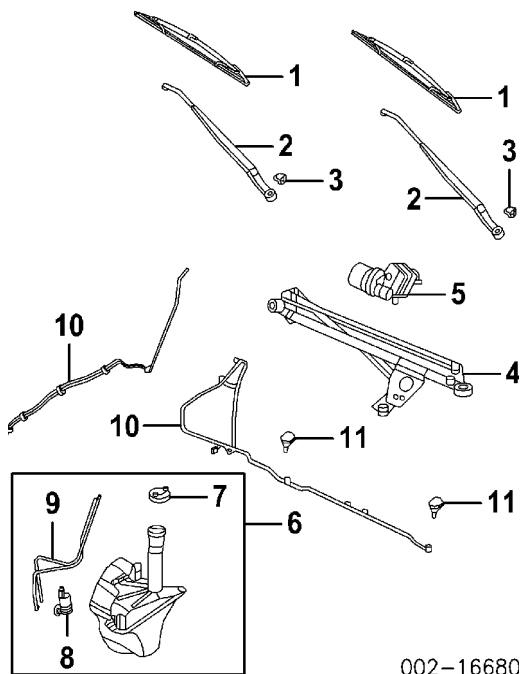
Camel, Stone	R	.2	8L8Z 7804104 AD	\$69.30
	L	.2	8L8Z 7804105 CD	\$63.70
From 12-4-07				
Illuminated				
Black	R	.2	9L8Z 7804104 BA	\$91.15
	L	.2	9L8Z 7804105 DA	\$99.82
Camel, Stone	R	.2	9L8Z 7804104 BB	\$91.15
	L	.2	9L8Z 7804105 DB	\$99.82
Non-Illuminated				
Black	R	.2	9L8Z 7804104 AA	\$65.87
	L	.2	9L8Z 7804105 CA	\$65.67
Camel, Stone	R	.2	9L8Z 7804104 AB	\$67.02
	L	.2	9L8Z 7804105 CB	\$58.03
			2009	
Illuminated				
Black	R	.2	9L8Z 7804104 BA	\$91.15
	L	.2	9L8Z 7804105 DA	\$99.82
Camel, Stone	R	.2	9L8Z 7804104 BB	\$91.15
	L	.2	9L8Z 7804105 DB	\$99.82
Non-Illuminated				
Black	R	.2	9L8Z 7804104 AA	\$65.87
	L	.2	9L8Z 7804105 CA	\$65.67
Camel, Stone	R	.2	9L8Z 7804104 AB	\$67.02
	L	.2	9L8Z 7804105 CB	\$58.03
			2010	
Illuminated				
w/Sunroof				
w/GDO				
Black	R	.2	AL8Z 7804104 DA	\$77.50
	L	.2	AL8Z 7804105 JA	\$245.90
Camel, Stone	R	.2	AL8Z 7804104 DB	\$78.87
	L	.2	AL8Z 7804105 JB	\$252.27
w/o GDO				
Black	R	.2	AL8Z 7804104 DA	\$77.50
	L	.2	AL8Z 7804105 DA	\$79.40
Camel, Stone	R	.2	AL8Z 7804104 DB	\$78.87
	L	.2	AL8Z 7804105 DB	\$79.40
w/o Sunroof				
w/GDO				
Black	R	.2	AL8Z 7804104 AA	\$77.62
	L	.2	AL8Z 7804105 GA	\$252.27
Camel, Stone	R	.2	AL8Z 7804104 AB	\$78.87
	L	.2	AL8Z 7804105 GB	\$252.27
w/o GDO				
Black	R	.2	AL8Z 7804104 AA	\$77.62
	L	.2	AL8Z 7804105 AA	\$79.93

2009 Ford Escape Limited Utility

Camel, Stone	R	.2 AL8Z 7804104 AB	\$78.87
	L	.2 AL8Z 7804105 AB	\$79.93
Non-Illuminated			
Black	R	.2 AL8Z 7804104 GA	
	L	.2 AL8Z 7804105 NA	
Camel, Stone	R	.2 AL8Z 7804104 GB	\$54.65
	L	.2 AL8Z 7804105 NB	\$56.88
		F3XY 13466 D	
Bulb, Vanity Lamp (2/Side) (c)	R		\$4.10
	L	F3XY 13466 D	\$4.10
(c) Included w/Sun Visor Assy			
12 Retainer Assy, Visor			
2008-09			
Black	R	8L8Z 7804132 AA	\$7.17
	L	8L8Z 7804132 AA	\$7.17
Camel, Stone	R	8L8Z 7804132 AB	\$7.17
	L	8L8Z 7804132 AB	\$7.17
2010			
Illuminated Visor			
Black	R	AL8Z 7804132 AA	\$7.37
	L	AL8Z 7804132 AA	\$7.37
Camel, Stone	R	AL8Z 7804132 AB	\$7.37
	L	AL8Z 7804132 AB	\$7.37
Non-Illuminated Visor			
Black	R	8L8Z 7804132 AA	\$7.17
	L	8L8Z 7804132 AA	\$7.17
Camel, Stone	R	8L8Z 7804132 AB	\$7.17
	L	8L8Z 7804132 AB	\$7.17
13 Clip, Retainer (c)	R	* W710572 S430	\$4.68
	L	* W710572 S430	\$4.68
(c) Included w/Visor Retainer Assy			

WIPER SYSTEM

2009 Ford Escape Limited Utility



002-16680

1 Blade, Wiper		R	.1	8L8Z 17528 D	\$20.91
		L	.1	8L8Z 17528 D	\$20.91
2 Arm, Wiper		R	#.2	9L8Z 17526 A	\$23.08
		L	#.2	9L8Z 17527 A	\$25.25
#Includes R&R Wiper Blade					
3 Nut, Wiper Arm		R		* W710827 S901	\$3.00
		L		* W710827 S901	\$3.00
4 Link, Wiper			#.8	9L8Z 17566 A	\$191.35
5 Motor, Wiper					
	2008		#.8	8L8Z 17508 C	\$167.96
	2009				
	To 12-1-08		#.8	8L8Z 17508 C	\$167.96
	From 12-2-08		#.8	8L3Z 17508 B	\$136.07
	2010		#.8	8L3Z 17508 B	\$136.07
#R&R Complete, Includes R&I/R&R Wiper Arm					
6 Reservoir Assy, Washer			#.8	8L8Z 17618 A	\$64.98
#Includes R&R Right Fender Liner & Washer Pump					
7 Cap, Reservoir (a)				8L8Z 17632 A	\$4.98
8 Pump, Washer (a)				8L8Z 17664 A	\$39.82
9 Hose, Reservoir (a)				8L8Z 17A605 B	\$12.13

(a) Included w/Washer Reservoir Assy

2009 Ford Escape Limited Utility

10 Hose, Washer

No. 1

8L8Z 17408 B \$18.98

No. 2

8L8Z 17K605 A \$14.98

11 Nozzle, Washer

R #.2

8L8Z 17603 AA \$4.98

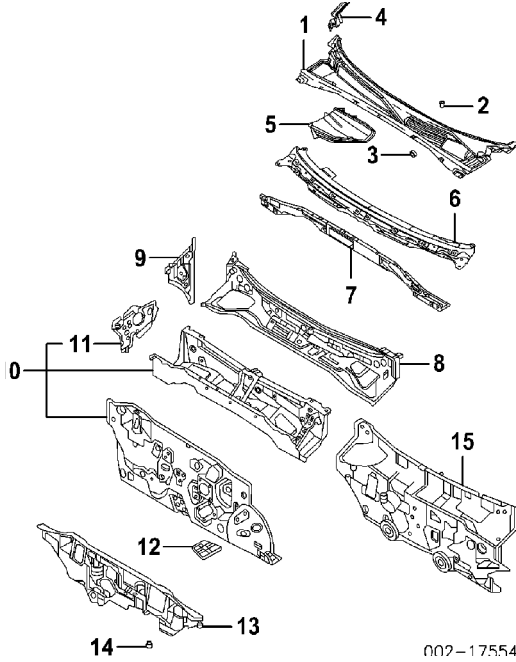
L #.2

8L8Z 17603 AA \$4.98

#Included in R&R Hood

## COWL & DASH

Procedures 14 and 28



Refinish Dash Panel Assy	2.0
Refinish Cowl Panel	1.2
R&I Cowl Grille	#.6

#Includes R&I/R&R Wiper Arms, Included in R&I/R&R Windshield

1 Grille, Cowl	#.6	8L8Z 78022A68 AA	\$106.17
----------------	-----	------------------	----------

#Includes R&I/R&R Wiper Arms, Included in R&I/R&R Windshield

2 Rivet, Cowl Grille (a)		* W705845 S300	\$1.75
3 Retainer, Grille (a)		F1CZ 5802316 A	\$2.61
(a) As Required			
4 Grille, Side	R	8L8Z 78018A16 AA	\$15.50
	L	8L8Z 78018A17 AA	\$16.38
5 Cover, Side	R	8L8Z 78211A70 A	\$67.62
6 Panel, Outer Cowl Top	#3.0	YL8Z 7802012 AA	\$101.50
7 Panel, Inner Cowl Top	08 #3.0	8L8Z 7802012 A	\$92.82
	09 #3.0	9L8Z 7802012 A	\$88.03
	10 #3.0	AL8Z 7802012 A	\$73.43

#R&R Complete

8 Panel, Cowl	08	7.5	8L8Z 78016A50 A	\$158.92
	09-10	7.5	9L8Z 78016A50 A	\$229.42

2009 Ford Escape Limited Utility

9 Panel, Otr Side Cowl-See Rocker/Pillars/Floor Section

10 Panel Assy, Dash	08 #15.0	8L8Z 7801610 B	\$601.53
	09 #15.0	9L8Z 7801610 A	\$440.72
	10 #15.0	AL8Z 7801610 A	\$662.63

#Includes R&R Outer Cowl Panel

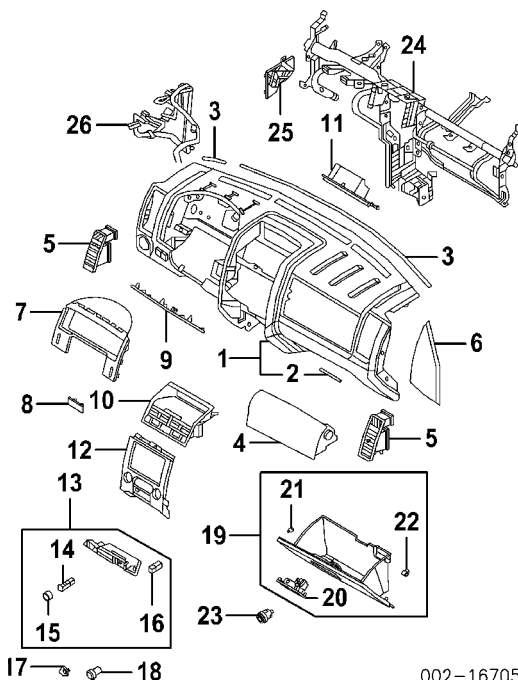
11 Panel, Side Dash (b)	R	1.0 YL8Z 7802038 BA	\$50.88
	L	1.0 YL8Z 7802039 BA	\$42.50

(b) Included w/Dash Panel Assy

12 Cover, Dash		YL8Z 78016W00 AA	\$6.17
13 Insulator, Outer Dash		AL8Z 7801588 A	\$46.00
14 Retainer, Insulator (3)		YL8Z 7801691 AA	\$3.07
15 Insulator, Inner Dash	08	8L8Z 7801670 B	\$197.18
	09-10	9L8Z 7801670 A	\$166.60

## INSTRUMENT PANEL

### Procedure 14



002-16705

#### R&I Instrument Panel

4.8

NOTE: All Parts in this section are included in R&R Instrument Panel unless noted otherwise.

1	Panel Assy, Instrument			
	Black		7.8	8L8Z 7804320 AC \$1,164.38
	Camel		7.8	8L8Z 7804320 AB \$1,009.30
	Stone		7.8	8L8Z 7804320 AD \$969.43
2	Striker, Glove Box¶		.2	8L8Z 7806064 A \$8.18
	¶Included w/Instrument Panel Assy			
3	Seal, Instrument Panel	R		8L8Z 78046B80 A \$5.77
		L		8L8Z 78046B80 B \$4.57
4	Module Assy, Passenger Air Bag-See Air Bag System Section			
5	Grille, Outer Vent			
	XLS, XLT Model			
	Black	R	.2	8L8Z 19893 AC \$41.93
		L	.2	8L8Z 19893 AF \$41.93
	Camel	R	.2	8L8Z 19893 AE \$41.93
		L	.2	8L8Z 19893 AH \$41.87
	Stone	R	.2	8L8Z 19893 AD \$41.80

2009 Ford Escape Limited Utility

	L	.2	8L8Z 19893 AG	\$38.70
Limited Model				
Black	R	.2	8L8Z 19893 BA	\$48.97
	L	.2	8L8Z 19893 BB	\$40.98
Camel	R	.2	8L8Z 19893 BD	\$40.98
	L	.2	8L8Z 19893 BF	\$40.98
6 Panel, Side Finish				
Black	R	.1	8L8Z 7804480 AC	\$14.87
	L	.1	8L8Z 7804481 AC	\$15.53
Camel	R	.1	8L8Z 7804480 AB	\$14.87
	L	.1	8L8Z 7804481 AB	\$15.53
Stone	R	.1	8L8Z 7804480 AA	\$15.53
	L	.1	8L8Z 7804481 AA	\$14.87
7 Panel, Cluster Trim				
Black				
XLT Model		.3	8L8Z 78044D70 AF	\$138.97
Limited Model		.3	8L8Z 78044D70 AC	\$160.17
Camel		.3	8L8Z 78044D70 AB	\$138.97
Stone		.3	8L8Z 78044D70 AD	\$138.97
8 Cover, Hole				
Black			8L8Z 78044D82 AC	\$8.02
Camel			8L8Z 78044D82 AB	\$9.62
Stone			8L8Z 78044D82 AA	\$9.27
9 Panel, Lower Instrument				
Black		.3	8L8Z 7804459 AC	\$38.83
Camel		.3	8L8Z 7804459 AB	\$38.83
Stone		.3	8L8Z 7804459 AA	\$38.83
10 Panel, Upr Inst Trim				
XLS Model		.3	8L8Z 78042A82 AA	\$116.17
XLT Model				
	2008	.3	8L8Z 78042A82 BA	\$124.45
	2009			
To 12-1-08		.3	8L8Z 78042A82 BA	\$124.45
From 12-2-08		.3	8L8Z 78042A82 CA	\$208.93
	2010	.3	8L8Z 78042A82 CA	\$208.93
Limited Model		.3	8L8Z 78042A82 CA	\$208.93
11 Cover, Opening			8L8Z 78017A26 A	\$35.08
12 Panel, Lwr Inst Trim				
XLS Model	08	.3	8L8Z 7804302 AA	\$69.38
	09	.3	9L8Z 7804302 AA	\$82.72
	10	.3	AL8Z 7804302 AA	\$55.03
XLT Model				
w/Navigation System	08	.3	8L8Z 7804302 CA	\$58.00
	09-10	.3	9L8Z 7804302 CA	\$49.72
w/o Navigation System	08	.3	8L8Z 7804302 BA	\$61.15
	09	.3	9L8Z 7804302 BA	\$71.27



2009 Ford Escape Limited Utility

		10	.3 AL8Z 7804302 BA	\$68.57
Limited Model				
w/Navigation System		08	.3 8L8Z 7804302 EA	\$97.17
		09-10	.3 9L8Z 7804302 EA	\$84.72
w/o Navigation System		08	.3 8L8Z 7804302 DA	\$113.12
		09	.3 9L8Z 7804302 DA	\$109.58
		10	.3 AL8Z 7804302 DA	\$95.80
13 Panel Assy, Lower Finish				
XLS Model				
	2008			
w/Smokers Pkg			.2 8L8Z 7804608 DA	\$65.97
w/o Smokers Pkg			.2 8L8Z 7804608 AA	\$59.75
2009-10				
w/Sync System				
w/Smokers Pkg			.2 9L8Z 7804608 AT	\$69.92
w/o Smokers Pkg			.2 9L8Z 7804608 AQ	\$77.53
w/o Sync System				
w/Smokers Pkg			.2 9L8Z 7804608 AG	\$69.92
w/o Smokers Pkg			.2 9L8Z 7804608 AA	\$77.53
XLT Model				
	2008			
w/Smokers Pkg			.2 8L8Z 7804608 EA	\$67.63
w/o Smokers Pkg			.2 8L8Z 7804608 BA	\$61.42
2009-10				
w/Sync System				
w/Rear Object Sensors				
w/Smokers Pkg			.2 9L8Z 7804608 AL	\$71.18
w/o Smokers Pkg			.2 9L8Z 7804608 AH	\$66.28
w/o Rear Object Sensors				
w/Smokers Pkg			.2 9L8Z 7804608 AU	\$71.18
w/o Smokers Pkg			.2 9L8Z 7804608 AR	\$66.28
w/o Sync System				
w/Rear Object Sensors				
w/Smokers Pkg			.2 9L8Z 7804608 AP	\$71.18
w/o Smokers Pkg			.2 9L8Z 7804608 AE	\$66.28
w/o Rear Object Sensors				
w/Smokers Pkg			.2 9L8Z 7804608 AK	\$71.18
w/o Smokers Pkg			.2 9L8Z 7804608 AB	\$79.42
Limited Model				
	2008			
w/Smokers Pkg			.2 8L8Z 7804608 FA	\$90.28
w/o Smokers Pkg			.2 8L8Z 7804608 CA	\$81.80

2009 Ford Escape Limited Utility

2009-10

w/Sync System

w/Rear Object Sensors

w/Smokers Pkg	.2 9L8Z 7804608 AM	\$94.52
w/o Smokers Pkg	.2 9L8Z 7804608 AJ	\$104.28

w/o Rear Object Sensors

w/Smokers Pkg	.2 9L8Z 7804608 AV	\$94.52
w/o Smokers Pkg	.2 9L8Z 7804608 AS	\$104.28

w/o Sync System

w/Rear Object Sensors

w/Smokers Pkg	.2 9L8Z 7804608 AD	\$94.52
w/o Smokers Pkg	.2 9L8Z 7804608 AF	\$86.90

w/o Rear Object Sensors

w/Smokers Pkg	.2 9L8Z 7804608 AN	\$94.52
w/o Smokers Pkg	.2 9L8Z 7804608 AC	\$104.28

14 Socket, Power (a)

w/Smokers Pkg	6W7Z 15055 A	\$11.59
w/o Smokers Pkg	1L2Z 19N236 BA	\$12.00

15 Ring, Socket (a)

w/Smokers Pkg	1L2Z 15K040 AA	\$14.17
w/o Smokers Pkg	6L2Z 15K040 A	\$14.39

16 Jack, Aux Audio (a)

8L8Z 19A164 A	\$98.89
---------------	---------

(a) Included w/Lower Finish Panel Assy

17 Cover, Socket

7L7Z 19A487 BA	\$6.13
----------------	--------

18 Element, Lighter

1F2Z 15052 AA	\$10.10
---------------	---------

19 Box Assy, Glove

Black	.4 8L8Z 7806024 AC	\$121.92
Camel	.4 8L8Z 7806024 AB	\$106.62
Stone	.4 8L8Z 7806024 AA	\$127.38

20 Latch, Glove Box (c)

Black	.2 6L2Z 1006072 AAC	\$17.93
Camel	.2 6L2Z 1006072 AAB	\$17.93
Stone	.2 6L2Z 1006072 AAA	\$17.93

21 Bumper, Glove Box (c) (d)

Type 1	* W705316 S300	\$2.25
Type 2	* W709977 S300	\$2.00

(d) As Required

22 Check, Door (c)

R	YS4Z 6106066 AA	\$8.40
L	YS4Z 6106066 AA	\$8.40

2009 Ford Escape Limited Utility

(c) Included w/Glove Box Assy

23 Cylinder, Glove Box Lock		.2	F8DZ 5406082 AB	\$43.07
24 Reinf, Instrument Panel		#.8	8L8Z 7804545 A	\$367.22

#w/Instrument Panel Removed, Not Included in R&R Instrument Panel

25 Shield, Side

2008

To 12-3-07

Black	R		8L8Z 78045G02 AF	\$11.08
Camel	R		8L8Z 78045G02 AE	\$11.08
Stone	R		8L8Z 78045G02 AD	\$13.30

From 12-4-07

Black	R		8L8Z 78045G02 AJ	\$16.48
Camel	R		8L8Z 78045G02 AH	\$13.73
Stone	R		8L8Z 78045G02 AG	\$13.73

2009-10

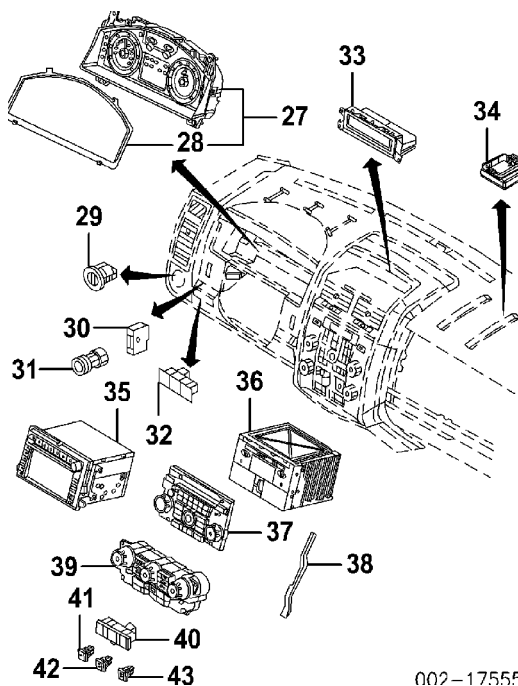
Black	R		8L8Z 78045G02 AJ	\$16.48
Camel	R		8L8Z 78045G02 AH	\$13.73
Stone	R		8L8Z 78045G02 AG	\$13.73

26 Harness, Instrument Panel (d)		08 #	8L8Z 14401 AA	\$209.25
		09 #	9L8Z 14401 AA	\$203.82
		10 #	AL8Z 14401 AA	\$188.92

(d) Order by Application

#Not Included in R&R Instrument Panel

2009 Ford Escape Limited Utility



002-1755F

27 Cluster Assy, Instrument

USA

w/Message Center

2008

To 4-2-07

1.0 8L8Z 10849 D \$352.31

From 4-3-07 to 12-3-07

1.0 8L8Z 10849 R \$352.31

From 12-4-07

1.0 8L8Z 10849 KD \$352.31

2009

To 12-1-08

1.0 9L8Z 10849 C \$349.23

From 12-2-08

1.0 9L8Z 10849 GA \$349.23

2010

1.0 AL8Z 10849 GA \$321.54

w/o Message Center

2008

To 4-2-07

1.0 8L8Z 10849 A \$369.23

From 4-3-07

1.0 8L8Z 10849 J \$369.23

2009

To 12-1-08

1.0 9L8Z 10849 A \$341.54

From 12-2-08

1.0 9L8Z 10849 EA \$341.54

2010

1.0 AL8Z 10849 AA \$310.77

Canada

w/Message Center

2008

To 12-3-07

1.0 8L8Z 10849 E \$352.31

2009 Ford Escape Limited Utility

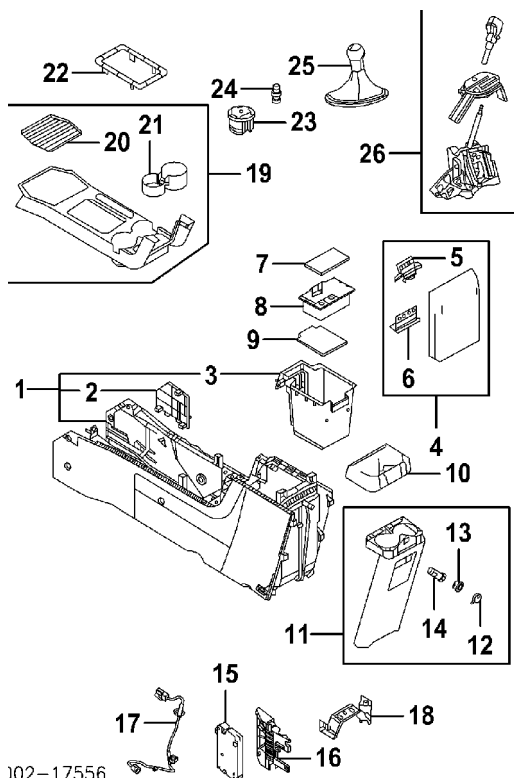
From 12-4-07 to 3-3-08		1.0	8L8Z 10849 M	\$352.31
From 3-4-08		1.0	8L8Z 10849 P	\$352.31
	2009			
To 12-1-08		1.0	9L8Z 10849 D	\$349.23
From 12-2-08		1.0	9L8Z 10849 HA	\$349.23
	2010	1.0	AL8Z 10849 HA	\$321.54
w/o Message Center				
	2008			
To 4-2-07		1.0	8L8Z 10849 B	\$360.00
From 4-3-07		1.0	8L8Z 10849 GC	\$360.00
	2009			
To 12-1-08		1.0	9L8Z 10849 B	\$349.23
From 12-2-08		1.0	9L8Z 10849 FA	\$349.23
	2010	1.0	AL8Z 10849 BA	\$320.00
28 Lens, Cluster (e)				
w/Message Center			8L8Z 10890 B	\$78.88
w/o Message Center			8L8Z 10890 A	\$73.55
(e) Included w/Instrument Cluster Assy				
29 Switch, H/Lamp				
w/Fog Lamps				
w/Auto H/Lamps		.3	8L8Z 11654 CA	\$94.04
w/o Auto H/Lamps		.3	8L8Z 11654 BA	\$94.04
w/o Fog Lamps		.3	8L8Z 11654 AA	\$39.76
30 Rheostat, Lighting		.3	7L1Z 11691 BA	\$23.84
31 Switch, Fog Lamp		.2	5L8Z 15A214 DA	\$27.00
32 Panel, Left Switch			8L8Z 10D889 AA	\$25.10
33 Display, Information				
	2008	.8	9L8Z 10D885 A	\$426.78
	2009			
To 3-26-09		.8	9L8Z 10D885 A	\$426.78
From 3-27-09 to 5-8-09		.8	9L8Z 10D885 B	
From 5-9-09		.8	9L8Z 10D885 C	\$426.78
	2010	.8	9L8Z 10D885 C	\$426.78
34 Module, GPS Receiver				
w/o Navigation System				
w/Sync System		10	AL8Z 10E893 A	\$128.38
35 Display/Radio, Navigation-See Electrical Section				
36 Radio (d)		08	.7 8L8Z 18C869 B	
		09-10	.7 9L8Z 18C869 B	
(d) Order by Application				
37 Panel, Inst Control				
w/o Navigation System				

2009 Ford Escape Limited Utility

	2008		.4	8L8Z 18842 AB	\$79.17
	2009				
To 12-1-08			.4	9L8Z 18842 AA	
From 12-2-08			.4	9L8Z 18842 BA	
	2010		.4	9L8Z 18842 BA	
38 Brkt, Radio		R		8L8Z 18888 C	\$23.46
		L		8L8Z 18888 D	\$4.01
39 Control, A/C /Heater					
Man A/C					
Heated Driver Seat					
	2008				
To 11-12-07			.6	8L8Z 19980 D	\$318.98
From 11-13-07			.6	8L8Z 19980 P	\$220.80
2009-10			.6	9L8Z 19980 B	\$201.38
Non-Heated Driver Seat			.6	9L8Z 19980 A	\$221.50
Auto A/C					
Heated Driver Seat					
	2008				
To 11-12-07			.6	8L8Z 19980 H	
From 11-13-07 to 4-9-08			.6	9L8Z 19980 D	\$470.08
From 4-10-08			.6	9L8Z 19980 D	\$470.08
2009-10			.6	9L8Z 19980 D	\$470.08
Non-Heated Driver Seat					
	2008				
To 11-12-07			.6	8L8Z 19980 E	\$138.77
From 11-13-07 to 4-9-08			.6	8L8Z 19980 L	\$433.25
From 4-10-08			.6	8L8Z 19980 Q	\$500.93
2009-10			.6	9L8Z 19980 C	\$466.95
40 Panel, Lwr Switch					
w/Advance Trac					
w/Rear Object Sensors		08	.3	8L8Z 13D730 AA	\$68.56
w/o Rear Object Sensors		08	.3	8L8Z 13D730 BA	\$68.56
w/o Advance Trac					
w/Rear Object Sensors		08	.3	8L8Z 13D730 CA	\$64.64
w/o Rear Object Sensors		08	.3	8L8Z 13D730 DA	\$68.56
41 Switch, Traction Control		09-10		9L8Z 2C335 A	\$27.55
42 Switch, Rear Object Sensor		09-10		9L8Z 15A860 AA	\$16.17
43 Switch, Parking Aid		10		AL8Z 15A859 AA	\$35.98

## CENTER CONSOLE

### Procedure 14



102-17556

R&I Center Console

.6

NOTE: All Parts in this section are included in R&R Center Console Assy unless noted otherwise.

#### 1 Console Assy, Center

2008

To 3-29-07

Black

1.0 8L8Z 78045A36 AC \$489.48

Camel

1.0 8L8Z 78045A36 AB \$489.48

Stone

1.0 8L8Z 78045A36 AA \$489.48

From 3-30-07 to 12-3-07

Black

1.0 8L8Z 78045A36 AF \$423.37

Camel

1.0 8L8Z 78045A36 AE \$422.37

Stone

1.0 8L8Z 78045A36 AD \$543.23

From 12-4-07

w/Ambient Lighting

Black

1.0 9L8Z 78045A36 DC \$611.95

Camel

1.0 9L8Z 78045A36 DB \$611.95

Stone

1.0 9L8Z 78045A36 DA \$611.95

w/o Ambient Lighting

Black

1.0 8L8Z 78045A36 AJ \$371.08

2009 Ford Escape Limited Utility

Camel		1.0	8L8Z 78045A36 AH	\$371.08
Stone		1.0	8L8Z 78045A36 AG	\$371.08
	2009			
To 8-23-08				
w/Ambient Lighting				
Black		1.0	9L8Z 78045A36 DC	\$611.95
Camel		1.0	9L8Z 78045A36 DB	\$611.95
Stone		1.0	9L8Z 78045A36 DA	\$611.95
w/o Ambient Lighting				
Black		1.0	9L8Z 78045A36 AC	\$370.90
Camel		1.0	9L8Z 78045A36 EB	\$444.88
Stone		1.0	9L8Z 78045A36 EA	\$489.48
From 8-24-08				
w/Ambient Lighting				
Black		1.0	9L8Z 78045A36 DC	\$611.95
Camel		1.0	9L8Z 78045A36 DB	\$611.95
Stone		1.0	9L8Z 78045A36 DA	\$611.95
w/o Ambient Lighting				
Black		1.0	9L8Z 78045A36 EC	\$367.37
Camel		1.0	9L8Z 78045A36 EB	\$444.88
Stone		1.0	9L8Z 78045A36 EA	\$489.48
	2010			
Black		1.0	9L8Z 78045A36 EC	\$367.37
Camel		1.0	9L8Z 78045A36 EB	\$444.88
Stone		1.0	9L8Z 78045A36 EA	\$489.48
2 Cover, Side¶				
Black	R	.1	8L8Z 78047A62 AC	\$13.17
Camel	R	.1	8L8Z 78047A62 AB	\$10.97
Stone	R	.1	8L8Z 78047A62 AA	\$14.50
3 Bin, Storage¶			8L8Z 7813546 AA	\$45.88
¶Included w/Center Console Assy				
4 Lid Assy, Console				
Black		.2	8L8Z 7806024 AL	\$148.93
Camel		.2	8L8Z 7806024 AK	\$148.93
Stone		.2	8L8Z 7806024 AJ	\$148.93
5 Latch, Lid (a)		.1	8L8Z 7806162 B	\$8.37
6 Hinge, Lid (a)			8L8Z 7806050 AA	\$49.32
(a) Included w/Console Lid Assy				
7 Mat, Console Tray			8L8Z 78045G34 BA	\$6.47
8 Tray, Console			8L8Z 7813546 BA	\$21.30
9 Mat, Storage Bin			8L8Z 78045G34 AA	\$7.38
10 Holder, Rear Cup				
Black			8L8Z 7813562 AC	\$42.17



2009 Ford Escape Limited Utility

Camel			8L8Z 7813562 AB	\$35.88
Stone			8L8Z 7813562 AA	\$35.88
11 Panel Assy, Rear Finish				
w/Ambient Lighting				
Black		.3	8L8Z 78045E24 BC	\$567.78
Camel		.3	8L8Z 78045E24 BB	\$567.78
Stone		.3	8L8Z 78045E24 BA	\$568.10
w/o Ambient Lighting				
Black		.3	8L8Z 78045E24 AC	\$56.02
Camel		.3	8L8Z 78045E24 AB	\$112.97
Stone		.3	8L8Z 78045E24 AA	\$56.02
12 Cover, Socket (b)			7L7Z 19A487 BA	\$6.13
13 Ring, Socket (b)			6L2Z 15K040 A	\$14.39
14 Socket, Power (b)			1L2Z 19N236 BA	\$12.00
(b) Included w/Rear Finish Panel Assy				
15 Module, Interface				
	2009			
To 12-4-08		#.4	9L3Z 14D212 B	\$561.58
From 12-5-08		#.4	9L3Z 14D212 CD	\$561.58
	2010	#.4	AL3Z 14D212 C	\$561.58
#Not Included in R&R Center Console Assy				
16 Bracket, Module		09-10	9L8Z 14A301 A	\$24.10
17 Cable, USB		09-10	9L8Z 14D202 A	\$27.23
18 Bracket, Console				
	2008			
To 8-3-07			8L8Z 78045B34 A	\$32.88
From 8-4-07			8L8Z 78045B34 B	\$13.42
2009-10			8L8Z 78045B34 B	\$13.42
19 Panel Assy, Front Console				
	2008			
XLS Model				
Man Trans		.4	8L8Z 78045A76 BA	\$169.58
Auto Trans				
To 12-3-07		.4	8L8Z 78045A76 AA	\$138.30
From 12-4-07				
w/Ambient Lighting		.4	8L8Z 78045A76 EA	\$280.12
w/o Ambient Lighting		.4	8L8Z 78045A76 AA	\$138.30
XLT Model				
To 12-3-07		.4	8L8Z 78045A76 CA	\$175.32
From 12-4-07				
w/Ambient Lighting		.4	8L8Z 78045A76 FA	\$441.80
w/o Ambient Lighting		.4	8L8Z 78045A76 CA	\$175.32
Limited Model				

2009 Ford Escape Limited Utility

To 12-3-07	.4	8L8Z 78045A76 DA	\$239.07
From 12-4-07			
w/Ambient Lighting	.4	8L8Z 78045A76 GA	\$433.48
w/o Ambient Lighting	.4	8L8Z 78045A76 DA	\$239.07
2009-10			
XLS Model			
w/Sync System			
Man Trans	.4	9L8Z 78045A76 HA	\$133.33
Auto Trans	.4	9L8Z 78045A76 JA	\$104.58
w/o Sync System			
Man Trans	.4	8L8Z 78045A76 BA	\$169.58
Auto Trans	.4	8L8Z 78045A76 AA	\$138.30
XLT Model			
w/Sync System			
Man Trans	.4	9L8Z 78045A76 TA	\$176.98
Auto Trans			
w/Ambient Lighting	.4	9L8Z 78045A76 MA	\$388.73
w/o Ambient Lighting	.4	9L8Z 78045A76 LA	\$154.68
w/o Sync System			
Man Trans	.4	9L8Z 78045A76 NA	\$142.88
Auto Trans			
w/Ambient Lighting	.4	8L8Z 78045A76 FA	\$441.80
w/o Ambient Lighting	.4	8L8Z 78045A76 CA	\$175.32
Limited Model			
w/Sync System			
w/Ambient Lighting	.4	9L8Z 78045A76 GA	\$478.92
w/o Ambient Lighting	.4	9L8Z 78045A76 DA	\$298.53
w/o Sync System			
w/Ambient Lighting	.4	8L8Z 78045A76 GA	\$433.48
w/o Ambient Lighting	.4	8L8Z 78045A76 DA	\$239.07
20 Mat, Console (c)		8L8Z 78045G34 AB	\$14.82
21 Holder, Front Cup (c)		8L8Z 7813562 AD	\$23.78
(c) Included w/Front Console Panel Assy			
22 Bezel, Console			
Chrome		8L8Z 7E391 AA	\$31.15
Metallic		8L8Z 7E391 BA	\$18.32
23 Ashtray, Console		YL8Z 7804810 AAA	\$24.22
24 Element, Lighter		3L8Z 15052 AA	\$8.54
Shifter, Gear			
25 Man Trans	#	8L8Z 7213 A	\$87.42
26 Auto Trans			
Chrome			
	2008	#	8L8Z 7210 B
	2009		\$266.72

2009 Ford Escape Limited Utility

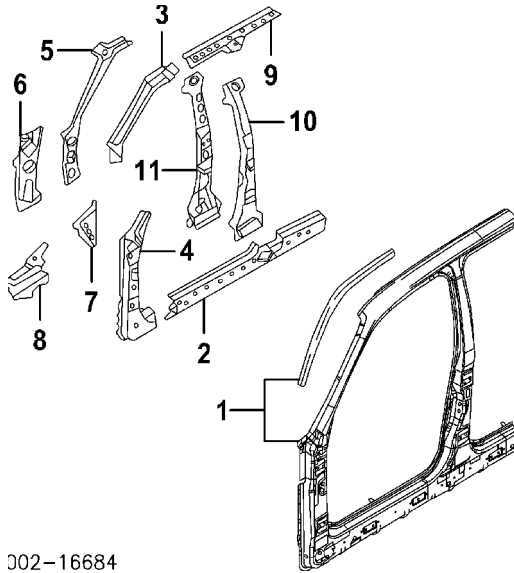
To 12-10-08		#	9L8Z 7210 BC	\$243.82
From 12-11-08		#	9L8Z 7210 BC	\$243.82
	2010	#	9L8Z 7210 BC	\$243.82
Black		08 #	8L8Z 7210 A	\$262.05
		09-10 #	AL8Z 7210 AA	\$196.48

#Not Included in R&R Center Console Assy

## ROCKER/PILLARS/FLOOR

Procedures 14, 15 and 28

### SHEET METAL



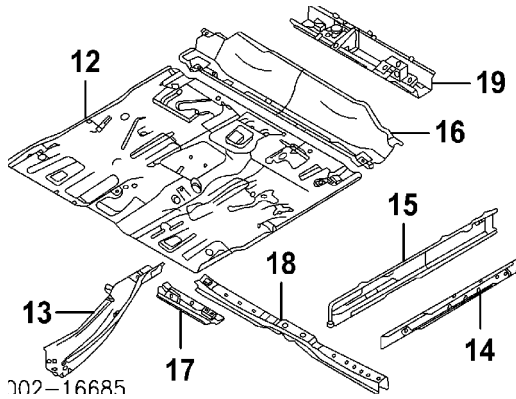
002-16684

Refinish Door Opening Panel	R	3.5
	L	3.5
Add for Inside	R	.8
	L	.8
Refinish Hinge Pillar Section	R	1.5
	L	1.5
Refinish Center Pillar/Rocker Section	R	2.4
	L	2.4
Refinish Rocker Panel	R	2.0
	L	2.0
Refinish Roof Rail Outside	R	#1.6
	L	#1.6
#Included in Refinish Door Opening Panel Assy		
Section Hinge Pillar	R	8.5
	L	8.5
Section Center Pillar/Rocker	R	10.5
	L	10.5
Add to R&R		
To R&/R&R Side Curtain Air Bag	R	#.8

2009 Ford Escape Limited Utility

	L	#.8		
#w/Headliner Removed				
	R	.6		
	L	.6		
NOTE: Refer to Manufacturer's Service Manual for sectioning procedures.				
1 Panel, Door Opening	R	#20.5	8L8Z 78211A10 A	\$612.27
	L	#20.5	8L8Z 78211A11 A	\$612.27
#w/Quarter Panel Removed Deduct 2.0, Deduction Includes Common Surfaces & Included Operations				
Striker, Latch-See Front Door Section				
2 Reinf, Inr Rocker Panel	R	4.0	8L8Z 78613C32 A	\$76.23
	L	4.0	8L8Z 78613C33 A	\$81.07
3 Reinf, Upr Frt Pillar (HSLA)	R	2.0	5L8Z 7802524 AA	\$106.22
	L	2.0	9L8Z 7802525 A	\$156.82
4 Reinf, Lwr Frt Pillar (HSLA)	R	#3.0	8L8Z 7822842 A	\$85.28
	L	#3.0	9L8Z 7822843 B	\$140.28
#Includes R&R Cowl Side Panel				
5 Panel, Inr Frt Pillar (HSLA)	R	1.5	8L8Z 7802508 A	\$50.58
	L	1.5	8L8Z 7802509 A	\$66.52
6 Panel, Inr Side Cowl (HSLA)	R	2.0	8L8Z 7802038 B	\$54.42
	L	2.0	8L8Z 7802039 B	\$57.60
7 Panel, Otr Side Cowl	R	1.0	YL8Z 7802038 AA	\$63.32
	L	1.0	YL8Z 7802039 AA	\$63.12
8 Reinf, Side Cowl	R	1.0	YL8Z 78021A12 AA	\$74.50
	L	1.0	9L8Z 78021A13 A	\$69.78
9 Rail, Side Roof	08 R	2.0	5L8Z 78513A30 BA	\$56.10
	L	2.0	5L8Z 78513A31 BA	\$42.70
	09-10 R	2.0	5L8Z 78513A30 BA	\$56.10
	L	2.0	9L8Z 78513A31 A	\$62.83
10 Reinf, Otr Ctr Pillar (HSLA)	R	#2.0	8L8Z 7824382 A	\$102.23
	L	#2.0	8L8Z 7824383 A	\$101.77
11 Reinf, Inr Ctr Pillar	R	#2.0	8L8Z 7824300 A	\$79.62
	L	#2.0	8L8Z 7824301 A	\$66.35
#R&R One Side Complete				

2009 Ford Escape Limited Utility



12 Panel, Floor

08	#17.0	8L8Z 7811135 A	\$131.38
09-10	#17.0	9L8Z 7811135 A	\$182.85

#Includes R&R Floor Xmbr Plate, Rear Seat Xmbr, Frit Floor Xmbr, Deduct 3.0 w/Each Inner Rocker Panel Removed

13 Sidemember, Floor

08	R	2.5	YL8Z 7810120 AA	\$97.17
	L	2.5	YL8Z 7810121 AA	\$143.60
09-10	R	2.5	9L8Z 7810120 A	\$100.07
	L	2.5	YL8Z 7810121 AA	\$143.60

14 Sidemember, Outer

	R	2.0	5L8Z 7810114 A	\$60.95
	L	2.0	6L8Z 7810115 A	\$65.72

15 Panel, Inr Rocker

	R	3.0	8L8Z 7810110 A	\$96.07
	L	3.0	8L8Z 7810111 A	\$152.97

16 Crossmember, Floor

			3L8Z 7810684 AA	\$242.90
--	--	--	-----------------	----------

17 Xmbr, Rear Seat

	R	1.0	YL8Z 78107A94 AA	\$405.43
	L	1.0	YL8Z 78107A95 AA	\$194.22

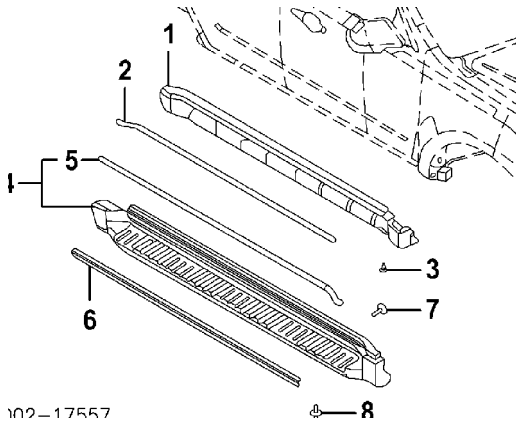
18 Plate, Floor Xmbr

		3.0	YL8Z 78106A90 BA	\$110.40
--	--	-----	------------------	----------

19 Xmbr, Frit Floor

		2.0	5L8Z 7810716 AA	\$221.38
--	--	-----	-----------------	----------

**EXTERIOR TRIM**



102-17557

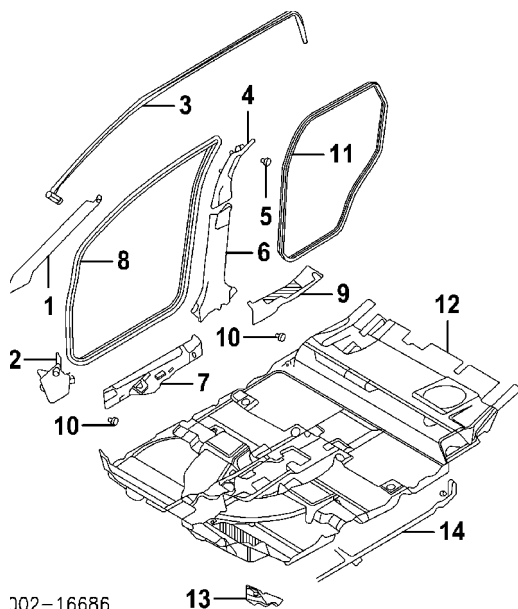
**R&I Rocker Moulding**

	R	.4		
	L	.4		

2009 Ford Escape Limited Utility

R&I Running Board	R		.5		
	L		.5		
R&R Running Board	R		.5		
	L		.5		
1 Moulding, Rocker (Thermoplastic)	R		.4	8L8Z 7810176 A	\$175.63
	L		.4	8L8Z 7810177 A	\$175.13
2 Filler, Moulding	R	#.2		8L8Z 78101A88 A	\$59.30
	L	#.2		8L8Z 78101A89 A	\$57.88
#Included in R&R Rocker Moulding					
3 Rivet, Mounting (a)	R			* W705848 S300	\$2.20
	L			* W705848 S300	\$2.20
(a) As Required					
4 Board Assy, Running					
Factory Installed	R	#		9L8Z 16450 BA	\$472.25
	L	#		9L8Z 16451 BA	\$472.25
Dealer Installed (b)		#		8L8Z 16450 AB	\$428.57
(b) Contains Both Sides					
#See Headnotes for Labor Time					
5 Filler, Moulding (c)					
Factory Installed	R	#.2		8L8Z 78101A88 A	\$59.30
	L	#.2		8L8Z 78101A89 A	\$57.88
#w/Running Board Removed					
Dealer Installed-Serviced w/Running Board Assy					
(c) Included w/Running Board Assy					
6 Mldg, Running Board	R	#.2		8L8Z 16C468 AA	\$50.52
	L	#.2		8L8Z 16C469 AA	\$53.28
#Included in R&R Running Board					
Bolt, Mtg (a)					
7 Side	R			* W701834 S439	\$2.25
	L			* W701834 S439	\$2.25
8 Lower	R			* W707643 S309	\$5.50
	L			* W707643 S309	\$5.50
(a) As Required					
<b>INTERIOR TRIM</b>					

2009 Ford Escape Limited Utility



1 Garnish Assy, Windshield-See Windshield Section

2 Panel, Side Cowl Trim

Black	R	.2	8L8Z 7802344 AC	\$19.50
	L	.2	8L8Z 7802345 AC	\$19.18
Camel	R	.2	8L8Z 7802344 AB	\$19.50
	L	.2	8L8Z 7802345 AB	\$19.48
Stone	R	.2	8L8Z 7802344 AA	\$18.92
	L	.2	8L8Z 7802345 AA	\$19.28

3 Weatherstrip, Upper (On Body)

	2008	R	.4	8L8Z 7851222 C	\$76.72
		L	.4	8L8Z 7851223 C	\$63.93
	2009				
To 2-4-09		R	.4	8L8Z 7851222 C	\$76.72
		L	.4	8L8Z 7851223 C	\$63.93
From 2-5-09		R	.4	9L8Z 7851222 A	\$42.82
		L	.4	9L8Z 7851223 A	\$42.82
	2010	R	.4	9L8Z 7851222 A	\$42.82
		L	.4	9L8Z 7851223 A	\$42.82

4 Trim, Upper Pillar

Black	R	.2	8L8Z 7824346 AC	\$35.33
	L	.2	8L8Z 7824347 AC	\$35.60
Camel, Stone	R	.2	8L8Z 7824346 AD	\$30.62
	L	.2	8L8Z 7824347 AD	\$35.60

5 Cover, Bolt (a)

2008



2009 Ford Escape Limited Utility

To 9-28-07					
Black	R		8L8Z 78237W10 AA	\$4.10	
	L		8L8Z 78237W10 AA	\$4.10	
Camel, Stone	R		8L8Z 78237W10 AB	\$4.10	
	L		8L8Z 78237W10 AB	\$4.10	
From 9-29-07					
Black	R		8L8Z 78237W10 AC	\$5.07	
	L		8L8Z 78237W10 AC	\$5.07	
Camel, Stone	R		8L8Z 78237W10 AD	\$5.07	
	L		8L8Z 78237W10 AD	\$5.07	
2009-10					
Black	R		8L8Z 78237W10 AC	\$5.07	
	L		8L8Z 78237W10 AC	\$5.07	
Camel, Stone	R		8L8Z 78237W10 AD	\$5.07	
	L		8L8Z 78237W10 AD	\$5.07	
Bolt, Mtg (a)	R		* W709735 S438	\$1.75	
	L		* W709735 S438	\$1.75	
(a) As Required					
6 Trim, Lower Pillar					
Black					
		2008			
To 7-19-07	R	#.6	8L8Z 7824356 AC	\$34.23	
	L	#.6	8L8Z 7824357 AF	\$39.52	
From 7-20-07	R	#.6	8L8Z 7824356 AF	\$41.72	
	L	#.6	8L8Z 7824357 AF	\$39.52	
2009-10	R	#.6	8L8Z 7824356 AF	\$41.72	
	L	#.6	8L8Z 7824357 AF	\$39.52	
Camel	R	#.6	8L8Z 7824356 AE	\$41.23	
	L	#.6	8L8Z 7824357 AE	\$39.52	
Stone	R	#.6	8L8Z 7824356 AD	\$32.52	
	L	#.6	8L8Z 7824357 AD	\$39.52	
#Includes R&R Center Pillar Trim Upper Panel & Front & Rear Scuff Plates					
7 Plate, Front Scuff					
Black	R	.1	8L8Z 7813208 AC	\$18.58	
	L	.1	8L8Z 7813209 AC	\$18.72	
Camel	R	.1	8L8Z 7813208 AB	\$17.88	
	L	.1	8L8Z 7813209 AB	\$18.93	
Stone	R	.1	8L8Z 7813208 AA	\$18.67	
	L	.1	8L8Z 7813209 AA	\$18.93	
8 W/Strip, Front Door Opng (On Body)					
		2008			
To 12-8-07	R	.5	8L8Z 7820530 A	\$67.32	
	L	.5	8L8Z 7820530 A	\$67.32	

2009 Ford Escape Limited Utility

From 12-9-07	R	.5	8L8Z 7820530 C	\$138.57	
	L	.5	8L8Z 7820530 C	\$138.57	
2009-10	R	.5	8L8Z 7820530 C	\$138.57	
	L	.5	8L8Z 7820530 C	\$138.57	
9 Plate, Rear Scuff					
Black	R	.1	8L8Z 7813228 AC	\$13.80	
	L	.1	8L8Z 7813229 AC	\$14.03	
Camel	R	.1	8L8Z 7813228 AB	\$21.48	
	L	.1	8L8Z 7813229 AB	\$21.52	
Stone	R	.1	8L8Z 7813228 AA	\$13.80	
	L	.1	8L8Z 7813229 AA	\$13.02	
10 Rivet, Attaching (a)					
Black	R		* W709002 SSC	\$2.00	
	L		* W709002 SSC	\$2.00	
Camel	R		* W709002 SSB	\$2.00	
	L		* W709002 SSB	\$2.00	
Stone	R		* W709002 SS31T	\$1.27	
	L		* W709002 SS31T	\$1.27	
(a) As Required					
11 W/Strip, Rear Door Opng (On Body)					
			2008		
To 11-16-07	R	.5	8L8Z 7825324 D	\$78.57	
	L	.5	8L8Z 7825324 D	\$78.57	
From 11-17-07	R	.5	8L8Z 7825324 D	\$78.57	
	L	.5	8L8Z 7825324 D	\$78.57	
2009-10	R	.5	8L8Z 7825324 D	\$78.57	
	L	.5	8L8Z 7825324 D	\$78.57	
12 Carpet, Floor¶					
			08	8L8Z 7813000 AA	\$394.23
			09-10	9L8Z 7813000 AA	\$512.32
¶Order by Application					
13 Footrest	L		8L8Z 7812024 A	\$7.52	
14 Harness, Main Body					
			2008		
To 12-3-07					
2WD					
w/Rear Object Sensors					
4 Speaker System			8L8Z 14405 BA	\$522.57	
7 Speaker System			8L8Z 14405 AA	\$524.68	
w/o Rear Object Sensors					
4 Speaker System			8L8Z 14405 KA	\$355.08	
7 Speaker System			8L8Z 14405 JA	\$355.08	
4WD					

2009 Ford Escape Limited Utility

w/Rear Object Sensors		
4 Speaker System	8L8Z 14405 DA	\$550.12
7 Speaker System	8L8Z 14405 CA	\$572.38
w/o Rear Object Sensors		
4 Speaker System	8L8Z 14405 MA	\$315.52
7 Speaker System	8L8Z 14405 LA	\$355.08
From 12-4-07		
2WD		
w/Rear Object Sensors		
4 Speaker System	8L8Z 14405 BB	\$551.20
7 Speaker System	8L8Z 14405 AB	\$540.95
w/o Rear Object Sensors		
4 Speaker System	8L8Z 14405 KB	\$366.75
7 Speaker System	8L8Z 14405 JB	\$521.88
4WD		
w/Rear Object Sensors		
4 Speaker System	8L8Z 14405 DB	\$557.20
7 Speaker System	8L8Z 14405 CB	\$567.73
w/o Rear Object Sensors		
4 Speaker System	8L8Z 14405 MB	\$517.42
7 Speaker System	8L8Z 14405 LB	\$530.45
2009		
To 12-1-08		
2WD		
w/Rear Object Sensors		
4 Speaker System	9L8Z 14405 BA	\$518.47
7 Speaker System	9L8Z 14405 AA	\$540.30
w/o Rear Object Sensors		
4 Speaker System	9L8Z 14405 FA	\$499.42
7 Speaker System	9L8Z 14405 EA	\$513.72
4WD		
w/Rear Object Sensors		
4 Speaker System	9L8Z 14405 DA	\$524.45
7 Speaker System	9L8Z 14405 CA	\$566.75
w/o Rear Object Sensors		
4 Speaker System	9L8Z 14405 HA	\$509.37

2009 Ford Escape Limited Utility

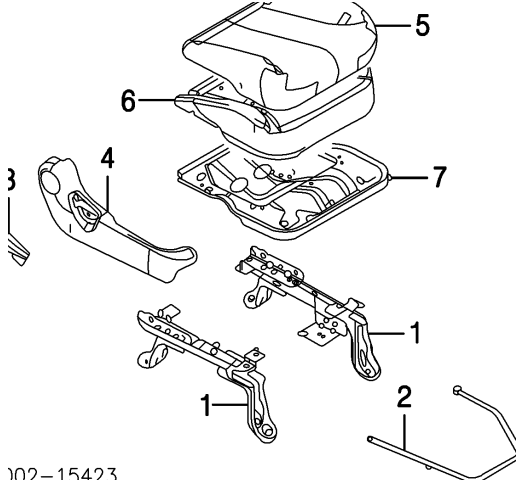
7 Speaker System	9L8Z 14405 GA	\$522.33
From 12-2-08		
2WD		
w/Rear Object Sensors		
4 Speaker System	9L8Z 14405 BB	\$511.27
7 Speaker System	9L8Z 14405 AB	\$502.13
w/o Rear Object Sensors		
4 Speaker System	9L8Z 14405 FB	\$474.13
7 Speaker System	9L8Z 14405 EB	\$487.07
4WD		
w/Rear Object Sensors		
4 Speaker System	9L8Z 14405 DB	\$517.48
7 Speaker System	9L8Z 14405 CB	\$527.40
w/o Rear Object Sensors		
4 Speaker System	9L8Z 14405 HB	\$484.10
7 Speaker System	9L8Z 14405 GB	\$495.73

2010

2WD		
4 Speaker, 6 Speaker System	AL8Z 14405 KA	\$454.22
7 Speaker System	AL8Z 14405 JA	\$444.73
4WD		
4 Speaker, 6 Speaker System	AL8Z 14405 MA	\$460.02
7 Speaker System	AL8Z 14405 LA	\$465.75

Harness, Rear Lamp-Serviced w/Main Body Harness

**FRONT SEAT**  
**PASSENGER SIDE**



107-15473

**R&I Front Seat Assy**

1 Track, Seat	R	#.2	5L8Z 7861704 BA	\$128.87
	L	#.2	8L8Z 7861704 A	\$88.57

#w/Front Seat Assy Removed

2 Handle, Seat Track			YL8Z 7861753 AC	\$17.00
3 Handle, Recliner			8L8Z 7861736 AD	\$21.43
Black			8L8Z 7861736 AC	\$17.87
Camel				
Stone				
XLS Model			8L8Z 7861736 AA	\$17.87
XLT, Limited Model			8L8Z 7861736 AB	\$21.43
4 Panel, Seat Trim				
Black	R		8L8Z 7862186 BD	\$49.70
	L		8L8Z 7862187 BC	\$44.03
Camel	R		8L8Z 7862186 BC	\$49.70
	L		8L8Z 7862187 BB	\$44.03
Stone				
XLS Model	R		8L8Z 7862186 AA	\$55.27
	L		8T2Z 7862187 BA	\$35.63
XLT, Limited Model	R		8L8Z 7862186 BB	\$49.70
	L		8L8Z 7862187 BA	\$48.47

5 Trim, Seat Cushion

2008

Cloth

Black

To 12-3-07

XLT Model

Limited Model

#.6	8L8Z 7862900 AK	\$177.08
#.6	8L8Z 7862900 AJ	

2009 Ford Escape Limited Utility

From 12-4-07	#.6	8L8Z 7862900 AG	\$176.55
Camel	#.6	8L8Z 7862900 AH	\$166.32
Stone			
XLS Model	#.6	8L8Z 7862900 BA	\$149.00
XLT Model	#.6	8L8Z 7862900 AF	\$176.55
Leather			
Black			
To 12-1-07			
XLT Model	#.6	8L8Z 7862900 CA	\$186.62
Limited Model	#.6	8L8Z 7862900 CG	\$178.55
From 12-2-07			
XLT Model	#.6	8L8Z 7862900 CH	\$192.12
Limited Model	#.6	8L8Z 7862900 CG	\$178.55
Camel			
To 12-1-07	#.6	8L8Z 7862900 CF	\$178.55
From 12-2-07	#.6	8L8Z 7862900 CF	\$178.55
Stone	#.6	8L8Z 7862900 CE	\$178.55

2009

Cloth			
Black	#.6	9L8Z 7862900 AH	\$259.22
Camel	#.6	9L8Z 7862900 AG	\$179.52
Stone			
XLS Model	#.6	9L8Z 7862900 BA	\$159.25
XLT Model	#.6	9L8Z 7862900 AK	\$263.40
Leather			
Black	#.6	9L8Z 7862900 CC	\$178.38
Camel	#.6	9L8Z 7862900 CB	\$178.38
Stone	#.6	9L8Z 7862900 CA	\$178.38

2010

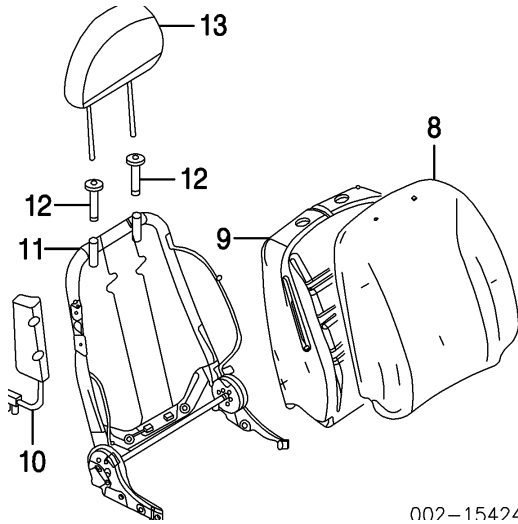
Cloth			
Black	#.6	AL8Z 7862900 AA	\$157.92
Camel	#.6	AL8Z 7862900 AB	\$157.92
Stone			
XLS Model	#.6	9L8Z 7862900 BA	\$159.25
XLT Model	#.6	AL8Z 7862900 AC	\$157.92
Leather			
Black	#.6	9L8Z 7862900 CC	\$178.38
Camel	#.6	9L8Z 7862900 CB	\$178.38
Stone	#.6	9L8Z 7862900 CA	\$178.38

6 Pad, Seat Cushion-See Air Bag System Section

7 Frame, Seat Cushion	#.6	9L8Z 7863100 A	\$76.47
-----------------------	-----	----------------	---------

#w/Front Seat Assy Removed, R&R Complete, Includes R&R Seat Tracks

2009 Ford Escape Limited Utility



002-15424

8 Trim, Seat Back

2008

Cloth

Black

To 12-3-07

XLT Model

#.7 8L8Z 7864416 FK \$288.33

Limited Model

#.7 8L8Z 7864416 FJ

From 12-4-07

#.7 8L8Z 7864416 FG \$286.60

Camel

#.7 8L8Z 7864416 FH \$287.68

Stone

XLS Model

#.7 8L8Z 7864416 GA \$146.83

XLT Model

#.7 8L8Z 7864416 FF \$287.68

Leather

Black

To 12-1-07

XLT Model

#.7 8L8Z 7864416 PH \$258.38

Limited Model

#.7 8L8Z 7864416 PD \$257.50

From 12-2-07

XLT Model

#.7 8L8Z 7864416 PH \$258.38

Limited Model

#.7 8L8Z 7864416 PG \$247.00

Camel

#.7 8L8Z 7864416 PF \$247.05

Stone

To 12-1-07

#.7 8L8Z 7864416 PB \$257.50

From 12-2-07

#.7 8L8Z 7864416 PE \$257.50

2009

Cloth

Black

#.7 8L8Z 7864416 FF \$287.68

Camel

#.7 8L8Z 7864416 FH \$287.68

Stone

XLS Model

#.7 8L8Z 7864416 GA \$146.83

2009 Ford Escape Limited Utility

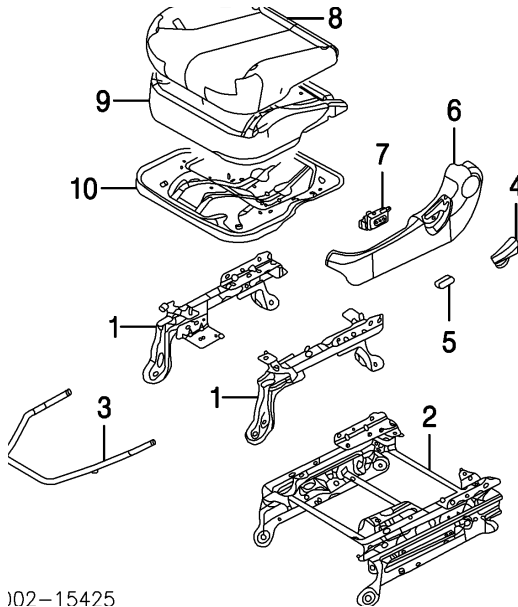
XLT Model	#.7	8L8Z 7864416 FK	\$288.33
Leather			
Black	#.7	9L8Z 7864416 PC	\$246.88
Camel	#.7	9L8Z 7864416 PB	\$246.88
Stone	#.7	9L8Z 7864416 PA	\$246.88
	2010		
Cloth			
Black	#.7	AL8Z 7864416 FA	\$156.28
Camel	#.7	AL8Z 7864416 FB	\$156.28
Stone			
XLS Model	#.7	AL8Z 7864416 GA	\$138.45
XLT Model	#.7	AL8Z 7864416 FC	\$156.28
Leather			
Black	#.7	AL8Z 7864416 PC	\$270.05
Camel	#.7	AL8Z 7864416 PB	\$270.05
Stone	#.7	AL8Z 7864416 PA	\$270.05
9 Pad, Seat Back			
Heated	08 #.7	6L8Z 7864810 B	\$120.82
	09-10 #.7	9L8Z 7864810 B	\$161.92
Non-Heated	08 #.7	6L8Z 7864810 AB	\$107.42
	09 #.7	9L8Z 7864810 A	\$120.12
	10 #.7	AL8Z 7864810 A	\$105.73
10 Module, Seat Air Bag-See Air Bag System Section			
11 Frame, Seat Back	08 #.7	8L8Z 7861018 A	\$243.83
	09-10 #.7	9L8Z 7861018 A	\$232.00
#w/Front Seat Assy Removed, R&R Complete, Includes R&R Headrest			
12 Guide, Headrest			
Locking	08	5L8Z 78610A16 AAA	\$33.93
	09-10	9L8Z 78610A16 AA	\$22.40
Non-Locking	08	5L8Z 78610A16 CAA	\$28.32
	09-10	9L8Z 78610A16 CA	\$22.32
13 Headrest			
Cloth			
Black	08	.1 8L8Z 78611A08 BA	\$136.58
	09-10	.1 9L8Z 78611A08 BC	\$141.92
Camel	08	.1 8L8Z 78611A08 BC	\$136.58
	09	.1 9L8Z 78611A08 BB	\$141.92
	10	.1 9L8Z 78611A08 BF	\$142.00
Stone			
XLS Model	08	.1 8L8Z 78611A08 AA	\$137.00
	09	.1 9L8Z 78611A08 AA	\$149.08
	10	.1 9L8Z 78611A08 BA	\$94.62
XLT Model	08	.1 8L8Z 78611A08 BB	\$136.58



2009 Ford Escape Limited Utility

Leather		09-10	.1	9L8Z 78611A08 BA	\$94.62
Black					
	2008				
XLT Model			.1	8L8Z 78611A08 CE	\$153.58
Limited Model			.1	8L8Z 78611A08 CC	\$153.33
2009-10			.1	9L8Z 78611A08 CC	\$160.25
Camel		08	.1	8L8Z 78611A08 CB	\$96.07
		09-10	.1	9L8Z 78611A08 CB	\$160.25
Stone		08	.1	8L8Z 78611A08 CA	\$153.33
		09-10	.1	9L8Z 78611A08 CA	\$160.25

DRIVER SIDE



107-15425

R&I Front Seat Assy

Track, Seat

1 Manual

To 9-4-07

From 9-5-07

2009-10

2 Power

#w/Front Seat Assy Removed

3 Handle, Seat Track

2008

R	#.2	8L8Z 7861705 A	\$95.72
L	#.2	5L8Z 7861705 BA	\$149.33
R	#.2	8L8Z 7861705 B	\$137.02
L	#.2	5L8Z 7861705 BA	\$149.33
R	#.2	8L8Z 7861705 B	\$137.02
L	#.2	5L8Z 7861705 BA	\$149.33
	08 #.2	8L8Z 7861711 A	\$686.60
	09-10 #.2	9L8Z 7861711 A	\$663.22

.3

YL8Z 7861753 BC \$18.12

2009 Ford Escape Limited Utility

4 Handle, Recliner				
Black			8L8Z 7861737 AD	\$21.43
Camel			8L8Z 7861737 AC	\$21.43
Stone				
XLS Model			8L8Z 7861737 AA	\$21.43
XLT, Limited Model			8L8Z 7861737 AB	\$21.30
5 Knob, Switch			9L3Z 14711 AB	\$9.17
6 Panel, Seat Trim				
Man Seat				
Black		R	8L8Z 7862186 FC	\$46.92
		L	8L8Z 7862187 FD	\$45.63
Camel		R	8L8Z 7862186 FB	\$46.92
		L	8L8Z 7862187 FC	\$45.63
Stone				
XLS Model		R	8L8Z 7862186 FD	\$56.30
		L	8L8Z 7862187 FA	\$55.27
XLT, Limited Model		R	8L8Z 7862186 FA	\$46.92
		L	8L8Z 7862187 FB	\$54.77
Pwr Seat				
Black		R	8L8Z 7862187 BF	\$55.23
		L	8L8Z 7862187 AC	\$57.17
Camel		R	8L8Z 7862187 BE	\$55.23
		L	8L8Z 7862187 AB	\$57.17
Stone				
Cloth Seat		R	8L8Z 7862187 BD	\$55.23
		L	8T2Z 7862187 AC	\$57.17
Leather Seat		R	8L8Z 7862187 BD	\$55.23
		L	8L8Z 7862187 AA	\$57.17
7 Switch, Seat			9L3Z 14A701 A	\$140.95

8 Trim, Seat Cushion

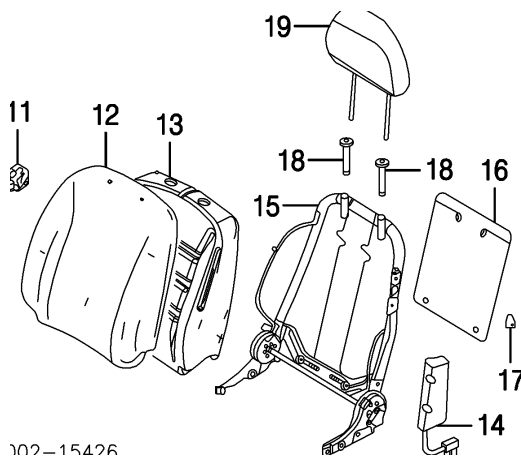
2008

Cloth				
Black				
To 12-3-07				
XLT Model	#.6		8L8Z 7862901 GK	\$176.43
Limited Model	#.6		8L8Z 7862901 GJ	
From 12-4-07	#.6		8L8Z 7862901 GG	\$176.43
Camel	#.6		8L8Z 7862901 GH	\$176.43
Stone				
XLS Model	#.6		8L8Z 7862901 FA	\$149.00
XLT Model	#.6		8L8Z 7862901 GF	\$176.43
Leather				
Black				
XLT Model	#.6		8L8Z 7862901 CH	\$192.12
Limited Model	#.6		8L8Z 7862901 CG	\$178.50
Camel	#.6		8L8Z 7862901 CF	\$186.62

2009 Ford Escape Limited Utility

Stone		#.6	8L8Z 7862901 CE	\$186.62
	2009			
Cloth				
Black		#.6	9L8Z 7862901 GG	\$256.73
Camel		#.6	9L8Z 7862901 GF	\$263.40
Stone				
XLS Model		#.6	9L8Z 7862901 FA	\$159.25
XLT Model		#.6	9L8Z 7862901 GJ	\$263.40
Leather				
Black		#.6	9L8Z 7862901 CC	\$178.38
Camel		#.6	9L8Z 7862901 CB	\$178.38
Stone		#.6	9L8Z 7862901 CA	\$185.50
	2010			
Cloth				
Black		#.6	AL8Z 7862901 GA	\$102.08
Camel		#.6	AL8Z 7862901 GB	\$102.08
Stone				
XLS Model		#.6	9L8Z 7862901 FA	\$159.25
XLT Model		#.6	AL8Z 7862901 GC	\$102.08
Leather				
Black		#.6	9L8Z 7862901 CC	\$178.38
Camel		#.6	9L8Z 7862901 CB	\$178.38
Stone		#.6	9L8Z 7862901 CA	\$185.50
9 Pad, Seat Cushion				
Heated				
	2008	#.6	6L8Z 78632A23 B	\$89.22
	2009			
To 12-1-08		#.6	6L8Z 78632A23 B	\$89.22
From 12-2-08		#.6	9L8Z 78632A23 B	\$129.58
	2010	#.6	9L8Z 78632A23 B	\$129.58
Non-Heated		08 #.6	6L8Z 78632A23 AA	\$118.80
		09-10 #.6	9L8Z 78632A23 A	\$110.80
10 Frame, Seat Cushion		#.6	9L8Z 7863100 A	\$76.47
#w/Front Seat Assy Removed, R&R Complete, Includes R&R Seat Tracks				
Module, Memory			2C3Z 14C724 AA	\$105.33

2009 Ford Escape Limited Utility



102-15426

- 11 Knob, Lumbar Adjust
- Black
- Stone
- 12 Trim, Seat Back

5L8Z 78617B70 AAB	\$39.92
8L8Z 7862622 AA	\$25.92

2008

Cloth

Black

To 12-3-07

XLT Model

Limited Model

From 12-4-07

Camel

Stone

XLS Model

XLT Model

Leather

Black

XLT Model

XLT Model

Limited Model

Camel

Stone

#.7	8L8Z 7864417 FK	\$288.33
#.7	8L8Z 7864417 FJ	
#.7	8L8Z 7864417 FG	\$286.60
#.7	8L8Z 7864417 FH	\$287.68
#.7	8L8Z 7864417 GA	\$146.83
#.7	8L8Z 7864417 FF	\$287.68
#.7	8L8Z 7864417 JH	\$258.45
#.7	8L8Z 7864417 JG	\$257.50
#.7	8L8Z 7864417 JF	\$247.05
#.7	8L8Z 7864417 JE	\$257.50

2009

Cloth

Black

Camel

Stone

XLS Model

XLT Model

Leather

Black

Camel

#.7	9L8Z 7864417 FG	\$289.10
#.7	9L8Z 7864417 FH	\$290.12
#.7	9L8Z 7864417 GA	\$144.62
#.7	9L8Z 7864417 FJ	\$290.12
#.7	9L8Z 7864417 JC	\$246.88
#.7	9L8Z 7864417 JB	\$246.88

2009 Ford Escape Limited Utility

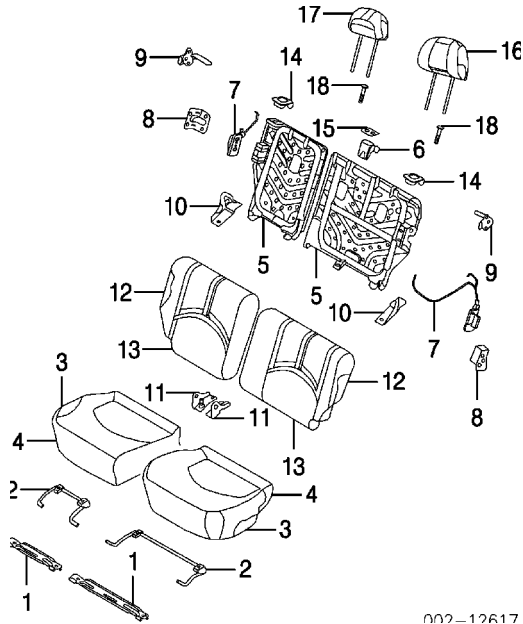
Stone		#.7	9L8Z 7864417 JA	\$246.88
	2010	#.7	N.A.	
13 Pad, Seat Back				
Heated		08 #.7	6L8Z 7864811 A	\$127.92
		09-10 #.7	9L8Z 7864811 B	\$146.17
Non-Heated		08 #.7	6L8Z 7864811 AA	\$107.42
		09 #.7	9L8Z 7864811 A	\$119.42
		10 #.7	AL8Z 7864811 A	\$105.73
14 Module, Seat Air Bag-See Air Bag System Section				
15 Frame, Seat Back				
w/Lumbar Support		08 #.7	8T2Z 7861019 B	\$256.92
		09-10 #.7	9T2Z 7861019 A	\$237.43
w/o Lumbar Support				
	2008			
To 3-2-07		#.7	5L8Z 7861019 CA	\$321.67
From 3-3-07		#.7	8L8Z 7861019 A	\$230.43
2009-10		#.7	9L8Z 7861019 A	\$231.88
16 Protector, Seat Frame				
w/Lumbar Support		#.7	YL8Z 78611A30 AA	\$40.10
				#w/Front Seat Assy Removed, R&R Complete, Includes R&R Headrest
17 Clip, Protector (a)			* W705589 S0	\$1.75
(a) As Required				
18 Guide, Headrest				
Locking				
Black		08	5L8Z 78610A16 AAA	\$33.93
		09-10	9L8Z 78610A16 AA	\$22.40
Stone		08	7T4Z 78610A16 AA	\$49.08
		09-10	9L8Z 78610A16 AB	\$18.67
Non-Locking				
Black		08	5L8Z 78610A16 CAA	\$28.32
		09-10	9L8Z 78610A16 CA	\$22.32
Stone		08	7T4Z 78610A16 CA	\$22.53
		09-10	9L8Z 78610A16 CB	\$18.60
19 Headrest				
Cloth				
Black		08	.1 8L8Z 78611A08 BA	\$136.58
		09-10	.1 9L8Z 78611A08 BC	\$141.92
Camel		08	.1 8L8Z 78611A08 BC	\$136.58
		09	9L8Z 78611A08 BB	\$141.92
		10	.1 9L8Z 78611A08 BF	\$142.00
Stone				
XLS Model		08	.1 8L8Z 78611A08 AA	\$137.00
		09	.1 9L8Z 78611A08 AA	\$149.08

2009 Ford Escape Limited Utility

	10	.1	9L8Z 78611A08 BA	\$94.62
XLT Model	08	.1	8L8Z 78611A08 BB	\$136.58
	09-10	.1	9L8Z 78611A08 BA	\$94.62
Leather				
Black				
	2008			
XLT Model		.1	8L8Z 78611A08 CE	\$153.58
Limited Model		.1	8L8Z 78611A08 CC	\$153.33
2009-10		.1	9L8Z 78611A08 CC	\$160.25
Camel	08	.1	8L8Z 78611A08 CB	\$96.07
	09-10	.1	9L8Z 78611A08 CB	\$160.25
Stone	08	.1	8L8Z 78611A08 CA	\$153.33
	09-10	.1	9L8Z 78611A08 CA	\$160.25

2009 Ford Escape Limited Utility

REAR SEAT



002-12617

R&I Rear Seat Assy

R .3  
L #.4

#Includes R&I Right Seat Assy

1 Support, Rear Seat	R	#.2	3L8Z 78606A50 AB	\$40.38
	L	#.2	3L8Z 78606A51 AB	\$51.82

#w/Rear Seat Assy Removed

2 Link, Rear Seat	R		YL8Z 78605B10 AB	\$56.18	
	L		YL8Z 78605B11 AB	\$57.00	
3 Pad, Seat Cushion	08-09	R	#.5	5L8Z 7863840 AA	\$129.87
		L	#.5	5L8Z 7863841 BA	\$201.77
	10	R	#.5	AL8Z 7863840 A	\$115.10
		L	#.5	AL8Z 7863841 A	\$144.80

4 Trim, Seat Cushion

2008

Cloth

Black

To 12-3-07

XLT Model

R	#.5	8L8Z 7863804 AK	\$203.93
L	#.5	8L8Z 7863805 AK	\$315.77

Limited Model

R	#.5	8L8Z 7863804 AJ	
L	#.5	8L8Z 7863805 AJ	

From 12-4-07

R	#.5	8L8Z 7863804 AG	\$201.60
L	#.5	8L8Z 7863805 AG	\$240.95

Camel

R	#.5	8L8Z 7863804 AH	\$204.52
---	-----	-----------------	----------

2009 Ford Escape Limited Utility

	L	#.5	8L8Z 7863805 AH	\$245.83
Stone				
XLS Model	R	#.5	8L8Z 7863804 DA	\$164.00
	L	#.5	8L8Z 7863805 DA	\$139.57
XLT Model	R	#.5	8L8Z 7863804 AF	\$203.27
	L	#.5	8L8Z 7863805 AF	\$135.95
Leather				
Black				
XLT Model	R	#.5	8L8Z 7863804 CA	\$158.78
	L	#.5	8L8Z 7863805 CA	\$219.00
Limited Model	R	#.5	8L8Z 7863804 CD	\$158.78
	L	#.5	8L8Z 7863805 CD	\$219.00
Camel	R	#.5	8L8Z 7863804 CC	\$158.78
	L	#.5	8L8Z 7863805 CC	\$219.00
Stone	R	#.5	8L8Z 7863804 CB	\$158.78
	L	#.5	8L8Z 7863805 CB	\$219.00

2009

Cloth				
Black	R	#.5	9L8Z 7863804 AH	\$205.18
	L	#.5	9L8Z 7863805 AH	\$245.35
Camel	R	#.5	9L8Z 7863804 AG	\$205.18
	L	#.5	9L8Z 7863805 AG	\$245.83
Stone				
XLS Model	R	#.5	9L8Z 7863804 DA	\$161.00
	L	#.5	9L8Z 7863805 DA	\$121.12
XLT Model	R	#.5	9L8Z 7863804 AK	\$204.52
	L	#.5	9L8Z 7863805 AK	\$245.77
Leather				
Black	R	#.5	8L8Z 7863804 CD	\$158.78
	L	#.5	8L8Z 7863805 CD	\$219.00
Camel	R	#.5	8L8Z 7863804 CC	\$158.78
	L	#.5	8L8Z 7863805 CC	\$219.00
Stone	R	#.5	8L8Z 7863804 CB	\$158.78
	L	#.5	8L8Z 7863805 CB	\$219.00

2010

Cloth				
Black	R	#.5	AL8Z 7863804 AA	\$115.55
	L	#.5	AL8Z 7863805 AA	\$132.33
Camel	R	#.5	AL8Z 7863804 AB	\$115.55
	L	#.5	AL8Z 7863805 AB	\$132.33
Stone				
XLS Model	R	#.5	AL8Z 7863804 DA	\$160.58
	L	#.5	AL8Z 7863805 DA	\$121.22
XLT Model	R	#.5	AL8Z 7863804 AC	\$115.55
	L	#.5	AL8Z 7863805 AC	\$132.33
Leather				



2009 Ford Escape Limited Utility

Black	R	#.5	AL8Z 7863804 CC	\$153.33
	L	#.5	AL8Z 7863805 CC	\$168.62
Camel	R	#.5	AL8Z 7863804 CB	\$153.33
	L	#.5	AL8Z 7863805 CB	\$168.62
Stone	R	#.5	AL8Z 7863804 CA	\$153.33
	L	#.5	AL8Z 7863805 CA	\$168.62

#w/Rear Seat Assy Removed, R&R One Side Complete

5 Frame, Seat Back	R	#.5	5L8Z 78613A38 AB	\$250.90
	L	#.5	5L8Z 78613A39 AB	\$268.33

#w/Rear Seat Assy Removed

6 Bracket, Locator			5L8Z 78613E12 AA	\$45.67
7 Latch, Seat Back	R		6L8Z 7861382 AA	\$79.25
	L		6L8Z 7861383 AA	\$81.82
8 Cover, Latch	R		5L8Z 78666L76 AA	\$35.12
	L		5L8Z 78666L76 AA	\$35.12
9 Striker, Latch	R		N.A.	
	L		N.A.	
10 Pivot, Outer Seat Back	R		5L8Z 7860592 CD	\$38.90
	L		5L8Z 7860592 DD	\$51.28
11 Pivot, Inner	R		5L8Z 7860592 AA	\$57.63
	L		5L8Z 7860592 BB	\$48.93
12 Pad, Seat Back	08-09 R	#.5	6L8Z 7866800 AA	\$94.92
	L	#.5	6L8Z 7866801 AA	\$115.53
	10 R	#.5	AL8Z 7866800 A	\$84.53
	L	#.5	AL8Z 7866801 A	\$98.55
13 Trim, Seat Back				

2008

Cloth

Black

To 12-3-07

XLT Model

R	#.5	8L8Z 7866600 AK	\$209.23
L	#.5	8L8Z 7866601 AK	\$261.67

Limited Model

R	#.5	8L8Z 7866600 AJ	
L	#.5	8L8Z 7866601 AJ	

To 12-3-07

R	#.5	8L8Z 7866600 AG	\$210.00
L	#.5	8L8Z 7866601 AG	\$259.65

Camel

R	#.5	8L8Z 7866600 AH	\$206.78
L	#.5	8L8Z 7866601 AH	\$261.48

Stone

XLS Model

R	#.5	8L8Z 7866600 BA	\$111.83
L	#.5	8L8Z 7866601 DA	\$132.62

XLT Model

R	#.5	8L8Z 7866600 AF	\$208.68
L	#.5	8L8Z 7866601 AF	\$261.48

2009 Ford Escape Limited Utility

Leather				
Black				
XLT Model	R	#.5	8L8Z 7866600 DA	\$176.67
	L	#.5	8L8Z 7866601 CA	\$240.28
Limited Model				
	R	#.5	8L8Z 7866600 DD	\$176.50
	L	#.5	8L8Z 7866601 CD	\$240.28
Camel				
	R	#.5	8L8Z 7866600 DC	\$176.50
	L	#.5	8L8Z 7866601 CC	\$240.28
Stone				
	R	#.5	8L8Z 7866600 DB	\$176.50
	L	#.5	8L8Z 7866601 CB	\$240.28

2009

Cloth				
Black				
	R	#.5	9L8Z 7866600 AH	
	L	#.5	9L8Z 7866601 AH	\$259.82
Camel				
To 12-1-08	R	#.5	9L8Z 7866600 AG	\$210.53
	L	#.5	9L8Z 7866601 AG	\$264.52
From 12-2-08	R	#.5	9L8Z 7866600 AJ	\$210.35
	L	#.5	9L8Z 7866601 AJ	
Stone				
XLS Model	R	#.5	9L8Z 7866600 BA	\$164.00
	L	#.5	9L8Z 7866601 DA	\$128.00
XLT Model	R	#.5	9L8Z 7866600 AK	\$209.93
	L	#.5	9L8Z 7866601 AK	\$264.52
Leather				
Black				
	R	#.5	8L8Z 7866600 DD	\$176.50
	L	#.5	8L8Z 7866601 CD	\$240.28
Camel				
	R	#.5	8L8Z 7866600 DC	\$176.50
	L	#.5	8L8Z 7866601 CC	\$240.28
Stone				
	R	#.5	8L8Z 7866600 DB	\$176.50
	L	#.5	8L8Z 7866601 CB	\$240.28

2010

Cloth				
Black				
	R	#.5	AL8Z 7866600 AA	\$117.62
	L	#.5	AL8Z 7866601 AA	\$139.83
Camel				
	R	#.5	AL8Z 7866600 AB	\$117.62
	L	#.5	AL8Z 7866601 AB	\$139.83
Stone				
XLS Model	R	#.5	AL8Z 7866600 BA	\$163.25
	L	#.5	AL8Z 7866601 DA	\$127.60
XLT Model	R	#.5	AL8Z 7866600 AC	\$117.62
	L	#.5	AL8Z 7866601 AC	\$139.83
Leather				
Black				
	R	#.5	AL8Z 7866600 DC	\$169.95
	L	#.5	AL8Z 7866601 CC	\$186.95
Camel				
	R	#.5	AL8Z 7866600 DB	\$169.95

2009 Ford Escape Limited Utility

		L	#.5	AL8Z 7866601 CB	\$186.95
Stone		R	#.5	AL8Z 7866600 DA	\$169.95
		L	#.5	AL8Z 7866601 CA	\$186.95

#w/Rear Seat Assy Removed, R&R One Side Complete, Includes R&R Seat Back Frame

Bezel, Seat Back

14	Side	R		5L8Z 78624A09 AAA	\$47.12
		L		5L8Z 78624A09 AAA	\$47.12
15	Center Headrest			5L8Z 78611A70 AAC	\$22.53

16 Side

Cloth

	Black	08-09	R	#.1	8L8Z 78611A08 BD	\$118.58	
			L	#.1	8L8Z 78611A08 BD	\$118.58	
			10	R	#.1	AL8Z 78611A08 BA	\$77.68
				L	#.1	AL8Z 78611A08 BA	\$77.68

Camel

		2008	R	#.1	8L8Z 78611A08 BF	\$118.25
			L	#.1	8L8Z 78611A08 BF	\$118.25
		2009				
	To 12-1-08		R	#.1	8L8Z 78611A08 BF	\$118.25
			L	#.1	8L8Z 78611A08 BF	\$118.25
	From 12-2-08		R	#.1	9L8Z 78611A08 BJ	\$119.50
			L	#.1	9L8Z 78611A08 BJ	\$119.50
		2010	R	#.1	AL8Z 78611A08 BB	\$77.68
			L	#.1	AL8Z 78611A08 BB	\$77.68

Stone

		2008				
	XLS Model		R	#.1	8L8Z 78611A08 DA	\$131.42
			L	#.1	8L8Z 78611A08 DA	\$131.42
	XLT Model		R	#.1	8L8Z 78611A08 BE	\$118.58
			L	#.1	8L8Z 78611A08 BE	\$118.58
		2009				
	XLS Model		R	#.1	8L8Z 78611A08 DA	\$131.42
			L	#.1	8L8Z 78611A08 DA	\$131.42
	XLT Model		R	#.1	9L8Z 78611A08 BD	\$127.83
			L	#.1	9L8Z 78611A08 BD	\$127.83
		2010				
	XLS Model		R	#.1	AL8Z 78611A08 DA	\$77.68
			L	#.1	AL8Z 78611A08 DA	\$77.68
	XLT Model		R	#.1	AL8Z 78611A08 BC	\$77.68
			L	#.1	AL8Z 78611A08 BC	\$77.68

Leather

Black

2008

2009 Ford Escape Limited Utility

XLT Model	R	#.1	8L8Z 78611A08 HD	\$146.50
	L	#.1	8L8Z 78611A08 HD	\$146.50
Limited Model	R	#.1	8L8Z 78611A08 HC	\$145.75
	L	#.1	8L8Z 78611A08 HC	\$145.75
2009	R	#.1	8L8Z 78611A08 HC	\$145.75
	L	#.1	8L8Z 78611A08 HC	\$145.75
2010	R	#.1	AL8Z 78611A08 HC	\$91.60
	L	#.1	AL8Z 78611A08 HC	\$91.60
Camel	08-09 R	#.1	8L8Z 78611A08 HB	\$145.75
	L	#.1	8L8Z 78611A08 HB	\$145.75
10	R	#.1	AL8Z 78611A08 HB	\$91.60
	L	#.1	AL8Z 78611A08 HB	\$91.60
Stone	08-09 R	#.1	8L8Z 78611A08 HA	\$145.75
	L	#.1	8L8Z 78611A08 HA	\$145.75
10	R	#.1	AL8Z 78611A08 HA	\$91.60
	L	#.1	AL8Z 78611A08 HA	\$91.60
17 Center				
Cloth				
Black	08-09	#.1	8L8Z 78611A08 AB	\$108.58
	10	#.1	AL8Z 78611A08 AA	\$67.73
Camel	2008	#.1	8L8Z 78611A08 AD	\$108.58
	2009			
To 12-1-08		#.1	8L8Z 78611A08 AD	\$108.58
From 12-2-08		#.1	9L8Z 78611A08 AG	\$108.42
2010		#.1	AL8Z 78611A08 AB	\$67.73
Stone				
2008				
XLS Model		#.1	8L8Z 78611A08 CD	\$110.92
XLT Model		#.1	8L8Z 78611A08 AC	\$108.58
2009				
XLS Model		#.1	8L8Z 78611A08 CD	\$110.92
XLT Model		#.1	9L8Z 78611A08 AE	\$116.83
2010				
XLS Model		#.1	AL8Z 78611A08 CA	\$67.73
XLT Model		#.1	AL8Z 78611A08 AC	\$67.73
Leather				
Black				
2008				
XLT Model		#.1	8L8Z 78611A08 GD	\$92.18
Limited Model		#.1	8L8Z 78611A08 GC	\$125.75
2009		#.1	8L8Z 78611A08 GC	\$125.75
2010		#.1	AL8Z 78611A08 GC	\$80.07
Camel	08-09	#.1	8L8Z 78611A08 GB	\$125.75
	10	#.1	AL8Z 78611A08 GB	\$80.07
Stone	08-09	#.1	8L8Z 78611A08 GA	\$125.75

2009 Ford Escape Limited Utility

10 #.1 AL8Z 78611A08 GA \$80.07

#Included in R&R Seat Back Pad

18 Guide, Headrest

Locking, (3)

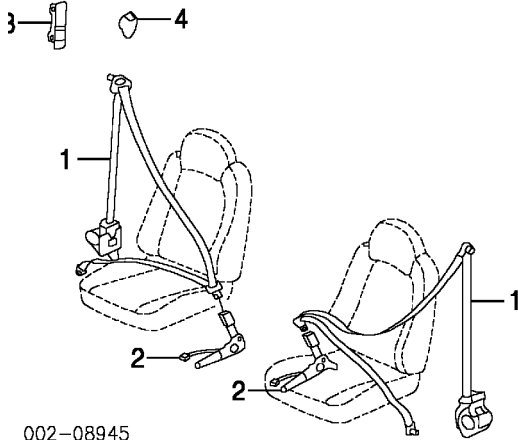
5L8Z 78610A16 AAA \$33.93

Non-Locking, (3)

5L8Z 78610A16 BAA \$25.92

## SEAT BELTS

### FRONT



002-08945

#### 1 Belt, Front Seat

Black

08 R	#.2	8L8Z 78611B08 AF	\$195.23
L	#.2	8L8Z 78611B09 AF	\$182.77
09 R	#.2	8L8Z 78611B08 AF	\$195.23
L	#.2	9L8Z 78611B09 AC	\$201.08
10 R	#.2	8L8Z 78611B08 AF	\$195.23
L	#.2	AL8Z 78611B09 AC	\$216.17
08 R	#.2	8L8Z 78611B08 AE	\$245.70
L	#.2	8L8Z 78611B09 AE	\$172.35
09 R	#.2	8L8Z 78611B08 AE	\$245.70
L	#.2	9L8Z 78611B09 AB	\$201.08
10 R	#.2	8L8Z 78611B08 AE	\$245.70
L	#.2	AL8Z 78611B09 AB	\$180.13
08 R	#.2	8L8Z 78611B08 AD	\$195.42
L	#.2	8L8Z 78611B09 AD	\$149.40
09 R	#.2	8L8Z 78611B08 AD	\$195.42
L	#.2	9L8Z 78611B09 AA	\$201.08
10 R	#.2	8L8Z 78611B08 AD	\$195.42
L	#.2	AL8Z 78611B09 AA	\$180.13

#w/Center Pillar Lower Trim Panel Removed

Pretensioner, Seat Belt-Serviced w/Front Seat Belt

#### 2 Buckle, Seat Belt

Right

R #.2 9L8Z 7861202 AA \$92.75

Left

Man Seat

L #.2 9L8Z 7861203 AA \$81.70

Pwr Seat

L #.2 9L8Z 7861203 BA \$80.20

2009 Ford Escape Limited Utility

#w/Front Seat Assy Removed

3 Adjuster, Seat Belt

Black

2008	R	8L8Z 78602B82 CA	\$40.72
	L	8L8Z 78602B82 CA	\$40.72
2009			
To 12-1-08	R	8L8Z 78602B82 CA	\$40.72
	L	8L8Z 78602B82 CA	\$40.72
From 12-2-08	R	9L8Z 78602B82 BA	\$41.23
	L	9L8Z 78602B82 BA	\$41.23
2010	R	9L8Z 78602B82 BA	\$41.23
	L	9L8Z 78602B82 BA	\$41.23
Camel, Stone	R	9L8Z 78602B82 BB	\$41.23
	L	9L8Z 78602B82 BB	\$41.23

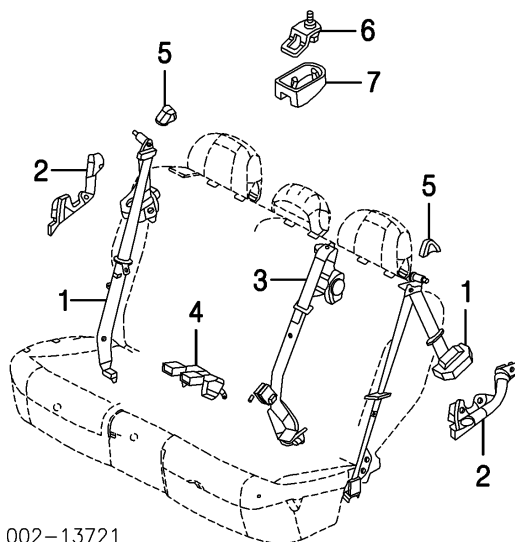
4 Cover, Anchor

Black

Camel, Stone

R	8L8Z 7860262 AA	\$4.78
L	8L8Z 7860262 AA	\$4.78
R	8L8Z 7860262 AB	\$4.78
L	8L8Z 7860262 AB	\$4.78

REAR



002-13721

1 Belt, Outer Seat

Black

Camel

08	R	#.2	8L8Z 78611B68 AF	\$74.40
	L	#.2	8L8Z 78611B69 AF	\$68.95
09-10	R	#.2	9L8Z 78611B68 BC	\$68.60
	L	#.2	9L8Z 78611B69 BC	\$68.60
2008				
To 8-10-07	R	#.2	8L8Z 78611B68 AB	\$82.77

2009 Ford Escape Limited Utility

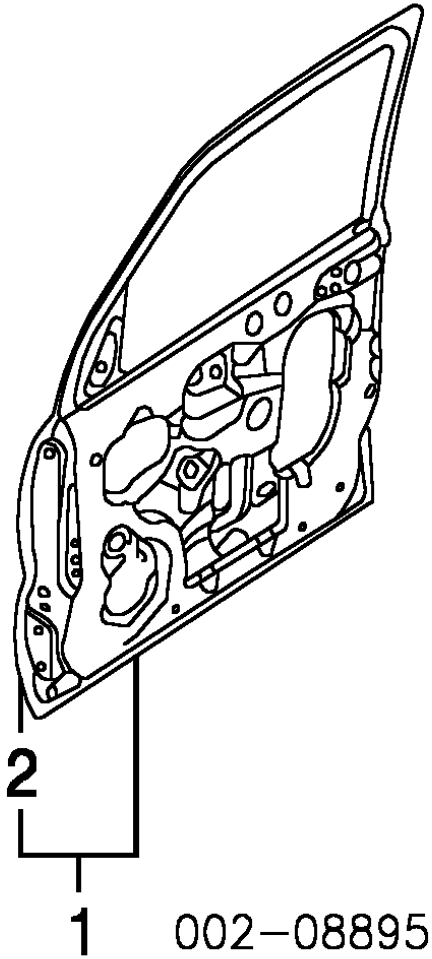
	L	#.2	8L8Z 78611B69 AE	\$70.47
From 8-11-07	R	#.2	8L8Z 78611B68 AE	\$74.40
	L	#.2	8L8Z 78611B69 AE	\$70.47
2009-10	R	#.2	9L8Z 78611B68 BB	\$68.60
	L	#.2	9L8Z 78611B69 BB	\$68.60
Stone	08 R	#.2	8L8Z 78611B68 AD	\$87.42
	L	#.2	8L8Z 78611B69 AD	\$58.88
	09-10 R	#.2	9L8Z 78611B68 BA	\$68.60
	L	#.2	9L8Z 78611B69 BA	\$68.60
#w/Rear Seat Assy Removed				
2 Plate, Seat Belt	08 R		5L8Z 7860150 AA	\$21.32
	L		8L8Z 7860151 A	\$25.72
	09-10 R		8L8Z 7860151 A	\$25.72
	L		8L8Z 7860151 A	\$25.72
3 Belt/Buckle, Center Seat				
Black	08-09	#.2	AL8Z 78611B64 AC	\$89.72
	10	#.2	AL8Z 78611B64 AC	\$89.72
Camel	08-09	#.2	8L8Z 78611B64 AB	\$94.93
	10	#.2	AL8Z 78611B64 AB	\$74.77
Stone	08-09	#.2	AL8Z 78611B64 AA	\$89.78
	10	#.2	AL8Z 78611B64 AA	\$89.78
4 Buckle Set, Seat Belt				
Black		#.2	AL8Z 7860044 AC	\$24.20
Camel		#.2	AL8Z 7860044 AB	\$24.92
Stone		#.2	AL8Z 7860044 AA	\$24.20
#w/Rear Seat Assy Removed				
5 Cover, Seat Belt				
Black	R		8L8Z 78613C46 AA	\$6.17
	L		8L8Z 78613C46 AA	\$6.17
Camel, Stone	R		8L8Z 78613C46 AB	\$6.17
	L		8L8Z 78613C46 AB	\$6.17
6 Anchor, Child Seat (3)			6L8Z 78613E72 AA	
7 Cover, Anchor (3)				
Black			8L8Z 78616B00 AA	\$5.13
Camel, Stone			8L8Z 78616B00 AB	\$5.13



## FRONT DOOR

Procedures 16 and 28

SHEET METAL



Refinish Door Outside

R 2.3

L 2.3

Add for Jambs & Interior

R 1.0

L 1.0

Add for Jambs

R .5

L .5

R&I Door Assy

R .7

L .7

1 Shell Assy, Door

Right

R #5.0 8L8Z 7820124 A \$719.60

Left

w/Keyless Entry

L #5.3 8L8Z 7820125 B \$795.13

2009 Ford Escape Limited Utility

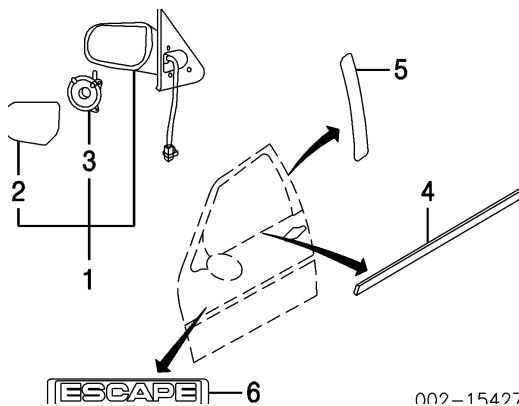
w/o Keyless Entry	L	#5.0	8L8Z 7820125 A	\$795.13
	L	#5.0	9L8Z 7820125 A	\$537.10
#Includes R&R Mirror				
2 Panel, Door Repair†				
Right	R	#7.0	8L8Z 7820200 A	\$323.93
Left				
w/Keyless Entry	L	#7.3	8L8Z 7820201 B	\$275.48
w/o Keyless Entry	L	#7.0	8L8Z 7820201 A	\$323.93
	L	#7.0	9L8Z 7820201 A	\$360.00
			TA 1	
Adhesive, Panel Bonding (a)				\$49.98

†Included w/Door Shell Assy

(a) As Required

#Includes R&R Mirror & Door Glass

**EXTERIOR TRIM**



Refinish Rear View Mirror Assy	R	#.7		
	L	#.7		

#Includes Necessary Masking

Refinish Door Moulding Assy	R	.5		
	L	.5		
R&I Rear View Mirror Assy	R	.3		
	L	.3		
R&I Outer Belt Moulding	R	.2		
	L	.2		
R&I Upper Door Moulding	R	#.5		
	L	#.5		

#Includes R&I Outer Belt Moulding

2009 Ford Escape Limited Utility

1 Mirror Assy, Rear View

		2008	
Black			
Heated	R	.3 8L8Z 17682 CA	\$152.40
	L	.3 9L8Z 17683 CA	\$176.13
Non-Heated	R	.3 9L8Z 17682 AA	\$140.58
	L	.3 9L8Z 17683 AA	\$134.85
Paint to Match			
Heated	R	.3 9L8Z 17682 DA	\$173.92
	L	.3 8L8Z 17683 DA	\$149.82
Non-Heated	R	.3 9L8Z 17682 BA	\$139.92
	L	.3 8L8Z 17683 BA	\$141.48
		2009	
To 6-1-09			
Black			
Heated	R	.3 8L8Z 17682 CA	\$152.40
	L	.3 9L8Z 17683 CA	\$176.13
Non-Heated	R	.3 9L8Z 17682 AA	\$140.58
	L	.3 9L8Z 17683 AA	\$134.85
Paint to Match			
Heated	R	.3 9L8Z 17682 DA	\$173.92
	L	.3 8L8Z 17683 DA	\$149.82
Non-Heated	R	.3 9L8Z 17682 BA	\$139.92
	L	.3 8L8Z 17683 BA	\$141.48
From 6-2-09			
Black			
Heated	R	.3 9L8Z 17682 CA	\$177.02
	L	.3 9L8Z 17683 CA	\$176.13
Non-Heated	R	.3 9L8Z 17682 AA	\$140.58
	L	.3 9L8Z 17683 AA	\$134.85
Paint to Match			
Heated	R	.3 9L8Z 17682 DA	\$173.92
	L	.3 9L8Z 17683 DA	\$172.82
Non-Heated	R	.3 9L8Z 17682 BA	\$139.92
	L	.3 9L8Z 17683 BA	\$160.63
		2010	
Black			
Heated	R	.3 AL8Z 17682 CA	\$215.22
	L	.3 AL8Z 17683 CA	\$206.77
Non-Heated	R	.3 AL8Z 17682 AA	\$209.53
	L	.3 AL8Z 17683 AA	\$241.38
Paint to Match			
	R	.3 AL8Z 17682 DAPTM	\$241.60
	L	.3 AL8Z 17683 DAPTM	\$233.22

2 Glass, Mirror

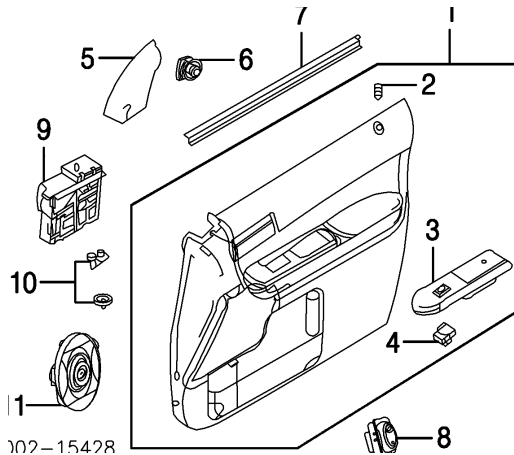
2008-09

Heated	R	.3 8L8Z 17K707 B	\$38.10
--------	---	------------------	---------

2009 Ford Escape Limited Utility

	L	.3	8L8Z 17K707 D	\$32.62
Non-Heated	R	.3	8L8Z 17K707 A	\$29.40
	L	.3	8L8Z 17K707 C	\$24.10
2010				
w/BLIS				
Heated	R	.3	AL8Z 17K707 B	\$95.23
	L	.3	AL8Z 17K707 E	\$86.78
Non-Heated	R	.3	AL8Z 17K707 A	\$90.90
	L	.3	AL8Z 17K707 D	\$81.18
w/o BLIS	R	.3	8L8Z 17K707 A	\$29.40
	L	.3	8L8Z 17K707 C	\$24.10
3 Motor, Mirror¶	08-09 R		6U5Z 17D696 C	\$36.80
	L		6U5Z 17D696 C	\$36.80
	10 R		AU5Z 17D696 A	\$15.42
	L		AU5Z 17D696 A	\$15.42
¶Included w/Rear View Mirror Assy				
4 Moulding, Outer Belt	R	.2	9L8Z 7821452 BA	\$35.70
	L	.2	9L8Z 7821453 BA	\$35.70
5 Moulding, Upper Door	R	#.3	8L8Z 7820554 AA	\$40.30
	L	#.3	8L8Z 7820555 AA	\$39.90
#w/Outer Belt Moulding Removed				
Rivet, Moulding (a)	R		* W713201 S303	\$1.50
	L		* W713201 S303	\$1.50
(a) As Required				
6 Nameplate (Adhesive)				
"ESCAPE"	R	.2	8L8Z 16720 A	\$12.82
	L	.2	8L8Z 16720 B	\$12.82

INTERIOR TRIM



R&I Trim Panel

R

.3

2009 Ford Escape Limited Utility

L .3

NOTE: All Parts in this section are included in R&R Trim Panel unless noted otherwise.

1 Panel Assy, Door Trim

2008

XLS Model	R	.4	9L8Z 7823942 FA	\$218.18
	L	.4	9L8Z 7823943 FA	\$275.90
XLT Model				
Black	R	.4	8L8Z 7823942 BC	\$274.92
	L	.4	8L8Z 7823943 BC	\$283.70
Camel	R	.4	8L8Z 7823942 BB	\$184.75
	L	.4	8L8Z 7823943 BB	\$283.70
Stone	R	.4	8L8Z 7823942 BA	\$229.10
	L	.4	8L8Z 7823943 BA	\$283.70
Limited Model				
Black	R	.4	8T2Z 7823942 DC	\$249.62
	L	.4	8T2Z 7823943 DC	\$307.98
Camel	R	.4	8T2Z 7823942 DD	\$249.73
	L	.4	8T2Z 7823943 DD	\$307.98

2009-10

Cloth Seats

Black	R	.4	9L8Z 7823942 EA	\$301.78
	L	.4	9L8Z 7823943 EA	\$369.98
Camel	R	.4	9L8Z 7823942 BB	\$279.45
	L	.4	9L8Z 7823943 BB	\$355.05
Stone				
XLS Model	R	.4	9L8Z 7823942 FA	\$218.18
	L	.4	9L8Z 7823943 FA	\$275.90
XLT Model	R	.4	9L8Z 7823942 BA	\$279.45
	L	.4	9L8Z 7823943 BA	\$355.05

Leather Seats

Black				
XLT Model	R	.4	9L8Z 7823942 CC	\$283.75
	L	.4	9L8Z 7823943 CC	\$355.43
Limited Model	R	.4	9L8Z 7823942 DB	\$340.72
	L	.4	9L8Z 7823943 DB	\$412.83
Camel				
XLT Model	R	.4	9L8Z 7823942 CB	\$283.75
	L	.4	9L8Z 7823943 CB	\$355.43
Limited Model	R	.4	9L8Z 7823942 DA	\$340.72
	L	.4	9L8Z 7823943 DA	\$412.83
Stone				
XLT Model	R	.4	9L8Z 7823942 CA	\$283.75
	L	.4	9L8Z 7823943 CA	\$355.43
Limited Model	R	.4	9L8Z 7823942 DD	\$408.87

2009 Ford Escape Limited Utility

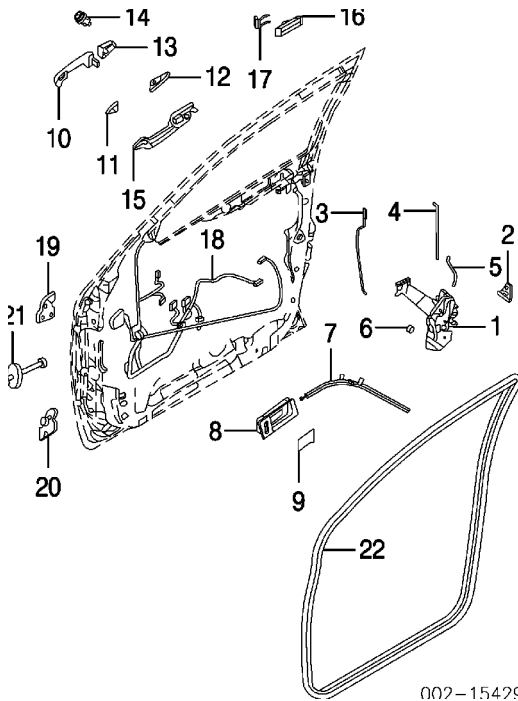
		L		.4	9L8Z 7823943 DD	\$412.83
2	Grommet, Lock Knob¶	R			8L8Z 1521999 AA	\$2.40
		L			8L8Z 1521999 AA	\$2.40
3	Housing, Switch¶					
	XLS Model	R	#.2		8L8Z 14527 AC	\$20.50
		L	#.2		8L8Z 14528 AC	\$36.87
	XLT Model					
				2008		
		R	#.2		8L8Z 14528 BA	\$40.98
		L	#.2		8L8Z 14527 BC	\$44.55
	2009-10					
	w/Appearance Pkg	R	#.2		8L8Z 14528 DA	\$64.58
		L	#.2		8L8Z 14527 DA	\$64.52
	w/o Appearance Pkg	R	#.2		8L8Z 14528 BA	\$40.98
		L	#.2		8L8Z 14527 BC	\$44.55
	Limited Model	R	#.2		8L8Z 14528 DA	\$64.58
		L	#.2		8L8Z 14527 DA	\$64.52
4	Switch, Window¶	R	#.2		8L8Z 14529 AB	\$68.98
		L	#.2		8L8Z 14529 AC	\$73.12
	¶Included w/Door Trim Panel Assy					
	#R&R One Side Complete					
5	Cover, Inner Mirror					
	Black	R	#.1		8L8Z 17K709 AE	\$16.33
		L	#.1		9L8Z 17K709 BC	\$38.70
	Camel	R	#.1		8L8Z 17K709 AD	\$16.18
		L	#.1		9L8Z 17K709 BB	\$38.70
	Stone	R	#.1		8L8Z 17K709 AC	\$16.33
		L	#.1		9L8Z 17K709 BA	\$38.57
	#Included in R&L/R&R Mirror Assy					
6	Switch, Mirror	L		.2	8F9Z 17B676 A	\$15.50
7	Moulding, Inner Belt	R			8L8Z 7821456 C	\$43.50
		L			8L8Z 7821457 C	\$36.75
8	Switch, Door Lock	R			8L8Z 14028 AA	\$25.43
		L			8L8Z 14028 AA	\$25.43
9	Absorber, Energy	R			8L8Z 7840380 A	\$31.83
		L			8L8Z 7840380 B	\$31.83
10	Bracket, Handle	R			9L8Z 78226A20 A	\$4.93
		L			9L8Z 78226A20 A	\$4.93
11	Speaker, Door					
	4 Speaker System					
				2008		
	To 12-3-07	R	#.2		7U5Z 18808 B	\$24.84
		L	#.2		7U5Z 18808 B	\$24.84
	From 12-4-07	R	#.2		8R3Z 18808 B	\$22.59

2009 Ford Escape Limited Utility

	L	#.2	8R3Z 18808 B	\$22.59
2009-10	R	#.2	8R3Z 18808 B	\$22.59
	L	#.2	8R3Z 18808 B	\$22.59
6 Speaker System	10 R	#.2	8L8Z 18808 BA	\$64.37
	L	#.2	8L8Z 18808 BA	\$64.37
7 Speaker System	R	#.2	8L8Z 18808 BA	\$64.37
	L	#.2	8L8Z 18808 BA	\$64.37
Shield, Moisture	R	#	9L8Z 78237A04 C	\$53.32
	L	#	9L8Z 78237A05 C	\$53.32

#w/Trim Panel Removed, Not Included in R&R Trim Panel

**HARDWARE**



Refinish Outside Handle	R	.5	
	L	.5	
Refinish Handle Cap	R	.3	
	L	.3	
Refinish Upper Hinge	R	.5	
	L	.5	
Refinish Lower Hinge	R	.5	
	L	.5	
R&I Keyless Entry Pad	L	#.6	
R&I Outside Handle	R	#.6	
	L	#.6	

#Includes R&I Trim Panel

2009 Ford Escape Limited Utility

1 Latch, Door	R	#.3	9L8Z 7821812 A	\$200.57
	L	#.3	9L8Z 7821813 A	\$195.17
#w/Trim Panel Removed				
2 Striker, Latch	R	.2	8L8Z 7822008 A	\$17.35
	L	.2	8L8Z 7822008 A	\$17.35
3 Rod, Lock	R		8L8Z 7821852 A	\$11.62
	L		8L8Z 7821853 A	\$11.62
4 Rod, Outside Handle	R		8L8Z 7822152 A	\$8.63
	L		8L8Z 7822152 A	\$8.63
5 Rod, Lock Cylinder	L		8L8Z 7822135 A	\$8.47
6 Retainer, Latch	R		8S4Z 5421952 A	\$13.32
	L		8S4Z 5421952 A	\$13.32
7 Cable, Latch	R		8L8Z 78221A00 A	\$22.62
	L		8L8Z 78221A00 A	\$22.62
8 Handle, Inside Door				
w/Chrome				
Black	R	#.2	8L8Z 7822600 BC	\$42.87
	L	#.2	8L8Z 7822601 BF	\$42.53
Camel	R	#.2	8L8Z 7822600 BB	\$51.43
	L	#.2	8L8Z 7822601 BB	\$51.02
Stone	R	#.2	8L8Z 7822600 BA	\$51.02
	L	#.2	8L8Z 7822601 BA	\$51.02
w/o Chrome				
Black	R	#.2	8L8Z 7822600 AC	\$51.02
	L	#.2	8L8Z 7822601 AC	\$40.38
Camel	R	#.2	8L8Z 7822600 AB	\$42.52
	L	#.2	8L8Z 7822601 AB	\$48.18
Stone	R	#.2	8L8Z 7822600 AA	\$38.27
	L	#.2	8L8Z 7822601 AA	\$48.47
#w/Trim Panel Removed				
9 Escutcheon, Handle				
Black	R		8L8Z 7822620 AC	\$4.77
	L		8L8Z 7822621 AC	\$4.77
Camel	R		8L8Z 7822620 AB	\$4.62
	L		8L8Z 7822621 AB	\$4.77
Stone	R		8L8Z 7822620 AA	\$4.77
	L		8L8Z 7822621 AA	\$4.77
10 Handle, Outside Door				
Black	R	#.3	8L8Z 7822404 AB	\$14.10
	L	#.3	8L8Z 7822404 AB	\$14.10
Paint to Match	R	#.3	8L8Z 7822404	\$40.03
	L	#.3	8L8Z 7822404	\$40.03
11 Pad, Front Handle	R		YS4Z 5422042 AA	\$6.13
	L		YS4Z 5422042 AA	\$6.13
12 Pad, Rear Handle	R		YS4Z 5422042 BA	\$6.13
	L		YS4Z 5422042 BA	\$6.13



2009 Ford Escape Limited Utility

13 Cap, Handle					
2008-09					
Black	R	#.3	8L8Z 78218B08 AB	\$8.93	
	L	#.3	8L8Z 78218A14 AB	\$10.55	
Paint to Match	R	#.3	8L8Z 78218B08	\$15.40	
	L	#.3	AL8Z 78218A14	\$8.62	
					2010
To 8-26-09					
Black	R	#.3	8L8Z 78218B08 AB	\$8.93	
	L	#.3	8L8Z 78218A14 AB	\$10.55	
Paint to Match	R	#.3	8L8Z 78218B08	\$15.40	
	L	#.3	AL8Z 78218A14	\$8.62	
From 8-27-09					
Black	R	#.3	AL8Z 78218B08 AA	\$8.93	
	L	#.3	AL8Z 78218A14 AA	\$8.82	
Paint to Match	R	#.3	AL8Z 78218B08	\$13.87	
	L	#.3	AL8Z 78218A14	\$8.62	
#R&R One Side Complete, w/Trim Panel Removed					
14 Cylinder, Door Lock	L	#.4	8E5Z 5421991 B	\$66.00	
#w/Outside Handle Removed, Included in R&R Outside Handle Bracket					
15 Brkt, Outside Handle	R	#.3	8L8Z 7826684 A	\$29.62	
	L	#.4	8L8Z 7826685 A	\$30.80	
#w/Outside Handle Removed					
16 Pad, Keyless Entry	L	#.3	8L8Z 14A626 AA	\$74.33	
#w/Trim Panel Removed					
17 Clip, Pad	L		XW1Z 14A667 AA	\$5.19	
18 Harness, Door Wiring					
Right					
Heated Mirror	R		8L8Z 14630 BA	\$62.52	
Non-Heated Mirror	R		8L8Z 14630 AA	\$62.52	
Left					
w/Keyless Entry					
Heated Mirror	L		8L8Z 14631 DA	\$81.98	
Non-Heated Mirror	L		8L8Z 14631 CA	\$62.03	
w/o Keyless Entry					
Heated Mirror	L		8L8Z 14631 BA	\$59.68	
Non-Heated Mirror	L		8L8Z 14631 AA	\$64.58	
19 Hinge, Upper Door	R	#.2	7L8Z 7822800 A	\$32.00	
	L	#.2	7L8Z 7822801 A	\$26.57	

#w/Fender, Instrument Panel & Door Removed

2009 Ford Escape Limited Utility

20 Hinge, Lower Door	R	#.3	7L8Z 7822810 A	\$22.60
	L	#.3	7L8Z 7822811 A	\$22.50

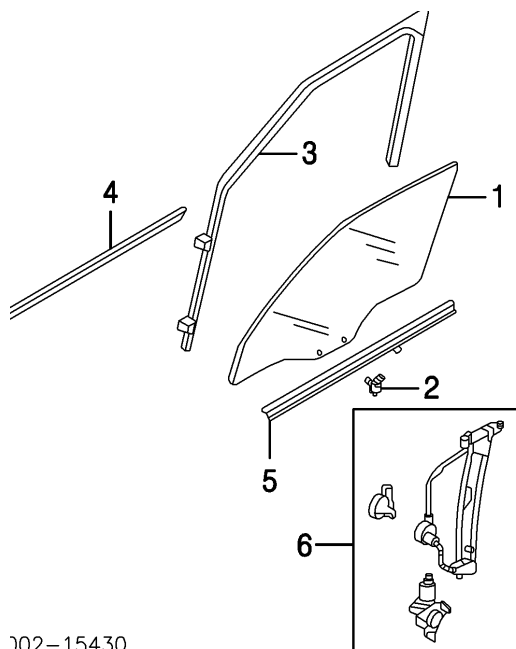
#w/Fender & Door Removed, Includes R&R Cowl Trim Panel

21 Check, Door	R	#.2	8L8Z 7823552 A	\$20.62
	L	#.2	8L8Z 7823552 A	\$20.62

#w/Trim Panel Removed

22 W/Strip, Front Door Opng-See Rocker/Pillars/Floor Section

GLASS & PARTS



002-15430

1 Glass, Front Door				
Ford	R	1.0	8L8Z 7821410 A	\$307.27
	L	1.0	8L8Z 7821411 A	\$267.93
NAGS	R	1.0	DD11259GTN	\$282.30
	L	1.0	DD11260GTN	\$282.30
2 Retainer, Glass (a)	R		8L8Z 78214A56 A	\$6.23
	L		8L8Z 78214A56 A	\$6.23
(a) As Required				
3 Run, Glass	R	#.2	8L8Z 7821546 B	\$128.33
	L	#.2	8L8Z 7821547 B	\$128.33

#w/Door Glass Removed

4 Moulding, Outer Belt-See Exterior Trim Section

2009 Ford Escape Limited Utility

5 Moulding, Inner Belt-See Interior Trim Section

6 Regulator/Motor, Window

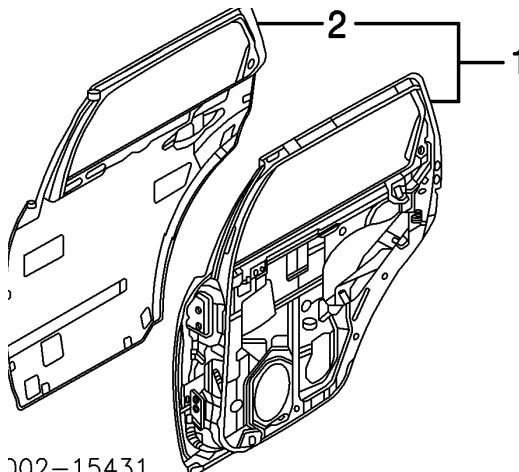
R	#.8	8L8Z 7823200 A	\$81.98
L	#.8	8L8Z 7823201 A	\$81.98

#w/Door Glass Removed Deduct .6

## REAR DOOR

Procedures 16 and 28

### SHEET METAL



707-15431

Refinish Door Outside

R 2.3

L 2.3

Add for Jamb & Interior

R 1.0

L 1.0

Add for Jamb

R .5

L .5

R&I Door Assy

R .7

L .7

1 Shell Assy, Door

R 4.5 8L8Z 7824630 A \$508.30

L 4.5 8L8Z 7824631 A \$508.30

2 Panel, Door Repair¶

R #7.0 8L8Z 7824700 A \$347.65

L #7.0 8L8Z 7824701 A \$304.30

#Includes R&R Door Glass

Adhesive, Panel Bonding (a)

TA 1

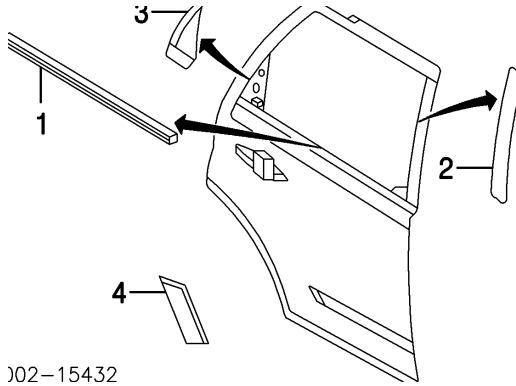
\$49.98

¶Included w/Door Shell Assy

(a) As Required

### EXTERIOR TRIM

2009 Ford Escape Limited Utility



02-15432

R&I Outer Belt Moulding

R .2  
L .2

R&I Upper Door Moulding

R #.5  
L #.5

#Includes R&I Outer Belt Moulding

R&I Corner Moulding

R .2  
L .2

1 Moulding, Outer Belt

R .2 9L8Z 7825596 BA \$25.60  
L .2 9L8Z 7825597 BA \$25.60

2 Moulding, Upper Door

R #.3 8L8Z 78255A34 AA \$49.65  
L #.3 8L8Z 78255A35 AA \$49.65

#w/Outer Belt Moulding Removed

Rivet, Moulding (a)

R \* W713201 S303 \$1.50  
L \* W713201 S303 \$1.50

(a) As Required

3 Moulding, Corner

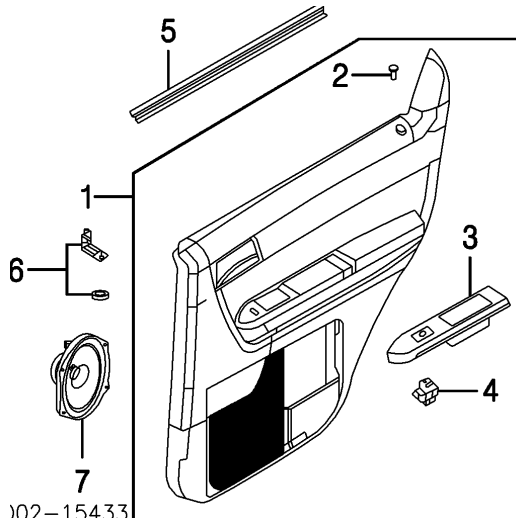
R .2 8L8Z 7825532 AA \$16.87  
L .2 8L8Z 7825533 AA \$17.43

4 Guard, Stone

R .2 8L8Z 99292A22 A \$15.60  
L .2 8L8Z 99292A23 A \$15.60

INTERIOR TRIM

2009 Ford Escape Limited Utility



R&I Trim Panel

R	.3
L	.3

NOTE: All Parts in this section are included in R&R Trim Panel unless noted otherwise.

1 Panel Assy, Door Trim

2008

Black	R	.4	8L8Z 7827406 AC	\$208.87
	L	.4	8L8Z 7827407 AC	\$250.63
Camel	R	.4	8L8Z 7827406 AB	\$208.93
	L	.4	8L8Z 7827407 AB	\$245.92
Stone	R	.4	8L8Z 7827406 AA	\$209.15
	L	.4	8L8Z 7827407 AA	\$205.12

2009-10

Cloth Seats

Black	R	.4	9L8Z 7827406 DA	\$268.13
	L	.4	9L8Z 7827407 DA	\$268.13
Camel	R	.4	9L8Z 7827406 BB	\$249.28
	L	.4	9L8Z 7827407 BB	\$271.75
Stone				
XLS Model	R	.4	8L8Z 7827406 AA	\$209.15
	L	.4	8L8Z 7827407 AA	\$205.12
XLT Model	R	.4	9L8Z 7827406 BA	\$247.63
	L	.4	9L8Z 7827407 BA	\$271.75

Leather Seats

Black	R	.4	9L8Z 7827406 CD	\$308.53
	L	.4	9L8Z 7827407 CD	\$256.77
Camel	R	.4	9L8Z 7827406 CC	\$257.12
	L	.4	9L8Z 7827407 CC	\$256.77
Stone	R	.4	9L8Z 7827406 CB	\$257.12
	L	.4	9L8Z 7827407 CB	\$256.77

2009 Ford Escape Limited Utility

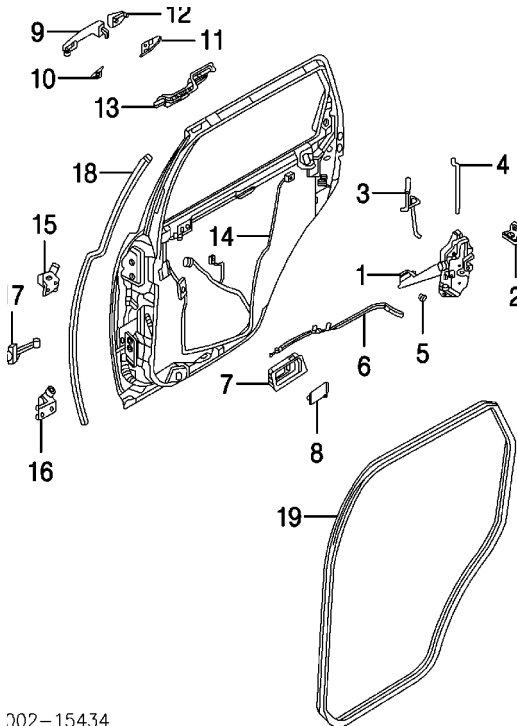
2 Grommet, Lock Knob¶		R		8L8Z 1521999 AA	\$2.40
		L		8L8Z 1521999 AA	\$2.40
3 Housing, Switch¶					
	2008				
Black		R	#.2	8L8Z 14528 AE	\$25.00
		L	#.2	8L8Z 14527 AE	\$22.58
Camel		R	#.2	8L8Z 14528 AD	\$21.25
		L	#.2	8L8Z 14527 AD	\$22.58
Stone		R	#.2	8L8Z 14528 AF	\$25.70
		L	#.2	8L8Z 14527 AF	\$43.68
2009-10					
XLS Model		R	#.2	8L8Z 14528 AF	\$25.70
		L	#.2	8L8Z 14527 AF	\$43.68
XLT Model					
Black		R	#.2	8L8Z 14528 AE	\$25.00
		L	#.2	8L8Z 14527 AE	\$22.58
Camel		R	#.2	8L8Z 14528 AD	\$21.25
		L	#.2	8L8Z 14527 AD	\$22.58
Stone		R	#.2	8L8Z 14528 AF	\$25.70
		L	#.2	8L8Z 14527 AF	\$43.68
Limited Model		R	#.2	8L8Z 14528 CA	\$65.00
		L	#.2	8L8Z 14527 CA	\$65.00
4 Switch, Window¶		R	#.2	8L8Z 14529 AB	\$68.98
		L	#.2	8L8Z 14529 AB	\$68.98
¶Included w/Door Trim Panel Assy					
#R&R One Side Complete					
5 Moulding, Inner Belt		R		8L8Z 7825860 B	\$27.37
		L		8L8Z 7825861 B	\$27.37
6 Bracket, Handle		R		8L8Z 78226A20 B	\$5.97
		L		8L8Z 78226A20 B	\$5.97
7 Speaker, Door					
	2008				
To 12-3-07		R	#.2	7U5Z 18808 B	\$24.84
		L	#.2	7U5Z 18808 B	\$24.84
From 12-4-07		R	#.2	8R3Z 18808 B	\$22.59
		L	#.2	8R3Z 18808 B	\$22.59
	2009				
		R	#.2	8R3Z 18808 B	\$22.59
		L	#.2	8R3Z 18808 B	\$22.59
	2010				
4 Speaker, 7 Speaker System		R	#.2	8R3Z 18808 B	\$22.59
		L	#.2	8R3Z 18808 B	\$22.59
6 Speaker System		R	#.2	7U5Z 18808 B	\$24.84
		L	#.2	7U5Z 18808 B	\$24.84

2009 Ford Escape Limited Utility

Shield, Moisture	08 R	#	8L8Z 7827458 A	\$39.43
	L	#	8L8Z 7827459 A	\$39.43
	09-10 R	#	9L8Z 7827458 B	\$65.65
	L	#	9L8Z 7827458 B	\$65.65

#w/Trim Panel Removed, Not Included in R&R Trim Panel

**HARDWARE**



002-15434

<b>Refinish Outside Handle</b>	R	.5		
	L	.5		
<b>Refinish Handle Cap</b>	R	.3		
	L	.3		
<b>Refinish Upper Hinge</b>	R	.5		
	L	.5		
<b>Refinish Lower Hinge</b>	R	.5		
	L	.5		
<b>R&amp;I Outside Handle</b>	R	#.6		
	L	#.6		
<b>#Includes R&amp;I Trim Panel</b>				
1 Latch, Door	R	#.3	9L8Z 7826412 A	\$194.27
	L	#.3	9L8Z 7826413 A	\$194.27
<b>#w/Trim Panel Removed</b>				
2 Striker, Latch	R	.2	8L8Z 7822008 A	\$17.35
	L	.2	8L8Z 7822008 A	\$17.35



2009 Ford Escape Limited Utility

3 Rod, Lock	R		8L8Z 7826460 A	\$11.17
	L		8L8Z 7826461 A	\$11.17
4 Rod, Outside Handle	R		8L8Z 7826596 A	\$6.22
	L		8L8Z 7826596 A	\$6.22
5 Retainer, Latch	R		8S4Z 5421952 A	\$13.32
	L		8S4Z 5421952 A	\$13.32
6 Cable, Latch	R		8L8Z 78266A46 A	\$23.00
	L		8L8Z 78266A46 A	\$23.00
7 Handle, Inside Door				
w/Chrome				
Black	R	#.2	8L8Z 7822600 BF	\$53.30
	L	#.2	8L8Z 7822601 BD	\$51.02
Camel	R	#.2	8L8Z 7822600 BE	\$42.87
	L	#.2	8L8Z 7822601 BE	\$56.70
Stone	R	#.2	8L8Z 7822600 BD	\$51.43
	L	#.2	8L8Z 7822601 BC	\$42.52
w/o Chrome				
Black	R	#.2	8L8Z 7822600 AF	\$45.92
	L	#.2	8L8Z 7822601 AF	\$48.18
Camel	R	#.2	8L8Z 7822600 AE	\$42.28
	L	#.2	8L8Z 7822601 AE	\$48.18
Stone	R	#.2	8L8Z 7822600 AD	\$42.28
	L	#.2	8L8Z 7822601 AD	\$40.15
#w/Trim Panel Removed				
8 Escutcheon, Handle				
Black	R		8L8Z 7822620 AC	\$4.77
	L		8L8Z 7822621 AC	\$4.77
Camel	R		8L8Z 7822620 AB	\$4.62
	L		8L8Z 7822621 AB	\$4.77
Stone	R		8L8Z 7822620 AA	\$4.77
	L		8L8Z 7822621 AA	\$4.77
9 Handle, Outside Door				
Black	R	#.3	8L8Z 7822404 AB	\$14.10
	L	#.3	8L8Z 7822404 AB	\$14.10
Paint to Match	R	#.3	8L8Z 7822404	\$40.03
	L	#.3	8L8Z 7822404	\$40.03
10 Pad, Front Handle	R		YS4Z 5422042 AA	\$6.13
	L		YS4Z 5422042 AA	\$6.13
11 Pad, Rear Handle	R		YS4Z 5422042 BA	\$6.13
	L		YS4Z 5422042 BA	\$6.13
12 Cap, Handle				
2008-09				
Black	R	#.3	8L8Z 78218B08 AB	\$8.93
	L	#.3	8L8Z 78218B08 AB	\$8.93
Paint to Match	R	#.3	8L8Z 78218B08	\$15.40
	L	#.3	8L8Z 78218B08	\$15.40

2009 Ford Escape Limited Utility

2010

To 8-26-09

Black	R	#.3	8L8Z 78218B08 AB	\$8.93
	L	#.3	8L8Z 78218B08 AB	\$8.93
Paint to Match	R	#.3	8L8Z 78218B08	\$15.40
	L	#.3	8L8Z 78218B08	\$15.40

From 8-27-09

Black	R	#.3	AL8Z 78218B08 AA	\$8.93
	L	#.3	AL8Z 78218B08 AA	\$8.93
Paint to Match	R	#.3	AL8Z 78218B08	\$13.87
	L	#.3	AL8Z 78218B08	\$13.87

#R&R One Side Complete, w/Trim Panel Removed

13 Brkt, Outside Handle	R	#.2	9L8Z 7826604 A	\$47.22
	L	#.2	9L8Z 7826605 A	\$39.43

#w/Door Handle Removed

14 Harness, Door Wiring	R		8L8Z 14632 AA	\$45.42
	L		8L8Z 14632 AA	\$45.42
15 Hinge, Upper Door	R	#.2	7L8Z 7826800 A	\$25.28
	L	#.2	7L8Z 7826801 A	\$26.57
16 Hinge, Lower Door	R	#.2	7L8Z 7826810 A	\$27.12
	L	#.2	7L8Z 7826811 A	\$22.97

#w/Door Removed

17 Check, Door	R	#.2	8L8Z 7823552 A	\$20.62
	L	#.2	8L8Z 7823552 A	\$20.62

#w/Trim Panel Removed

18 W/Strip, Front (On Door)

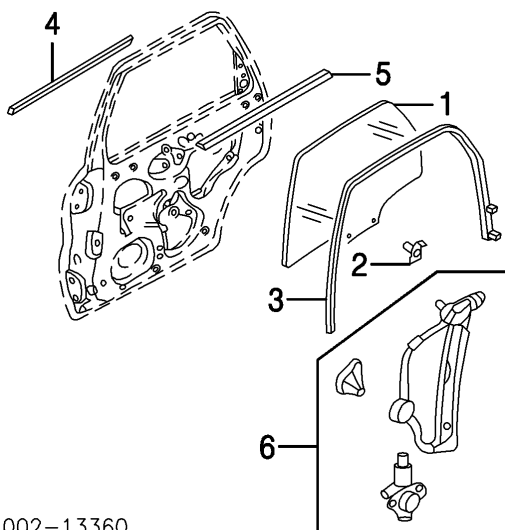
2008

To 12-12-07	R	.2	8L8Z 7825354 A	\$40.63
	L	.2	8L8Z 7825355 C	\$43.00
From 12-13-07	R	.2	8L8Z 7825354 C	\$46.13
	L	.2	8L8Z 7825355 C	\$43.00
2009-10	R	.2	8L8Z 7825354 C	\$46.13
	L	.2	8L8Z 7825355 C	\$43.00

19 W/Strip, Rear Door Opng-See Rocker/Pillars/Floor Section

GLASS & PARTS

2009 Ford Escape Limited Utility



002-13360

1 Glass, Rear Door

Ford

Green

R #1.8 8L8Z 7825712 A \$270.30

L #1.8 8L8Z 7825713 A \$300.70

Privacy

R #1.8 8L8Z 7825712 B \$293.10

L #1.8 8L8Z 7825713 B \$293.12

NAGS

Green

R #1.8 DD11261GTN \$258.05

L #1.8 DD11262GTN \$258.05

Privacy

R #1.8 DD11261YPN \$253.80

L #1.8 DD11262YPN \$253.80

#Includes R&R Window Regulator & Glass Run

2 Retainer, Glass (a)

R 8L8Z 78214A56 A \$6.23

L 8L8Z 78214A56 A \$6.23

(a) As Required

3 Run, Glass

R #.5 8L8Z 7825766 AA \$160.27

L #.5 8L8Z 7825767 AA \$94.80

#w/Window Regulator Removed

4 Moulding, Outer Belt-See Exterior Trim Section

5 Moulding, Inner Belt-See Interior Trim Section

6 Regulator/Motor, Window

R #.6 8L8Z 7827000 A \$45.20

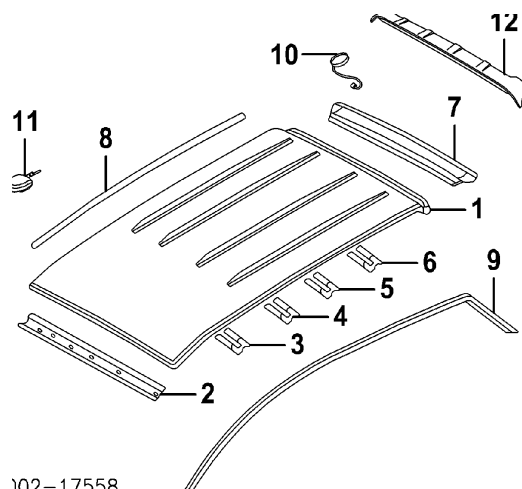
L #.6 8L8Z 7827001 A \$45.20

#w/Trim Panel Removed

## ROOF

Procedures 17 and 28

### SHEET METAL/EXTERIOR TRIM



102-17558

Refinish Roof Outside	3.4
Add to Edge (If Necessary)	.5
Refinish Rear Spoiler	1.1
R&I Rear Spoiler	.5
R&I Satellite Radio Antenna	#1.0

#Includes Loosen Headliner for Access, Included in R&R Roof Panel

Add to R&R Roof Panel

To R&I/R&R Side Curtain Air Bags	1.6
----------------------------------	-----

1 Panel, Roof			
w/Sunroof	08 #17.0	8L8Z 7850202 A	\$677.72
	09-10 #17.0	9L8Z 7850202 A	\$909.30
w/o Sunroof			
w/Roof Rack			
w/Satellite Radio	#16.6	8L8Z 7850202 D	\$781.22
w/o Satellite Radio	#16.3	8L8Z 7850202 D	\$781.22
w/o Roof Rack	#15.5	8L8Z 7850202 B	\$610.75

#Does Not Include R&I/R&R Quarter Glass

2 Panel, Frt Header	2.0	8L8Z 7803408 A	\$46.03
3 Reinf, Front Roof	.5	8L8Z 7850244 A	\$49.52
4 Reinf, Front Ctr Roof	.5	8L8Z 7850217 A	\$70.82
5 Reinf, Rear Ctr Roof (2)	.5	7L8Z 7850222 A	\$36.22

2009 Ford Escape Limited Utility

6	Reinf, Rear Roof		.5	8L8Z 7850217 A	\$70.82
7	Panel, Rear Header		2.5	YL8Z 7841302 AA	\$109.00
8	Moulding, Roof (Adhesive)	R	.4	8L8Z 7851728 AA	\$39.80
		L	.4	8L8Z 7851729 AA	\$32.13

9 Weatherstrip, Upper-See Rocker/Pillars/Floor Section

Antenna, Satellite Radio

10		2008	#1.0	8R3Z 10E893 B	\$99.20
11	2009-10		#1.0	9L3Z 10E893 B	\$75.08

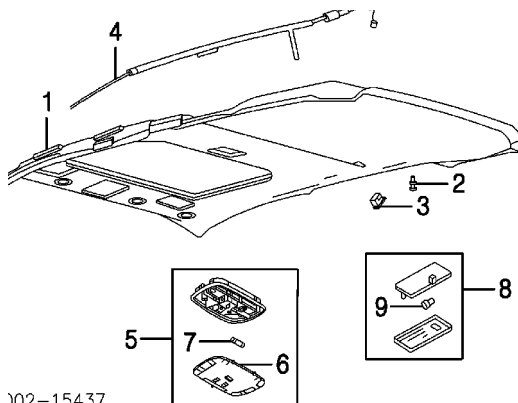
#Includes Loosen Headliner for Access, Included in R&R Roof Panel

Antenna, GPS

2009-10-Serviced w/Satellite Radio Antenna

12	Spoiler, Rear (P)		.5	8L8Z 78500K16 AA	\$295.00
	Dealer Installed				
	(P) Paint to Match				

INTERIOR TRIM



102-15437

Refinish Dome Lamp Assy	.5
Add to R&I/R&R Headliner w/Overhead Console	.3
R&I Headliner	1.8

1 Headliner

2008

w/Sunroof

To 12-3-07

Man Mirror

Black

1.8 8L8Z 7851944 HA \$890.53

Camel, Stone

1.8 8L8Z 7851944 CD \$795.53

Electrochromic Mirror

Black

1.8 8L8Z 7851944 CA \$746.03

2009 Ford Escape Limited Utility

Camel, Stone	1.8 8L8Z 7851944 AD	\$1,112.78
From 12-4-07		
Man Mirror		
Black	1.8 9L8Z 7851944 CC	\$681.65
Camel, Stone	1.8 9L8Z 7851944 CD	\$681.03
Electrochromic Mirror		
Black	1.8 9L8Z 7851944 AC	\$826.43
Camel, Stone	1.8 9L8Z 7851944 AD	\$826.43
w/o Sunroof		
w/Overhead Console (c)		
Man Mirror		
Black	1.8 8L8Z 7851944 LA	\$785.52
Camel, Stone	1.8 8L8Z 7851944 LB	\$785.52
Electrochromic Mirror		
Black	1.8 8L8Z 7851944 BC	\$1,135.87
Camel, Stone	1.8 8L8Z 7851944 BD	\$1,135.87
w/o Overhead Console		
To 12-3-07		
Black	1.8 8L8Z 7851944 DC	\$1,097.55
Camel, Stone	1.8 8L8Z 7851944 DD	\$820.17
From 12-4-07		
Black	1.8 9L8Z 7851944 DC	\$715.95
Camel, Stone	1.8 9L8Z 7851944 DD	\$715.95
	2009	
w/Sunroof		
Man Mirror		
Black	1.8 9L8Z 7851944 CC	\$681.65
Camel, Stone	1.8 9L8Z 7851944 CD	\$681.03
Electrochromic Mirror		
Black	1.8 9L8Z 7851944 AC	\$826.43
Camel, Stone	1.8 9L8Z 7851944 AD	\$826.43
w/o Sunroof		
w/Overhead Console		
Man Mirror		
Black	1.8 9L8Z 7851944 EC	\$715.95
Camel, Stone	1.8 9L8Z 7851944 ED	\$715.95
Electrochromic Mirror		
Black	1.8 9L8Z 7851944 BA	\$864.92
Camel, Stone	1.8 9L8Z 7851944 BB	\$720.77
w/o Overhead Console		
Man Mirror		
Black	1.8 9L8Z 7851944 DC	\$715.95
Camel, Stone	1.8 9L8Z 7851944 DD	\$715.95
Electrochromic Mirror		
Black	1.8 9L8Z 7851944 FA	\$714.25

2009 Ford Escape Limited Utility

Camel, Stone			1.8	9L8Z 7851944 FD	\$713.65
	2010				
w/Sunroof					
Man Mirror					
Black			1.8	9L8Z 7851944 CC	\$681.65
Camel, Stone			1.8	9L8Z 7851944 CD	\$681.03
Electrochromic Mirror					
Black			1.8	9L8Z 7851944 AC	\$826.43
Camel, Stone			1.8	9L8Z 7851944 AD	\$826.43
w/o Sunroof					
w/Overhead Console					
Man Mirror					
Black			1.8	AL8Z 7851944 EA	\$655.62
Camel, Stone			1.8	AL8Z 7851944 EB	\$655.62
Electrochromic Mirror					
Black			1.8	AL8Z 7851944 BA	\$660.72
Camel, Stone			1.8	AL8Z 7851944 BB	\$660.72
w/o Overhead Console					
Man Mirror					
Black			1.8	AL8Z 7851944 DA	\$655.62
Camel, Stone			1.8	AL8Z 7851944 DB	\$655.62
Electrochromic Mirror					
Black			1.8	AL8Z 7851944 FA	\$653.27
Camel, Stone			1.8	AL8Z 7851944 FB	\$653.27
(c) Order by Application					
2 Clip, Headliner (a)					
Black				* W709343 SS35B	\$1.50
Camel, Stone				* W709343 SS35V	\$1.50
(a) As Required					
3 Hook, Coat					
	2008				
Black		L	.1	8L8Z 7829024 AA	\$9.88
Camel, Stone		L	.1	8L8Z 7829024 AB	\$9.88
	2009				
To 12-1-08					
Black		L	.1	8L8Z 7829024 AA	\$9.88
Camel, Stone		L	.1	8L8Z 7829024 AB	\$9.88
4 Module, Side Curtain Air Bag-See Air Bag System Section					
5 Lamp Assy, Dome (P)					
w/Map Lamp			#.1	9L8Z 13776 A	\$53.58
w/o Map Lamp			#.1	9L8Z 13776 D	\$38.03
(P) Paint to Match					
6 Lens, Dome Lamp¶					
w/Map Lamp			#.1	3L8Z 13783 AA	\$25.23

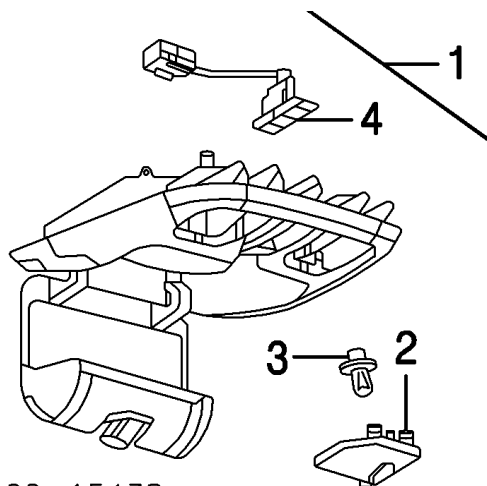
2009 Ford Escape Limited Utility

w/o Map Lamp	#.1	YL8Z 13783 BA	\$14.07
7 Bulb, Dome Lamp (a)¶	#.1	F58Z 13466 A	\$2.90
¶Included w/Dome Lamp Assy			
(a) As Required			
#R&R Complete			
8 Lamp Assy, Cargo	#.1	YL8Z 13776 AA	\$51.60
9 Bulb, Cargo Lamp (b)	#.1	E5RY 13466 D	\$2.30

(b) Included w/Cargo Lamp Assy

#R&R Complete

OVERHEAD CONSOLE



002-15438

R&I Overhead Console Assy

.3

NOTE: All Parts in this section are included in R&R Overhead Console unless noted otherwise.

1 Console Assy, Overhead				
w/Sunroof				
Black	08	.3	8L8Z 78519A70 DA	\$114.23
	09-10	.3	9L8Z 78519A70 DA	\$113.35
Camel, Stone	08	.3	8L8Z 78519A70 DB	\$95.20
	09-10	.3	9L8Z 78519A70 DB	\$136.02
w/o Sunroof				
Black		.3	8L8Z 78519A70 CC	\$72.70
Camel, Stone		.3	8L8Z 78519A70 CD	\$72.70
2 Lens, Map Lamp¶				
w/Sunroof	R	#.1	YL8Z 13783 CA	\$13.28
	L	#.1	YL8Z 13783 CB	\$13.08
3 Bulb, Map Lamp¶				
w/Sunroof	R	#.1	96FZ 13466 AA	\$7.07

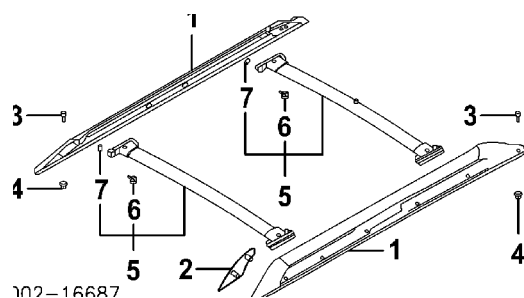


2009 Ford Escape Limited Utility

	L	#.1	96FZ 13466 AA	\$7.07
#R&R One Side Complete				
4 Switch, Sunroof¶				
		2008	.2 3L8Z 15A699 AAA	\$43.70
		2009		
To 7-23-08			.2 9L8Z 15B691 AA	\$15.47
From 7-24-08			.2 9L8Z 15B691 AB	\$21.11
		2010	.2 9L8Z 15B691 AB	\$21.11

¶Included w/Overhead Console Assy

ROOF LUGGAGE RACK



R&I Side Rail

R	#.4
L	#.4

#Included in R&R Roof Panel

1 Rail, Side				
Chrome	R	#.4	8L8Z 7855114 AB	\$198.98
	L	#.4	8L8Z 7855115 AB	\$198.98
Black	R	#.4	8E6Z 7855114 BA	\$121.38
	L	#.4	8E6Z 7855115 BA	\$121.38

#Included in R&R Roof Panel

2 Cap, Rail	R		8L8Z 17551A46 AA	\$15.05
	L		8L8Z 17551A47 AA	\$15.05
3 Bolt, Mounting (6/Side)	R		* W707835 S901	\$2.75
	L		* W707835 S901	\$2.75
4 Nut, Mounting (6/Side)	R		* W708384 S437	\$2.75
	L		* W708384 S437	\$2.75
5 Rail Assy, Cross (2)				
		2008	5E6Z 7855106 AAA	\$100.25
		2009		
To 12-1-08			5E6Z 7855106 AAA	\$100.25
From 12-2-08			9E6Z 7855106 AA	\$80.62
		2010	9E6Z 7855106 AA	\$80.62
6 Loop, Side (2/Side)¶	R		* W713221 S424	\$8.66
	L		* W713221 S424	\$8.66

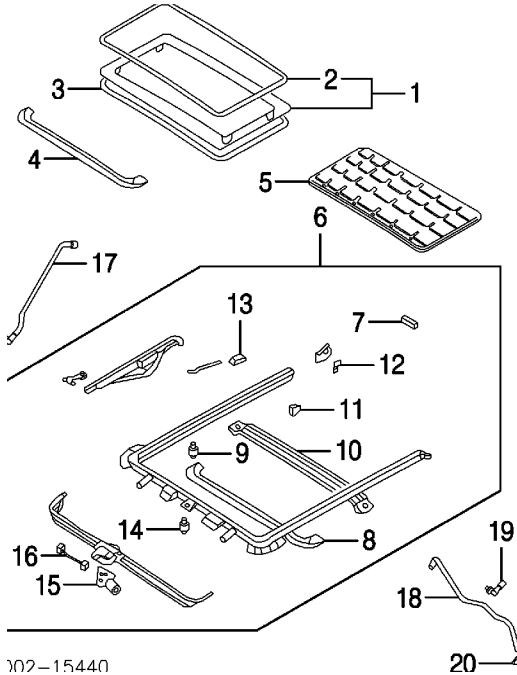
2009 Ford Escape Limited Utility

7 Plate, Mounting (2/Side)¶	R	YL8Z 78551A48 BA	\$15.77
	L	YL8Z 78551A48 BA	\$15.77

¶Included w/Cross Rail Assy

SUNROOF

2008



107-15440

R&I Sunroof Glass

.5

R&I Sunroof Assy

#1.5

O/H Sunroof Assy (Includes R&I)

#2.5

#w/Headliner Removed

NOTE: All Parts in this section are included in overhaul unless noted otherwise.

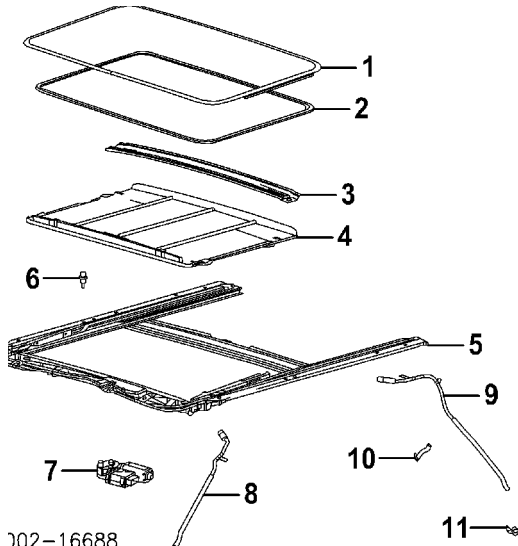
1 Glass Assy, Sunroof			
Ford			
To 12-1-07	.5	5L8Z 7850054 AA	\$451.92
From 12-2-07	.5	5L8Z 7850054 A	\$503.22
NAGS	.5	DR09758YPY	\$1,655.55
2 W/Strip, Sunroof¶		YL8Z 78502A90 AA	\$92.63
¶Included w/Sunroof Glass Assy			
3 Seal, Sunroof Opng			
Black		8L8Z 7851884 AA	\$53.33
Camel, Stone		8L8Z 7851884 AB	\$53.33
4 Deflector, Air			
Dealer Installed	.2	1L8Z 78500K16 AA	\$64.29
5 Shade, Sunroof			
To 12-3-07			
Black		8L8Z 78519A02 AA	\$135.00

2009 Ford Escape Limited Utility

Camel, Stone		8L8Z 78519A02 AB	\$128.08
From 12-4-07			
Black		8L8Z 78519A02 BA	\$131.77
Camel, Stone		8L8Z 78519A02 BB	\$132.13
6 Housing Assy, Sunroof	#1.5	8L8Z 78502C22 C	\$487.17
#w/Headliner Removed, Includes R&R Sunroof Glass Assy			
7 Stop, Shade (a) (b)		YL8Z 7851540 AA	\$7.82
(a) As Required			
8 Deflector (b)		.2 6L8Z 78500A26 A	\$112.43
9 Clip, Deflector (b)	R	YS4Z 5451030 AB	\$4.41
	L	YS4Z 5451030 AB	\$4.41
10 Rail, Drain (b)		YL8Z 7854022 AA	\$47.58
11 Stop, Rail (b)	R	YL8Z 7851570 AA	\$9.87
	L	YL8Z 7851570 AA	\$9.87
12 Pad, Rail (b)	R	YL8Z 78502D08 AA	\$7.16
	L	YL8Z 78502D08 AA	\$7.16
13 Guide, Sunroof (b)	R	YL8Z 78500A64 AA	\$19.78
	L	YL8Z 78500A65 AA	\$19.78
14 Relay, Sunroof (b)		.3 YL8Z 14677 AA	\$119.33
15 Motor, Sunroof (b)	#.5	YL8Z 15790 AA	\$190.66
#w/Headliner Removed			
16 Harness, Sunroof (b)		YL8Z 15B672 AA	\$59.35
(b) Included w/Sunroof Housing Assy			
17 Hose, Front Drain	R	5L8Z 78502C52 AA	\$27.72
	L	5L8Z 78502C53 AA	\$24.72
18 Hose, Rear Drain	R	5L8Z 78502C52 BA	\$29.10
	L	5L8Z 78502C53 BA	\$24.43
19 Clip, Drain Hose (a)	R	YL8Z 78514A04 AA	\$1.63
	L	YL8Z 78514A04 AA	\$1.63
(a) As Required			
20 Connector, Hose	R	8L8Z 8592 A	\$5.50
	L	8L8Z 8592 A	\$5.50

2009-10

2009 Ford Escape Limited Utility



J02-16688

R&I Sunroof Glass

R&I Sunroof Assy

O/H Sunroof Assy (Includes R&I)

.5  
#1.5  
#2.5

#w/Headliner Removed

NOTE: All Parts in this section are included in overhaul unless noted otherwise.

1 Glass, Sunroof				
Ford	#.8	8L8Z 7850054 A		\$197.97
NAGS	#.8	DR11711YPY		\$361.45
2 Seal, Sunroof				
Black	#.8	8L8Z 7851884 AA		\$53.33
Camel, Stone	#.8	8L8Z 7851884 AB		\$53.33
#R&R Complete				
3 Rail, Drain				
	2009			
To 12-1-08		YL8Z 7854022 AA		\$47.58
From 12-2-08		9L8Z 7854022 A		\$34.87
	2010			
From 12-2-08		9L8Z 7854022 A		\$34.87
4 Shade, Sunroof				
Black		8L8Z 78519A02 BA		\$131.77
Camel, Stone		8L8Z 78519A02 BB		\$132.13
5 Frame, Sunroof				
	2009			
To 12-1-08		IOH 9L8Z 78502C22 A		\$443.42
From 12-2-08		IOH 9L8Z 78502C22 B		\$521.62
	2010			
From 12-2-08		IOH 9L8Z 78502C22 B		\$521.62
6 Clip, Side Frame				
		R	YS4Z 5451030 AB	\$4.41
		L	YS4Z 5451030 AB	\$4.41

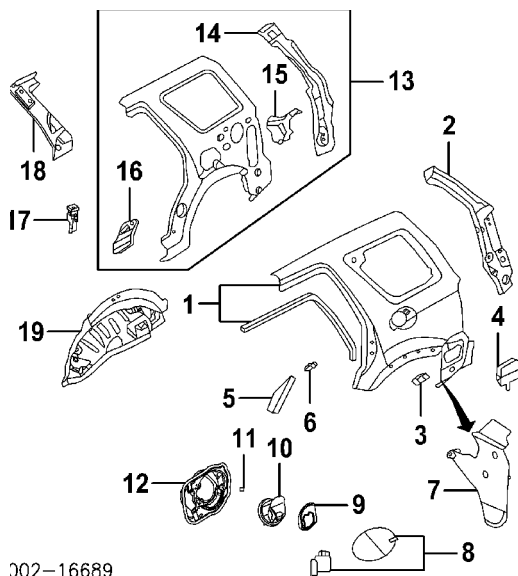
2009 Ford Escape Limited Utility

7 Motor, Sunroof #w/Headliner Removed		#.5	9L8Z 15790 A	\$199.02
8 Hose, Front Drain	09 R		5L8Z 78502C52 AA	\$27.72
	L		5L8Z 78502C53 AA	\$24.72
	10 R		5L8Z 78502C52 AA	\$27.72
	L		AL8Z 78502C53 A	\$14.48
9 Hose, Rear Drain	R		5L8Z 78502C52 BA	\$29.10
	L		5L8Z 78502C53 BA	\$24.43
10 Clip, Hose (a)	R		YL8Z 78514A04 AA	\$1.63
	L		YL8Z 78514A04 AA	\$1.63
(a) As Required				
11 Connector, Hose				
Front	R		YL8Z 78502C55 AA	\$7.83
	L		YL8Z 78502C55 AA	\$7.83
Rear	R		8L8Z 8592 A	\$5.50
	L		8L8Z 8592 A	\$5.50

## QUARTER PANEL

Procedures 20 and 28

### SHEET METAL/EXTERIOR TRIM



002-16689

Refinish Quarter Panel Outside	R	2.0
	L	2.0
Add for Pillar	R	.5
	L	.5
Add to Edge Panel	R	.5
	L	.5
Add for Inside	R	.8
	L	.8
Refinish Fuel Door	L	#.5
#Included in Refinish Left Quarter Panel		
Add for Inside	L	.2
Refinish Lower Moulding	R	.5
	L	.5
R&I Lower Moulding	R	.2
	L	.2
R&R Both Quarter Panels		25.9
R&R Both Quarter Panels & Rear Body Panel		28.2
R&R Roof & Both Quarter Panels		
w/Sunroof		37.7

2009 Ford Escape Limited Utility

w/o Sunroof					36.2
R&R Roof, Both Quarter Panels & Rear Body Panel					
w/Sunroof					40.0
w/o Sunroof					38.5
Add to R&R Quarter Panel					
To R&I Quarter Glass	R			.3	
	L			.3	
To R&I/R&R Side Curtain Air Bag	R	#.8			
	L	#.8			
#w/Headliner Removed					
To R&I/R&R Rear Side Impact Sensor	R			.5	
	L			.5	
R&I Mudguard	R			.2	
	L			.2	
R&R Mudguard	R			.2	
	L			.2	
1 Panel, Outer Quarter	R	#13.5	8L8Z 7827840 B		\$1,193.97
	L	#14.0	8L8Z 7827841 B		\$1,193.97
#w/Roof Removed De duct 3.2, Deduction Includes Common Surfaces & Included Operations					
Striker, Latch-See Rear Door Section					
2 Pillar, Corner	08-09 R	1.5	8L8Z 7841032 B		\$62.08
	L	1.5	8L8Z 7841033 B		\$70.67
	10 R	1.5	AL8Z 7841032 A		\$124.00
	L	1.5	AL8Z 7841033 A		\$124.00
3 Reinf, Panel	R		YL8Z 16390 AA		\$9.20
	L		YL8Z 16390 AA		\$9.20
4 Vent, Quarter Panel	R	#.2	2F2Z 16280B62 AA		\$21.35
	L	#.2	2F2Z 16280B62 AA		\$21.35
#w/Rear Bumper Assy Removed					
5 Moulding, Lower (P)	R	.2	8L8Z 7829038 APTM		\$29.42
	L	.2	8L8Z 7829039 APTM		\$29.75
(P) Paint to Match					
6 Rivet, Moulding (a)	R		* W705848 S300		\$2.20
	L		* W705848 S300		\$2.20
(a) As Required					
7 Mudguard					
Factory Installed	R	.2	8L8Z 16A550 A		\$27.13
	L	.2	8L8Z 16A550 B		\$27.13

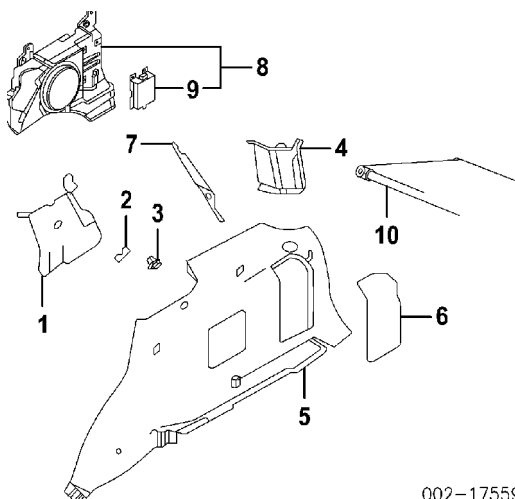


2009 Ford Escape Limited Utility

Dealer Installed¶				
Flat		#	F6AZ 16A550 AA	\$27.13
Moulded		#	8L8Z 16A550 BA	\$45.36
¶Contains Both Sides				
#See Headnotes for Labor Time				
8 Door, Fuel	L	#.2	9L8Z 78405A26 A	\$27.70
#Included in R&R Left Outer Quarter Panel				
9 Support, Fuel Filler	L		9L8Z 7828646 A	\$18.40
10 Retainer, Fuel Filler	L		9L8Z 9A212 A	\$43.51
11 Bumper, Fuel Door (2)	L	.1	8L8Z 78405A22 B	\$4.98
12 Housing, Fuel Filler	L		8L8Z 7827936 A	\$68.47
13 Panel Assy, Inner Quarter	08-09 R	6.5	8L8Z 7827864 A	\$480.67
	L	6.5	9L8Z 7827865 A	\$433.27
	10 R	6.5	8L8Z 7827864 A	\$480.67
	L	6.5	AL8Z 7827865 A	\$383.10
14 Reinf, Corner Pillar (b)	R	2.5	YL8Z 7841038 BA	\$65.70
	L	2.5	YL8Z 7841039 BA	\$79.67
15 Trough, Drain (b)	R	.5	YL8Z 7845114 AA	\$38.93
	L	.5	YL8Z 7845115 AA	\$41.07
16 Extension, Panel (b)	R	1.0	YL8Z 7811252 AA	\$20.42
	L	1.0	YL8Z 7811252 AA	\$20.42
(b) Included w/Inner Quarter Panel Assy				
Adhesive, Panel Bonding			N.A.	
17 Reinf, Striker	R		8L8Z 7822142 A	\$17.40
	L		8L8Z 7822143 A	\$12.88
18 Panel, Filler (HSLA)	08-09 R	1.5	8L8Z 78278D72 A	\$40.53
	L	1.5	8L8Z 78278D73 A	\$40.70
	10 R	1.5	9L8Z 78278D72 A	\$36.30
	L	1.5	9L8Z 78278D73 A	\$37.98
19 Panel, Wheelhouse	R	2.5	7L8Z 7827886 A	\$84.00
	L	2.5	7L8Z 7827887 A	\$84.00

INTERIOR TRIM

2009 Ford Escape Limited Utility



002-17559

1 Panel, Front Upper Trim

	2008				
Black		R	#.2	8L8Z 7831004 BA	\$40.32
		L	#.2	8L8Z 7831005 BA	\$40.32
Camel, Stone		R	#.2	8L8Z 7831004 BB	\$40.32
		L	#.2	8L8Z 7831005 BB	\$40.32
	2009				
To 12-1-08					
Black		R	#.2	8L8Z 7831004 BA	\$40.32
		L	#.2	8L8Z 7831005 BA	\$40.32
Camel, Stone		R	#.2	8L8Z 7831004 BB	\$40.32
		L	#.2	8L8Z 7831005 BB	\$40.32
From 12-2-08					
Black		R	#.2	9L8Z 7831004 AA	\$47.95
		L	#.2	9L8Z 7831005 AA	\$57.53
Camel, Stone		R	#.2	9L8Z 7831004 AB	\$80.22
		L	#.2	9L8Z 7831005 AB	\$80.22
	2010				
Black		R	#.2	9L8Z 7831004 AA	\$47.95
		L	#.2	9L8Z 7831005 AA	\$57.53
Camel, Stone		R	#.2	9L8Z 7831004 AB	\$80.22
		L	#.2	9L8Z 7831005 AB	\$80.22
2 Cover, Hole (a)					
Black		R		8L8Z 78237W10 AA	\$4.10
		L		8L8Z 78237W10 AA	\$4.10
Camel, Stone		R		8L8Z 78237W10 AB	\$4.10
		L		8L8Z 78237W10 AB	\$4.10
3 Hook, Coat (a)					
	2009				
From 12-2-08					
Black				9L8Z 7829024 AA	\$8.62

2009 Ford Escape Limited Utility

Camel, Stone				9L8Z 7829024 AB	\$8.62
	2010				
Black				9L8Z 7829024 AA	\$8.62
Camel, Stone				9L8Z 7829024 AB	\$8.62
(a) As Required					
4 Panel, Rear Upper Trim					
Black		R	#.1	8L8Z 7831010 CA	\$46.02
		L	#.1	8L8Z 7831011 CA	\$46.02
Camel, Stone		R	#.1	8L8Z 7831010 CB	\$27.98
		L	#.1	8L8Z 7831011 CB	\$27.98
#w/Lower Trim Panel Assy Removed					
5 Panel, Lower Trim					
Right					
4 Speaker, 6 Speaker System					
Black		08 R	#.4	9L8Z 7831012 BC	\$222.90
		09-10 R	#.4	9L8Z 7831012 BC	\$222.90
Camel		R	#.4	9L8Z 7831012 BB	\$222.90
Stone		R	#.4	9L8Z 7831012 BA	\$222.90
7 Speaker System					
Black		R	#.4	8L8Z 7831012 AC	\$229.37
Camel		R	#.4	8L8Z 7831012 AB	\$219.00
Stone		R	#.4	8L8Z 7831012 AA	\$213.53
Left					
Black		L	#.4	8L8Z 7831013 AC	\$213.53
Camel		L	#.4	8L8Z 7831013 AB	\$213.53
Stone		L	#.4	8L8Z 7831013 AA	\$219.08
#Includes R&R Liftgate Scuff Plate					
6 Cover, Jack					
Black		08 R		8L8Z 7845626 AC	\$20.80
		09-10 R		9L8Z 7845626 AC	\$19.88
Camel		08 R		8L8Z 7845626 AB	\$20.80
		09-10 R		9L8Z 7845626 AB	\$19.88
Stone		08 R		8L8Z 7845626 AA	\$20.80
		09-10 R		9L8Z 7845626 AA	\$19.88
7		L		5M6Z 78311A24 AA	\$84.33
8 Sub-Woofer Assy		R	#.4	9L8Z 18C804 A	\$259.46
9 Amplifier, Sub-Woofer (b)					
	2008	R	#.4	7L2Z 18B849 A	\$77.66
	2009				
To 12-1-08		R	#.4	7L2Z 18B849 A	\$77.66
From 12-2-08		R	#.4	8A5Z 18B849 E	\$92.90
	2010	R	#.4	8A5Z 18B849 E	\$92.90

2009 Ford Escape Limited Utility

(b) Included w/Sub-Woofer Assy

#w/Lower Trim Panel Removed

10 Cover, Luggage

Black

9L8Z 7845440 AC \$134.11

Camel

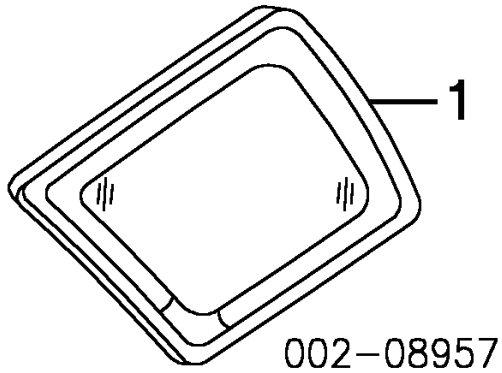
9L8Z 7845440 AB \$134.11

Stone

9L8Z 7845440 AA \$134.11

2009 Ford Escape Limited Utility

## QUARTER GLASS



R&I Quarter Glass

R #1.4  
L #1.4

#w/Headliner Removed, Includes Clean Up Old Adhesive as Necessary

1 Glass, Quarter

Ford

Green

R #1.1 8L8Z 7829700 A \$432.68  
L #1.1 8L8Z 7829701 A \$304.18

Privacy

R #1.1 8L8Z 7829700 B \$952.13  
L #1.1 8L8Z 7829701 B \$334.70

NAGS

Green

R #1.1 DQ11263GTY \$269.10  
L #1.1 DQ11264GTY \$269.10

Privacy

R #1.1 DQ11263YPY \$539.35  
L #1.1 DQ11264YPY \$539.35

#w/Headliner Removed, Includes Clean Up Old Adhesive as Necessary

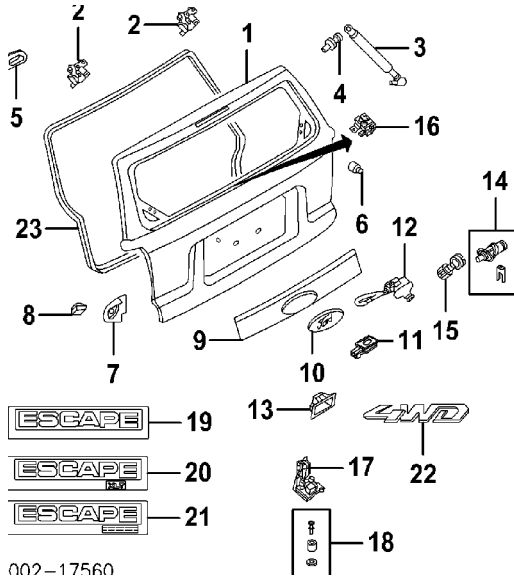
Adhesive, Glass

N.A.

## LIFTGATE

Procedures 25 and 28

### SHEET METAL/EXTERIOR TRIM



002-17560

Refinish Gate Shell Outside				2.6	
Add for Jamb & Interior				1.3	
Refinish Hinge		R		.5	
		L		.5	
Refinish Lower Handle				.5	
Refinish Outside Handle/Garnish				.5	
R&I Liftgate Assy				.8	
R&I Outside Handle/Garnish			#.5		
R&I Lock Cylinder			#.4		
R&I Lower Handle			#.4		
#Includes R&I Trim Panel					
R&I Washer Nozzle			#.2		
#Included in R&R Liftgate					
1 Shell, Liftgate	08-09		#4.4	8L8Z 7840010 A	\$984.30
			10 #4.6	AL8Z 7840010 A	\$429.77
#Includes R&I/R&R Wiper Components					
2 Hinge, Liftgate		R	#.2	YL8Z 7842900 AA	\$39.87
		L	#.2	YL8Z 7842900 AA	\$39.87
#w/Liftgate Removed					
3 Support, Liftgate		R	#.2	8L8Z 78406A10 A	\$27.25
		L	#.2	8L8Z 78406A11 A	\$27.25

2009 Ford Escape Limited Utility

#w/Liftgate Removed Deduct .1

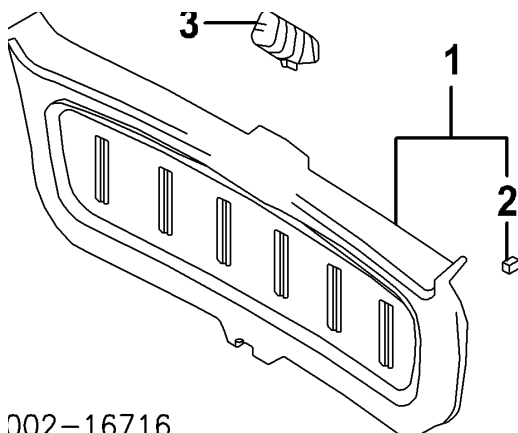
4 Stud, Support				
2008-09, (2/Side)				
		R	* W705915 S900	\$1.68
		L	* W705915 S900	\$1.68
	2010	R	* W714316 S900	\$3.33
		L	* W714316 S900	\$3.33
5 Plug, Seal		R	* W705904 S300	\$2.75
		L	* W705904 S300	\$2.75
6 Bumper, Rubber		R	.1 * W713320 S300	\$1.50
		L	.1 * W713320 S300	\$1.50
7 Dovetail (On Liftgate)		R	.1 8L8Z 78404W04 A	\$6.52
		L	.1 8L8Z 78404W04 A	\$6.52
8 Wedge (On Body)		R	.1 5L8Z 78404C28 AA	\$11.10
		L	.1 5L8Z 78404C28 AA	\$11.10
9 Handle/Garnish, Outside				
	2008			
Chrome		#.3	8L8Z 7841018 BA	\$230.18
Black, (Code UA)		#.3	8L8Z 7841018 CA	\$192.70
Kiwi Green, (Code NZ)		#.3	8L8Z 7841018 CJ	\$192.70
Monterey Gray, (Code T9)		#.3	8L8Z 7841018 CK	\$226.43
Oxford White, (Code YZ)		#.3	8L8Z 7841018 CE	\$192.70
Redfire, (Code G2)		#.3	8L8Z 7841018 CD	\$192.70
Sage, (Code NH)		#.3	8L8Z 7841018 CG	\$192.70
Silver, (Code YN)		#.3	8L8Z 7841018 CB	\$192.70
Tungsten Silver, (Code T8)		#.3	8L8Z 7841018 CH	\$192.70
Vista Blue, (Code G9)		#.3	8L8Z 7841018 CF	\$193.53
	2009			
Chrome		#.3	8L8Z 7841018 BA	\$230.18
Black, (Code UA)		#.3	8L8Z 7841018 CA	\$192.70
Brilliant Silver, (Code UI)		#.3	9L8Z 7841018 CD	\$175.00
Colorado Red, (Code D3)		#.3	9L8Z 7841018 CF	\$226.43
Monterey Gray, (Code T9)		#.3	8L8Z 7841018 CK	\$226.43
Redfire, (Code G2)		#.3	8L8Z 7841018 CD	\$192.70
Sage, (Code NH)		#.3	8L8Z 7841018 CG	\$192.70
Sport Blue, (Code UL)		#.3	9L8Z 7841018 CC	\$175.00
Sterling Gray, (Code UJ)		#.3	9L8Z 7841018 CE	\$210.00
White Suede, (Code WS)		#.3	9L8Z 7841018 CB	\$175.00
#w/Trim Panel Removed				
	2010			
w/Rear View Camera				
Chrome		#.5	AL8Z 7841018 B	\$165.48
Paint to Match		#.5	AL8Z 7841018 BPTM	\$113.95

2009 Ford Escape Limited Utility

#w/Trim Panel Removed, Includes R&R Rear View Camera

w/o Rear View Camera			
Chrome	#.3	AL8Z 7841018 A	\$161.48
Paint to Match	#.3	AL8Z 7841018 APTM	\$109.65
#w/Trim Panel Removed			
10 Emblem (Adhesive)	.2	5F9Z 7442528 DA	\$20.13
11 Switch, Release		1L2Z 14018 AC	\$33.22
12 Camera, Rear View	10 #.2	AL8Z 19G490 A	\$390.70
#w/Outside Handle Removed			
13 Handle, Lower (P)	10 #.2	AL8Z 13508 APTM	\$268.03
(P) Paint to Match			
14 Cylinder, Lock	#.2	YL8Z 7843432 AB	\$107.02
15 Switch, Lock Cylinder	#.2	N.A.	
16 Latch, Glass	#.2	8L8Z 7840860 A	\$66.35
17 Latch, Liftgate	08 #.2	8L8Z 7843150 B	\$85.93
	09-10 #.2	9L8Z 7843150 A	\$89.65
#w/Trim Panel Removed			
18 Striker, Latch	#.2	8L8Z 7843252 B	\$19.12
#w/Scuff Plate Removed			
Nameplate (Adhesive)			
19 "ESCAPE"	.2	8L8Z 7842528 C	\$14.30
20 "ESCAPE XLT"	.2	8L8Z 7842528 A	\$13.33
21 "ESCAPE LIMITED"	.2	8L8Z 7842528 B	\$16.30
22 "4WD"	.2	8L8Z 7842528 D	\$9.48
23 Weatherstrip (On Body)	.4	8L8Z 7843720 A	\$77.82

INTERIOR TRIM



002-16716

R&I Trim Panel

1 Panel Assy, Trim  
Black

.2

.2 8L8Z 7846404 AC \$209.33



2009 Ford Escape Limited Utility

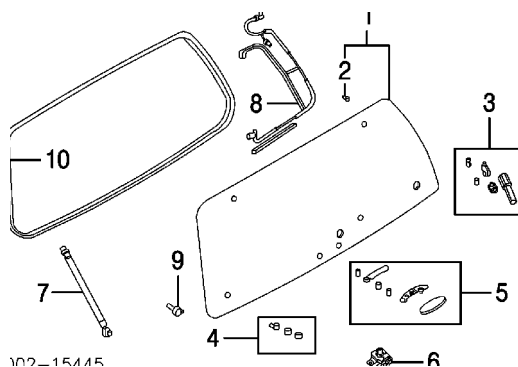
Camel	.2	8L8Z 7846404 AB	\$209.33
Stone	.2	8L8Z 7846404 AA	\$209.33
2 Clip, Trim Panel (a)¶		* W713688 S424	\$1.27

¶Included w/Trim Panel Assy

(a) As Required

3 Cover, Wiper Motor Shield, Moisture	.1	6L2Z 17C412 AA	\$12.98
		N.A.	

GLASS & PARTS



R&I Liftgate Glass

1 Glass Assy, Liftgate			.7	
Ford				
Green	.7	8L8Z 7842006 D	\$677.23	
Privacy	.7	8L8Z 7842006 C	\$593.37	
NAGS				
Green	.7	DB11266GTY	\$723.95	
Privacy	.7	DB11266YPY	\$792.15	
2 Connector (a)¶	R	D8BZ 14474 E	\$14.00	
	L	D8BZ 14474 E	\$14.00	

¶Included w/Liftgate Glass Assy

(a) As Required

3 Hinge, Glass	R	#.2	8L8Z 78420A68 C	\$58.27
	L	#.2	8L8Z 78420A68 D	\$58.27

#w/Liftgate Glass Removed

4 Ball Stud, Lower	R		YL8Z 7842146 AA	\$28.42
	L		YL8Z 7842146 AA	\$28.42

5 Handle, Glass-See Wiper System Section

6 Latch, Glass-See Sheet Metal/Exterior Trim Section

7 Lift, Glass	R	#.2	8L8Z 7842104 A	\$31.10
---------------	---	-----	----------------	---------

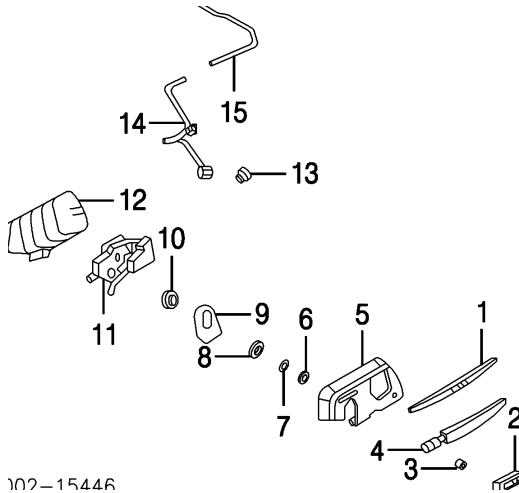
2009 Ford Escape Limited Utility

L #.2 8L8Z 7842105 A \$31.10

#w/Glass Removed Deduct .1

8 Shield, Wire		8L8Z 14A099 A	\$37.02
9 Bumper, Glass	R	* W713055 S300	\$1.50
	L	* W713055 S300	\$1.50
10 W/Strip, Glass (On Liftgate)	.3	9L8Z 7842084 A	\$89.27

WIPER SYSTEM



107-15446

1 Blade, Wiper	.1	8L8Z 17528 C	\$16.91
2 Cap, Wiper Arm		8L8Z 17C526 B	\$4.72
3 Nut, Wiper Arm		* W708312 S441	\$2.25
4 Arm, Wiper			

2008

To 2-19-08	#.2	8L8Z 17526 C	\$21.94
From 2-20-08	#.2	8L8Z 17526 C	\$21.94
2009-10	#.2	8L8Z 17526 C	\$21.94

#Includes R&R Wiper Blade

5 Seal, Wiper Motor		7L2Z 17C412 A	\$11.98
6 Cap, Pivot		8L8Z 17C526 A	\$11.43
7 Washer, Pivot		8L8Z 17C405 A	\$7.00
8 Nut, Pivot		8L8Z 17481 A	\$10.00
9 Handle, Glass		8L8Z 7844009 A	\$36.17
10 Grommet, Pivot		8L8Z 17C582 A	\$12.80
11 Motor, Wiper	#.4	8L8Z 17508 D	\$167.96

#w/Trim Panel Removed, Includes R&I/R&R Wiper Arm

12 Cover, Wiper Motor-See Interior Trim Section

13 Nozzle, Washer	#.2	1L2Z 17603 BA	\$7.98
-------------------	-----	---------------	--------

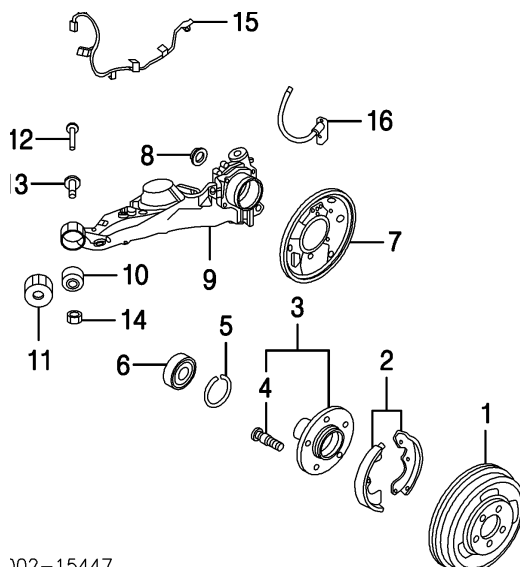
2009 Ford Escape Limited Utility

#Included in R&R Gate Shell		
14 Connector, Nozzle	8L8Z 17408 A	\$14.00
15 Hose, Washer		
Front	8L8Z 17408 B	\$18.98
Rear	8L8Z 17A605 A	\$21.00

## REAR SUSPENSION

### Procedure 23

### 2WD



107-15447

### R&I Suspension/Crossmember Assy

#3.3

#Includes R&I Exhaust System

### R&I Suspension (One Side)

R	1.8
L	1.8

### O/H Suspension (Includes R&I)

#### One Side (Includes R&I)

R	4.0
L	4.0

#### Both Sides (Includes R&I)

7.4

### Adjust Four Wheel Alignment

2.0

### Adjust Rear Alignment

1.6

### Bleed Brake System

.6

NOTE 1: R&I/R&R Does Not include alignment or bleed brake system.

NOTE 2: All Parts in this section are included in overhaul unless noted otherwise.

1 Drum, Brake	R	#.5	8L8Z 1126 BD	\$72.70
	L	#.5	8L8Z 1126 BD	\$72.70

#R&R Both .8

2 Shoe Set, Brake

2009 Ford Escape Limited Utility

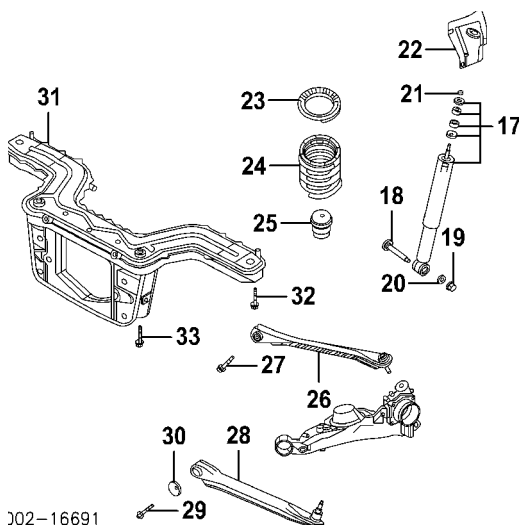
To 7-24-07		#.8	8L8Z 2200 B	\$49.92
From 7-25-07		#.8	8L8Z 2200 BD	\$83.30
2009-10		#.8	8L8Z 2200 BD	\$83.30
#w/Drums Removed				
3 Hub Assy	R	#2.2	6L8Z 1109 AA	\$217.00
	L	#2.2	6L8Z 1109 AA	\$217.00
#Includes R&R Brake Drum, R&R Both Sides 4.2				
4 Stud, Lug (5/Side)¶	R		6L8Z 1107 A	\$5.37
	L		6L8Z 1107 A	\$5.37
¶Included w/Hub Assy Rotor, ABS Sensor				
2008-See ABS/Brakes Section				
2009-10-Serviced w/Hub Assy				
5 Retainer, Bearing	R	#2.2	YL8Z 1L124 AA	\$7.50
	L	#2.2	YL8Z 1L124 AA	\$7.50
6 Bearing, Axle	R	#2.2	YL8Z 1225 AA	\$64.15
	L	#2.2	YL8Z 1225 AA	\$64.15
7 Plate, Backing	R	#2.2	8L8Z 2211 B	\$63.58
	L	#2.2	8L8Z 2212 B	\$59.98
8 Nut, Hub	R		* W705967 S440	\$10.75
	L		* W705967 S440	\$10.75
9 Knuckle, Rear	08-09 R	#2.2	AL8Z 5808 A	\$240.32
	L	#2.2	AL8Z 5808 B	\$240.32
	10 R	#2.2	AL8Z 5808 A	\$240.32
	L	#2.2	AL8Z 5808 B	\$240.32
#R&R One Side Complete, Includes R&R Drum, R&R Both Sides 4.2				
10 Bushing, Knuckle	08-09 R	#.4	5L8Z 5A638 AA	\$21.98
	L	#.4	5L8Z 5A638 AA	\$21.98
	10 R	#.4	AL8Z 5A638 A	\$37.67
	L	#.4	AL8Z 5A638 A	\$37.67
#w/Knuckle Removed				
11 Stop, Bushing	R		8L8Z 5K827 A	\$16.65
	L		8L8Z 5K827 A	\$16.65
12 Bolt, Mounting	R		* W710205 S439	\$9.00
	L		* W710205 S439	\$9.00
13 Bolt, Adjusting	R		6L8Z 5K751 A	\$11.93
	L		6L8Z 5K751 A	\$11.93
14 Plate, Outer Adjusting	R		6L8Z 5K751 AB	\$8.72
	L		6L8Z 5K751 AB	\$8.72

2009 Ford Escape Limited Utility

15 Sensor, Rear ABS-See ABS/Brakes Section

16 Hose, Brake	R	#.4	9L8Z 2A442 A	\$24.58
	L	#.4	9L8Z 2A442 B	\$27.42

#w/Knuckle Removed Deduct .2



17 Absorber, Shock

2.3L Eng

Man Trans	08 R	#.8	8L8Z 18125 A	\$65.57
	L	#.8	8L8Z 18125 A	\$65.57
Auto Trans	08 R	#.8	8L8Z 18125 B	\$65.57
	L	#.8	8L8Z 18125 B	\$65.57

2.5L Eng

Man Trans	09-10 R	#.8	9L8Z 18125 C	\$49.22
	L	#.8	9L8Z 18125 C	\$49.22
Auto Trans	09-10 R	#.8	9L8Z 18125 A	\$49.22
	L	#.8	9L8Z 18125 A	\$49.22

3.0L Eng

2008

16" Wheels	R	#.8	8L8Z 18125 D	\$65.57
	L	#.8	8L8Z 18125 D	\$65.57
17" Wheels	R	#.8	8L8Z 18125 C	\$65.57
	L	#.8	8L8Z 18125 C	\$65.57
2009-10	R	#.8	9L8Z 18125 B	\$49.22
	L	#.8	9L8Z 18125 B	\$49.22

#w/Knuckle Removed Deduct .5, R&R Both Sides 1.4

18 Bolt, Shock Mtg	R		* W706874 S439	\$10.50
--------------------	---	--	----------------	---------

2009 Ford Escape Limited Utility

	L		* W706874 S439	\$10.50
19 Nut, Lock	R		* W520517 S440	\$3.50
	L		* W520517 S440	\$3.50
20 Washer, Mtg	R		* W710426 S441	\$7.00
	L		* W710426 S441	\$7.00
21 Nut, Upper Shock (2/Side)	08 R		* W520504 S440	\$6.00
	L		* W520504 S440	\$6.00
	09-10 R		N.A.	
	L		N.A.	
22 Reinf, Shock Mount	R	#	YL8Z 18A002 AA	\$23.30
	L	#	YL8Z 18A003 AA	\$25.42
	#Not Included in O/H			
23 Spacer, Spring	R	#.8	YL8Z 5A565 AA	\$17.16
	L	#.8	YL8Z 5A565 AA	\$17.16
24 Spring, Coil (b)	08 R	#.8	8L8Z 5560 A	\$95.40
	L	#.8	8L8Z 5560 A	\$95.40
	09-10 R	#.8	9L8Z 5560 B	\$79.14
	L	#.8	9L8Z 5560 B	\$79.14
(b) Order by Application				
#R&R One Side Complete, R&R Both Sides 1.4, Included in R&R Knuckle				
25 Stop, Bump	R		9L8Z 18159 A	\$11.08
	L		9L8Z 18159 A	\$11.08
26 Arm, Upr Control	08 R	#.6	YL8Z 5500 AA	\$54.47
	L	#.6	YL8Z 5500 AB	\$54.47
	09-10 R	#.6	9L8Z 5500 A	\$126.07
	L	#.6	9L8Z 5500 B	\$126.07
27 Bolt, Upper Arm	08 R		* W707646 S439	\$14.40
	L		* W707646 S439	\$14.40
	09-10 R		* W713307 S439	\$25.59
	L		* W713307 S439	\$25.59
28 Arm, Lwr Control	08 R	#.6	5L8Z 5500 AC	\$58.80
	L	#.6	5L8Z 5500 AD	\$58.80
	09-10 R	#.6	9L8Z 5500 C	\$128.13
	L	#.6	9L8Z 5500 D	\$128.13
#R&R Both One Side 1.0, w/Knuckle Removed Deduct .3				
29 Bolt, Lower Arm	08 R		* W707646 S439	\$14.40
	L		* W707646 S439	\$14.40
	09-10 R		* W713307 S439	\$25.59
	L		* W713307 S439	\$25.59
30 Washer, Lower Arm	08 R		9L8Z 4059 A	\$5.55
	L		9L8Z 4059 A	\$5.55
	09-10 R		9L8Z 4059 A	\$5.55
	L		9L8Z 4059 A	\$5.55

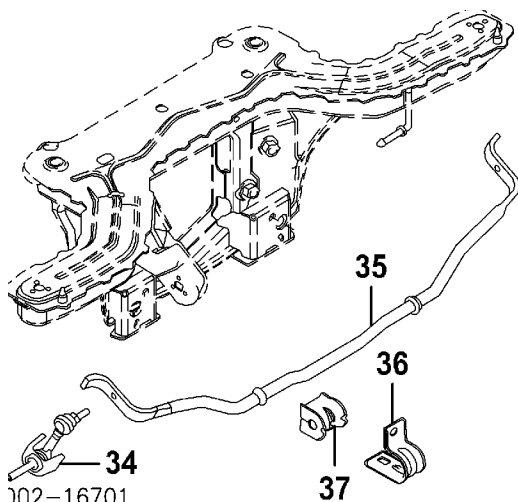
2009 Ford Escape Limited Utility

31	Crossmember, Rear Susp	08	#3.4	6L8Z 5035 B	\$311.37
		09-10	#3.4	9L8Z 5035 B	\$269.03

#Not Included in O/H

Bolt, Crossmember Mounting

32	Outer	R		* W706910 S439	\$15.75
		L		* W706910 S439	\$15.75
33	Inner	R		* W707721 S439	\$6.00
		L		* W707721 S439	\$6.00



34	Link, Stabilizer	09-10	R	#.4	9L8Z 5K484 B	\$31.15
			L	#.4	9L8Z 5K484 B	\$31.15

#Not Included in O/H

35	Bar, Stabilizer	2009				
	To 12-1-08			#.8	9L8Z 5A772 A	\$64.15
	From 12-2-08			#.8	9L8Z 5A772 C	\$130.67
		2010		#.8	9L8Z 5A772 C	\$130.67

#Includes R&R Stabilizer Links, Brackets & Bushings, Not Included in O/H

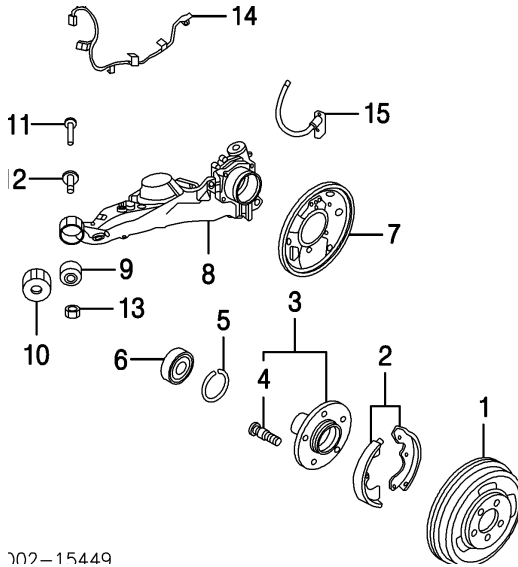
36	Brkt, Stabilizer	09-10	R	#	9L8Z 5486 A	\$8.55
			L	#	9L8Z 5486 A	\$8.55
37	Bushing, Stabilizer	09-10	R	#	9L8Z 5493 A	\$18.32
			L	#	9L8Z 5493 A	\$18.32

#Not Included in O/H

4WD



2009 Ford Escape Limited Utility



107-15449

R&I Suspension/Crossmember Assy

#4.7

#Includes R&I Exhaust System

R&I Suspension (One Side)

R	2.1
L	2.1

O/H Suspension (Includes R&I)

One Side (Includes R&I)

R	4.3
L	4.3

Both Sides (Includes R&I)

8.0

Adjust Four Wheel Alignment

2.0

Adjust Rear Alignment

1.6

Bleed Brake System

.6

NOTE 1: R&I/R&R Does Not include alignment or bleed brake system.

NOTE 2: All Parts in this section are included in overhaul unless noted otherwise.

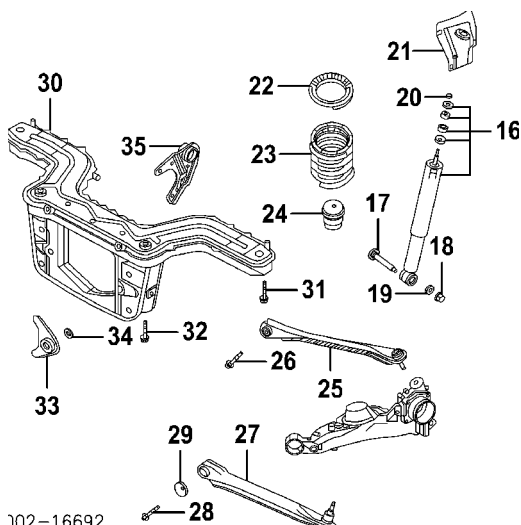
1 Drum, Brake	R	#.5	8L8Z 1126 BD	\$72.70
	L	#.5	8L8Z 1126 BD	\$72.70
#R&R Both		.8		
2 Shoe Set, Brake				
			2008	
			To 7-24-07	
		#.8	8L8Z 2200 B	\$49.92
		#.8	8L8Z 2200 BD	\$83.30
		#.8	8L8Z 2200 BD	\$83.30
			From 7-25-07	
			2009-10	

2009 Ford Escape Limited Utility

#w/Drums Removed				
3	Hub Assy	R	#2.6	6L8Z 1109 BA \$217.00
		L	#2.6	6L8Z 1109 BA \$217.00
4	Stud, Lug (5/Side)¶	R		6L8Z 1107 A \$5.37
		L		6L8Z 1107 A \$5.37
¶Included w/Hub Assy				
5	Retainer, Bearing	R	#2.6	YL8Z 1L124 AA \$7.50
		L	#2.6	YL8Z 1L124 AA \$7.50
6	Bearing, Axle	R	#2.6	YL8Z 1225 AA \$64.15
		L	#2.6	YL8Z 1225 AA \$64.15
7	Plate, Backing	R	#2.6	8L8Z 2211 B \$63.58
		L	#2.6	8L8Z 2212 B \$59.98
8	Knuckle, Rear	08-09 R	#2.6	AL8Z 5808 A \$240.32
		L	#2.6	AL8Z 5808 B \$240.32
		10 R	#2.6	AL8Z 5808 A \$240.32
		L	#2.6	AL8Z 5808 B \$240.32
#R&R One Side Complete, Includes R&R Brake Drum				
9	Bushing, Knuckle	08-09 R	#.4	5L8Z 5A638 AA \$21.98
		L	#.4	5L8Z 5A638 AA \$21.98
		10 R	#.4	AL8Z 5A638 A \$37.67
		L	#.4	AL8Z 5A638 A \$37.67
#w/Knuckle Removed				
10	Stop, Bushing	R		8L8Z 5K827 A \$16.65
		L		8L8Z 5K827 A \$16.65
11	Bolt, Mounting	R		* W710205 S439 \$9.00
		L		* W710205 S439 \$9.00
12	Bolt, Adjusting	R		6L8Z 5K751 A \$11.93
		L		6L8Z 5K751 A \$11.93
13	Plate, Outer Adjusting	R		6L8Z 5K751 AB \$8.72
		L		6L8Z 5K751 AB \$8.72
14	Sensor, Rear ABS-See ABS/Brakes Section			
15	Hose, Brake	R	#.4	9L8Z 2A442 A \$24.58
		L	#.4	9L8Z 2A442 B \$27.42

#w/Knuckle Assy Removed Deduct .2

2009 Ford Escape Limited Utility



16 Absorber, Shock

2.3L Eng

Man Trans

08 R	#.8	8L8Z 18125 A	\$65.57
L	#.8	8L8Z 18125 A	\$65.57

Auto Trans

08 R	#.8	8L8Z 18125 B	\$65.57
L	#.8	8L8Z 18125 B	\$65.57

2.5L Eng

Man Trans

09-10 R	#.8	9L8Z 18125 C	\$49.22
L	#.8	9L8Z 18125 C	\$49.22

Auto Trans

09-10 R	#.8	9L8Z 18125 A	\$49.22
L	#.8	9L8Z 18125 A	\$49.22

3.0L Eng

2008

16" Wheels

R	#.8	8L8Z 18125 D	\$65.57
L	#.8	8L8Z 18125 D	\$65.57

17" Wheels

R	#.8	8L8Z 18125 C	\$65.57
L	#.8	8L8Z 18125 C	\$65.57

2009-10

R	#.8	9L8Z 18125 B	\$49.22
L	#.8	9L8Z 18125 B	\$49.22

#w/Knuckle Removed Deduct .5, R&R Both Sides 1.4

17 Bolt, Shock Mtg

R	* W706874 S439	\$10.50
L	* W706874 S439	\$10.50

18 Nut, Lock

R	* W520517 S440	\$3.50
L	* W520517 S440	\$3.50

19 Washer, Mtg

R	* W710426 S441	\$7.00
L	* W710426 S441	\$7.00

20 Nut, Upper Shock (2/Side)

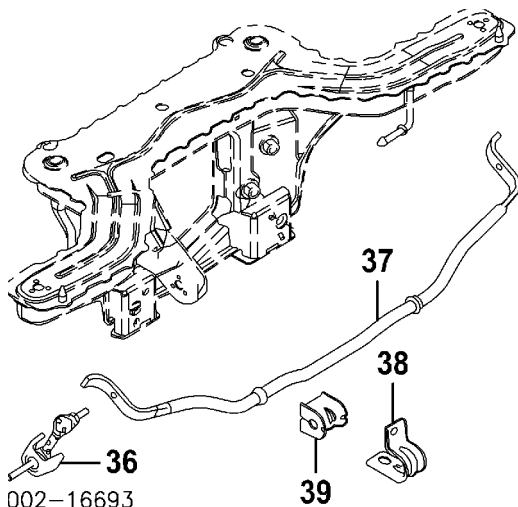
08 R	* W520504 S440	\$6.00
L	* W520504 S440	\$6.00

2009 Ford Escape Limited Utility

	09-10	R		N.A.	
		L		N.A.	
21		R	#	YL8Z 18A002 AA	\$23.30
		L	#	YL8Z 18A003 AA	\$25.42
	#Not Included in O/H				
22		R	#.8	YL8Z 5A565 AA	\$17.16
		L	#.8	YL8Z 5A565 AA	\$17.16
23		08 R	#.8	8L8Z 5560 B	\$95.40
		L	#.8	8L8Z 5560 B	\$95.40
	09-10	R	#.8	9L8Z 5560 B	\$79.14
		L	#.8	9L8Z 5560 B	\$79.14
	(b) Order by Application				
	#R&R One Side Complete, R&R Both Sides 1.4, Included in R&R Knuckle Assy				
24		R		9L8Z 18159 A	\$11.08
		L		9L8Z 18159 A	\$11.08
25		08 R	#.6	YL8Z 5500 AA	\$54.47
		L	#.6	YL8Z 5500 AB	\$54.47
	09-10	R	#.6	9L8Z 5500 A	\$126.07
		L	#.6	9L8Z 5500 B	\$126.07
26		08 R		* W707646 S439	\$14.40
		L		* W707646 S439	\$14.40
	09-10	R		* W713307 S439	\$25.59
		L		* W713307 S439	\$25.59
27		08 R	#.6	5L8Z 5500 AC	\$58.80
		L	#.6	5L8Z 5500 AD	\$58.80
	09-10	R	#.6	9L8Z 5500 C	\$128.13
		L	#.6	9L8Z 5500 D	\$128.13
	#R&R Both One Side 1.0, w/Knuckle Assy Removed Deduct .3				
28		08 R		* W707646 S439	\$14.40
		L		* W707646 S439	\$14.40
	09-10	R		* W713307 S439	\$25.59
		L		* W713307 S439	\$25.59
29		08 R		9L8Z 4059 A	\$5.55
		L		9L8Z 4059 A	\$5.55
	09-10	R		9L8Z 4059 A	\$5.55
		L		9L8Z 4059 A	\$5.55
30			08 #6.5	6L8Z 5035 A	\$306.08
			09-10 #6.5	9L8Z 5035 A	\$329.53
	#Not Included in O/H				
	Bolt, Crossmember Mounting				
31		R		* W706910 S439	\$15.75

2009 Ford Escape Limited Utility

	L	* W706910 S439	\$15.75
32 Inner	R	* W707721 S439	\$6.00
	L	* W707721 S439	\$6.00
33 Brkt, Front Diff'l	R	8L8Z 4K360 A	\$50.00
	L	8L8Z 4C037 A	\$32.25
34 Washer, Mtg	R	9L8Z 4059 A	\$5.55
	L	9L8Z 4059 A	\$5.55
35 Brkt, Rear Diff'l		8L8Z 4K204 A	\$67.82



36 Link, Stabilizer	09-10 R	#.4	9L8Z 5K484 B	\$31.15
	L	#.4	9L8Z 5K484 B	\$31.15

#Not Included in O/H

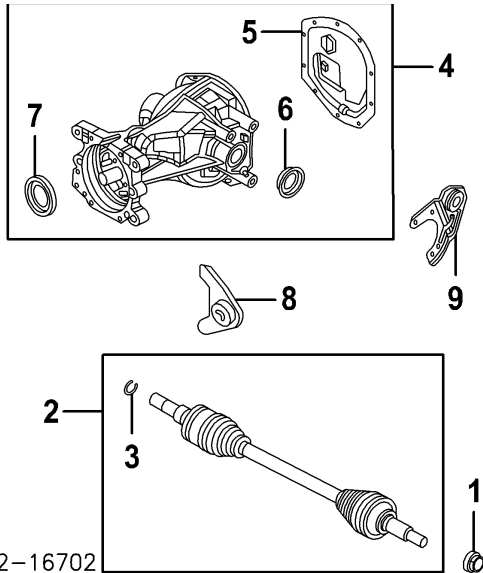
37 Bar, Stabilizer				
	2009			
	To 12-1-08	#.8	9L8Z 5A772 A	\$64.15
	From 12-2-08	#.8	9L8Z 5A772 C	\$130.67
	2010	#.8	9L8Z 5A772 C	\$130.67

#Includes R&R Stabilizer Links, Brackets & Bushings, Not Included in O/H

38 Brkt, Stabilizer	09-10 R	#	9L8Z 5486 A	\$8.55
	L	#	9L8Z 5486 A	\$8.55
39 Bushing, Stabilizer	09-10 R	#	9L8Z 5493 A	\$18.32
	L	#	9L8Z 5493 A	\$18.32

#Not Included in O/H

**REAR DRIVE AXLE**



002-16702

**R&I Differential Assy** #4.0

#Includes R&I Rear Axle Assy

**R&I Rear Axle Assy** R #.4  
L #.4

#w/Necessary Suspension Components Removed

1 Nut, Axle	R		* W705967 S439X	\$11.00
	L		* W705967 S439X	\$11.00
2 Axle Assy, Rear	R	#.4	8L8Z 4K138 A	\$218.15
	L	#.4	8L8Z 4K139 A	\$285.98

#w/Necessary Suspension Components Removed

3 Retainer, Shaft¶	R		7E5Z 4B422 B	\$39.00
	L		7E5Z 4B422 B	\$39.00

¶Included w/Rear Axle Assy

Rotor, ABS Sensor

2008-See ABS/Brakes Section

2009-10-Serviced w/Rear Axle Assy

4 Differential Assy, Rear	08-09	4.5	9E51 4000 AA	\$1,578.27
	10	4.5	9E51 4000 AB	\$1,221.60
5 Cover, Differential (a)		1.0	7E5Z 4033 A	\$44.97

2009 Ford Escape Limited Utility

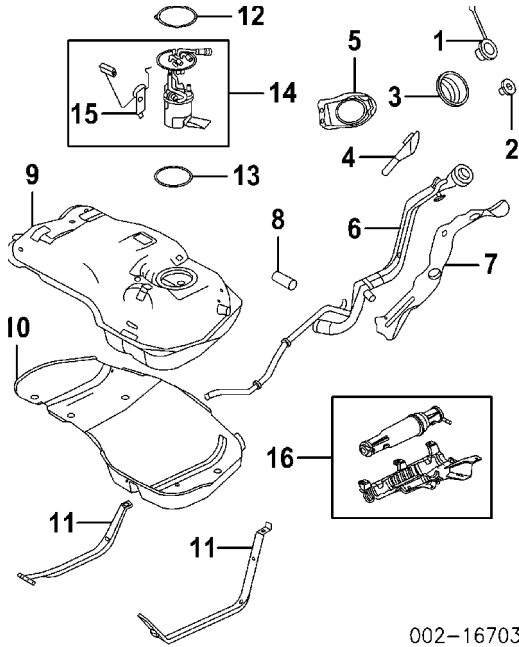
6 Seal, Axle (a)	R	5L8Z 4B416 AA	\$17.08
	L	5L8Z 4B416 AA	\$17.08
7 Seal, Carrier (a)		8G1Z 4N046 A	\$17.08

(a) Included w/Rear Differential Assy

8 Brkt, Front Diff'l-See Rear Suspension Section

9 Brkt, Rear Diff'l-See Rear Suspension Section

**FUEL TANK**



002-16703

**R&I Fuel Tank**

#2.5

#Includes R&I Exhaust System

**Add to R&I/R&R Fuel Tank  
w/4WD**

1.5

NOTE: R&I/R&R Does Not include drain and refill.

1	Cap, Fuel Filler			
	Locking	08	8L3Z 9030 E	\$60.38
	Non-Locking	08	8L3Z 9030 D	\$29.28
2	Adapter, Fuel Filler	09-10	8U5Z 9C268 B	\$19.99
3	Cover, Dust	08	8L8Z 9039 A	\$17.49
4	Funnel, Filler	09-10	8U5Z 17B068 B	\$8.15
5	Housing, Fuel Filler-See Quarter Panel Section			
6	Pipe, Filler			
		2008		
	w/OVRS		.8 8L8Z 9034 E	\$252.11
	w/o OVRS		.8 8L8Z 9034 D	\$254.00
		2009	.8 AL8Z 9034 B	\$222.57
		2010		
	2.5L Eng		.8 AL8Z 9034 B	\$222.57
	3.0L Eng		.8 AL8Z 9034 A	\$205.34
7	Insulator, Filler Pipe		YL8Z 9A288 AA	\$32.43



2009 Ford Escape Limited Utility

8 Protector			YL8Z 9A117 AA	\$20.00
9 Tank, Fuel				
	2008			
w/OVRS		#2.7	8L8Z 9002 C	\$700.90
w/o OVRS		#2.7	8L8Z 9002 B	\$523.05
	2009	#2.7	9L8Z 9002 B	\$637.87
	2010	#2.7	AL8Z 9002 A	\$929.10
#Includes R&I Exhaust System				
10 Shield, Tank				
	2008		8L8Z 9B007 A	\$143.32
	2009			
2.5L Eng			8L8Z 9B007 B	\$126.74
3.0L Eng			9L8Z 9B007 A	\$76.17
	2010		AL8Z 9B007 A	\$132.96
11 Strap, Tank				
		08 R	8L8Z 9092 A	\$32.23
		L	8L8Z 9092 B	\$37.02
		09-10 R	9L8Z 9092 A	\$37.77
		L	8L8Z 9092 A	\$32.23
12 Ring, Retainer		08	6R3Z 9C385 A	\$9.98
		09-10	4L2Z 9C385 AA	\$11.00
13 O-Ring, Pump		08	3S4Z 9276 AA	\$6.95
		09-10	4L3Z 9276 AA	\$15.11
14 Pump Assy, Fuel				
	2008			
w/OVRS		#1.0	8L8Z 9H307 D	\$337.30
w/o OVRS		#1.0	8L8Z 9H307 G	\$340.68
	2009	#1.0	9L8Z 9H307 C	\$222.15
	2010			
2.5L Eng		#1.0	AL8Z 9H307 A	\$226.82
3.0L Eng		#1.0	AL8Z 9H307 B	\$245.43
15 Sender, Fuel¶				
	2008			
To 8-24-07		#1.0	8L8Z 9A299 B	\$101.91
From 8-25-07		#1.0	8L8Z 9A299 C	\$58.76
	2009	#1.0	9L8Z 9A299 A	\$104.60
	2010			
2.5L Eng		#1.0	AL8Z 9A299 A	\$104.60
3.0L Eng		#1.0	AL8Z 9A299 B	\$104.60

¶Included w/Fuel Pump Assy

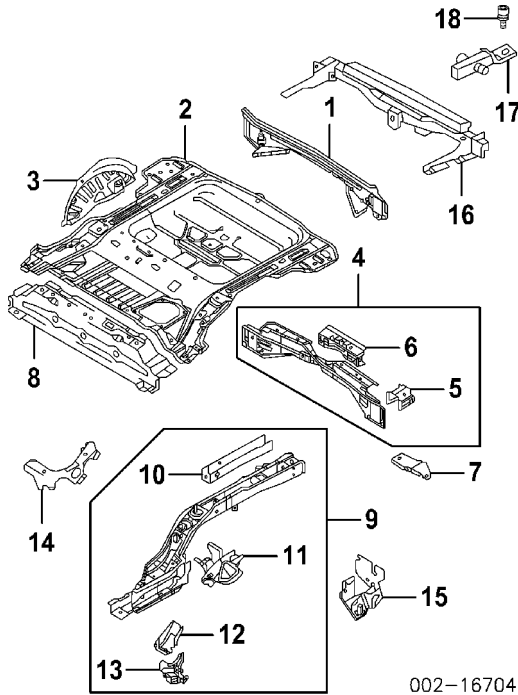
#Included in R&R Fuel Tank

16 Canister Assy, Vapor-See Emission System Section

## REAR BODY

Procedures 26 and 28

### SHEET METAL



Refinish Rear Body Panel				2.0	
Add for Edge & Inside				1.0	
Refinish Rear Floor Pan				2.0	
Add for Underside				.8	
Refinish Sidemember Assy		R		1.2	
		L		1.2	
R&I Trailer Hitch				.5	
1 Panel, Rear Body	#6.0		8L8Z 7810928 A		\$75.37

#Deduct 1.6 w/Each Quarter Panel Removed, Deduction Includes Common Surfaces & Included Operations

Adhesive, Panel Bonding				N.A.	
2 Pan, Rear Floor	08-09 #15.5		AL8Z 7811215 A		\$1,775.23
	10 #15.5		AL8Z 7811215 A		\$1,775.23

#w/Rear Body Panel Removed, Includes R&R Rear Crossmember

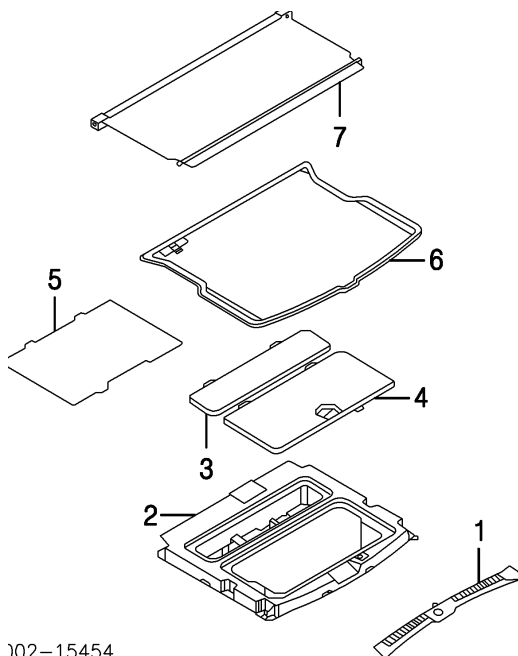
3 Panel, Wheelhouse-See Quarter Panel Section					
4 Crossmember Assy, Rear	#6.0		5L8Z 78107A52 AA		\$259.93
5 Bracket, Bumper Mtg	R #1.0		YL8Z 17787 AA		\$15.97

2009 Ford Escape Limited Utility

	L	#1.0	YL8Z 17788 AA	\$15.97
6 Crossmember, Floor¶		#.8	5L8Z 7810608 AA	\$51.82
¶Included w/Rear Crossmember Assy				
#w/Rear Body Panel Removed				
7 Extension, Crossmember	R	#1.0	YL8Z 78110A26 AA	\$35.75
	L	#1.0	YL8Z 78110A27 AA	\$35.83
#Deduct .4 w/Rear Body Panel Removed				
8 Crossmember, Front Floor		7.5	8L8Z 7811644 A	\$116.23
9 Sidemember Assy	08 R	#13.0	5L8Z 7810124 BA	\$610.80
	L	#13.0	5L8Z 7810125 B	\$559.05
	09-10 R	#13.0	9L8Z 7810124 A	\$531.52
	L	#13.0	9L8Z 7810125 A	\$510.98
#w/Rear Floor Pan Removed Deduct 3.5				
10 Reinf, Upper (a)	R		YL8Z 5B044 AA	\$40.40
	L		5L8Z 5B045 AA	\$36.52
11 Reinf, Sidemember (a)	R	3.5	3L8Z 3C154 AA	\$137.48
	L	3.5	3L8Z 3C155 AA	\$144.82
12 Reinf, Lower (a)	R	2.0	YL8Z 5044 AA	\$37.90
	L	2.0	YL8Z 5045 AA	\$37.90
13 Brkt, Sidemember (a)	R	2.0	YL8Z 5596 AA	\$104.48
	L	2.0	YL8Z 5596 AB	\$108.15
(a) Included w/Sidemember Assy				
14 Brkt, Seat Mounting	R	2.0	YL8Z 78638A88 AA	\$17.28
	L	2.0	YL8Z 78638A88 BA	\$17.28
15 Extension, Sidemember		2.0	5L8Z 7811250 A	\$58.52
16 Hitch, Tow				
Factory Installed	08	.5	8L8Z 17D826 AA	\$267.53
	09-10	.5	9L8Z 17D826 A	\$318.90
Dealer Installed		.5	8L8Z 19D520 B	\$225.00
17 Receiver, Hitch				
Factory Installed	09-10		1L2Z 19A282 AA	\$32.00
Dealer Installed			1L2Z 19A282 AA	\$32.00
18 Ball, Hitch				
Factory Installed	09-10		F5TZ 19F503 A	\$13.24
Dealer Installed				
1-7/8"			F5TZ 19F503 A	\$13.24
2"			F5TZ 19F503 B	\$17.66

INTERIOR TRIM

2009 Ford Escape Limited Utility

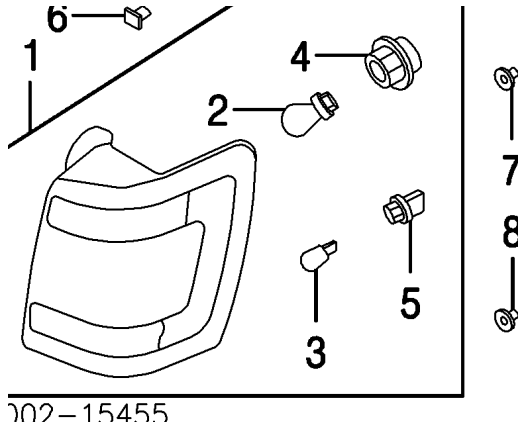


107-15454

1	Plate, Rear Scuff		
	Black	.2	8L8Z 7842624 AC \$46.23
	Camel	.2	8L8Z 7842624 AB \$46.23
	Stone	.2	8L8Z 7842624 AA \$46.17
2	Compartment, Storage		
	w/Cargo Management Pkg	.2	8L8Z 78115A00 A \$149.36
	w/o Cargo Management Pkg	.2	8L8Z 7845026 A \$266.00
	Cover, Storage		
	w/Cargo Management Pkg		
3	Front	.1	8L8Z 7845026 B \$128.75
4	Rear	.1	8L8Z 7845026 C \$262.38
5	w/o Cargo Management Pkg	.1	8L8Z 7845026 D \$17.48
6	Mat, Rear		
	Black		8L8Z 7813046 AA \$85.90
	Camel		8L8Z 7813046 AC \$85.90
	Stone		8L8Z 7813046 AB \$85.90
7	Cover, Luggage-See Quarter Panel Section		

## REAR LAMPS

### COMBINATION LAMP



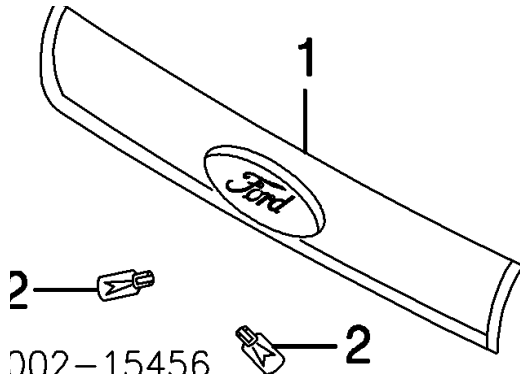
#### R&I Combination Lamp Assy

	R	.2		
	L	.2		
1 Lamp Assy, Combination	R	.2	8L8Z 13404 A	\$77.90
	L	.2	8L8Z 13405 A	\$77.90
2 Bulb, Signal/Stop/Tail¶	R	#.2	6E5Z 13466 AC	\$2.54
	L	#.2	6E5Z 13466 AC	\$2.54
3 Bulb, Back-Up¶	R	#.2	E6DZ 13466 B	\$3.50
	L	#.2	E6DZ 13466 B	\$3.50
#R&R One Side Complete, Included in R&I/R&R Combination Lamp Assy				
4 Socket, Tail/Stop/Signal Bulb¶	R		2U5Z 13411 DA	\$10.80
	L		2U5Z 13411 DA	\$10.80
5 Socket, Back-Up Bulb¶	R		F81Z 13411 AA	\$13.98
	L		F81Z 13411 AA	\$13.98
¶Included w/Combination Lamp Assy				
Grommet, Mtg				
6 Type 1, (2/Side)	R		* W706956 S300	\$2.50
	L		* W706956 S300	\$2.50
Type 2				
7 Upper	R		YL8Z 13A457 AA	\$2.22
	L		YL8Z 13A457 AA	\$2.22
8 Lower	R		YL8Z 13A457 BA	\$1.93
	L		YL8Z 13A457 BA	\$1.93

Harness, Rear Lamp-See Rocker/Pillars/Floor Section

### LICENSE LAMP

2009 Ford Escape Limited Utility

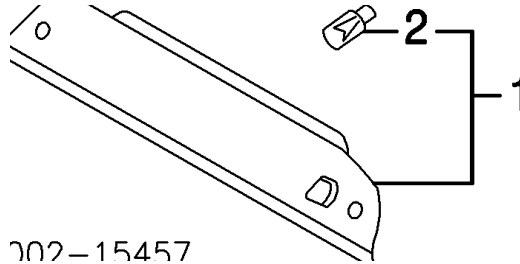


1 Handle/Garnish, Outside-See Liftgate Section

2 Bulb, License Lamp

R	C2AZ 13466 C	\$0.80
L	C2AZ 13466 C	\$0.80

HIGH MOUNT STOP LAMP



002-15457

R&I Stop Lamp Assy

#.2

#Included in R&R Gate Shell

1 Lamp Assy, Stop

#.2

8L2Z 13A613 A	\$51.73
---------------	---------

#Included in R&R Gate Shell

2 Bulb, Stop Lamp (a)¶

#.2

E5RY 13466 B	\$2.50
--------------	--------

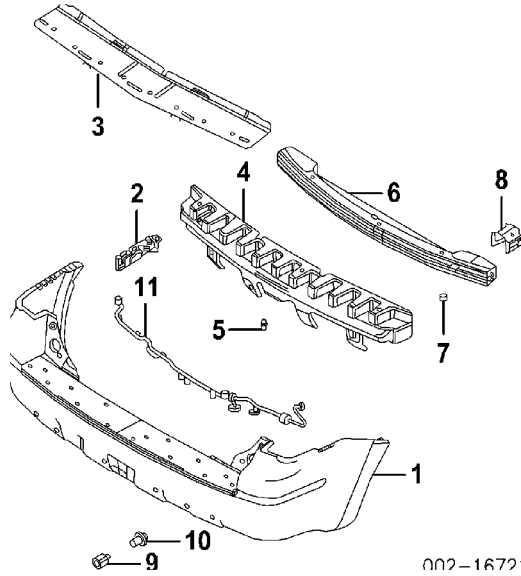
¶Included w/Stop Lamp Assy

(a) As Required

#Included in R&I Stop Lamp Assy

## REAR BUMPER

Procedures 27 and 28



Refinish Rear Bumper Cover	3.0
R&I Rear Bumper Cover Assy	.8
O/H Rear Bumper Cover Assy (Includes R&I)	1.5
Add to R&R or O/H Rear Bumper Cover Assy	
w/Rear Object Sensors	.4
To Drill Holes for Installation	
w/Rear Object Sensors	.7

NOTE: All Parts in this section are included in O/H unless noted otherwise.

1 Cover, Rear Bumper (Thermoplastic) (P)			8L8Z 17K835 APTM	
	1.5			\$362.13
(P) Paint to Match				
2 Reinf, Side		R #.2	8L8Z 17E814 C	\$14.07
		L #.2	8L8Z 17E814 D	\$14.07
3 Pad, Bumper		#.3	8L8Z 17B807 AA	\$66.32
#w/Rear Bumper Cover Removed				
4 Absorber, Energy				
w/Towing Pkg		IOH	8L8Z 17C882 B	\$91.55
w/o Towing Pkg		IOH	8L8Z 17C882 A	\$89.62
5 Fastener, Absorber (3)			* W704350 S301	\$7.00

2009 Ford Escape Limited Utility

6 Reinf, Bumper	08 #.3	5L8Z 17D942 AA	\$87.73
	09-10 #.3	9L8Z 17D942 A	\$81.72
#w/Rear Bumper Cover Removed, Not Included in O/H			
7 Nut, Mtg (2/Side)	R	* W707144 S441	\$1.50
	L	* W707144 S441	\$1.50
8 Bracket, Bumper Mtg-See Rear Body Section			
9 Bracket, Object Sensor (2/Side)	R	# 8L8Z 15K861 BA	\$7.25
	L	# 8L8Z 15K861 AA	\$7.25
10 Sensor, Rear Object (4)		#.1 3F2Z 15K859 BA	\$118.32
11 Harness, Rear Wiring			
w/Towing Pkg			
w/Rear Object Sensors		# 8L8Z 13A576 BA	\$74.17
w/o Rear Object Sensors		# 8L8Z 13A576 AA	\$56.00
w/o Towing Pkg		# 8L8Z 15K868 AA	\$91.27
#w/Rear Bumper Cover Removed, Not Included in O/H			