

2001 Ford Escape XLT Utility

## SPECIAL CAUTIONS

### AIR BAGS

Refer to Procedure Explanation 29 for Supplemental Restraint/Air Bag Special Cautions.

### SUSPENSION

Manufacturer advises that some new fasteners must be used whenever old fasteners are loosened or removed.

2001 Ford Escape XLT Utility

## PAINT CODE LOCATION

Paint code is located on the left-hand front door jamb.

2001 Ford Escape XLT Utility

## CLEAR COAT IDENTIFICATION

All colors are clear coat.

2001 Ford Escape XLT Utility

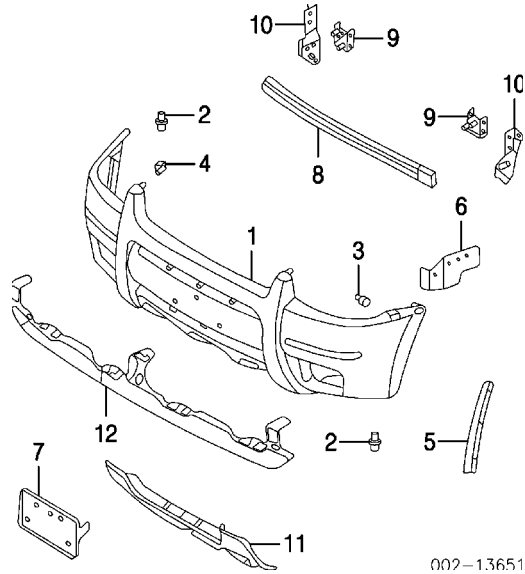
## INFORMATION LABELS

Labels must be special ordered from dealer by vehicle name, serial number and application.

2001 Ford Escape XLT Utility

## FRONT BUMPER

Procedures 1 and 28



Refinish Front Cover		3.2
Refinish Reinforcement Bar		.5
Refinish Lower Wheel Opening Moulding	R	.2
	L	.2
R&I Front Cover Assy		1.0
O/H Bumper Assy (Includes R&I)		2.0
Add to R&R or O/H Front Cover		
w/Wheel Opening Mldgs		.2
w/Fog Lamps		.3
w/Grille Guard		.4
To Drill Holes for Installation		
w/Wheel Opening Mldgs		.4
w/Fog Lamps		.6

NOTE: All Parts in this section are included in overhaul unless noted otherwise.

1 Cover, Front

XLS Model  
2001-04

Platinum

Titanium

2005-07

XLT Model

1.8 YL8Z 17D957 EAB \$246.00

1.8 YL8Z 17D957 EAA \$245.00

1.8 5L8Z 17D957 AAA \$371.37

2001 Ford Escape XLT Utility

w/Appearance Pkg (P)	02-0	1.8	2L8Z 17D957	\$479.80
	05-0	1.8	5L8Z 17D957 DAA	\$635.93
w/o Appearance Pkg				
2001-04				
w/Wheel Opening Mldgs				
Platinum		1.8	YL8Z 17D957 EAB	\$246.00
Titanium	01-0	1.8	YL8Z 17D957 EAA	\$245.00
w/o Wheel Opening Mldgs				
Platinum		1.8	YL8Z 17D957 EAB	\$246.00
Titanium	01-0	1.8	YL8Z 17D957 EAA	\$245.00
2005-07				
XLT Sport Model	05-0	1.8	5L8Z 17D957 CAA	\$455.28
	07	1.8	N.A.	
Limited Model (P)	03-0	1.8	2L8Z 17D957	\$479.80
	05-0	1.8	5L8Z 17D957 DAA	\$635.93
(P) Paint to Match				
2 Retainer, Front Cover¶			* W706713 S300	\$2.00
¶As Required				
3 Rivet, Front Cover	R		* W707388 S300	\$2.50
	L		* W707388 S300	\$2.50
4 Clip, Front Cover (2/Side)	R		* W705971 S300	\$2.25
	L		* W705971 S300	\$2.25
5 Mldg, Lwr Wheel Opng				
2001-06				
XLT Model				
w/Appearance Pkg (P)	02-0 R	.2	3L8Z 16038 BAPTM	\$130.68
	L	.2	3L8Z 16039 BAPTM	\$134.02
w/o Appearance Pkg				
Platinum	R	.2	YL8Z 16038 AAB	\$27.65
	L	.2	YL8Z 16039 AAB	\$27.65
Titanium	01-0 R	.2	YL8Z 16038 AAA	\$30.23
	L	.2	YL8Z 16039 AAA	\$30.23
XLT Sport Model	05-0 R	.2	YL8Z 16038 AAB	\$27.65
	L	.2	YL8Z 16039 AAB	\$27.65
Limited Model (P)	03-0 R	.2	3L8Z 16038 BAPTM	\$130.68
	L	.2	3L8Z 16039 BAPTM	\$134.02
	2007			
Smooth Finish (P)	R	.2	3L8Z 16038 BAPTM	\$130.68
	L	.2	3L8Z 16039 BAPTM	\$134.02
Textured Finish	R	.2	YL8Z 16038 AAB	\$27.65
	L	.2	YL8Z 16039 AAB	\$27.65
(P) Paint to Match				

2001 Ford Escape XLT Utility

6 Brkt, Lower Lamp-See Front Lamps Section

7 Bracket, License

2001-04		.2	YL8Z 17A385 BB	\$27.00
2005-06		.2	7L8Z 17A385 A	\$38.80

2007

To 6-7-06		.2	7L8Z 17A385 A	\$38.80
From 6-8-06		.2	7L8Z 17A385 A	\$38.80

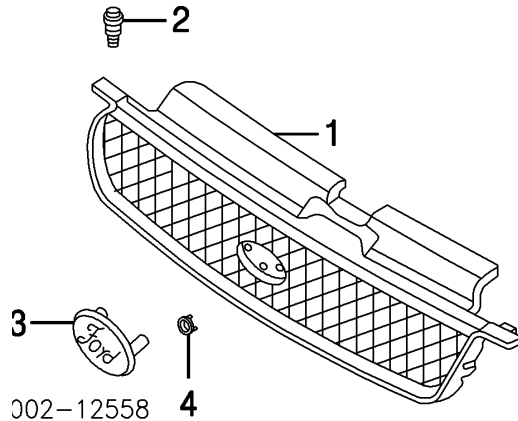
8 Reinforcement		IOH	9L8Z 17757 A	\$71.87
9 Brkt, Reinforcement	R	IOH	YL8Z 17B762 AA	\$55.17
	L	IOH	YL8Z 17B762 BA	\$52.72

10 Brace, Front Fender-See Front Inner Structure Section

11 Plate, Skid	05-06		5L8Z 5B018 AAA	\$122.08
12 Spoiler, Lower	05-0	.3	5L8Z 17626 AAA	\$58.35

2001 Ford Escape XLT Utility

GRILLE



002-12558

R&I Grille

#1.2

#Includes R&I Front Cover Assy, Included in R&R or O/H Front Cover

1 Grille

2001-04

XLS Model

#1.2

YL8Z 17B968 AA

\$108.87

Limited, XLT, XLT Sport Model

#1.2

YL8Z 17B968 BA

\$146.00

2005-07

#1.2

5L8Z 8200 AAB

\$84.90

#Includes R&I Front Cover Assy, Included in R&R or O/H Front Cover

2 Screw, Grille

R

\* W706600 S900

\$13.00

L

\* W706600 S900

\$13.00

3 Emblem, Grille

01-0 #.2

YL8Z 7842528 BB

\$19.25

05-0 #.2

F81Z 8213 AB

\$23.25

#w/Grille Removed

4 Nut, Emblem (2)

\* W706675 S439

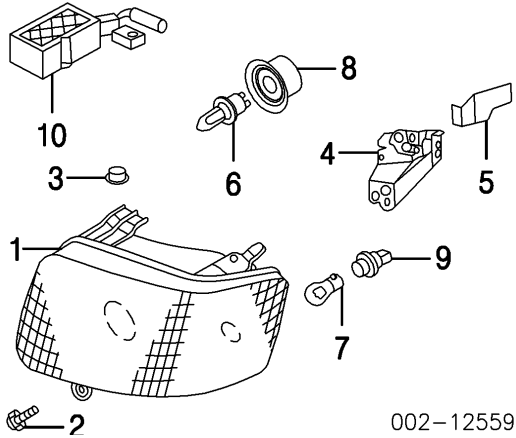
\$2.13



## FRONT LAMPS

### COMBINATION LAMP

2001-04



Aim Lamps

R&I Combination Lamp

.4  
R #1.2  
L #1.2

#Includes R&I Front Cover Assy

NOTE: R&R Does Not include aim lamps.

1 Lamp, Combination  
2001-03 (b)

2004

R	#1.2	4L8Z 13008 AA	\$188.00
L	#1.2	4L8Z 13008 AB	\$188.00
R	#1.2	4L8Z 13008 AA	\$188.00
L	#1.2	4L8Z 13008 AB	\$188.00

(b) Add'l Parts &/or Dealer Contact Required

#Includes R&I Front Cover Assy

2 Screw, Mounting (a)

R		* W707257 S439	\$2.25
L		* W707257 S439	\$2.25

(a) As Required

3 Nut, Mounting

R		* W701694 S441	\$2.00
L		* W701694 S441	\$2.00

4 Brkt, Upper Lamp-See Front Inner Structure Section

5 Brkt, Lower Lamp

R		YL8Z 13A004 BA	\$28.62
L		YL8Z 13A005 BA	\$28.62

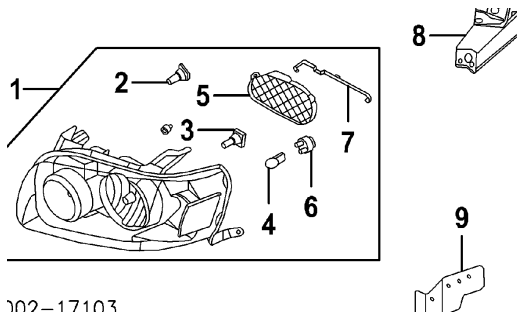
6 Bulb, Headlamp

R	#.2	YS4Z 13N021 AA	\$19.07
L	#.2	YS4Z 13N021 AA	\$19.07

2001 Ford Escape XLT Utility

7 Bulb, Turn Signal	R	#.2	YR3Z 13466 AD	\$5.30
	L	#.2	YR3Z 13466 AD	\$5.30
#R&R One Side Complete, Included in R&I/R&R Combination Lamp				
8 Retainer, Bulb	R		YL8Z 13N019 AA	\$8.62
	L		YL8Z 13N019 AA	\$8.62
9 Socket, Bulb (a)	R		F47Z 13411 A	\$14.38
	L		F47Z 13411 A	\$14.38
10 Module, DRL (a)		.4	F6RZ 13B218 AA	\$71.90
Harness, Front Lamp (a)				
2.0L Eng			3L8Z 14290 HA	\$465.45
3.0L Eng			3L8Z 14290 TA	\$370.18
(a) Order by Application				

**COMBINATION LAMP**  
2005-07



102-17103

**Aim Lamps**

**R&I Combination Lamp**

			.4	
	R	#1.2		
	L	#1.2		

#Includes R&I Front Cover Assy

NOTE: R&R Does Not include aim lamps.

1 Lamp Assy, Combination¶	05-0	R	#1.2	7L8Z 13008 A	\$194.70
		L	#1.2	7L8Z 13008 D	\$197.83
	07	R	#1.2	7L8Z 13008 A	\$194.70
		L	#1.2	7L8Z 13008 D	\$197.83

¶Order by Application

#Includes R&I Front Cover Assy

2 Bulb, High Beam (a)	R	#.2	3W1Z 13N021 BA	\$26.98
	L	#.2	3W1Z 13N021 BA	\$26.98
3 Bulb, Low Beam (a)	R	#.2	2C5Z 13N021 AA	\$25.98
	L	#.2	2C5Z 13N021 AA	\$25.98
4 Bulb, Turn Signal (a)	R	#.2	YR3Z 13466 AD	\$5.30

2001 Ford Escape XLT Utility

	L	#.2	YR3Z 13466 AD	\$5.30
#R&R One Side Complete, Included in R&I/R&R Combination Lamp				
5 Cover, Bulb (a)	R		5L8Z 13K046 AA	\$18.57
	L		5L8Z 13K046 BA	\$18.40
6 Socket, Signal Bulb (a)	R		2U5Z 13411 SA	\$10.67
	L		2U5Z 13411 SA	\$10.67
7 Clip, Retainer (a)	R		5L8Z 13B047 AA	\$5.07
	L		5L8Z 13B047 AA	\$5.07

(a) Included w/Combination Lamp Assy

8 Brkt, Upper Lamp-See Front Inner Structure Section

9 Brkt, Lower Lamp	R	#.2	YL8Z 13A004 BA	\$28.62
	L	#.2	YL8Z 13A005 BA	\$28.62

#w/Combination Lamp Assy Removed

Harness, Front Lamp¶

2.3L Eng

5L8Z 14290 C \$516.20

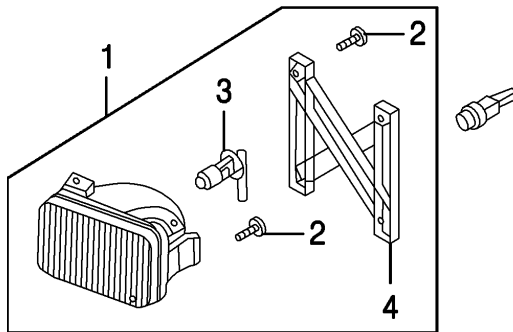
3.0L Eng

5L8Z 14290 YA \$841.70

¶Order by Application

**FOG LAMP**

2001-04



002-12560

**R&I Fog Lamp Assy**

R	#.5
L	#.5

#Included in R&R or O/H Front Bumper

1 Lamp Assy, Fog	R	#.5	YL8Z 15200 AA	\$104.15
2001-02	L	#.5	YL8Z 15200 AB	\$104.15
2003-04				

2001 Ford Escape XLT Utility

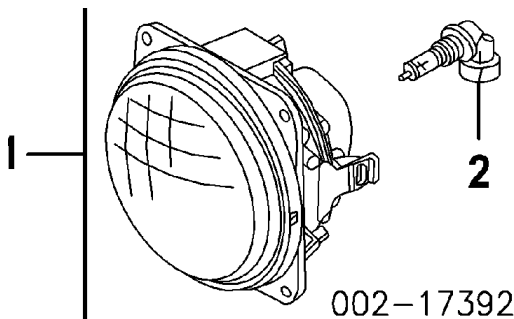
Glass	R	#.5	YL8Z 15200 BC	\$228.87
	L	#.5	YL8Z 15200 BD	\$231.88
Plastic	R	#.5	YL8Z 15200 AA	\$104.15
	L	#.5	YL8Z 15200 AB	\$104.15
#Included in R&R or O/H Front Bumper				
2 Screw, Mounting (a)¶	R		* W504063 S309	\$1.50
	L		* W504063 S309	\$1.50
(a) As Required				
3 Bulb, Fog Lamp¶				
2001-02	R	#.5	YL8Z 13466 BB	\$18.73
	L	#.5	YL8Z 13466 BB	\$18.73
2003-04 (a)	R	#.5	F8RZ 13466 AA	\$14.00
	L	#.5	F8RZ 13466 AA	\$14.00
(a) Order by Application				
4 Brkt, Fog Lamp¶	R	#.5	YL8Z 15266 AA	\$55.62
	L	#.5	YL8Z 15266 AB	\$55.62

¶Included w/Fog Lamp Assy

#R&R One Side Complete, Included in R&R or O/H Front Bumper

**FOG LAMP**

2005-06



R&I Fog Lamp Assy

R	#.5
L	#.5

#Included in R&R Front Cover or O/H Front Bumper Assy

1 Lamp Assy, Fog	R	#.5	2M5Z 15200 AB	\$82.00
	L	#.5	2M5Z 15200 AB	\$82.00

#Included in R&R Front Cover or O/H Front Bumper Assy

2 Bulb, Fog Lamp¶	R	#.5	XL3Z 13466 AA	\$20.00
-------------------	---	-----	---------------	---------

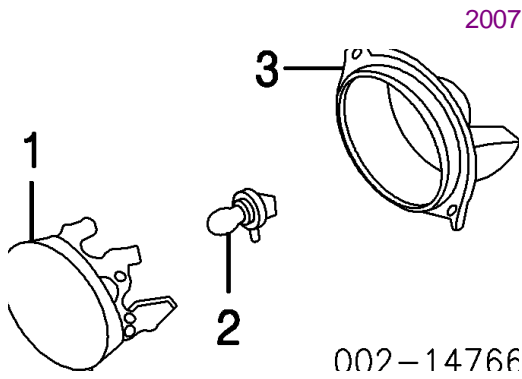
2001 Ford Escape XLT Utility

L #.5 XL3Z 13466 AA \$20.00

¶Included w/Fog Lamp Assy

#Included in R&I/R&R Fog Lamp Assy

FOG LAMP



R&I Fog Lamp

R #.5  
L #.5

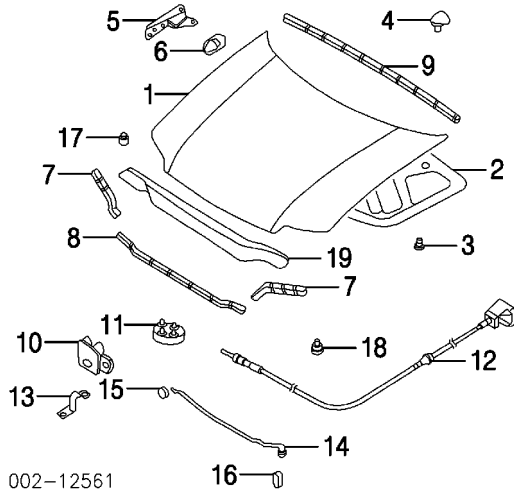
#Included in R&R or O/H Front Bumper

1 Lamp, Fog	R	#.5	7R3Z 15200 A	\$104.47
	L	#.5	7R3Z 15200 A	\$104.47
2 Bulb, Fog Lamp	R	#.5	XL3Z 13466 AA	\$20.00
	L	#.5	XL3Z 13466 AA	\$20.00
3 Bracket, Fog Lamp	R	#.5	7L8Z 15266 A	\$10.15
	L	#.5	7L8Z 15266 A	\$10.15

#R&R One Side Complete, Included in R&R or O/H Front Bumper

## HOOD

Procedures 4 and 28



002-12561

Refinish Hood Outside			2.9	
Add for Underside			1.5	
Refinish Hood Hinge	R		.5	
	L		.5	
R&I Hood Assy			.4	
R&I Air Deflector			.2	
R&I Washer Nozzle	R	#.2		
	L	#.2		
#Included in R&R Hood				
1 Panel, Hood		.9	5L8Z 16612 AA	\$373.52
2 Insulator, Hood		.3	5L8Z 16738 A	\$51.13
3 Clip, Insulator			* W710363 S300	\$2.50
¶As Required				
4 Nozzle, Washer-See Windshield Section				
5 Hinge, Hood	01-0 R	#.2	7L8Z 16796 A	\$19.23
	L	#.2	7L8Z 16797 A	\$19.23
	07 R	#.2	7L8Z 16796 A	\$19.23
	L	#.2	7L8Z 16797 A	\$19.23
#w/Hood & Cowl Grille Removed				
6 Cover, Hinge	R		YL8Z 16C764 AA	\$5.72
	L		YL8Z 16C764 AB	\$5.72
7 Seal, Otr Frt Hood	R	.1	YL8Z 16B990 AA	\$18.33
	L	.1	YL8Z 16B991 AA	\$13.05
8 Seal, Ctr Frt Hood		.1	YL8Z 16A238 BA	\$19.30
2001-02				

2001 Ford Escape XLT Utility

To 10-11-02		.1	YL8Z 16A238 BA	\$19.30
From 10-12-02		.1	5L8Z 16A238 BA	\$27.68
2004-07		.1	5L8Z 16A238 BA	\$27.68
9 Seal, Rear Hood				
	2001	.1	YL8Z 7802254 AA	\$31.07
	2002			
To 6-17-02		.1	YL8Z 7802254 AA	\$31.07
From 6-18-02		.1	8L8Z 7802254 B	\$25.32
2003-07		.1	8L8Z 7802254 B	\$25.32
10 Latch, Hood		.3	6L8Z 16700 B	\$46.22
11 Cover, Striker			YL8Z 16C782 AA	\$6.92
12 Cable, Hood Release	01-0	.7	YL8Z 16916 AA	\$39.08
	05-0	.7	6L8Z 16916 AA	\$40.48
13 Lever, Release Cable	01-0		6L8Z 16A770 A	\$11.95
	07		6L8Z 16A770 A	\$11.95
14 Rod, Support		.1	YL8Z 16826 AA	\$24.50
15 Clip, Support Rod			F7UZ 16828 CA	\$8.00
16 Clamp, Support Rod			5L8Z 16828 AA	\$8.00
17 Bumper, Upper Hood	R	.1	* W705837 S300	\$2.50
	L	.1	* W705837 S300	\$2.50
18 Bumper, Lower Hood	R	.1	* W705893 S300	\$3.00
	L	.1	* W705893 S300	\$3.00
19 Deflector Kit, Air				
Dealer Installed				
Low Profile		#.2	1L8Z 16C900 EA	\$78.57
Wraparound		#.2	1L8Z 16C900 AA	\$78.57
#Not Included in R&R Hood				

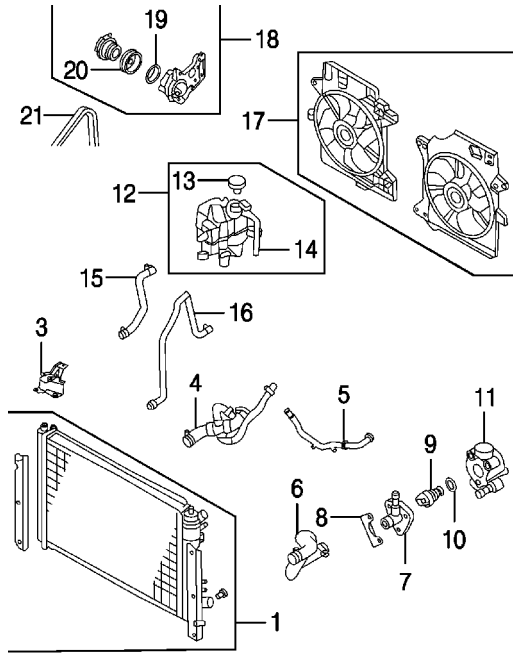
2001 Ford Escape XLT Utility

**COOLING**

Procedures 5 and 28

2.0L ENG

2001-04



102-12562 2

R&I Radiator

Man Trans

Auto Trans

1 Radiator

Man Trans

Auto Trans

2 Support, Lwr Rad

R  
L

1.3  
1.6

1.3 4L8Z 8005 KA \$413.74  
1.6 4L8Z 8005 JA \$319.60

N.A.  
N.A.

3 Brkt, Upper Rad-See Front Inner Structure Section

4 Hose, Lwr Radiator

5 Tube, Water

6 Hose, Upr Radiator

#R&R Both 1.5

7 Connector, Water Inlet

8 Shield, Heat

9 Thermostat

10 O-Ring, Thermostat

11 Housing, Thermostat

Order by Application

#1.1	YL8Z 8286 AE	\$91.11
.8	YL8Z 8548 BA	\$38.36
#.9	YL8Z 8260 AD	\$32.09
	XS4Z 8592 AC	\$40.76
	XS4Z 9A462 AA	\$9.15
#1.0	F8RZ 8575 CA	\$15.52
#1.0	* W703399 S300	\$5.28
#1.0	YS4Z 8592 BD	\$58.76



2001 Ford Escape XLT Utility

#R&R Complete

12 Reservoir Assy, Coolant	.3	YL8Z 8A080 AE	\$70.97
13 Cap, Reservoir (a)		YL8Z 8100 AA	\$23.78
14 Hose, Overflow (a)		YL8Z 8B081 AC	\$24.91

(a) Included w/Coolant Reservoir Assy

15 Hose, Upr Reservoir	#.3	YL8Z 8B081 BA	\$23.00
16 Hose, Lwr Reservoir	#.3	YL8Z 8075 AE	\$24.32

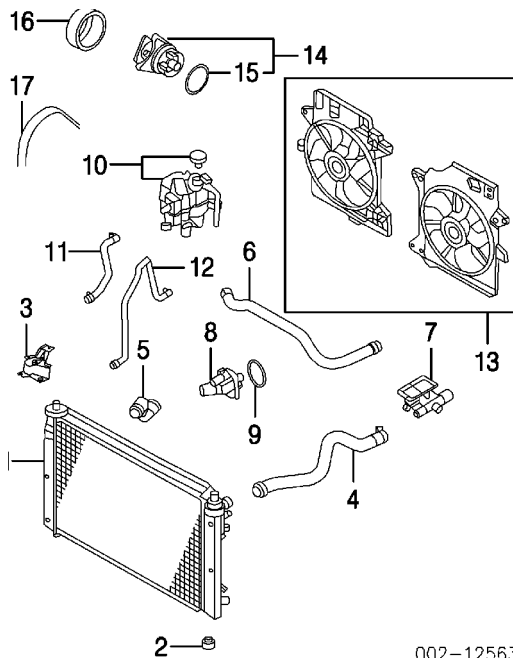
#Each Additional Add .1

17 Fan & Motor, Cooling			
Man Trans	.6	YL8Z 8C607 AA	\$432.07
Auto Trans	.6	YL8Z 8C607 EH	\$436.07
18 Pump Assy, Water	#1.8	F8RZ 8501 EN	\$100.96
#Includes R&R Pulley			
19 Gasket, Water Pump (b)		F8RZ 8507 CA	\$12.00
20 Pulley, Water Pump (b)	.6	XS4Z 8509 AA	\$7.05

(b) Included w/Water Pump Assy

21 Belt, Drive			
w/ A/C	.5	F8RZ 8620 BB	\$60.27
w/o A/C	.5	F8RZ 8620 CA	\$53.69

2.3L ENG  
2005-07



002-12563

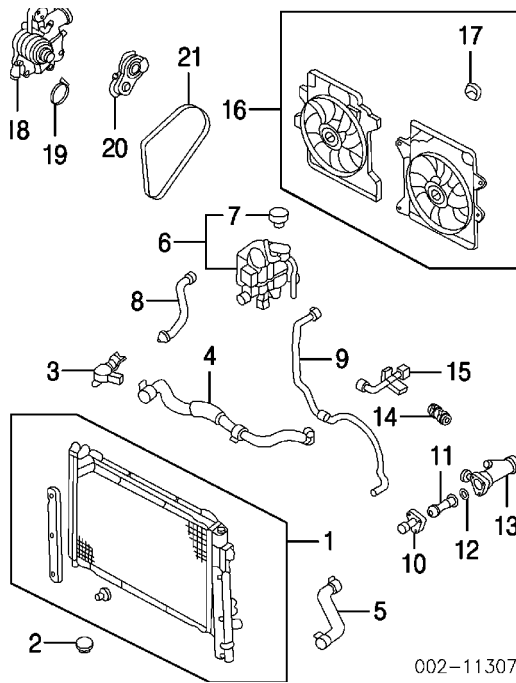
R&I Radiator  
Man Trans

2001 Ford Escape XLT Utility

			1.6	
	<b>Auto Trans</b>			
1	Radiator			
	Man Trans		1.3	6L8Z 8005 AA \$297.40
	Auto Trans		1.6	6L8Z 8005 BA \$376.69
2	Support, Lwr Rad	R		N.A.
		L		N.A.
3	Brkt, Upper Rad-See Front Inner Structure Section			
4	Hose, Upr Radiator¶	#.9		5L8Z 8260 AC \$32.91
	¶Order by Application			
5	Hose, Lwr Radiator	#1.1		5L8Z 8286 AA \$25.56
	#R&R Both 1.5			
6	Hose, By-Pass		.8	3M4Z 8597 AB \$18.20
7	Adapter, Connector			3S4Z 8K556 AA \$87.98
8	Thermostat/Housing	05-0	1.4	4L5Z 8575 B \$41.42
		07	1.4	3M4Z 8575 B \$62.14
9	Gskt, Thermostat			1S7Z 8255 BC \$8.28
10	Reservoir, Coolant		.3	5L8Z 8A080 AA \$69.50
11	Hose, Upr Reservoir¶	#.3		5L8Z 8075 CD \$36.97
	¶Order by Application			
12	Hose, Lwr Reservoir	#.3		5L8Z 8C633 AD \$24.91
	#R&R Complete			
13	Fan & Motor, Cooling		.6	5L8Z 8C607 BF \$414.38
14	Pump Assy, Water	#1.6		4S4Z 8501 AA \$89.98
	#Includes R&R Pulley			
15	Gskt, Water Pump (a)			1S7Z 8507 AE \$9.20
	(a) Included w/Water Pump Assy			
16	Pulley, Water Pump		.7	1S7Z 8509 AB \$12.25
17	Belt, Drive			
	w/ A/C		.6	5L8Z 8620 AB \$55.22
	w/o A/C		.5	5L8Z 8620 BB \$56.33

**3.0L ENG**

2001 Ford Escape XLT Utility



**R&I Radiator**

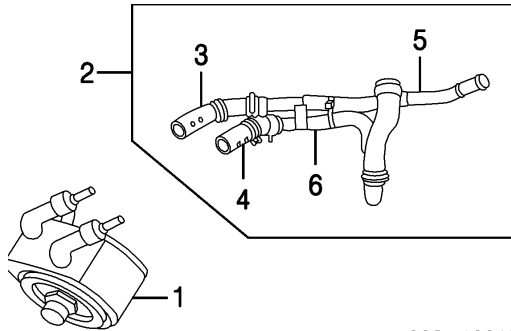
1 Radiator			1.6	
2 Support, Lwr Rad			1.6	6L8Z 8005 LA \$400.88
	01-0	R		YL8Z 8124 BC \$30.43
		L		YL8Z 8124 BC \$30.43
	05-0	R		8L8Z 8125 B \$6.67
		L		8L8Z 8125 B \$6.67
3 Brkt, Upper Rad-See Front Inner Structure Section				
4 Hose, Upr Radiator	01-0	#.9		2L8Z 8260 BA \$58.27
	05-0	#.9		5L8Z 8260 BC \$48.47
		07 #.9		6L8Z 8260 B \$45.76
5 Hose, Lwr Radiator	01-0	#1.1		YL8Z 8286 BE \$55.00
	05-0	#1.1		5L8Z 8286 BD \$29.73
#R&R Both 1.5				
6 Reservoir Assy, Coolant	01-0		.3	1L8Z 8A080 BB \$92.37
		07	.3	YL8Z 8A080 AE \$70.97
7 Cap, Reservoir¶				YL8Z 8100 AA \$23.78
¶Included w/Coolant Reservoir Assy				
8 Hose, Upr Reservoir (b)	01-0	#.3		YL8Z 8B081 BA \$23.00
		07 #.3		6L8Z 8C633 A \$55.62
(b) Order by Application				
9 Hose, Lwr Reservoir		#.3		YL8Z 8075 DA \$24.82
#R&R Both .4				

2001 Ford Escape XLT Utility

10 Connector, Water Outlet		#1.2	YL8Z 8K528 AE	\$22.02
11 Thermostat				
2001-02		#1.2	F8RZ 8575 BA	\$24.16
	2003			
To 3-28-03		#1.2	F8RZ 8575 BA	\$24.16
From 3-29-03		#1.2	1X4Z 8575 EB	\$25.88
2004-07		#1.2	1X4Z 8575 EB	\$25.88
12 O-Ring, Thermostat		#1.2	F1VY 8255 A	\$8.62
13 Housing, Thermostat	01-0	#1.2	YL8Z 8592 AB	\$84.68
	05-0	#1.2	2M2Z 8592 CD	\$82.94
14 Hose, Connector #R&R Complete		#1.2	YL8Z 8A520 AB	\$18.98
15 Tube, By-Pass	01-0	1.5	YL8Z 8548 BL	\$67.11
	05-0	1.5	3F1Z 8548 AC	\$105.91
16 Fan & Motor Assy, Cooling	01-0	.6	2L8Z 8C607 GA	\$455.40
	05-0	.6	5L8Z 8C607 GD	\$462.55
17 Resistor, Cooling Fan (a)		.5	YL8Z 8L603 AA	\$43.70
				(a) Included w/Cooling Fan & Motor Assy
18 Pump, Water				
2001-02		2.0	XS2Z 8501 EA	\$161.98
	2003			
To 6-9-03		2.0	XS2Z 8501 EA	\$161.98
From 6-10-03		2.0	5L8Z 8501 AA	\$163.98
2004-06 (b)		2.0	5L8Z 8501 AA	\$163.98
	2007	2.0	5M8Z 8501 B	\$175.98
				(b) Order by Application
19 Gasket, Water Pump	01-0		2X4Z 8507 BA	\$13.00
	07		5F9Z 8507 AB	\$12.40
20 Pulley, Tensioner #Includes R&R Drive Belt		#.7	F5RZ 8W508 A	\$33.32
21 Belt, Drive		.5	F5RZ 8620 A	\$13.78

2001 Ford Escape XLT Utility

**ENGINE OIL COOLER**



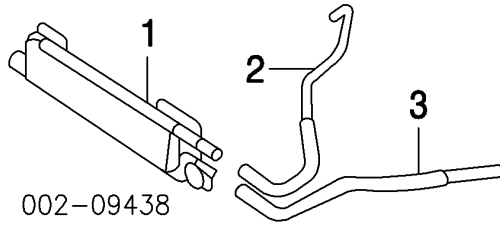
002-10013

1 Cooler, Engine Oil				
2.0L Eng	01-0	1.6 YL8Z 6A642 AA		\$102.65
2.3L Eng	05-0	1.6 1S7Z 6A642 AAA		\$119.15
3.0L Eng	01-0	1.3 F6RZ 6A642 AF		\$226.65
	05-0	1.3 1S7Z 6A642 AA		\$159.98
2 Hose Assy, Oil Cooler				
3.0L Eng	01-0	.8 YL8Z 6K743 AA		\$146.65
	05-0	.8 5L8Z 6K743 AA		\$126.48
3 Hose, Upper Front¶				
3.0L Eng	#.5	YL8Z 6N746 DA		\$55.05
4 Hose, Lower Front¶				
3.0L Eng	#.5	YL8Z 6N746 CA		\$35.03
5 Hose, Upper Rear¶				
3.0L Eng	#.5	YL8Z 6N746 AA		\$41.18
#Each Additional .3				
6 Hose, Lower Rear¶				
3.0L Eng	.8	YL8Z 6N746 BA		\$21.30

¶Included w/Oil Cooler Hose Assy

2001 Ford Escape XLT Utility

**TRANS OIL COOLER**



002-09438

**R&I Trans Oil Cooler**

		#.5		
#w/Front Bumper Removed				
1 Cooler, Trans Oil				
2001-04		#.5	YL8Z 7A095 CA	\$171.65
	2005			
To 7-25-04		#.5	YL8Z 7A095 CA	\$171.65
From 7-26-04		#.5	5L8Z 7A095 BA	\$191.88
2006-07		#.5	5L8Z 7A095 BA	\$191.88
#w/Front Bumper Removed				
2 Hose, Inlet		#.6	YL8Z 7C410 BA	\$43.98
3 Hose, Outlet				
2001-04		#.6	YL8Z 7B028 BA	\$38.48
	2005			
To 7-25-04		#.6	YL8Z 7B028 BA	\$38.48
From 7-26-04		#.6	5L8Z 7B028 AA	\$47.65
2006-07		#.6	5L8Z 7B028 AA	\$47.65
#w/Front Bumper Removed, R&R Both 1.0				

2001 Ford Escape XLT Utility

## A/C REFRIGERANT CAPACITIES

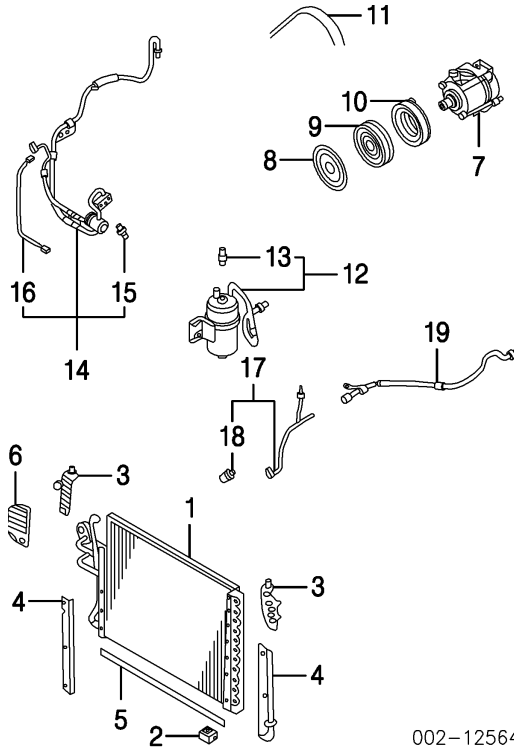
A/C R-134a Refrigerant Capacity

32.0 Ozs (2.0 Lbs), 907 g

## A/C HEATER/VENTILATION

### Procedure 6

2001-04



002-12564

R&I Condenser

#1.3

#w/Radiator Removed Deduct .9

Evacuate & Recharge System

1.4

Recover Refrigerant

.3

NOTE: R&I/R&R Does Not include recover, evacuate and recharge system.

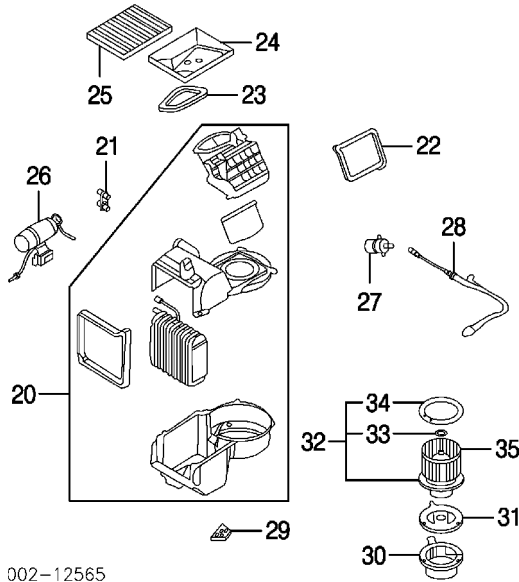
1	Condenser	#1.3	6L8Z 19712 E	\$282.82
#w/Radiator Removed Deduct .9				
2	Insulator, Lwr Condenser	R	YL8Z 19C566 AA	\$12.10
		L	F1CZ 19C566 B	\$13.25
3	Brkt, Upr Condenser	R	YL8Z 19702 DA	\$8.88
		L	YL8Z 19732 DA	\$8.67
4	Seal, Side Condenser	R	YL8Z 19E572 DA	\$17.23
		L	YL8Z 19E572 DA	\$17.23
5	Seal, Lwr Condenser		YL8Z 19E572 EA	\$28.92
6	Bracket, Side	R	YL8Z 19D720 AA	\$9.33
7	Compressor, A/C			



2001 Ford Escape XLT Utility

2.0L Eng	#1.8	4F2Z 19703 AB	\$373.32
3.0L Eng	#1.8	4L3Z 19703 AB	\$359.82
8 Clutch, Compressor			
2.0L Eng	#1.8	6F3Z 19D786 BA	\$44.94
3.0L Eng	#1.8	1L3Z 19D786 BA	\$69.12
9 Pulley, Compressor			
2.0L Eng	#1.8	F2OY 19D784 A	\$96.76
3.0L Eng	#1.8	F3DZ 19D784 B	\$113.40
10 Coil, Compressor	#1.8	F1OY 19D798 A	\$51.82
#R&R Complete			
11 Belt, Drive			
2.0L Eng-See Cooling Section			
3.0L Eng	.5	3L8Z 8620 BA	\$39.09
12 Receiver/Drier Assy	.6	YL8Z 19C836 AA	\$145.16
13 Switch, Pressure (a)	.6	F5VY 19E561 A	\$19.00
(a) Included w/Receiver/Drier Assy			
14 Hose Assy, Pressure			
2.0L Eng	.9	YL8Z 19D850 AA	\$237.68
3.0L Eng	.9	5L8Z 19D850 GA	\$219.82
15 Valve, Pressure (b)		F65Z 19D644 AA	\$10.88
16 Harness, Wiring (b)		YL8Z 19B573 AA	\$24.32
(b) Included w/Pressure Hose Assy			
17 Tube Assy, Condenser	.8	YL8Z 19835 AA	\$79.92
18 Switch, Pressure (c)	.4	8C3Z 19D594 A	\$25.98
(c) Included w/Condenser Tube Assy			
19 Tube, Evaporator	.8	6L8Z 19835 BA	\$105.42

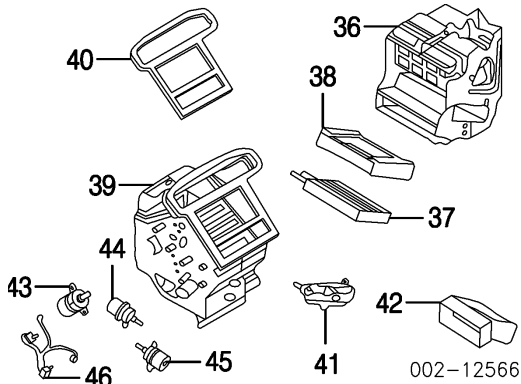
2001 Ford Escape XLT Utility



002-12565

20	Evaporator	#1.3	YL8Z 19B555 DA	\$451.85	
	#w/Instrument Panel Removed				
21	Bracket, Mounting		YL8Z 19A579 CA	\$7.38	
22	Seal, Side Housing		YL8Z 19C594 AA	\$23.25	
23	Seal, Inlet		YL8Z 18594 AA	\$25.42	
24	Retainer, Upper		5L8Z 18797 A	\$34.97	
25	Filter, Pollen	.5	YL8Z 19N619 AB	\$33.98	
26	Reservoir, Vacuum				
	2.0L Eng	.5	YL8Z 19A566 BA	\$42.73	
	3.0L Eng	.5	YL8Z 19A566 AA	\$43.40	
27	Motor, Inlet Door	.8	F42Z 18A318 AA	\$10.77	
28	Hose, Vacuum		YL8Z 19C827 AA	\$20.98	
29	Resistor	.5	4L3Z 19A706 AA	\$24.47	
30	Cover, Blower Motor		YL8Z 18515 AA	\$13.40	
31	Seal, Lwr Blower Motor		YL8Z 18N259 AA	\$20.70	
32	Motor Assy, Blower	.6	YL8Z 19805 DA	\$94.82	
33	Retainer (d)		FOZZ 18A287 A	\$6.18	
34	Seal, Upr Blower Motor (d)				
			2001	F78Z 18N260 AA	\$5.38
			2002		
	To 11-5-01			F78Z 18N260 AA	\$5.38
	From 11-6-01			2L8Z 18N260 AA	\$11.60
	2003-04			2L8Z 18N260 AA	\$11.60
	(d) Included w/Blower Motor Assy				
35	Fan, Blower Motor	.8	YL7Z 18504 AA	\$29.57	

2001 Ford Escape XLT Utility



36 Case, Heater	#1.6	5L8Z 18478 A	\$165.00
37 Core, Heater	#1.7	YL8Z 18476 AA	\$105.00

#w/Instrument Panel Removed, Includes R&R Evaporator Assy

38 Seal, Heater Core		92OZ 18658 CA	\$28.98
39 Box, Air Plenum	#1.6	6L8Z 18471 AA	\$107.50

#w/Instrument Panel Removed

40 Seal, Upper		YL8Z 18K412 AA	\$14.10
41 Cover, Heater Case		5L8Z 18B299 A	\$7.48
42 Duct, Air		YL8Z 18633 AA	\$10.78
2001-02			
2003		YL8Z 18633 AA	\$10.78
To 2-3-03		3L8Z 18633 AA	\$8.55
From 2-4-03		3L8Z 18633 AA	\$8.55
2004		YL8Z 18A318 AA	\$22.46
43 Motor, Upr Vacuum	#.9	YL8Z 18A318 BA	\$22.44
44 Motor, Ctr Vacuum	#.9	F42Z 18A318 AA	\$10.77
45 Motor, Lwr Vacuum	#.9		

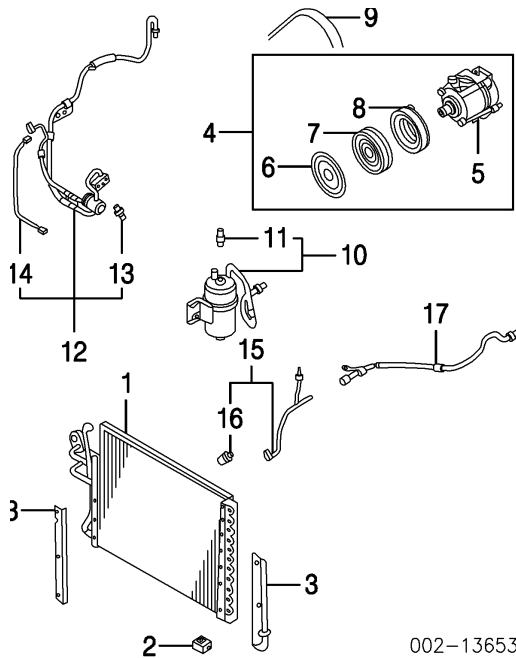
#Each Additional Add .4

46 Harness, Wiring (e)		3L8Z 18C581 AA	\$17.22
------------------------	--	----------------	---------

(e) Order by Application

2005-07

2001 Ford Escape XLT Utility



**R&I Condenser**

#1.3

#w/Radiator Removed Deduct .9

**Evacuate & Recharge System**

1.4

**Recover Refrigerant**

.3

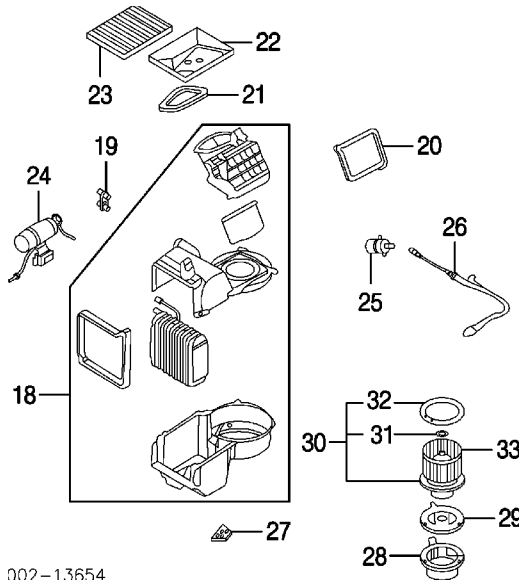
NOTE: R&I/R&R Does Not include recover, evacuate and recharge system.

1	Condenser	#1.3	7L8Z 19712 AA	\$235.53
#w/Radiator Removed Deduct .9				
2	Insulator, Lwr Condenser	R	YL8Z 19C566 AA	\$12.10
		L	YL8Z 19C566 AA	\$12.10
3	Seal, Side Condenser	R	YL8Z 19E572 DA	\$17.23
		L	YL8Z 19E572 DA	\$17.23
4	Compressor Assy			
	2.3L Eng	1.2	5L8Z 19V703 DA	\$432.08
	3.0L Eng	1.2	4L8Z 19V703 CA	\$380.22
5	Compressor, A/C			
	2.3L Eng	#1.8	5L8Z 19703 AA	\$362.94
	3.0L Eng	#1.8	4L3Z 19703 AB	\$359.82
6	Clutch, Compressor			
	2.3L Eng	#1.8	6L8Z 19D786 AA	\$58.92
	3.0L Eng	#1.8	1L3Z 19D786 BA	\$69.12
7	Pulley, Compressor			
	2.3L Eng	#1.8	5L8Z 19D784 AA	\$126.00

2001 Ford Escape XLT Utility

3.0L Eng	#1.8	F3DZ 19D784 B	\$113.40
8 Coil, Compressor¶			
2.3L Eng	#1.8	5L8Z 19D798 AA	\$56.82
3.0L Eng	#1.8	F1OY 19D798 A	\$51.82
¶Included w/Compressor Assy			
#R&R Complete			
9 Belt, Drive			
2.3L Eng-See Cooling Section			
3.0L Eng	.5	5L8Z 8620 AA	\$19.16
10 Receiver/Drier Assy			
2005			
To 10-28-04	.6	YL8Z 19C836 AA	\$145.16
From 10-29-04	.6	6L8Z 19C836 AA	\$145.16
2006-07	.6	6L8Z 19C836 AA	\$145.16
11 Switch, Pressure (a)	.6	F5VY 19E561 A	\$19.00
(a) Included w/Receiver/Drier Assy			
12 Hose Assy, Pressure			
2.3L Eng			
2005			
To 10-28-04	.9	6L8Z 19867 AA	\$89.86
From 10-29-04	.9	5L8Z 19867 AA	\$123.58
2006-07	.9	5L8Z 19867 AA	\$123.58
3.0L Eng			
2005			
To 11-16-04	.9	5L8Z 19D850 CA	\$209.12
From 11-17-04	.9	6L8Z 19D850 AA	\$207.40
2006-07	.9	6L8Z 19D850 AA	\$207.40
13 Valve, Pressure (b)			
2.3L Eng			
N.A.			
3.0L Eng			
F65Z 19D644 AA			
			\$10.88
14 Harness, Wiring (b)			
2.3L Eng			
			\$43.33
3.0L Eng			
			\$24.32
(b) Included w/Pressure Hose Assy			
15 Tube Assy, Condenser	.8	6L8Z 19835 AA	\$79.48
16 Switch, Pressure (c)	.4	8C3Z 19D594 A	\$25.98
(c) Included w/Condenser Tube Assy			
17 Tube, Evaporator	.8	6L8Z 19835 BA	\$105.42

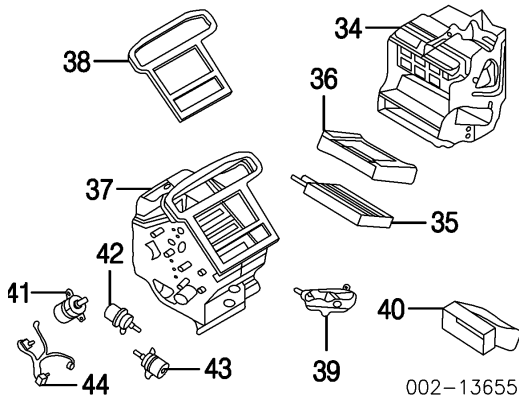
2001 Ford Escape XLT Utility



002-13654

18 Evaporator	#1.3	YL8Z 19B555 DA	\$451.85
#w/Instrument Panel Removed			
19 Bracket, Mounting		YL8Z 19A579 CA	\$7.38
20 Seal, Side Housing		YL8Z 19C594 AA	\$23.25
21 Seal, Inlet		YL8Z 18594 AA	\$25.42
22 Retainer, Upper		5L8Z 18797 A	\$34.97
23 Filter, Pollen	.5	YL8Z 19N619 AB	\$33.98
24 Reservoir, Vacuum			
2.3L Eng	.5	5L8Z 19A566 AA	\$36.00
3.0L Eng	.5	5L8Z 19A566 BA	\$31.55
25 Motor, Inlet Door	.8	F42Z 18A318 AA	\$10.77
26 Hose, Vacuum		YL8Z 19C827 AA	\$20.98
27 Resistor	.5	4L3Z 19A706 AA	\$24.47
28 Cover, Blower Motor		5L8Z 18515 AA	\$13.23
29 Seal, Lwr Blower Motor		YL8Z 18N259 AA	\$20.70
30 Motor Assy, Blower	.6	5L8Z 19805 AA	\$93.20
31 Retainer (d)		FOZZ 18A287 A	\$6.18
32 Seal, UpR Blower Motor (d)		2L8Z 18N260 AA	\$11.60
(d) Included w/Blower Motor Assy			
33 Fan, Blower Motor	.8	YL7Z 18504 AA	\$29.57

2001 Ford Escape XLT Utility



34 Case, Heater	#1.6	5L8Z 18478 A	\$165.00
35 Core, Heater	#1.7	YL8Z 18476 AA	\$105.00

#w/Instrument Panel Removed, Includes R&R Evaporator Assy

36 Seal, Heater Core		92OZ 18658 CA	\$28.98
37 Box, Air Plenum	#1.6	6L8Z 18471 AA	\$107.50

#w/Instrument Panel Removed

38 Seal, Upper		YL8Z 18K412 AA	\$14.10
39 Cover, Heater Case		5L8Z 18B299 A	\$7.48
40 Duct, Air		3L8Z 18633 AA	\$8.55
41 Motor, Upr Vacuum	#.9	YL8Z 18A318 AA	\$22.46
42 Motor, Ctr Vacuum	#.9	YL8Z 18A318 BA	\$22.44
43 Motor, Lwr Vacuum	#.9	F42Z 18A318 AA	\$10.77

#Each Additional Add .4

44 Harness, Wiring (e)		3L8Z 18C581 AA	\$17.22
------------------------	--	----------------	---------

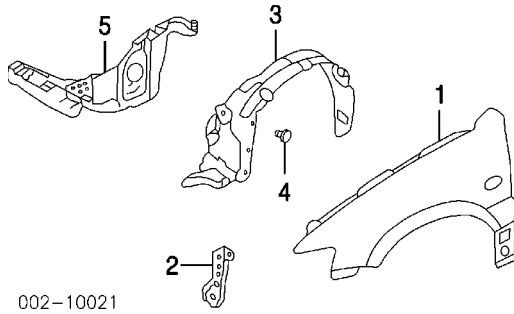
(e) Order by Application

2001 Ford Escape XLT Utility

**FRONT FENDER**

Procedures 7 and 28

SHEET METAL



002-10021

Refinish Fender Outside

R 2.0

L 2.0

Add to Edge

R .5

L .5

R&I Fender Assy

R #1.5

L #1.5

#Includes R&I Front Bumper Cover & R&I/R&R Combination Lamp

1 Fender

w/Wheel Opening Mldgs

R #2.4 YL8Z 16005 DA \$195.02

L #2.4 YL8Z 16006 DA \$194.15

#Includes R&I Front Bumper Cover, R&I/R&R Combination Lamp, Wheel Opening Moulding & Lower Fender Moulding

w/o Wheel Opening Mldgs

R #2.1 YL8Z 16005 BA \$195.02

L #2.1 YL8Z 16006 BA \$194.15

#Includes R&I Front Bumper Cover & R&I/R&R Combination Lamp

2 Brace, Front Fender-See Front Inner Structure Section

3 Liner, Fender

01-0 R #.5 YL8Z 16102 BA \$42.07

L #.5 YL8Z 16103 BA \$53.45

05-0 R #.5 5L8Z 16102 AA \$61.13

L #.5 5L8Z 16103 AA \$61.00

#Included in R&I/R&R Fender

4 Clip, Liner

R \* W706713 S300 \$2.00

L \* W706713 S300 \$2.00

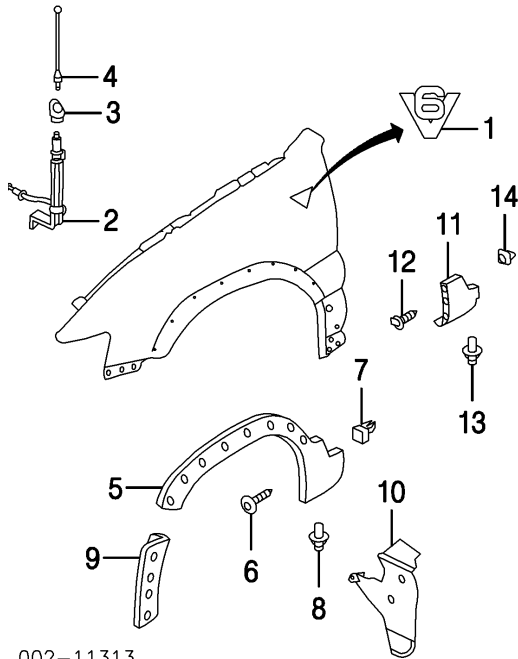
As Required



2001 Ford Escape XLT Utility

5 Shield, Lwr Splash-See Front Inner Structure Section

EXTERIOR TRIM



Refinish Upper Wheel Opening Moulding	R	.5		
	L	.5		
Refinish Lower Fender Moulding	R	.4		
	L	.4		
R&I Mudguard	R	.2		
	L	.2		
R&R Mudguard	R	.2		
	L	.2		
1 Nameplate (Adhesive) "V6"	01-0 R	.2	YL8Z 7842528 AA	\$14.90
	L	.2	YL8Z 7842528 AA	\$14.90
2 Base, Antenna	R #.9		5L8Z 18A984 B	\$22.61
#Includes R&I/R&R Antenna Mast, Right Cowl Trim Panel & Right Fender Liner, w/Right Fender Removed Deduct .5				
3 Cap, Antenna	R		YL8Z 18922 AA	\$5.97
4 Mast, Antenna	R	.1	AC3Z 18813 A	\$26.13
5 Mldg, Upr Wheel Opng				
2001-06				

2001 Ford Escape XLT Utility

XLT Model			
w/Appearance Pkg	02-0 R	.3 3L8Z 16038 AAPT	\$164.63
	L	.3 3L8Z 16039 AAPT	\$164.63
w/o Appearance Pkg			
Platinum	R	.3 YL8Z 16038 BAB	\$82.08
	L	.3 YL8Z 16039 BAB	\$80.75
Titanium	01-0 R	.3 YL8Z 16038 BAA	\$85.95
	L	.3 YL8Z 16039 BAA	\$85.00
Limited Model			
Satin Silver, (Code TL)	03-0 R	.3 N.A.	
	L	.3 3L8Z 16039 AAPT	\$164.63
True Blue, (Code L2)	03-0 R	.3 N.A.	
	L	.3 3L8Z 16039 AAPT	\$164.63
Paint to Match	R	.3 3L8Z 16038 AAPT	\$164.63
	L	.3 3L8Z 16039 AAPT	\$164.63
2007			
Smooth Finish (P)	R	.3 3L8Z 16038 AAPT	\$164.63
	L	.3 3L8Z 16039 AAPT	\$164.63
Textured Finish	R	.3 YL8Z 16038 BAB	\$82.08
	L	.3 YL8Z 16039 BAB	\$80.75
(P) Paint to Match			
6 Screw¶	R	* W706805 S901	\$1.63
	L	* W706805 S901	\$1.63
7 Nut¶	R	* W705894 S300	\$0.77
	L	* W705894 S300	\$0.77
8 Clip, Mldg¶	R	* W705848 S300	\$2.20
	L	* W705848 S300	\$2.20
¶As Required			
9 Mldg, Lwr Wheel Opng-See Front Bumper Section			
10 Mudguard Set¶			
Dealer Installed			
Black		1L8Z 16A550 BA	\$45.36
¶Set of 2			
11 Moulding, Lwr Fender			
Platinum	R	.1 YL8Z 16A038 DAB	\$39.77
	L	.1 YL8Z 16A039 DAB	\$39.77
Titanium	R	.1 YL8Z 16A038 DAA	\$39.17
	L	.1 YL8Z 16A039 DAA	\$39.17
12 Screw (a)	R	* W706805 S901	\$1.63
	L	* W706805 S901	\$1.63
13 Clip, Moulding (a)¶	R	* W705848 S300	\$2.20
	L	* W705848 S300	\$2.20
¶Non-Reusable Part			
14 Nut (a)	R	* W707157 S300	\$2.00

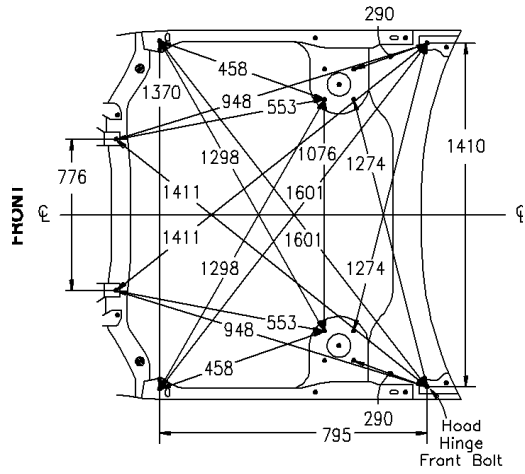
2001 Ford Escape XLT Utility

(a) As Required L \* W707157 S300 \$2.00

2001 Ford Escape XLT Utility

## UNDERHOOD DIMENSIONS

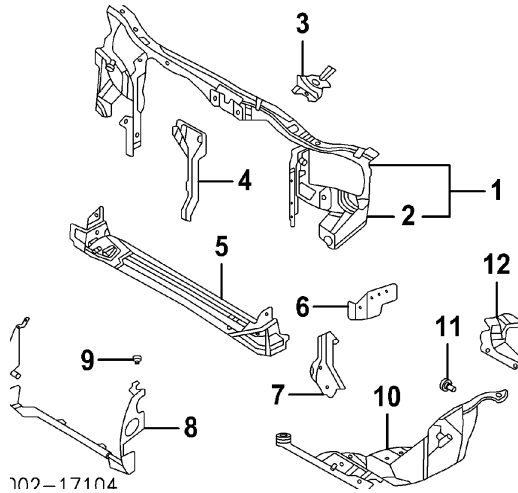
061-20055



## FRONT INNER STRUCTURE

Procedures 8 and 28

FRONT



Refinish Radiator Support Complete		1.5
Refinish Upper Radiator Support Assy		1.0
Refinish Upper Lamp Brkt	R	.5
	L	.5
Refinish Hood Latch Support		.5
Refinish Lower Radiator Support		.5
R&R Radiator Support Complete		#8.7

#Includes R&I/R&R Radiator, Cooling Fan/Motor Assy, Horns, Hood Latch, Latch Support Bracket, Support Rod, Upper Radiator Support Assy, Lower Radiator Support, Brackets, Splash Shields, Disconnect & Connect Hood Release Cable & Wiring Harness as Necessary

Add to R&R Radiator Support Complete

To R&I/R&R Base Model Mechanical Components #.6

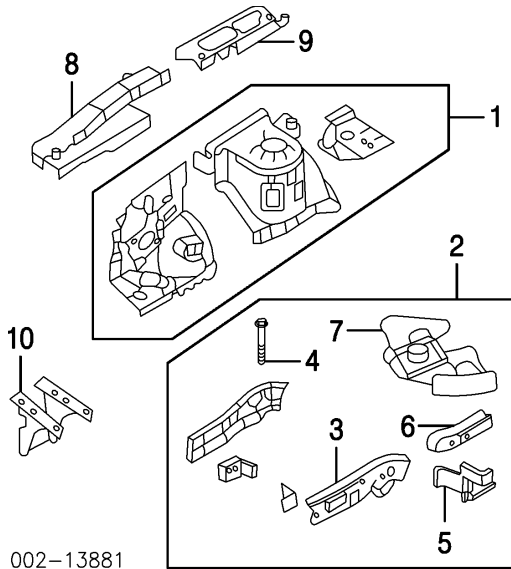
#Includes R&I/R&R A/C Condenser, Power Steering Cooler

2001 Ford Escape XLT Utility

Add to R&R Radiator Support Complete w/Auto Trans			.3	
To Aim Lamps			.4	
Evacuate & Recharge System			1.4	
Recover Refrigerant			.3	
1 Support Assy, Upper Radiator (P)			3.0	5L8Z 16138 BA \$338.07
(P) Paint to Match				
2 Brkt, Upper Lamp (a)	01-0 R		.5	YL8Z 13A114 BA \$21.23
	L		.5	YL8Z 13A114 BB \$20.08
	05-0 R		.5	5L8Z 13A114 BA \$15.28
	L		.5	5L8Z 13A114 AA \$15.28
(a) Included w/Upper Radiator Support Assy				
3 Brkt, Upper Rad	01-0 R			YL8Z 8A193 BA \$14.30
	L			YL8Z 8A193 AA \$13.68
	05-0 R			5L8Z 8B068 AA \$12.13
	L			5L8Z 8B068 BA \$12.03
	07 R			N.A.
	L			N.A.
4 Brace, Latch Support	01-0	#.5		YL8Z 16C750 AA \$46.07
	05-0	#.5		5L8Z 16C750 AA \$54.58
#w/Bumper Removed, Includes R&R Latch				
5 Support, Lwr Radiator			2.5	7L8Z 16138 A \$179.52
6 Brkt, Lower Lamp-See Front Lamps Section				
7 Brace, Front Fender	01-0 R			5T2Z 16A023 AA \$29.00
	L			5T2Z 16A024 AA \$29.33
	05-0 R			6L8Z 16A023 A \$39.42
	L			6L8Z 16A024 A \$39.42
8 Deflector, Front Air	05-0	.3		5L8Z 8C299 AA \$61.83
9 Clip, Deflector¶	05-07			* W701259 S300 \$1.75
¶As Required				
10 Shield, Lwr Splash	R		.3	YL8Z 16102 AA \$51.30
	L		.3	YL8Z 16103 AA \$47.58
11 Clip, Shield¶	R			* W706713 S300 \$2.00
	L			* W706713 S300 \$2.00
¶As Required				
12 Shield, Upper Splash	01-0 R			YL8Z 16103 CA \$30.73

SIDE

2001 Ford Escape XLT Utility



002-13881

Refinish Apron Assy	R	2.0			
	L	2.0			
Refinish Lower Apron Assy	R	1.0			
	L	1.0			
Refinish Sidemember Rail	R	.5			
	L	.5			
Refinish Front Apron Reinforcement	R	.5			
	L	.5			
Refinish Rear Apron Reinforcement	R	.5			
	L	.5			
1 Apron, Front	R	#6.0	4L8Z 16054 AA	\$416.25	
	L	#6.0	4L8Z 16055 AA	\$416.25	
#w/Upper Radiator Support Removed, Deduct 1.0					
2 Apron Assy, Lower	01-0 R	#8.5	4L8Z 7810008 AA	\$912.92	
	L	#8.5	4L8Z 7810009 AA	\$857.67	
	05-0 R	#8.5	5L8Z 7810008 AA	\$886.15	
	L	#8.5	5L8Z 7810009 AA	\$862.07	
	07 R	#8.5	8L8Z 7810008 A	\$596.68	
	L	#8.5	8L8Z 7810009 A	\$691.67	
#w/Front Apron Removed Deduct 2.5					
3 Rail, Sidemember (a)	R	2.0	8L8Z 5D804 A	\$104.10	
	L	2.0	8L8Z 5D805 A	\$77.37	

2001 Ford Escape XLT Utility

4 Bolt (a)	01-0 R	YL8Z 3057 AA	\$28.38
	L	YL8Z 3057 AA	\$28.38
5 Reinf, Side (a)	05-0 R	5L8Z 3057 AA	\$26.80
	L	5L8Z 3057 AA	\$26.80
6 Reinf, Rail (a)	R	2.5 YL8Z 5B061 AA	\$109.87
	L	2.5 YL8Z 5B062 AA	\$91.55
7 Plate, Stab Mounting (a)	R	2.5 YL8Z 5B076 AA	\$44.52
	L	2.5 YL8Z 5B077 AA	\$44.52
7 Plate, Stab Mounting (a)	01-0 R	3.5 6L8Z 3K079 B	
	L	3.5 6L8Z 3K079 A	
	07 R	3.5 9L8Z 3K079 B	\$54.98
	L	3.5 9L8Z 3K079 A	\$67.82

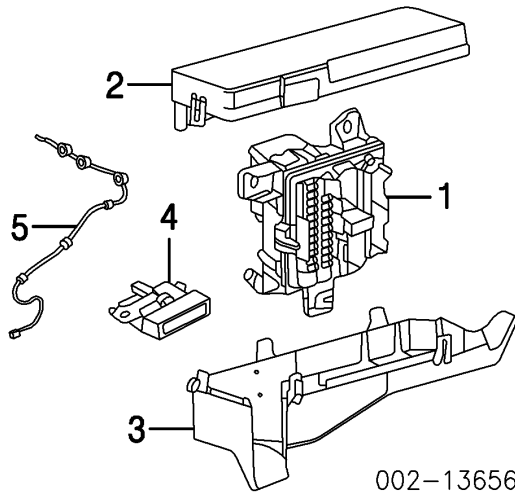
(a) Included w/Lower Apron Assy

8 Reinf, Front Apron	R #2.0	YL8Z 16C274 AA	\$47.00
	L #2.0	YL8Z 16C275 AA	\$47.00
9 Reinf, Rear Apron	R #2.0	YL8Z 16154 AA	\$32.33
	L #2.0	YL8Z 16155 AA	\$32.33

#R&R One Side Complete 3.0

10 Supt, Lwr Battery Tray	L	.5 YL8Z 10A666 AA	\$29.98
	Supt, Lwr Battery Tray	L	.5 9L8Z 10A666 A

**ELECTRICAL COMPONENTS**



1 Box, Fuse			
2001-04		2L8Z 14A068 AA	\$169.27
2005-06		5L8Z 14A068 AA	
2007†		6L8Z 15604 BB	\$237.89
†Order by Application			
2 Cover, Upper Fuse Box	01-0	.1 2L8Z 14A003 BA	\$58.70
	05-0	.1 5L8Z 14A003 AA	\$39.08



2001 Ford Escape XLT Utility

3 Cover, Lower Fuse Box	2001	YL8Z 14A003 AA	\$16.78
	2002		
To 12-10-01		YL8Z 14A003 AA	\$16.78
From 12-11-01		3L8Z 14A003 AA	\$18.00
2003-05		3L8Z 14A003 AA	\$18.00
2006-07-Service w/Main Harness			
4 Connector, Fuse	01-04	YL8Z 13A018 AA	\$22.98
5 Harness, Main¶			
2001-02			
Man Trans		2L8Z 14401 CA	\$279.37
Auto Trans		2L8Z 14401 FA	\$442.18
	2003		
w/Park Distance Sensors		3L8Z 14401 YA	\$454.97
w/o Park Distance Sensors		3L8Z 14401 FA	\$275.98
	2004		
w/Park Distance Sensors		3L8Z 14401 YA	\$454.97
w/o Park Distance Sensors		3L8Z 14401 FB	\$400.68
2005-06			
w/Park Distance Sensors		5L8Z 14401 CA	\$313.82
w/o Park Distance Sensors		5L8Z 14401 CD	\$279.82
	2007		
4 Speaker System		7L8Z 14401 AA	\$163.57
7 Speaker System		7L8Z 14401 GA	\$192.90
¶Order by Application			

## AIR BAG SYSTEM

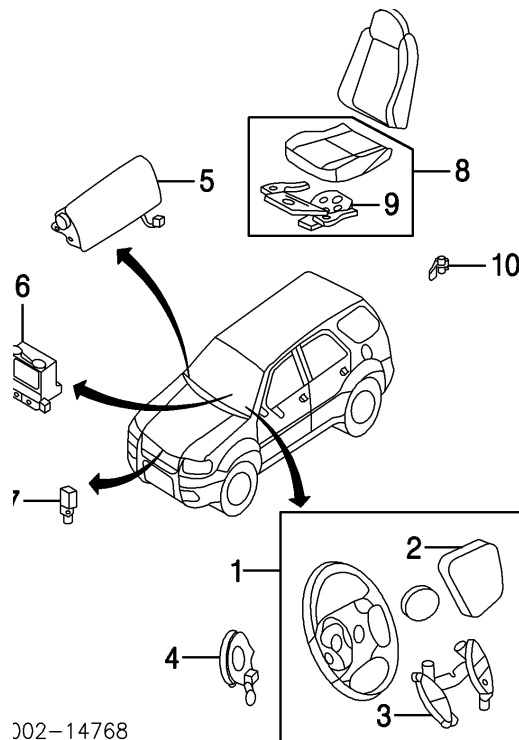
### Procedure 30

NOTE 1: R&R Does Not include disable and enable or diagnose Air Bag System.

NOTE 2: Refer to Procedural Explanation 30 for Supplemental Restraint/Air Bag System Component Inspection and Replacement Information.

NOTE 3: For Air Bag System Service procedures, refer to Manufacturer's Service Repair Manual or Mitchell's Air Bag Service and Repair Manual.

### FRONT



002-14768

Disable & Enable Air Bag System	.5
Add to Disable & Enable Air Bag System	
w/Side Air Bags	.2
Diagnose Air Bag System (If Required)	1.0
Add to Diagnose Air Bag System	
w/Side Air Bags	.6

2001 Ford Escape XLT Utility

Add to Initialize Occupant Detection ECU

.3

1 Wheel Assy, Steering

2001-04

2.0L Eng

Leather

.5 YL8Z 78043B13 KAA \$820.27

Vinyl

w/Cruise Control

.5 YL8Z 78043B13 HAA \$683.56

w/o Cruise Control

.5 YL8Z 78043B13 GAA \$683.56

3.0L Eng

Leather

.5 7L8Z 78043B13 UA \$820.27

Vinyl

w/Cruise Control

.5 YL8Z 78043B13 TAA \$729.24

w/o Cruise Control

.5 YL8Z 78043B13 SAA \$683.56

2005-06

2.3L Eng

Leather

Black

.5 7L8Z 78043B13 KA \$728.51

Flint

.5 7L8Z 78043B13 KB \$728.51

Pebble

.5 7L8Z 78043B13 KC \$728.51

Vinyl

w/Cruise Control

.5 7L8Z 78043B13 HA \$690.39

w/o Cruise Control

.5 7L8Z 78043B13 MA \$683.56

3.0L Eng

Leather

Black

.5 7L8Z 78043B13 PA \$762.57

Flint

.5 7L8Z 78043B13 PB \$762.57

Pebble

.5 7L8Z 78043B13 PC \$762.57

Vinyl

w/Cruise Control

Black

.5 7L8Z 78043B13 NA \$683.56

Flint

.5 7L8Z 78043B13 NB \$697.23

Pebble

.5 7L8Z 78043B13 NC \$683.56

w/o Cruise Control

.5 7L8Z 78043B13 MA \$683.56

2007

2.3L Eng

Leather

Black, Flint

.5 7L8Z 78043B13 KA \$728.51

Pebble

.5 N.A.

Vinyl

w/Cruise Control

.5 7L8Z 78043B13 HA \$690.39

w/o Cruise Control

.5 7L8Z 78043B13 GAC

3.0L Eng

Leather

Black

.5 7L8Z 78043B13 PA \$762.57

2001 Ford Escape XLT Utility

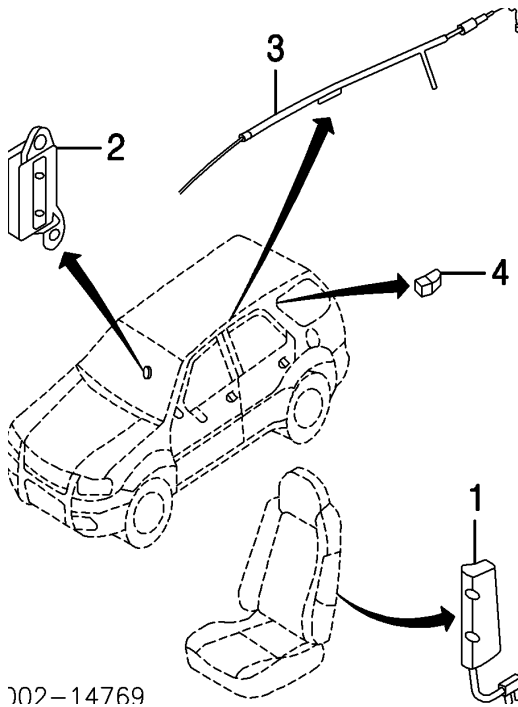
Flint		.5	7L8Z 78043B13 PB	\$762.57
Pebble		.5	7L8Z 78043B13 PC	\$762.57
Vinyl				
w/Cruise Control				
Black		.5	7L8Z 78043B13 NA	\$683.56
Flint		.5	7L8Z 78043B13 NB	\$697.23
Pebble		.5	7L8Z 78043B13 NC	\$683.56
w/o Cruise Control		.5	7L8Z 78043B13 MA	\$683.56
2 Module, Driver Air Bag-Serviced w/Steering Wheel Assy¶				
3 Switch, Cruise Control¶	01-0	.3	YL8Z 9C888 BB	\$166.13
	05-0	.3	5L8Z 9C888 AA	\$90.78
¶Included w/Steering Wheel Assy				
4 Clockspring	01-0	1.1	YL8Z 14A664 AA	\$62.09
	05-0	1.1	5L8Z 14A664 AB	\$85.66
5 Module, Pass Air Bag				
Ebony	01-0	.9	5L8Z 78044A74 DA	\$697.23
	05-0	.9	6L8Z 78044A74 AAC	\$697.23
Flint				
	2003			
To 12-2-02		.9	5L8Z 78044A74 DB	\$697.23
From 12-3-02		.9	5L8Z 78044A74 DC	\$697.23
	2004			
		.9	5L8Z 78044A74 DC	\$697.23
2005-06		.9	5L8Z 78044A74 AAA	\$697.23
	2007	.9	6L8Z 78044A74 AAA	\$697.23
Graphite	01-0	.9	YL8Z 78044A74 DAB	\$697.23
Parchment	01-0	.9	YL8Z 78044A74 DAA	\$697.23
Pebble	03-0	.9	5L8Z 78044A74 DD	\$697.23
	05-0	.9	6L8Z 78044A74 AAB	\$697.23
6 Module, Restraint Control				
2001-04				
w/Side Air Bags		.5	YL8Z 14B321 CA	\$185.36
w/o Side Air Bags		.5	YL8Z 14B321 DA	\$185.36
2005				
w/Side Curtain Air Bags				
To 8-2-04		.5	5L8Z 14B321 AC	\$375.10
From 8-3-04		.5	6L8Z 14B321 CA	\$288.56
w/o Side Curtain Air Bags				
To 12-13-04		.5	5L8Z 14B321 BB	\$203.67
From 12-14-04		.5	5L8Z 14B321 DB	\$215.60
2006-07				
w/Side Curtain Air Bags		.5	6L8Z 14B321 CA	\$288.56

2001 Ford Escape XLT Utility

w/o Side Curtain Air Bags	06	.5	5L8Z 14B321 DB	\$215.60
	07	.5	6L8Z 14B321 DB	\$198.73
7 Sensor, Frit Impact	05-0	.4	6L1Z 14B004 AA	\$57.03
	07	.4	6L1Z 14B004 AA	\$57.03
8 Pad, Seat Cushion Passenger Side				
	2001	#.6	YL8Z 78632A22 BA	\$119.48
	2002			
To 11-4-01		#.6	YL8Z 78632A22 BA	\$119.48
From 11-5-01		#.6	2L8Z 78632A22 BA	\$175.10
2003-04				
Heated Seat		#.6	3L8Z 78632A22 AA	\$163.63
Non-Heated Seat		#.6	2L8Z 78632A22 BA	\$175.10
2005-07				
Heated Seat		#.6	5L8Z 78632A22 BC	\$1,282.90
Non-Heated Seat		#.6	5L8Z 78632A22 AC	\$1,155.37
9 Sensor, Occupant Detector-Serviced w/Seat Cushion Pad				
#w/Front Seat Assy Removed, Included in R&R Seat Frame				
10 Sensor, Seat Position				
Driver Side				
2001-04		#.3	6F1Z 14B416 A	\$35.81
2005-06		#.3	6F1Z 14B416 A	\$35.81
	2007			
w/Side Curtain Air Bags		#.3	6F1Z 14B416 A	\$35.81
w/o Side Curtain Air Bags		#.3	6F9Z 14B416 A	\$34.37
#w/Front Seat Assy Removed				
Pretensioner, Seat Belt (a)-See Seat Belts Section				
(a) Serviced w/Seat Belt Buckle				

SIDE

2001 Ford Escape XLT Utility



102-14769

Disable & Enable Air Bag System .5

Add to Disable & Enable Air Bag System

w/Side Air Bags .2

Diagnose Air Bag System (If Required) 1.0

Add to Diagnose Air Bag System

w/Side Air Bags .6

1 Module, Side Air Bag

Driver Side

01-0 #.3 2L8Z 78611D11 AA \$217.44

05-0 #.3 6L8Z 78611D11 A \$216.90

07 #.3 6L8Z 78611D11 A \$216.90

Passenger Side

01-0 #.3 2L8Z 78611D10 AA \$217.44

05-0 #.3 6L8Z 78611D10 A \$216.90

#w/Front Seat Back Cover Removed

2 Sensor, Side Air Bag (Crash)

2001-04

Driver Side

#.6 YL8Z 14B345 BA \$78.47

Passenger Side

#.6 YL8Z 14B345 BA \$78.47

2005-07, (2/Side)

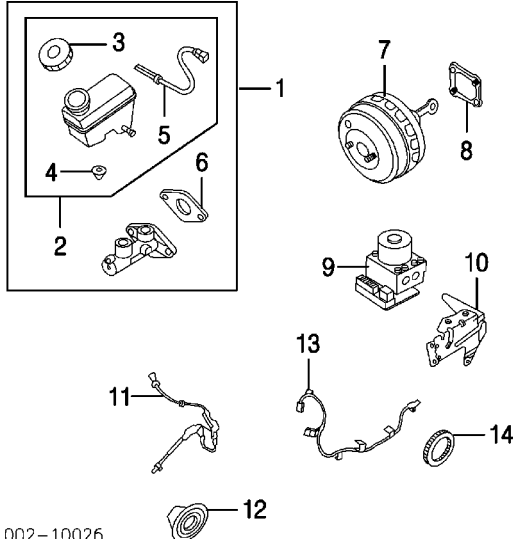
2001 Ford Escape XLT Utility

Driver Side	#.6	6R3Z 14B345 BB	\$58.10
Passenger Side	#.6	6R3Z 14B345 BB	\$58.10
#w/Center Pillar Trim Lower Panel Removed			
3 Module, Side Curtain Air Bag			
w/Sunroof	05-0 R	#.8 5L8Z 78042D94 AA	\$511.96
	L	#.8 5L8Z 78042D95 AA	\$512.01
	07 R	#.8 9L8Z 78042D94 A	\$697.23
	L	#.8 6L8Z 78042D95 A	\$434.53
w/o Sunroof	05-0 R	#.8 5L8Z 78042D94 BA	\$529.97
	L	#.8 5L8Z 78042D95 BA	\$521.43
	07 R	#.8 9L8Z 78042D94 B	\$434.53
	L	#.8 9L8Z 78042D95 B	\$434.53
#w/Headliner Removed			
4 Resistor, Air Bag			
w/o Side Curtain Air Bags	L	.6 3L2Z 14B022 AA	\$5.34
	07	.6 N.A.	

2001 Ford Escape XLT Utility

ABS/BRAKES

2001-06



002-10026

Bleed System  
w/ABS  
w/o ABS

.6  
.3

NOTE: R&R Does Not include bleed brake system.

1 Cylinder Assy, Brake Master

2001-04

Man Trans	.7	2L8Z 2140 BA	\$226.51
Auto Trans	.7	2L8Z 2140 AA	\$161.58

2005-06

Rear Disc Brakes			
Man Trans	.7	6L8Z 2140 B	\$213.07
Auto Trans	.7	6L8Z 2140 A	\$203.49
Rear Drum Brakes			
Man Trans	.7	6L8Z 2140 D	\$198.58
Auto Trans	.7	6L8Z 2140 C	\$211.09

2 Reservoir Assy, Fluid (a)¶

2001-04

Man Trans	.5	3L8Z 2K478 BA	\$45.33
Auto Trans	.5	3L8Z 2K478 AA	\$49.33

2005-06

.5	3L8Z 2K478 AA	\$49.33
----	---------------	---------

3 Cap, Reservoir (a)¶

2001-02

3L8Z 2162 AA	\$21.33
--------------	---------

2003

To 5-5-03	3L8Z 2162 AA	\$21.33
-----------	--------------	---------



2001 Ford Escape XLT Utility

From 5-6-03			3L8Z 2162 AA	\$21.33
2004-06			3L8Z 2162 AA	\$21.33
4 Seal, Reservoir (2) (a)¶			YL8Z 2B343 AA	\$9.31
5 Sensor, Fluid (a)¶			YL8Z 2C050 AA	\$20.98
(a) Included w/Fluid Reservoir Assy				
6 Gskt, Master Cylinder¶	01-0		YL8Z 2152 AA	\$4.72
	05-06		2L1Z 2152 AA	\$5.14
¶Included w/Brake Master Cylinder Assy				
7 Booster, Brake				
2001-04		#1.1	YL8Z 2005 AA	\$210.07
2005-06				
Rear Disc Brakes		#1.1	5L8Z 2002 AA	\$223.00
Rear Drum Brakes		#1.1	5L8Z 2002 BA	\$223.00
#Includes R&R Brake Master Cylinder Assy				
8 Insulator, Brake Booster			YL8Z 2B485 AA	\$9.98
9 Actuator/Module, ABS	01-0	1.4	YL8Z 2C286 DA	\$510.11
	05-0	1.4	6L8Z 2C286 A	\$459.38
Control, ABS				
2001-04		1.4	N.A.	
2005-06				
2WD		1.4	5L8Z 2B373 AC	\$358.09
4WD		1.4	5L8Z 2B373 BC	\$384.58
10 Brkt, Actuator/Module	01-0	#.2	YL8Z 2C304 AA	\$36.32
	05-0	#.2	5L8Z 2C304 AA	\$40.00
#w/Actuator Module Removed				
11 Sensor, Front ABS	R	#.5	YL8Z 2C204 AB	\$70.94
	L	#.5	YL8Z 2C205 AB	\$79.78
#R&R Both .8				
12 Indicator, Front Sensor				
2WD	R		7L8Z 2C182 A	\$45.00
	L		7L8Z 2C182 A	\$45.00
4WD (b)-See Front Drive Axle Section				
(b) Serviced w/Axle Shaft Assy				
13 Sensor, Rear ABS				
2001-04 (c)	R	#.5	YL8Z 2C190 AC	\$62.06
	L	#.5	YL8Z 2C216 AC	\$65.42
2005-06	R	#.5	8L8Z 2C190 A	\$53.66
	L	#.5	8L8Z 2C191 A	\$68.78

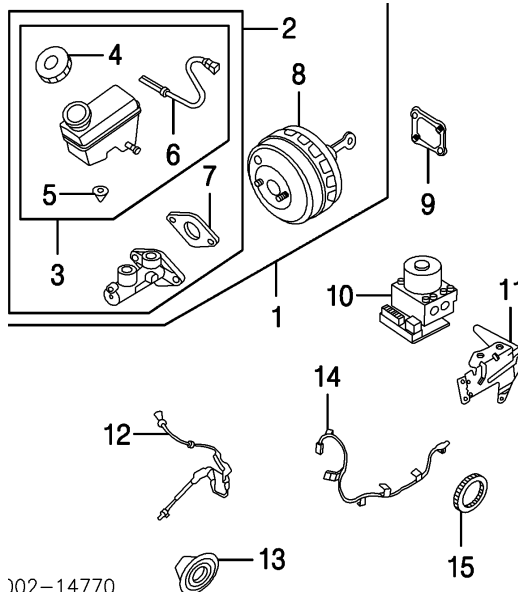
2001 Ford Escape XLT Utility

(c) Order by Application  
 #R&R Both .8

14 Indicator, Rear Sensor (d)-See Rear Drive Axle Section

(d) Serviced w/Axle Shaft Assy

2007



102-14770

1	Cylinder/Booster Assy, Brake Master	1.3	5M6Z 2140 B	\$1,050.47
2	Cylinder Assy, Brake Master			
	Rear Disc Brakes			
	Man Trans	.7	6L8Z 2140 B	\$213.07
	Auto Trans	.7	6L8Z 2140 A	\$203.49
	Rear Drum Brakes			
	Man Trans	.7	6L8Z 2140 D	\$198.58
	Auto Trans	.7	6L8Z 2140 C	\$211.09
3	Reservoir Assy, Fluid (a)			
	Man Trans	.3	5L8Z 2L454 BA	\$74.16
	Auto Trans	.3	5L8Z 2L454 AA	\$73.31
4	Cap, Reservoir (a) (b)		3L8Z 2162 AA	\$21.33
5	Seal, Reservoir (2) (a) (b)		YL8Z 2B343 AA	\$9.31
6	Sensor, Fluid (a) (b)		YL8Z 2C050 AA	\$20.98
	(b) Included w/Fluid Reservoir Assy			
7	Gskt, Master Cylinder (a)		2L1Z 2152 AA	\$5.14

2001 Ford Escape XLT Utility

(a) Included w/Brake Master Cylinder Assy

8	Booster, Brake¶			
	Rear Disc Brakes	1.1	6L8Z 2002 A	\$271.04
	Rear Drum Brakes	1.1	6L8Z 2002 B	\$247.98

¶Included w/Brake Master Cylinder/Booster Assy

9	Insulator, Brake Booster		YL8Z 2B485 AA	\$9.98
10	Actuator/Module, ABS	1.4	7M6Z 2C286 B	\$4,299.20
11	Brkt, Actuator/Module	#.2	5M6Z 2C304 AA	\$37.08

#w/Actuator Module Removed

12	Sensor, Front ABS	R	#.5	YL8Z 2C204 AB	\$70.94
		L	#.5	YL8Z 2C205 AB	\$79.78

#R&R Both .8

13	Indicator, Front Sensor				
	2WD	R		N.A.	
		L		N.A.	

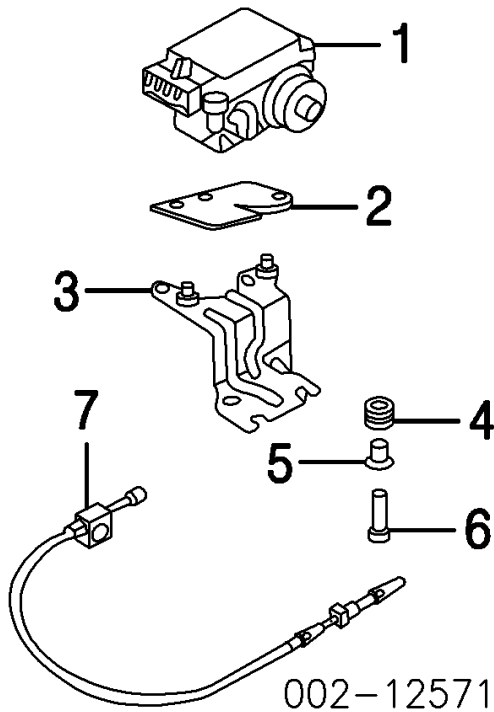
4WD (c)-See Front Drive Axle Section

(c) Serviced w/Axle Shaft Assy

14	Sensor, Rear ABS	R	#.5	8L8Z 2C190 A	\$53.66
		L	#.5	8L8Z 2C191 A	\$68.78
	#R&R Both .8				
15	Indicator, Rear Sensor	R		7L8Z 2C182 A	\$45.00
		L		7L8Z 2C182 A	\$45.00

2001 Ford Escape XLT Utility

## CRUISE CONTROL SYSTEM

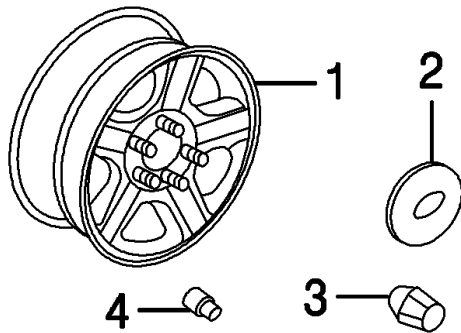


1 Servo, Cruise Control			
2.0L Eng	01-0	.5 YL8Z 9C735 FA	\$442.00
2.3L Eng	05-0	.5 6L8Z 9C735 AA	\$442.00
3.0L Eng	01-0	.5 YL8Z 9C735 EA	\$442.00
	05-0	.5 6L8Z 9C735 BA	\$442.00
2 Insulator		F3LY 9F770 A	\$45.22
3 Bracket, Servo		YL8Z 9C736 CA	\$15.20
4 Bushing, Mounting¶		N.A.	
5 Sleeve, Bushing¶		F3LY 9F769 A	\$15.87
6 Screw, Mounting¶		* W701928 S424	\$4.50
¶As Required			
7 Actuator/Cable, Cruise			
2.0L Eng	01-0	.7 YL8Z 9A825 BA	\$26.18
2.3L Eng	05-0	.7 5L8Z 9A825 AA	\$27.28
3.0L Eng	01-0	.7 YL8Z 9A825 AA	\$28.73
	05-0	.7 5L8Z 9A825 BA	\$30.13

## WHEEL

### Procedure 10

### STEEL WHEEL



002-10027

Refinish Wheel

.5

Add to R&I Spare Wheel & Tire Assy

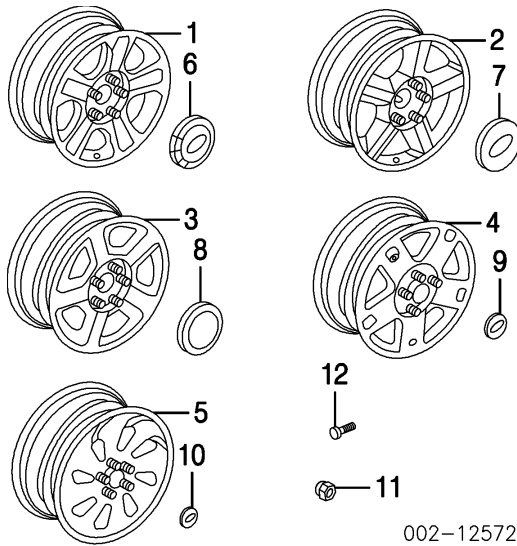
.2

1 Wheel, Steel	.3	6L8Z 1015 C	\$111.12
2 Cap, Wheel		YL8Z 1130 AB	\$77.83
3 Nut, Lug			
Locking			
Chromed		F85Z 1A043 AA	\$43.37
Non-Chromed		1L8Z 1A043 AA	\$45.00
Non-Locking			
Chromed		6L8Z 1012 AA	\$5.37
Non-Chromed		8L8Z 1012 B	\$5.07
4 Stem, Valve		F42Z 1700 A	\$2.62

### ALLOY WHEEL

2001-06

2001 Ford Escape XLT Utility



002-12572

Add to R&I Spare Wheel & Tire Assy

.2

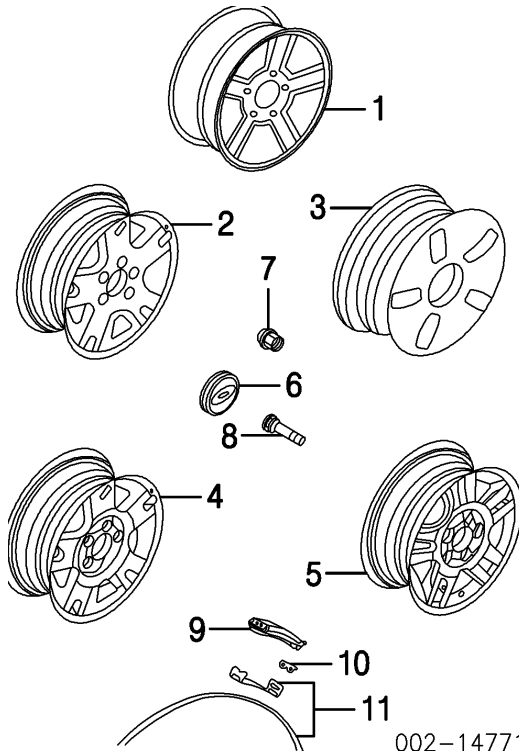
Wheel, Alloy

1	Type 1			
	15x6-1/2"	05	.3 5L8Z 1007 EB	\$287.08
	16x7"		.3 YL8Z 1007 DA	\$349.70
2	Type 2, (15x6-1/2")		.3 2L8Z 1007 AB	\$276.52
3	Type 3, (15x6-1/2")		.3 1L8Z 1007 AA	\$140.84
4	Type 4, (16x7")			
	2001-04			
	Machined			
	Gray Pockets		.3 2L8Z 1007 GA	\$172.77
	Platinum Pockets		.3 2L8Z 1007 HA	\$228.34
	Sparkle Silver		.3 YL8Z 1007 FA	\$335.02
	2005-06		.3 5L8Z 1007 DB	\$344.45
5	Type 5, (16x7")		.3 3L8Z 1007 AA	\$333.81
	Cap, Center			
6	Type 1			
	15" Wheels		YL8Z 1130 AB	\$77.83
	16" Wheels		YL8Z 1130 EB	\$48.28
7	Type 2		YL8Z 1130 DB	\$116.48
8	Type 3		1L8Z 1130 AA	\$21.43
9	Type 4		6L8Z 1130 F	\$39.15
10	Type 5		2L2Z 1130 AB	\$21.43
11	Nut, Lug			
	Locking			
	Chromed		F85Z 1A043 AA	\$43.37
	Non-Chromed		1L8Z 1A043 AA	\$45.00
	Non-Locking			

2001 Ford Escape XLT Utility

Chromed	6L8Z 1012 AA	\$5.37
Non-Chromed	8L8Z 1012 B	\$5.07
12 Stem, Valve	F42Z 1700 A	\$2.62
<b>ALLOY WHEEL</b>		

2007



Add to R&I Spare Wheel & Tire Assy .2

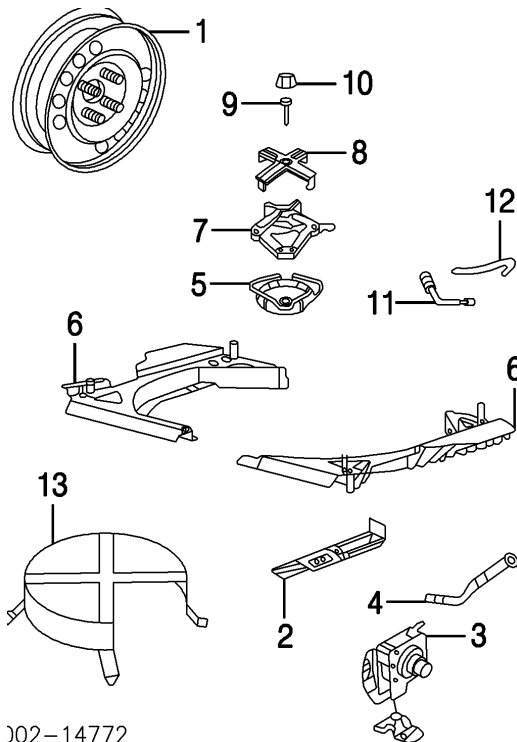
NOTE: Wheel Replacement Requires Replacement of Sensor Installation Kit.

Wheel, Alloy		
1	15x6-1/2" 16x7"	.3 6L8Z 1007 EA \$331.52
2	Type 1	.3 6L8Z 1007 D \$350.35
3	Type 2	
	Cast Alloy	.3 6E6Z 1007 A \$451.08
	Machined	.3 6E6Z 1007 C \$374.88
4	Type 3	.3 6L8Z 1007 A \$378.48
5	Type 4	.3 6M6Z 1007 B \$351.38
6	Cap, Center	
	15" Wheels	6L8Z 1130 F \$39.15
	16" Wheels	
	Dark Argent	6L8Z 1130 F \$39.15
	Sparkle Gray	6L8Z 1130 B \$39.13

2001 Ford Escape XLT Utility

7 Nut, Lug	6L8Z 1012 AA	\$5.37
8 Stem, Valve	F42Z 1700 A	\$2.62
9 Sensor, Tire Pressure	6F2Z 1A189 A	\$108.92
10 Clip, Sensor	6L2Z 14C202 B	\$3.08
¶As Required		
11 Installation Kit, Sensor (a)		
15" Wheels	6F2Z 1A193 B	\$55.26
16" Wheels	6F2Z 1A193 C	\$55.24
(a) Non-Reusable Part		

SPARE WHEEL & HARDWARE



102-14772

1 Wheel, Spare		
2001-06		
Compact, (17x4")	YL8Z 1015 AA	\$103.03
Full Size, (15x6-1/2")	6L8Z 1015 C	\$111.12
	2007	
Compact		
Alloy	3W3Z 1007 DA	\$354.52
Steel	5L8Z 1015 A	\$122.60
Full Size	5T2Z 1015 EA	\$147.37
2 Anchor, Spare Wheel	YL8Z 1A376 AA	\$54.08
3 Carrier, Spare Wheel		
2001-06		

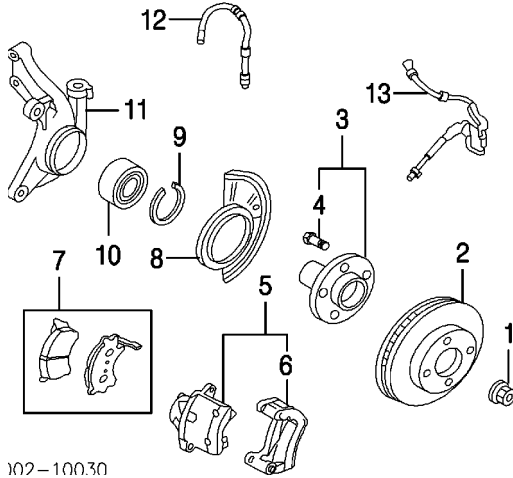


2001 Ford Escape XLT Utility

2WD			
Compact Spare¶¶		8L8Z 1A131 A	\$43.82
Full Size Spare		5L8Z 1A131 FA	\$25.78
4WD		8L8Z 1A131 A	\$43.82
	2007	8L8Z 1A131 A	\$43.82
¶¶Order by Application			
4 Shaft, Handle		5L8Z 1A433 BB	\$40.63
5 Insulator, Wheel		YL8Z 17A092 AA	\$11.90
6 Cover, Spare Wheel-See Rear Body Section			
7 Jack			
2001-04		9L8Z 17080 A	\$109.80
	2005		
To 11-1-04		9L8Z 17080 A	\$109.80
From 11-2-04		9L8Z 17080 A	\$109.80
2006-07		9L8Z 17080 A	\$109.80
8 Hold-Down, Wheel	01-0	YL8Z 17085 AA	\$72.83
	05-07	5L8Z 17085 AA	\$11.88
9 Retainer, Wheel			
Compact Spare		3L8Z 1A381 AA	\$20.43
Full Size Spare		YL8Z 1A381 BA	\$19.12
10 Cover, Retainer		YL8Z 18321 AA	\$7.63
Nut, Wing		* W706634 S301	\$5.00
11 Wrench, Lug			
2001-04		YL8Z 17032 AA	\$26.02
2005-06¶¶		8L8Z 17035 A	\$28.12
	2007	8L8Z 17035 A	\$28.12
¶¶Order by Application			
12 Handle, Jack	01-0	YL8Z 17081 AA	\$19.02
	05-07	6L8Z 17081 A	\$17.02
13 Hold-Down, Spare Wheel		YL8Z 7847076 AA	\$110.70

## FRONT SUSPENSION

### Procedure 11



102-10030

R&I Suspension (One Side)

R	2.0
L	2.0

O/H Suspension (Includes R&I)

One Side (Includes R&I)

R	3.4
L	3.4

Both Sides (Includes R&I)

6.2

Adjust Four Wheel Alignment

1.8

Adjust Front Alignment

1.3

Bleed Brake System

w/ABS

.6

w/o ABS

.3

NOTE 1: R&I/R&R or O/H Does Not include alignment or bleed brake system.

NOTE 2: All Parts in this section are included in overhaul unless noted otherwise.

1 Nut, Axle	01-0	R		* W705967 S439	\$10.75	
		L		* W705967 S439	\$10.75	
	05-0	R		N.A.		
		L		N.A.		
2 Rotor, Brake	2001-04	R	#.6	5L8Z 1125 BA	\$103.30	
		L	#.6	5L8Z 1125 BA	\$103.30	
	2005-07	Rear Disc Brakes	R	#.6	5L8Z 1125 AA	\$108.30
			L	#.6	5L8Z 1125 AA	\$108.30
		Rear Drum Brakes	R	#.6	5L8Z 1125 BA	\$103.30
			L	#.6	5L8Z 1125 BA	\$103.30

2001 Ford Escape XLT Utility

#R&R Both 1.0						
3	Hub Assy, Wheel	R	#1.6	8L8Z 1104 A	\$165.37	
		L	#1.6	8L8Z 1104 A	\$165.37	
#Includes R&R Rotor, R&R Both 3.0						
4	Stud, Wheel (5/Side)¶	R		6L8Z 1107 A	\$5.37	
		L		6L8Z 1107 A	\$5.37	
¶Included w/Wheel Hub Assy						
5	Caliper Assy, Brake					
	2001-04	R	#.5	6L8Z 2B120 BA	\$134.45	
		L	#.5	6L8Z 2B121 BA	\$134.22	
	2005-06					
	Rear Disc Brakes	R	#.5	7L8Z 2B120 B	\$125.57	
		L	#.5	7L8Z 2B121 B	\$125.57	
	Rear Drum Brakes	R	#.5	5L8Z 2B120 AD	\$25.25	
		L	#.5	5L8Z 2B121 AC	\$134.03	
		2007	R	#.5	7L8Z 2B120 B	\$125.57
			L	#.5	7L8Z 2B121 B	\$125.57
6	Brkt, Caliper					
	2001-04 (a)	R	#.5	YL8Z 2B292 AA	\$64.02	
		L	#.5	YL8Z 2B292 AA	\$64.02	
	2005-06	R	#.5	5L8Z 2B540 AA	\$56.18	
		L	#.5	5L8Z 2B540 AA	\$56.18	
		2007	R	#.5	YL8Z 2B292 AA	\$64.02
			L	#.5	YL8Z 2B292 AA	\$64.02
(a) Included w/Brake Caliper Assy						
#R&R One Side Complete, R&R Both Sides .8						
7	Pad Set, Brake					
	2001-03		#1.0	YL8Z 2001 BA	\$153.70	
		2004				
	To 9-22-03		#1.0	YL8Z 2001 BA	\$153.70	
	From 9-23-03		#1.0	4L8Z 2001 AA	\$106.98	
	2005-06					
	Rear Disc Brakes		#1.0	6L8Z 2001 A	\$83.30	
	Rear Drum Brakes		#1.0	4L8Z 2001 AA	\$106.98	
		2007	#1.0	6L8Z 2001 BA	\$132.63	
#Deduct .5 w/Each Brake Caliper Removed						
8	Shield, Splash	R	#1.6	YL8Z 2K004 AA	\$27.08	
		L	#1.6	YL8Z 2K004 AA	\$27.08	
9	Retainer, Bearing	R	#1.6	YL8Z 3B457 AA	\$12.22	

2001 Ford Escape XLT Utility

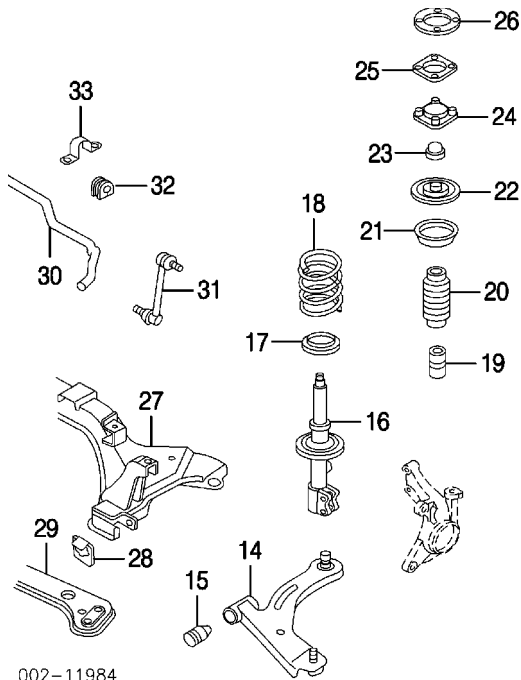
	L	#1.6	YL8Z 3B457 AA	\$12.22
10 Bearing, Inner	R	#1.6	YL8Z 1215 AA	\$94.97
	L	#1.6	YL8Z 1215 AA	\$94.97
11 Spindle	01-0 R	#1.6	2L8Z 3K185 BA	\$217.33
	L	#1.6	2L8Z 3K186 BA	\$219.00
	05-0 R	#1.6	5L8Z 3K185 BA	\$123.32
	L	#1.6	5L8Z 3K186 BA	\$125.43

#R&R One Side Complete, Includes R&R Brake Rotor & Wheel Hub Assy, R&R Both Sides 3.0

12 Hose, Front Brake	R	#.3	7L8Z 2078 B	\$36.30
	L	#.3	7L8Z 2078 B	\$36.30

#w/Caliper Removed Deduct .2

13 Sensor, Front ABS-See ABS/Brakes Section



14 Arm, Lower Control	01-0 R	#1.5	4L8Z 3078 R	\$159.98
	L	#1.5	4L8Z 3079 L	\$159.95
	05-0 R	#1.5	6L8Z 3078 AA	\$199.98
	L	#1.5	6L8Z 3079 AA	\$199.98

#w/Spindle Removed Deduct 1.0, R&R Both 2.8

15 Bushing, Control Arm 2001-04	R		YL8Z 3069 AA	\$18.98
	L		YL8Z 3069 AA	\$18.98

2001 Ford Escape XLT Utility

2005-07-Serviced w/Lower Control Arm

16 Strut					
2.0L Eng	01-0	R	#1.3	3U2Z 18124 VAA	\$133.83
		L	#1.3	3U2Z 18124 UAA	\$108.75
2.3L Eng	05-0	R	#1.3	6L8Z 18124 BA	\$79.50
		L	#1.3	6L8Z 18124 BB	\$79.50
3.0L Eng	01-0	R	#1.3	3U2Z 18124 TAA	\$119.38
		L	#1.3	3U2Z 18124 XAA	\$118.73
	05-0	R	#1.3	6L8Z 18124 AB	\$82.58
		L	#1.3	6L8Z 18124 AC	\$83.75
17 Seat, Lwr Spring		R	#1.3	YL8Z 5A307 AA	\$10.88
		L	#1.3	YL8Z 5A307 AA	\$10.88
18 Spring, Coil (b)	01-0	R	#1.3	YL8Z 5310 GA	\$65.98
		L	#1.3	YL8Z 5310 GA	\$65.98
	05-0	R	#1.3	5L8Z 5310 GC	\$71.12
		L	#1.3	5L8Z 5310 GC	\$71.12
(b) Order by Application					
19 Bumper, Strut		R	#1.3	YL8Z 18A085 AB	\$12.98
		L	#1.3	YL8Z 18A085 AB	\$12.98
20 Shield, Dust		R	#1.3	9L8Z 18A179 A	\$7.98
		L	#1.3	9L8Z 18A179 A	\$7.98
21 Retainer, Lwr Spring		R	#1.3	YL8Z 5793 AA	\$14.98
		L	#1.3	YL8Z 5793 AA	\$14.98
22 Retainer, Upr Spring		R	#1.3	YL8Z 5A306 AA	\$20.60
		L	#1.3	YL8Z 5A306 AA	\$20.60
23 Bushing, Strut		R	#1.3	YL8Z 18198 AA	\$8.62
		L	#1.3	YL8Z 18198 AA	\$8.62
24 Plate, Strut Mtg					
2001-06					
2.0L Eng	01-0	R	#1.3	7L8Z 18183 A	\$15.47
		L	#1.3	7L8Z 18183 A	\$15.47
2.3L Eng	05-0	R	#1.3	7L8Z 18183 A	\$15.47
		L	#1.3	7L8Z 18183 A	\$15.47
3.0L Eng		R	#1.3	7L8Z 18183 A	\$15.47
		L	#1.3	7L8Z 18183 A	\$15.47
2007					
To 7-30-06		R	#1.3	7L8Z 18183 A	\$15.47
		L	#1.3	7L8Z 18183 A	\$15.47
From 7-31-06		R	#1.3	7L8Z 18183 A	\$15.47
		L	#1.3	7L8Z 18183 A	\$15.47

#R&R One Side Complete, w/Spindle Removed Deduct 1.0, R&R Both Sides 2.4

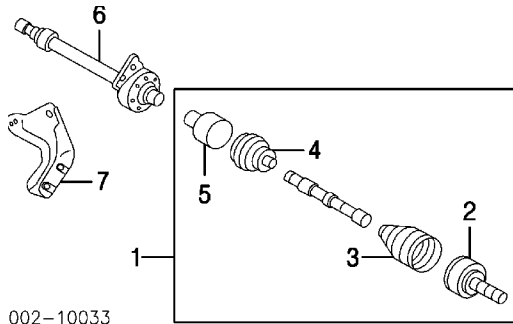
25 Insulator, Strut Plate		R		YL8Z 18B028 AA	\$4.02
		L		YL8Z 18B028 AA	\$4.02

2001 Ford Escape XLT Utility

26 Seal, Strut Mtg	R		YL8Z 18A049 AB	\$10.98	
	L		YL8Z 18A050 AB	\$11.98	
27 Crossmember, Front					
2001-04		#6.5	YL8Z 5C145 AA	\$394.58	
		2005			
To 3-9-04		#6.5	5L8Z 5C145 AC	\$426.38	
From 3-10-04		#6.5	6L8Z 5C145 A	\$367.90	
2006-07		#6.5	6L8Z 5C145 A	\$367.90	
#Not Included in O/H					
28 Cam, Adjuster	R		YL8Z 3C178 AA	\$25.65	
	L		YL8Z 3C178 AA	\$25.65	
29 Brace, Crossmember		01-0	#1.3	YL8Z 5B112 AA	\$66.83
		05-0	#1.3	5L8Z 5B112 AB	\$45.65
#Not Included in O/H					
30 Bar, Stabilizer					
2001-06					
2.0L Eng		01-0	#.7	3L8Z 5482 AA	\$93.67
2.3L Eng		05-0	#.7	5L8Z 5482 CA	\$69.65
3.0L Eng			#.7	3L8Z 5482 BA	\$74.62
		2007	#.7	5L8Z 5482 CA	\$69.65
#Includes R&R Stabilizer Bar Links, Stabilizer Bar Brackets & Stabilizer Bar Insulators, Not Included in O/H					
31 Link, Stabilizer Bar	01-0 R	#.3	YL8Z 5K483 AA	\$34.82	
	L	#.3	YL8Z 5K483 AA	\$34.82	
	05-0 R	#.3	7L8Z 5K483 A	\$31.15	
	L	#.3	7L8Z 5K483 A	\$31.15	
32 Bushing, Stabilizer	01-0 R	#.3	YL8Z 5484 AA	\$7.32	
	L	#.3	YL8Z 5484 AA	\$7.32	
	05-0 R	#.3	5L8Z 5484 CA	\$14.65	
	L	#.3	5L8Z 5484 CA	\$14.65	
33 Brkt, Stabilizer	01-0 R	#.3	YL8Z 5486 AA	\$29.32	
	L	#.3	YL8Z 5486 AA	\$29.32	
	05-0 R	#.3	5L8Z 5486 AA	\$14.65	
	L	#.3	5L8Z 5486 AA	\$14.65	
#Not Included in O/H					

2001 Ford Escape XLT Utility

## FRONT DRIVE AXLE



002-10033

R&I Axle Shaft Assy

R #.3

L #.3

O/H Axle Shaft Assy (Includes R&I)

R #1.1

L #1.1

#w/Necessary Suspension Components Removed

NOTE: All Parts in this section are included in overhaul unless noted otherwise.

### 1 Shaft Assy, Axle

2.0L Eng

2001-04

Man Trans

w/ABS

R #.3

YL8Z 3A428 BA \$466.38

L #.3

YL8Z 3A427 BA \$455.38

w/o ABS

R #.3

6L8Z 3A428 A \$703.98

L #.3

YL8Z 3A427 FA \$448.78

Auto Trans

w/ABS

R #.3

5L8Z 3A428 DB \$325.58

L #.3

YL8Z 3A427 FA \$448.78

w/o ABS

R #.3

YL8Z 3A428 CA \$431.18

L #.3

YL8Z 3A427 EA \$457.58

2.3L Eng

2005-07

Man Trans

2WD

R #.3

6L8Z 3A428 A \$703.98

L #.3

6L8Z 3A427 C \$327.78

4WD

R #.3

6L8Z 3A428 A \$703.98

L #.3

6L8Z 3A427 B \$701.78

Auto Trans

w/ABS

R #.3

5L8Z 3A428 DB \$325.58

L #.3

YL8Z 3A427 FA \$448.78

w/o ABS

R #.3

YL8Z 3A428 CA \$431.18

2001 Ford Escape XLT Utility

	L	#.3	YL8Z 3A427 EA	\$457.58
3.0L Eng				
w/ABS	R	#.3	5L8Z 3A428 DB	\$325.58
	L	#.3	5L8Z 3A427 C	\$530.18
w/o ABS	R	#.3	YL8Z 3A428 CA	\$431.18
	L	#.3	YL8Z 3A427 CA	\$420.18

#w/Necessary Suspension Components Removed

2 Joint, Outer¶

2.0L Eng

2001-04

Man Trans

w/ABS

R #.4 YL8Z 3B413 EA \$248.78

L #.4 YL8Z 3B413 JA \$253.98

w/o ABS

R #.4 YL8Z 3B413 FA \$251.28

L #.4 YL8Z 3B413 KA \$248.78

Auto Trans

w/ABS

R #.4 YL8Z 3B413 EA \$248.78

L #.4 YL8Z 3B413 GA \$274.98

w/o ABS

R #.4 YL8Z 3B413 DA \$266.18

L #.4 YL8Z 3B413 HA \$259.58

2.3L Eng-Serviced w/Axle Shaft Assy

3.0L Eng

w/ABS

R #.4 YL8Z 3B413 CA \$307.98

L #.4 YL8Z 3B413 AA \$307.98

w/o ABS

R #.4 N.A.

L #.4 YL8Z 3B413 BA \$274.98

3 Boot Kit, Outer¶

2.0L Eng

01-0 R #.4 YL8Z 3A331 CA \$74.78

L #.4 YL8Z 3A331 CA \$74.78

2.3L Eng-Serviced w/Axle Shaft Assy

3.0L Eng

R #.4 YL8Z 3A331 CA \$74.78

L #.4 YL8Z 3A331 CA \$74.78

#R&R One Side Complete, w/Axle Shaft Assy Removed

4 Boot Kit, Inner¶

2.0L Eng

Man Trans

01-0 R #.4 YL8Z 3A331 BA \$59.38

L #.4 YL8Z 3A331 BA \$59.38

Auto Trans

01-0 R #.4 YL8Z 3A331 AA \$57.18

L #.4 YL8Z 3A331 AA \$57.18



2001 Ford Escape XLT Utility

2.3L Eng-Serviced w/Axle Shaft Assy				
3.0L Eng	R	#.4	YL8Z 3A331 AA	\$57.18
	L	#.4	YL8Z 3A331 AA	\$57.18
5 Joint, Inner¶				
2.0L Eng				
Man Trans	01-0	R #.4	YL8Z 3B414 BA	\$257.38
		L #.4	YL8Z 3B414 BA	\$257.38
Auto Trans	01-0	R #.4	YL8Z 3B414 CA	\$156.18
		L #.4	YL8Z 3B414 AA	\$155.98
2.3L Eng-Serviced w/Axle Shaft Assy				
3.0L Eng	R	#.4	YL8Z 3B414 CA	\$156.18
	L	#.4	YL8Z 3B414 AA	\$155.98
¶Included w/Axle Shaft Assy				
#R&R One Side Complete, w/Axle Shaft Assy Removed				
Indicator, Front Sensor				
2WD-See ABS/Brakes Section				
4WD-Serviced w/Axle Shaft Assy				
6 Shaft, Intermediate				
2001-06				
2.0L Eng				
Man Trans	01-0	#.5	YL8Z 3A329 AA	\$232.43
Auto Trans				
2WD	01-0	#.5	YL8Z 3A329 BA	\$196.43
4WD	01-0	#.5	6L8Z 3A329 A	\$115.00
2.3L Eng				
Man Trans				
2WD	05-0	#.5	5L8Z 3A329 AA	\$176.62
4WD	05-0	#.5	6L8Z 3A329 C	\$170.87
Auto Trans				
2WD	05-0	#.5	YL8Z 3A329 BA	\$196.43
4WD	05-0	#.5	6L8Z 3A329 A	\$115.00
3.0L Eng				
2WD		#.5	5L8Z 3A329 B	\$115.00
4WD		#.5	6L8Z 3A329 A	\$115.00
2007				
Man Trans				
2WD		#.5	6L8Z 3A329 B	\$122.33
4WD		#.5	6L8Z 3A329 C	\$170.87

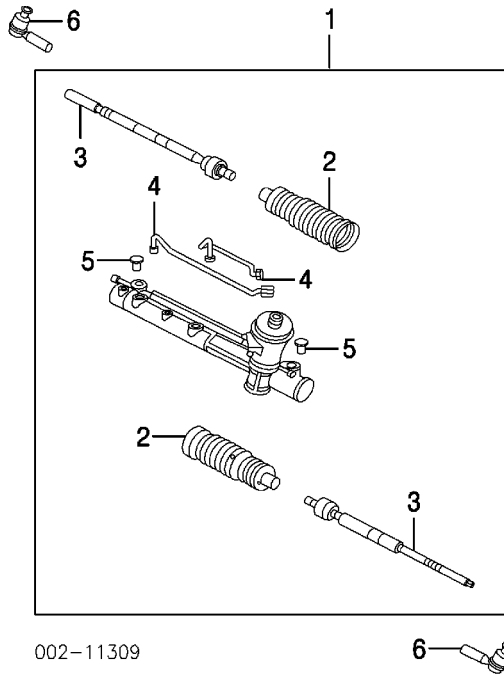
2001 Ford Escape XLT Utility

Auto Trans				
2WD		#.5	5L8Z 3A329 B	\$115.00
4WD		#.5	6L8Z 3A329 A	\$115.00
7 Bracket, Axle Shaft				
2.0L Eng				
Man Trans	01-0	#.5	YL8Z 3K305 AA	\$23.30
Auto Trans				
2WD	01-0	#.5	YL8Z 3K305 CA	\$22.93
4WD	01-0	#.5	YL8Z 3K305 DA	\$49.12
2.3L Eng				
Man Trans	05-0	#.5	N.A.	
Auto Trans				
2WD	05-0	#.5	5L8Z 3K305 BA	\$67.80
4WD	05-0	#.5	5L8Z 3K305 CA	\$79.80
3.0L Eng				
2WD		#.5	YL8Z 3K305 BA	\$23.30
4WD		#.5	5L8Z 3K305 EA	\$61.32

#R&R Complete, w/Axle Shaft Assy Removed, Not Included in O/H

2001 Ford Escape XLT Utility

FRONT STEERING LINKAGE/GEAR



R&I Steering Gear Assy

3.2

NOTE: R&I/R&R Does Not include check or adjust alignment.

1 Gear Assy, Steering

2001-02

15" Wheels

3.6 3L8Z 3504 CARM \$400.76

16" Wheels

215/70R16 Tires

3.6 3L8Z 3504 CARM \$400.76

235/70R16 Tires

3.6 3L8Z 3504 DARM \$343.51

2003

To 2-16-03

15" Wheels

3.6 3L8Z 3504 CARM \$400.76

16" Wheels

215/70R16 Tires

3.6 3L8Z 3504 CARM \$400.76

235/70R16 Tires

3.6 3L8Z 3504 DARM \$343.51

From 2-17-03

15" Wheels

3.6 3L8Z 3504 CARM \$400.76

16" Wheels

215/70R16 Tires

3.6 3L8Z 3504 CARM \$400.76

235/70R16 Tires

3.6 3L8Z 3504 DARM \$343.51

2004

15" Wheels

3.6 3L8Z 3504 CARM \$400.76

16" Wheels

2001 Ford Escape XLT Utility

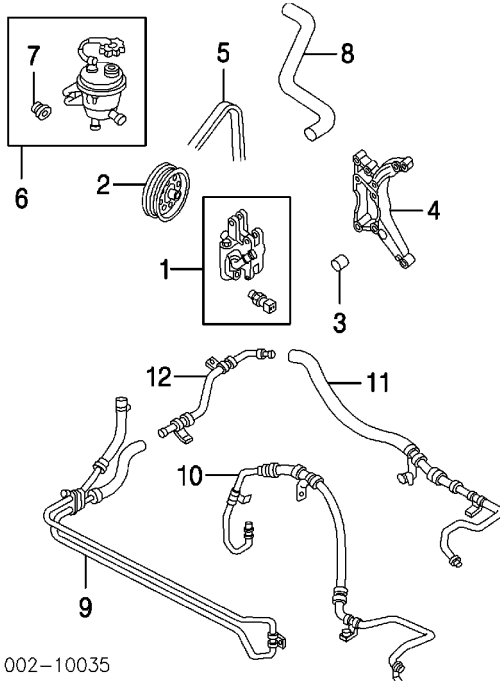
215/70R16 Tires			3.6	3L8Z 3504 CARM	\$400.76
235/70R16 Tires			3.6	3L8Z 3504 DARM	\$343.51
2005-07					
15" Wheels			3.6	7L8Z 3504 C	\$495.51
16" Wheels			3.6	7L8Z 3504 DRM	\$507.29
2 Boot, Dust	01-0	R	#.6	7L8Z 3K661 A	\$60.67
		L	#.6	7L8Z 3K661 A	\$60.67
	05-0	R	#.6	5L2Z 3K661 AA	\$10.42
		L	#.6	5L2Z 3K661 AA	\$10.42
3 Rod, Inner Tie		R	#.6	YL8Z 3280 EA	\$76.33
		L	#.6	YL8Z 3280 EA	\$76.33
#R&R One Side Complete, w/Steering Gear Assy Removed, R&R Both Sides 1.0, Includes R&R Outer Tie Rod End					
4 Tube, Oil	01-0	R		YL8Z 3A717 EA	\$15.46
		L		YL8Z 3A714 EA	\$12.38
	05-0	R		N.A.	
		L		N.A.	
5 Insulator, Mtg		R		YS4Z 3C716 BA	\$24.47
		L		YS4Z 3C716 BA	\$24.47
¶Included w/Steering Gear Assy					
6 Rod, Outer Tie		R	#.3	5L8Z 3A130 AA	\$54.38
		L	#.3	5L8Z 3A130 AA	\$54.38

#Included in R&R Steering Gear Assy

2001 Ford Escape XLT Utility

STEERING PUMP

2.0L ENG  
2001-04



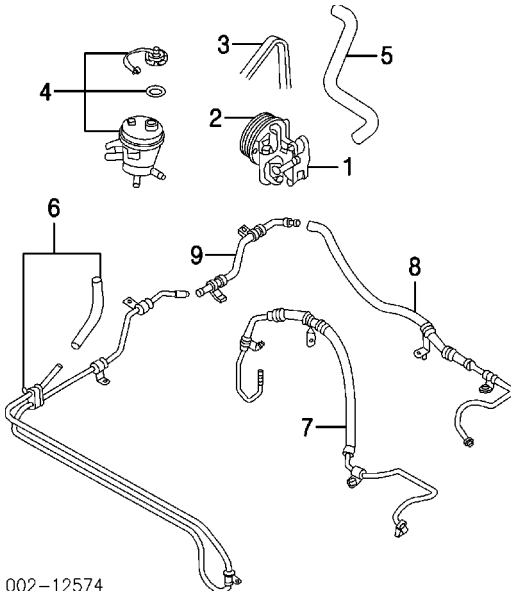
002-10035

1 Pump, Steering		2.0 YL8Z 3A674 MARM	\$148.85
2 Pulley, Pump		YL8Z 3A733 BA	\$43.87
3 Bushing, Mtg		F4AC 3K740 BA	
4 Brkt, Mounting		F7CZ 3C511 AD	\$48.02
5 Belt, Drive-See Cooling Section			
6 Reservoir Assy, Fluid		.8 YL8Z 3A697 BA	\$39.98
7 Grommet, Reservoir†		F6XZ 3F768 AA	\$281.17
†Included w/Fluid Reservoir Assy			
8 Hose, Reservoir		.4 YL8Z 3691 AA	\$46.08
9 Cooler, Pwr Strg			
2001-02		#.8 3L8Z 3D746 AA	\$112.93
	2003	#.8 3L8Z 3D746 AA	\$112.93
To 4-9-03		#.8 3L8Z 3D746 AA	\$112.93
From 4-10-03		#.8 3L8Z 3D746 AA	\$112.93
	2004	#.8 3L8Z 3D746 AA	\$112.93
#w/Front Bumper Removed			
10 Hose, Pressure		1.2 YL8Z 3A719 AA	\$101.97
11 Hose, Return			
2001-02		.8 2L8Z 3A713 BA	\$50.08

2001 Ford Escape XLT Utility

	2003		
To 4-10-03		.8 2L8Z 3A713 BA	\$50.08
From 4-11-03		.8 5L8Z 3A713 A	\$42.88
	2004	.8 5L8Z 3A713 A	\$42.88
12 Tube, Return			
2001-02		.7 2L8Z 3A713 AA	\$18.58
	2003		
To 4-10-03		.7 2L8Z 3A713 AA	\$18.58
From 4-11-03		.7 3L8Z 3A713 AA	\$17.65
	2004	.7 3L8Z 3A713 AA	\$17.65

2.3L ENG  
2005-07

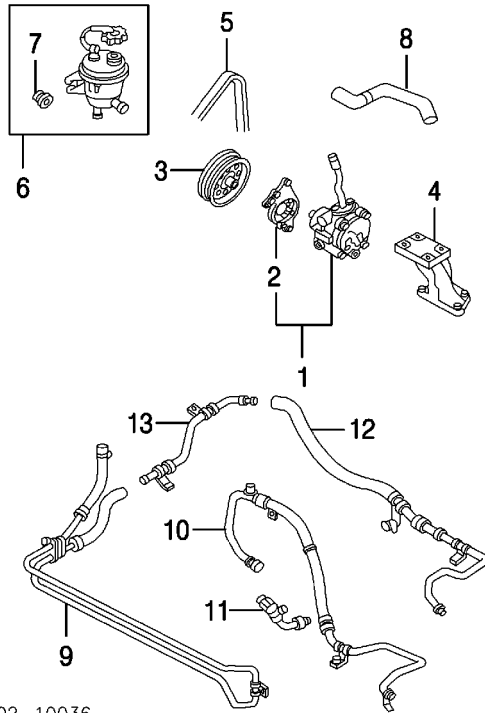


002-12574			
1 Pump, Steering		2.0 7L8Z 3A674 ARM	\$120.63
2 Pulley, Pump		1S7Z 3A733 A	\$30.58
3 Belt, Drive-See Cooling Section			
Brkt, Mounting		N.A.	
4 Reservoir, Pump		1.0 YL8Z 3A697 BA	\$39.98
5 Hose, Reservoir		.4 5L8Z 3691 AA	\$26.86
6 Cooler, Pwr Strg Oil			
	2005		
To 2-04		#.8 3L8Z 3D746 AA	\$112.93
From 3-04		#.8 6L8Z 3D746 A	\$119.67
2006-07		#.8 6L8Z 3D746 A	\$119.67
#w/Front Bumper Removed			
7 Hose, Pressure		1.2 6L8Z 3A719 A	\$125.02
8 Hose, Return		.8 5L8Z 3A713 A	\$42.88
9 Tube, Return	05-0	.7 3L8Z 3A713 AA	\$17.65

2001 Ford Escape XLT Utility

07 .7 6L8Z 3A713 A \$43.18

3.0L ENG



002-10036

1 Pump Assy, Steering	01-0	2.3 6L8Z 3A696 B	\$198.08
	05-0	2.3 6L8Z 3A696 BA	\$187.32
		YL8Z 6D027 AA	\$32.87
¶ Included w/Steering Pump Assy			
3 Pulley, Pump		YL8Z 3A733 BA	\$43.87
4 Brkt, Mounting		1S7Z 3A732 AA	\$67.20
5 Belt, Drive-See A/C /Heater/Ventilation Section			
6 Reservoir Assy, Fluid		.8 YL8Z 3A697 BA	\$39.98
7 Grommet, Reservoir (a)		F6XZ 3F768 AA	\$281.17
(a) Included w/Fluid Reservoir Assy			
8 Hose, Reservoir	01-0	.4 YL8Z 3691 BA	\$33.82
	05-0	.4 5L8Z 3691 BA	\$25.46
9 Cooler, Pwr Strg			
2001-02	#.8	3L8Z 3D746 AA	\$112.93
	2003		
To 4-9-03	#.8	3L8Z 3D746 AA	\$112.93
From 4-10-03	#.8	3L8Z 3D746 AA	\$112.93
	2004		

2001 Ford Escape XLT Utility

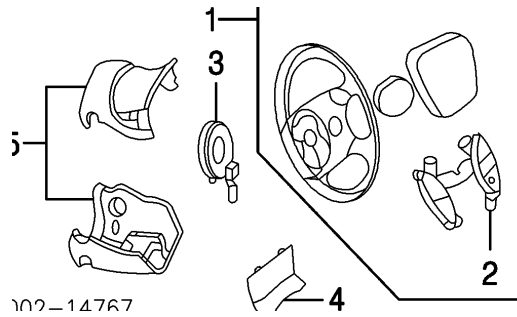
To 2-04		#.8	3L8Z 3D746 AA	\$112.93
From 3-04		#.8	6L8Z 3D746 A	\$119.67
2005-07		#.8	6L8Z 3D746 A	\$119.67
#w/Front Bumper Removed				
10 Hose, Pressure				
2001-04		1.2	YL8Z 3A719 CA	\$156.82
	2005			
To 3-2-04		1.2	YL8Z 3A719 CA	\$156.82
From 3-3-04		1.2	6L8Z 3A719 B	\$178.29
2006-07		1.2	6L8Z 3A719 B	\$178.29
11 Tube, Pressure		.8	6L8Z 3A719 C	\$38.09
12 Hose, Return				
2001-04 (b)		.8	2L8Z 3A713 BA	\$50.08
2005-07		.8	5L8Z 3A713 A	\$42.88
(b) Order by Application				
13 Tube, Return				
2001-02		.7	2L8Z 3A713 AA	\$18.58
	2003			
To 4-9-03		.7	2L8Z 3A713 AA	\$18.58
From 4-10-03		.7	3L8Z 3A713 AA	\$17.65
2004-06		.7	3L8Z 3A713 AA	\$17.65
	2007	.7	6L8Z 3A713 A	\$43.18



## STEERING WHEEL/COLUMN

NOTE: All Parts in this section are included in overhaul unless noted otherwise.

### WHEEL & TRIM



1 Wheel Assy, Steering-See Air Bag System Section

2 Switch, Cruise Control-See Air Bag System Section¶

¶Included w/Steering Wheel Assy

3 Clockspring-See Air Bag System Section

4 Cover, Steering Wheel

2001-04	5L8Z 7804459 BAA	\$42.27
2005-06		
Black	5L8Z 7804459 BAA	\$42.27
Flint	5L8Z 7804459 BAB	\$42.57
Pebble	5L8Z 7804459 BAC	\$42.57
2007	N.A.	

5 Cover, Steering Column

Man Trans

2001	.3 YL8Z 3530 BC	\$26.20
2002		
To 11-4-01	.3 YL8Z 3530 BC	\$26.20
From 11-5-01	.3 2L8Z 3530 BAA	\$27.28
2003-04	.3 2L8Z 3530 BAA	\$27.28
2005-06		
Black	.3 6L8Z 3530 AAA	\$33.85
Flint	.3 6L8Z 3530 AAB	\$31.63
Pebble	.3 6L8Z 3530 AAC	\$34.80
2007		
Black	.3 6L8Z 3530 AAA	\$33.85
Flint	.3 6L8Z 3530 AAB	\$31.63
Pebble	.3 6L8Z 3530 AAC	\$34.80

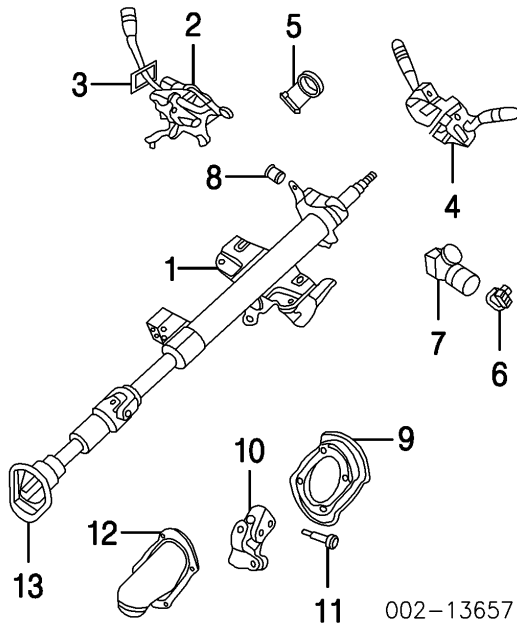
2001 Ford Escape XLT Utility

Auto Trans

	2001	.3 YL8Z 3530 AC	\$35.05
	2002		
To 11-4-01		.3 YL8Z 3530 AC	\$35.05
From 11-5-01		.3 2L8Z 3530 AAA	\$40.40
2003-04		.3 2L8Z 3530 AAA	\$40.40
2005-06			
Black		.3 6L8Z 3530 AAA	\$33.85
Flint		.3 6L8Z 3530 AAB	\$31.63
Pebble		.3 6L8Z 3530 AAC	\$34.80
	2007		
Black		.3 6L8Z 3530 AAA	\$33.85
Flint		.3 6L8Z 3530 AAB	\$31.63
Pebble		.3 6L8Z 3530 AAC	\$34.80

COLUMN

2001-04



R&I Steering Column Assy

1.8

O/H Steering Column (Includes R&I)

3.7

1 Column, Steering

2001-04

Man Trans¶

2.0L Eng

2.2 1L8Z 3524 VB \$272.22

3.0L Eng

2.2 1L8Z 3524 CB \$298.83

Auto Trans

2.2 1L8Z 3524 TB \$288.05

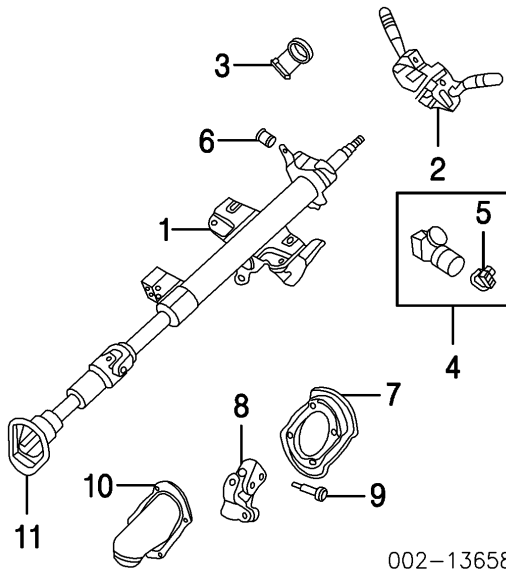
2 Lever, Shift¶

2001 Ford Escape XLT Utility

Auto Trans				
	2001	#1.6	2L8Z 7210 EA	\$173.92
	2002			
To 11-4-01		#1.6	2L8Z 7210 EA	\$173.92
From 11-5-01		#1.6	2L8Z 7210 EA	\$173.92
	2003			
To 12-1-02		#1.6	2L8Z 7210 EA	\$173.92
From 12-2-02		#1.6	3L8Z 7210 EA	\$187.53
	2004	#1.6	3L8Z 7210 EA	\$187.53
¶Order by Application				
#Includes R&R Column Covers				
3 Gasket, Lever				
Auto Trans			YL8Z 7C370 AB	\$14.65
4 Switch, Combination				
	2001	1.0	YL8Z 13K359 AA	\$123.98
	2002			
To 11-5-01		1.0	YL8Z 13K359 AA	\$123.98
From 11-6-01		1.0	2L8Z 13K359 AA	\$143.93
2003-04		1.0	2L8Z 13K359 AA	\$143.93
5 Transceiver		.7	XW4Z 15607 AA	\$45.09
6 Switch, Ignition¶				
Man Trans		.7	YS4Z 11572 CA	\$62.69
Auto Trans		.7	98AZ 11572 A	\$86.20
7 Housing, Ignition¶				
Man Trans		#1.3	YL8Z 3B767 DA	\$84.00
Auto Trans		#1.3	YL8Z 3B767 EA	\$112.80
#Includes R&R Ignition Switch				
8 Cylinder, Lock				
	2001	.5	5S4Z 11582 BB	\$152.84
	2002			
To 11-4-01		.5	5S4Z 11582 BB	\$152.84
From 11-5-01		.5	5L8Z 11582 B	\$78.36
2003-04¶		.5	5L8Z 11582 B	\$78.36
¶Order by Application				
9 Boot, Column			YL8Z 3C611 AA	\$15.98
10 Coupling, Steering		.7	6L8Z 3B676 A	\$45.55
11 Bolt, Coupling (2)			YL8Z 3R827 AA	\$7.00
12 Seal, Column			YL8Z 3D677 BA	\$20.93
13 Boot, Lower Column			4L8Z 3C611 AA	\$20.98

COLUMN  
2005-07

2001 Ford Escape XLT Utility



R&I Steering Column Assy

1.8

O/H Steering Column (Includes R&I)

3.7

1	Column, Steering (a)		2.2	5L8Z 3524 AA	\$416.50
	(a) Order by Application				
2	Switch, Combination		1.0	5L8Z 13K359 AB	\$135.80
	2005-06				
		2007			
	w/Auto H/Lamps		1.0	5L8Z 13K359 BB	\$135.80
	w/o Auto H/Lamps		1.0	5L8Z 13K359 AB	\$135.80
3	Transceiver		.7	2L1Z 15607 AA	\$45.09
4	Housing Assy, Ignition Switch				
	2005-06				
	Man Trans		1.3	6L8Z 3511 A	\$125.47
	Auto Trans		1.3	6L8Z 3511 A	\$125.47
		2007	1.3	6L8Z 3511 A	\$125.47
5	Switch, Ignition¶				
	2005-06				
	Man Trans		.7	YS4Z 11572 CA	\$62.69
	Auto Trans		.7	98AZ 11572 A	\$86.20
		2007	.7	98AZ 11572 A	\$86.20
	¶Included w/Ignition Switch Housing Assy				
6	Cylinder, Lock		.5	5L8Z 11582 B	\$78.36
7	Boot, Column	05-06		YL8Z 3C611 AA	\$15.98
		07		5L8Z 3C611 AA	\$18.98
8	Coupling, Steering		.7	6L8Z 3B676 A	\$45.55

2001 Ford Escape XLT Utility

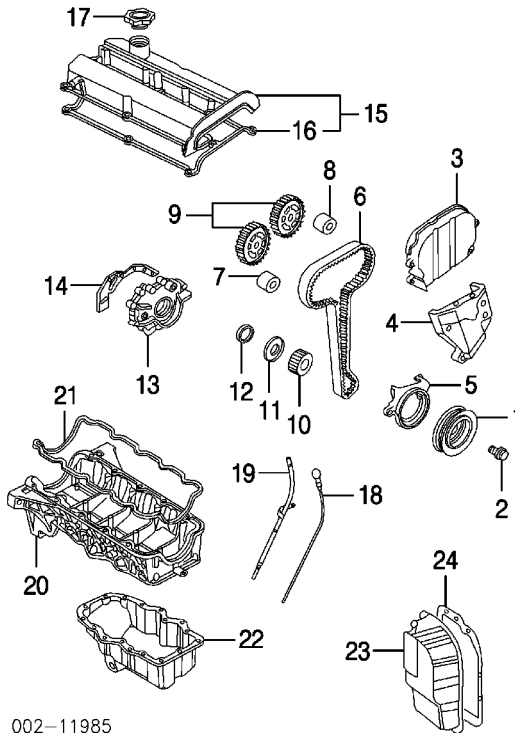
9 Bolt, Coupling (2)	YL8Z 3R827 AA	\$7.00
10 Seal, Column	5L8Z 3D677 AA	\$32.80
11 Boot, Lower Column	5L8Z 3C611 AA	\$18.98

## ENGINE/TRANSMISSION

### Procedure 12

### 2.0L ENG

### 2001-04



002-11985

### R&I Engine/Trans Assy

		8.2		
1 Pulley, Crankshaft		.8	F5RZ 6312 A	\$38.37
2 Bolt, Pulley			F5RZ 6A340 A	\$4.59
3 Cover, Upr Timing		.5	YS4Z 6019 DA	\$29.98
4 Cover, Ctr Timing (a)			YS4Z 6019 AA	\$35.32
(a) Order by Application				
5 Cover, Lwr Timing	#1.8		F8CZ 6019 CA	\$14.65
#Includes R&R Crankshaft Pulley				
6 Belt, Timing	01-0 #3.2		F8CZ 6268 AA	\$62.00
	03-0 #3.2		988Z 6268 B2A	\$68.08
#Includes R&R Crankshaft Pulley, Upper & Lower Timing Covers				
7 Tensioner, Timing Belt	#.2		F8CZ 6K254 AA	\$74.37
8 Pulley, Idler	#.2		YS7Z 6M250 BA	\$31.65
9 Sprocket, Camshaft	#.2		F8CZ 6256 BB	\$69.76
10 Sprocket, Crankshaft	#.2		F5RZ 6306 AB	\$31.21
#w/Timing Belt Removed				

2001 Ford Escape XLT Utility

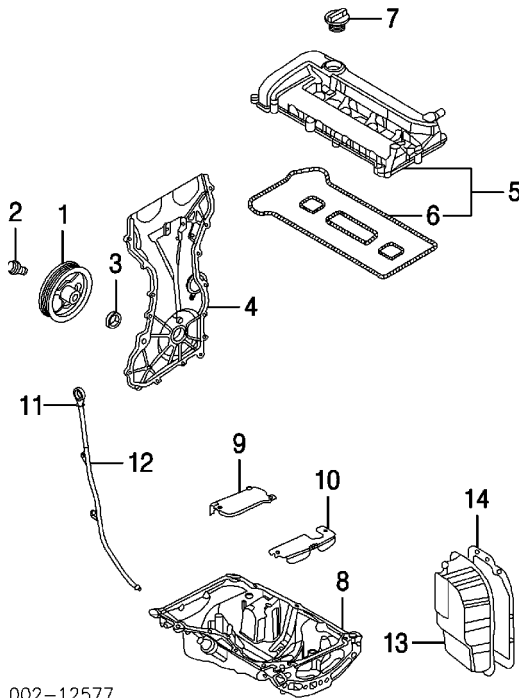
11 Guide, Timing Belt		F5RZ 6K297 A	\$9.15
12 Seal, Camshaft		F5RZ 6K292 B5A	\$9.22
13 Pump, Oil	#2.7	YS4Z 6600 AA	\$99.03
#w/Timing Belt Removed			
14 Gskt, Oil Pump		978Z 6659 BA	\$6.31
15 Cover Assy, Valve	.8	YL8Z 6582 AA	\$91.65
16 Gasket, Valve Cover (a)¶		YS4Z 6584 BA	\$42.91
¶Included w/Valve Cover Assy			
17 Cap, Oil Filler (a)		YS4Z 6766 BA	\$18.74
18 Dipstick, Eng Oil (a)		YS4Z 6750 ZA	\$13.82
(a) Order by Application			
19 Tube, Eng Dipstick	.5	YS4Z 6754 BA	\$23.05
20 Pan, Upper Eng Oil			
Man Trans			
		YL8Z 6F092 AA	\$196.27
Auto Trans			
		YS4Z 6F092 AA	\$163.50
21 Gskt, Upr Eng Oil Pan		YS4Z 6710 AA	\$33.37
22 Pan, Lower Eng Oil	2.2	YS4Z 6675 AA	\$92.78
23 Pan, Trans Oil (a)	1.2	3L8Z 7G004 AA	\$47.65

(a) Additional Parts &/or Dealer Contact Required

24 Gasket, Trans Oil Pan			
2001-02		F3RZ 7F396 A	\$12.41
	2003		
To 3-31-03		F3RZ 7F396 A	\$12.41
From 4-1-03		3L8Z 7F396 AA	\$29.22
	2004		
		3L8Z 7F396 AA	\$29.22

2.3L ENG  
2005-07

2001 Ford Escape XLT Utility



002-12577

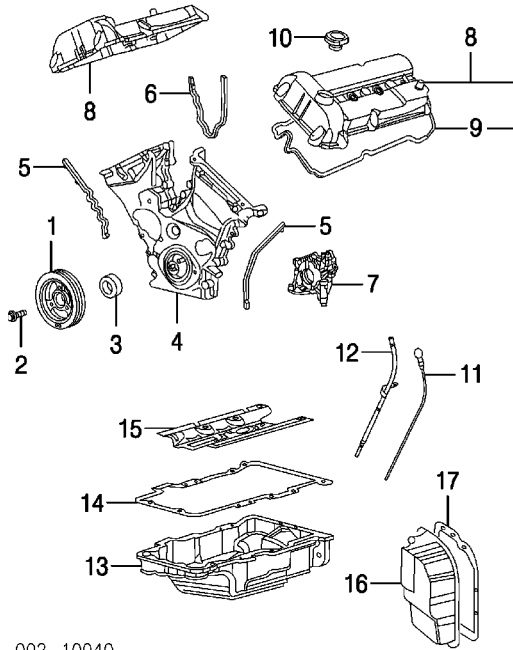
**R&I Engine/Trans Assy**

1 Pulley, Crankshaft	8.2		
2 Bolt, Pulley	2.4	7U7Z 6312 B	\$77.55
3 Seal, Crankshaft		1S7Z 6A340 AA	\$10.98
4 Cover, Timing		1S7Z 6700 AA	\$12.54
	#4.6	2L8Z 6019 AA	\$136.65
#Includes R&R Crankshaft Pulley			
5 Cover Assy, Valve	.8	4S4Z 6582 CA	\$131.98
6 Gskt, Valve Cover¶		1S7G 6K260 AA	\$31.15
¶Included w/Valve Cover Assy			
7 Cap, Oil Filler		XS7Z 6766 AA	\$15.52
8 Pan, Eng Oil	#5.0	3M4Z 6675 AA	\$171.65
#Includes R&R Timing Cover			
Baffle, Oil Pan			
9 Front		3M4Z 6687 AA	\$10.98
10 Rear		3M4Z 6687 BA	\$10.98
11 Dipstick, Eng Oil		5L8Z 6750 AA	\$17.78
12 Tube, Dipstick	.5	5L8Z 6754 AA	\$42.63
13 Pan, Trans Oil	1.2	3L8Z 7G004 AA	\$47.65
14 Gskt, Trans Oil Pan		3L8Z 7F396 AA	\$29.22

**3.0L ENG**



2001 Ford Escape XLT Utility



000-10040

**R&I Engine/Trans Assy**

1 Pulley, Crankshaft			9.7	6E5Z 6312 AA	\$58.07
2 Bolt, Pulley				* W701512 S301	\$4.83
3 Seal, Crankshaft				F5AZ 6700 A	\$10.45
4 Cover, Timing	01-0	#5.7		1S7Z 6019 BA	\$230.98
	05-0	#5.7		5L8Z 6019 A	\$263.98
#Includes R&R Crankshaft Pulley & Oil Pan					
5 Gskt, Otr Timing Cover	01-0	R		F5RZ 6020 A	\$6.66
		L		F5RZ 6020 C	\$6.14
	05-0	R		3M4Z 6020 AA	\$4.28
		L		3M4Z 6020 CA	\$4.28
6 Gskt, Ctr Timing Cover	01-0			F5RZ 6020 B	\$7.54
	05-07			3M4Z 6020 BA	\$4.34
7 Pump, Oil		#1.3		XW4Z 6600 DA	\$124.22
#w/Timing Cover Removed					
8 Cover Assy, Valve	01-0	R	#1.5	YL8Z 6582 BA	\$153.98
		L	#1.0	YL8Z 6582 CA	\$161.32
	05-0	R	#1.5	3F1Z 6582 BA	\$192.48
		L	#1.0	3F1Z 6582 CE	\$159.98
#R&R Both 2.3					
9 Gasket, Valve Cover	01-0	R		YF1Z 6584 BA	\$18.45
		L		YL8Z 6584 AA	\$16.91
	05-0	R		3F1Z 6584 BA	\$10.62
		L		3F1Z 6584 AA	\$8.62

2001 Ford Escape XLT Utility

¶Included w/Valve Cover Assy

10 Cap, Oil Filler		8F1Z 6766 A	\$12.08
11 Dipstick, Eng Oil	01-0	3M4Z 6750 AC	\$14.48
	05-07	4L8Z 6750 AA	\$16.65
12 Tube, Eng Dipstick	01-0	.5 XU3Z 6754 AA	\$23.82
	05-0	.5 3M4Z 6754 AB	\$24.30
13 Pan, Eng Oil (a)		2.3 8L8Z 6675 A	\$209.98

(a) Additional Parts &/or Dealer Contact Required

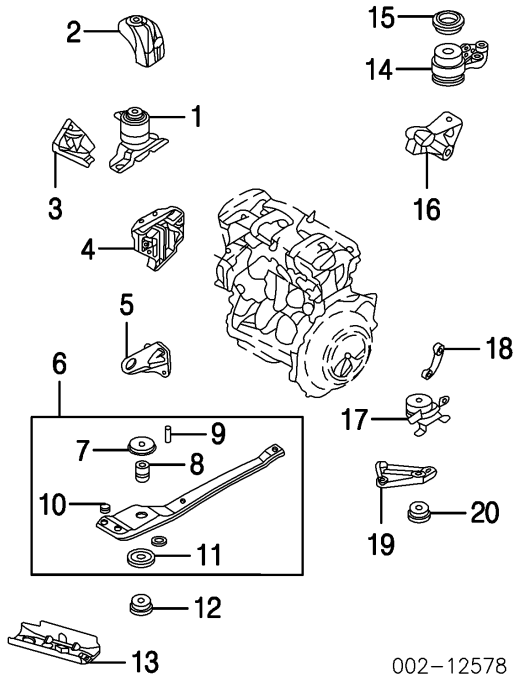
14 Gasket, Eng Oil Pan			
	2001		
To 1-14-01		F6DZ 6710 AA	\$47.37
From 1-15-01		2R8Z 6710 AA	\$49.22
2002-03		2R8Z 6710 AA	\$49.22
	2004		
To 7-17-03		2R8Z 6710 AA	\$49.22
From 7-18-03		3W4Z 6710 DA	\$42.12
2005-07		3W4Z 6710 DA	\$42.12
15 Baffle, Eng Oil Pan		YL8Z 6687 AA	\$27.48
16 Pan, Trans Oil (a)		1.2 3L8Z 7G004 AA	\$47.65

(a) Additional Parts &/or Dealer Contact Required

17 Gasket, Trans Oil Pan			
2001-02		F3RZ 7F396 A	\$12.41
	2003		
To 3-31-03		F3RZ 7F396 A	\$12.41
From 4-1-03		3L8Z 7F396 AA	\$29.22
2004-07		3L8Z 7F396 AA	\$29.22

## ENGINE/TRANSMISSION MOUNTS

2.0L ENG  
2001-04



002-12578

1	Mount, Front Eng		#1.0	YL8Z 6068 AA	\$263.48
2	Brkt, Front Eng Mount		#1.0	YL8Z 6061 AA	\$73.32
3	Reinforcement, Front #R&R Complete		#1.0	YL8Z 6K018 AA	\$33.07
4	Support, Front Eng Mount			XS7Z 6030 AA	\$51.67
5	Brkt, Left Eng Mount				
	Man Trans	L	#.3	YL8Z 6031 BA	\$34.82
	Auto Trans	L	#.3	YL8Z 6031 AA	\$34.70
	#w/Mount Removed				
6	Mount Assy, Left Engine				
	Man Trans	L	1.3	YL8Z 6P094 BA	\$363.40
	Auto Trans	L	1.3	YL8Z 6P094 AA	\$399.73
7	Insulator, Upper Left¶				
	Man Trans	L		YL8Z 6B072 BA	\$22.21
	Auto Trans	L		YL8Z 6B072 AA	\$24.43
8	Insulator, Ctr Left¶				
	Man Trans	L		YL8Z 6A061 BB	\$29.67
	Auto Trans	L		YL8Z 6A061 AB	\$26.97
9	Spacer	L		YL8Z 6A027 AB	\$5.48
10	Bushing, Mtg (2)	L		YL8Z 6P018 AA	\$8.98
11	Insulator, Lower Left¶				
	Man Trans	L		YL8Z 6B072 DA	\$22.68

2001 Ford Escape XLT Utility

Auto Trans		L		YL8Z 6B072 CA	\$20.62
¶Included w/Left Engine Mount Assy					
12 Insulator, Left Mount					
Man Trans					
2WD		L		YL8Z 6A061 AA	\$25.78
4WD		L		YL8Z 6A061 BA	\$91.24
Auto Trans		L		YL8Z 6A061 AA	\$25.78
13 Brkt, Left Eng Support					
Man Trans					
2WD		L		YL8Z 6L062 AA	\$55.80
Auto Trans		L		YL8Z 6L062 AA	\$55.80
14 Mount, Right Eng					
Man Trans		R	#1.1	YL8Z 6068 BA	\$190.10
Auto Trans					
2001-02		R	#1.1	YL8Z 6068 AB	\$95.22
	2003				
To 12-10-02		R	#1.1	YL8Z 6068 AB	\$95.22
From 12-11-02		R	#1.1	4L8Z 6068 EA	\$53.95
	2004	R	#1.1	4L8Z 6068 EA	\$53.95
15 Insulator, Right Mount					
Man Trans					
2WD		R	#1.1	YL8Z 6A061 BA	\$91.24
4WD		R	#1.1	YL8Z 6A061 AA	\$25.78
Auto Trans		R	#1.1	YL8Z 6A061 AA	\$25.78
16 Brkt, Right Mount					
Man Trans					
2WD		R	#1.1	YL8Z 6A023 CA	\$111.83
4WD		R	#1.1	YL8Z 6A023 BA	\$197.42
Auto Trans		R	#1.1	YL8Z 6A023 AA	\$90.08
#R&R Complete					
17 Mount, Trans					
Man Trans					
2WD			#.9	YL8Z 6038 EA	\$238.86
4WD			#.9	YL8Z 6038 BA	\$50.62
Auto Trans					
2001-02			#.9	YL8Z 6038 AA	\$130.94
	2003				
To 12-10-02			#.9	YL8Z 6038 AA	\$130.94
From 12-11-02			#.9	3L8Z 6038 EA	\$52.37
	2004		#.9	3L8Z 6038 EA	\$52.37
18 Brace, Rear					
Man Trans			#.9	YL8Z 6E042 AA	\$33.90
19 Brkt, Trans Mount					
Man Trans					

2001 Ford Escape XLT Utility

2WD					
2001-02		#.9	YL8Z 6M007 CA	\$45.13	
	2003				
To 12-10-02		#.9	YL8Z 6M007 CA	\$45.13	
From 12-11-02		#.9	3L8Z 6M007 FA	\$38.80	
	2004	#.9	3L8Z 6M007 FA	\$38.80	
4WD					
2001-02		#.9	YL8Z 6M007 BA	\$42.20	
	2003				
To 12-10-02		#.9	YL8Z 6M007 BA	\$42.20	
From 12-11-02		#.9	3L8Z 6M007 EA	\$26.65	
	2004	#.9	3L8Z 6M007 EA	\$26.65	
Auto Trans					
2001-02		#.9	YL8Z 6M007 AA	\$45.82	
	2003				
To 12-10-02		#.9	YL8Z 6M007 AA	\$45.82	
From 12-11-02		#.9	3L8Z 6M007 DA	\$102.65	
	2004	#.9	3L8Z 6M007 DA	\$102.65	

#R&R Complete

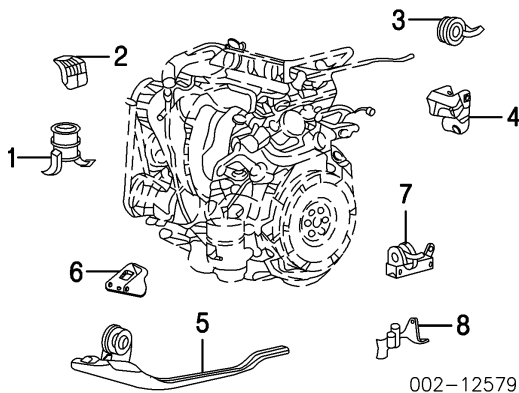
20 Insulator, Lower Rear

Man Trans

2WD			YL8Z 6A061 AA	\$25.78
4WD			YL8Z 6A061 BA	\$91.24

2.3L ENG

2005-07



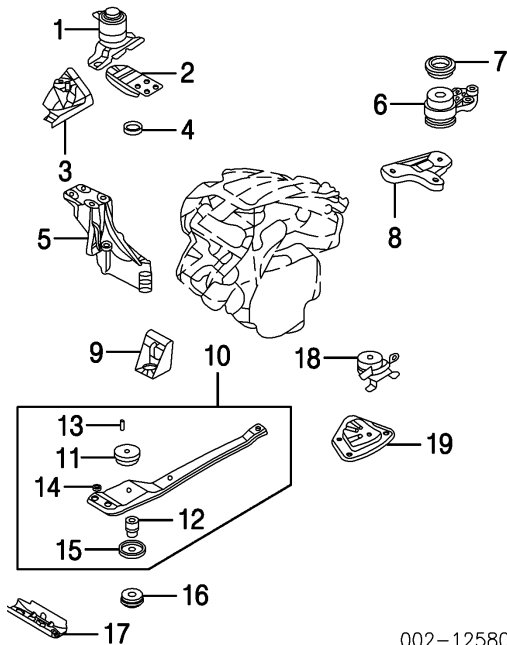
1 Mount, Front Eng		#1.0	6L8Z 6068 CA	\$86.73
2 Brkt, Front Eng Mount		#1.0	5L8Z 6061 BB	\$64.90
#R&R Complete				
3 Mount, Right Eng				
Man Trans				
2WD	R	#1.0	5L8Z 6068 CA	\$60.83
4WD	R	#1.0	5L8Z 6068 DA	\$66.90
Auto Trans				

2001 Ford Escape XLT Utility

2WD	R	#1.0	5L8Z 6068 AE	\$68.86
4WD	R	#1.0	5L8Z 6068 BB	\$70.24
4 Brkt, Right Mount				
Man Trans	R	#1.0	5L8Z 6A023 BA	\$62.68
Auto Trans	R	#1.0	5L8Z 6A023 AA	\$52.23
#R&R Complete				
5 Mount, Left Engine				
Man Trans	L	1.3	5L8Z 6P094 BA	\$101.92
Auto Trans	L	1.3	5L8Z 6P094 AA	\$112.12
6 Brkt, Left Eng Mount	L	#.3	5L8Z 6031 AA	\$47.32
#w/Mount Removed				
7 Mount, Trans				
Man Trans		#.9	5L8Z 6038 CA	\$72.29
Auto Trans		#.9	5L8Z 6038 BA	\$72.33
8 Brkt, Trans Mount				
Man Trans		#.9	5L8Z 6M007 BA	\$34.82
Auto Trans		#.9	5L8Z 6M007 AA	\$39.47
#R&R Complete				

3.0L ENG

2001-04



002-12580

1 Mount, Front Eng	#1.1	YL8Z 6068 AA	\$263.48
2 Brkt, Front Eng Mount	#1.1	YL8Z 6061 BA	\$56.82
3 Reinforcement, Front	#1.1	YL8Z 6K018 AA	\$33.07
#R&R Complete			
4 Insulator, Front Lower		YL8Z 6E094 AA	\$16.70

2001 Ford Escape XLT Utility

5 Brkt, Mounting-See Steering Pump Section

6 Mount, Right Eng

2001-02

R #1.3 YL8Z 6068 AB \$95.22

2003

To 12-10-02

R #1.3 YL8Z 6068 AB \$95.22

From 12-11-02

R #1.3 4L8Z 6068 EA \$53.95

2004

R #1.3 4L8Z 6068 EA \$53.95

7 Insulator, Right Mount

R #1.3 YL8Z 6A061 AA \$25.78

8 Brkt, Right Mount

R #1.3 YL8Z 6A023 AA \$90.08

#R&R Complete

9 Brkt, Left Eng Mount

L #.3 YL8Z 6031 CA \$54.98

#w/Mount Removed

10 Mount Assy, Left Engine

2001-02

L 1.5 YL8Z 6P094 CA \$270.07

2003

To 12-10-02

L 1.5 YL8Z 6P094 CA \$270.07

From 12-11-02

L 1.5 3L8Z 6P094 FA \$349.22

2004

L 1.5 3L8Z 6P094 FA \$349.22

11 Insulator, Upper Left

L YL8Z 6B072 AA \$24.43

12 Insulator, Ctr Left

L YL8Z 6A061 AB \$26.97

13 Spacer

L YL8Z 6A027 AB \$5.48

14 Bushing, Mtg (2)

L YL8Z 6P018 AA \$8.98

15 Insulator, Lower Left

L YL8Z 6B072 CA \$20.62

¶Included w/Left Engine Mount Assy

16 Insulator, Left Mount

L YL8Z 6A061 AA \$25.78

17 Brkt, Left Eng Support

L YL8Z 6L062 AA \$55.80

18 Mount, Trans

2001-02

#1.0 YL8Z 6038 AA \$130.94

2003

To 12-10-02

#1.0 YL8Z 6038 AA \$130.94

From 12-11-02

#1.0 3L8Z 6038 EA \$52.37

2004

#1.0 3L8Z 6038 EA \$52.37

19 Brkt, Trans Mount

2001-02

#1.0 YL8Z 6M007 AA \$45.82

2003

To 12-10-02

#1.0 YL8Z 6M007 AA \$45.82

From 12-11-02

#1.0 3L8Z 6M007 DA \$102.65

2004

#1.0 3L8Z 6M007 DA \$102.65

#R&R Complete

3.0L ENG

2005-07

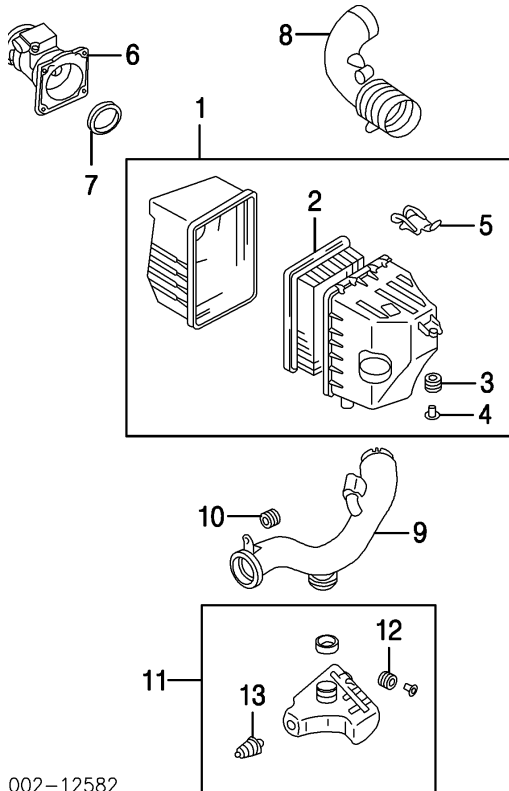




2001 Ford Escape XLT Utility

**AIR CLEANER**

2.0L ENG  
2001-04



002-12582

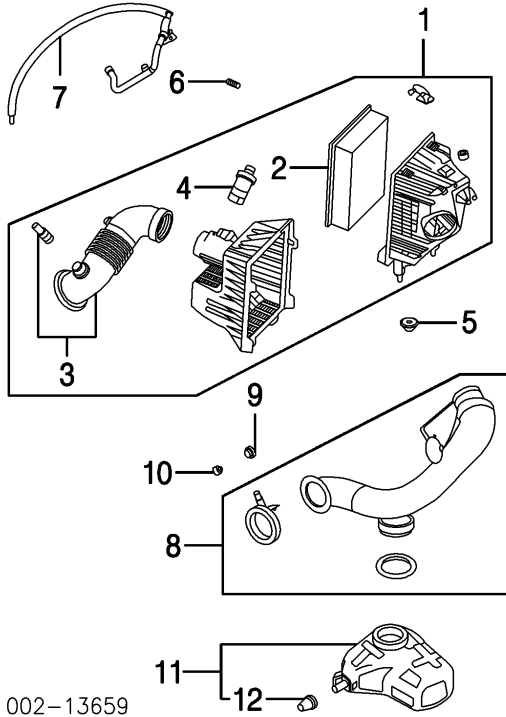
**R&I Air Cleaner Assy**

1 Cleaner Assy, Air		.3	
2 Element, Cleaner		.4 YL8Z 9600 AE	\$229.82
3 Grommet, Mtg		.2 YL8Z 9601 AA	\$20.78
4 Sleeve, Grommet		F6DZ 17C432 AA	\$5.98
5 Clamp, Air Cleaner	01	D5UZ 17C431 AA	\$8.98
		6M6Z 9628 AA	\$9.40
		.3 1SDZ 12B579 BBRM	\$251.80
6 Sensor, Air Flow		YL8Z 9E931 BA	\$9.90
7 Gskt, Sensor		.2 YL8Z 9B659 AE	\$77.93
8 Tube, Outlet		.2 6L8Z 9F843 C	\$37.00
9 Tube, Inlet		D5UZ 17C431 AA	\$8.98
10 Sleeve, Inlet Tube		.4 5L8Z 9F763 AA	\$46.67
11 Resonator Assy		F3DZ 17C432 AA	\$6.98
12 Grommet, Resonator (a)		F77Z 9P686 AA	\$6.22
13 Insulator (a)			

(a) Included w/Resonator Assy

2001 Ford Escape XLT Utility

2.3L ENG  
2005-07



002-13659

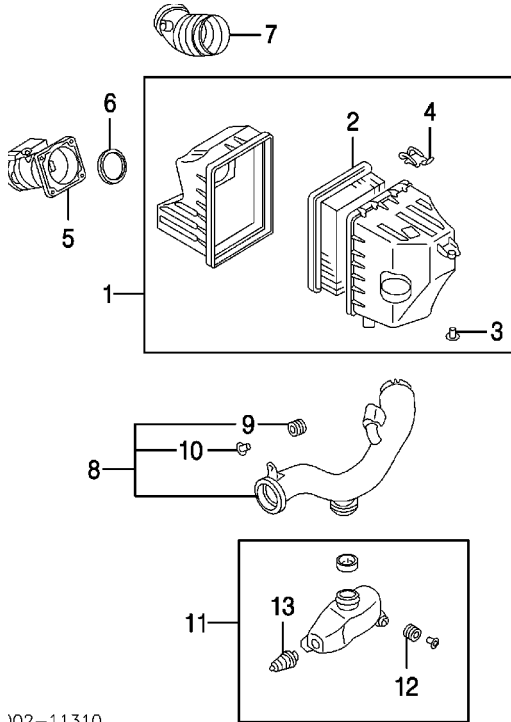
R&I Air Cleaner Assy

1 Cleaner Assy, Air 2005-06		.3	
		.4	5L8Z 9600 AA \$270.47
	2007	.4	5L8Z 9600 AA \$270.47
Man Trans		.4	6L8Z 9600 CA \$268.00
Auto Trans		.3	YL8Z 9601 AA \$20.78
2 Element, Air Cleaner¶		.2	5L8Z 9B659 AA \$45.23
		.2	5L8Z 9B659 CA \$42.58
3 Tube, Outlet¶		.3	3L3Z 12B579 BA \$244.91
Man Trans			
Auto Trans			
4 Sensor, Air Flow¶			
¶Included w/Air Cleaner Assy			
5 Grommet, Mtg (2)			3C3Z 9N608 AA \$5.10
6 Gskt, Sensor			3L3Z 12B615 BA \$10.22
7 Hose, Air		.2	7L8Z 9C490 A \$42.15
8 Tube, Inlet	05-0	.2	6L8Z 9F843 C \$37.00
	07	.2	6L8Z 9F843 B \$37.00
9 Grommet, Inlet Tube			F3DZ 17C432 AA \$6.98
10 Sleeve, Grommet			D5UZ 17C431 AA \$8.98
11 Resonator Assy		.4	5L8Z 9F763 AA \$46.67
12 Insulator (a)			F77Z 9P686 AA \$6.22

2001 Ford Escape XLT Utility

(a) Included w/Resonator Assy

3.0L ENG



102-11310

R&I Air Cleaner Assy

1	Cleaner Assy, Air	01-0	.3		
		05-0	.4	3L8Z 9600 BA	\$261.58
			.4	5L8Z 9600 BA	\$240.73
2	Element, Cleaner†		.3	YL8Z 9601 AA	\$20.78
3	Sleeve, Grommet†			D5UZ 17C431 AA	\$8.98
4	Clamp, Air Cleaner†			6M6Z 9628 AA	\$9.40
	†Included w/Air Cleaner Assy				
5	Sensor, Air Flow		.5	1L2Z 12B579 BARM	\$244.91
6	Gskt, Sensor			YL8Z 9E931 CA	\$7.46
7	Tube, Outlet		.2	2L8Z 9B659 BA	\$30.27
8	Tube Assy, Inlet (a)		.2	6L8Z 9F843 C	\$37.00
	(a) Order by Application				
9	Grommet, Inlet Tube (b)			F3DZ 17C432 AA	\$6.98
10	Sleeve, Grommet (b)			D5UZ 17C431 AA	\$8.98
	(b) Included w/Inlet Tube Assy				
11	Resonator Assy	01-0	.4	YL8Z 9F763 BA	\$34.03
		05-0	.4	5L8Z 9B659 BA	\$45.80
12	Grommet, Resonator (c)			F3DZ 17C432 AA	\$6.98
13	Insulator, Resonator (c)			F4ZZ 9P686 A	\$4.48

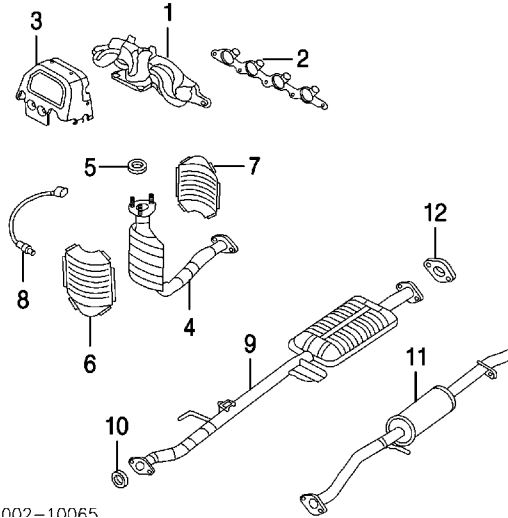
2001 Ford Escape XLT Utility

(c) Included w/Resonator Assy

2001 Ford Escape XLT Utility

**EXHAUST**

2.0L ENG  
2001-04



002-10065

R&I Exhaust System

1.2

R&R Exhaust System Complete

#1.8

#Does Not Include R&R Exhaust Manifold or Cover

1	Manifold, Exhaust	2.0	XS4Z 9430 AA	\$247.48
2	Gasket, Manifold		968Z 9448 AA	\$11.83
3	Shield, Manifold Heat	#.4	YS4Z 9N454 AA	\$56.82

#Included in R&R Exhaust Manifold

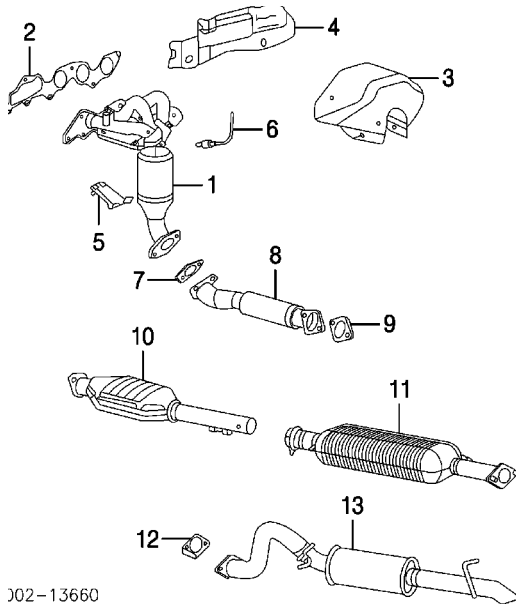
4	Converter, Catalytic	1.0	YL8Z 5E212 GB	\$833.33
5	Gskt, Converter		YS4Z 9450 CA	\$11.14
6	Shield, Upr Converter Heat		YL8Z 5F223 AA	\$28.33
7	Shield, Lwr Converter Heat		YL8Z 5E258 AA	\$29.68

8 Sensor, Oxygen-See Emission System Section

9	Resonator	.8	YL8Z 5230 AA	\$340.25
10	Gskt, Resonator		YL8Z 5E241 AA	\$17.15
11	Muffler	.6	YL8Z 5A212 CA	\$174.13
12	Gskt, Muffler		YL8Z 9450 AA	\$10.75
	Bracket, Exhaust Pipe		YL8Z 5K272 AA	\$26.48

2.3L ENG  
2005-07

2001 Ford Escape XLT Utility



J02-13660

R&I Exhaust System  
R&R Exhaust Complete

1.2  
#1.8

#Does Not Include R&R Exhaust Manifold or Cover

1	Manifold, Exhaust	05-0	2.0	5L8Z 5G232 AA	\$658.50
		07	2.0	5L8Z 5G232 A	\$699.97
2	Gskt, Manifold	05-06		1L5Z 9448 AB	\$11.83
		07		9E5Z 9448 A	\$15.22
	Shield, Heat				
3	Outer	#.4		5L8Z 9N454 AA	\$93.48
4	Inner (a)	#.4		5L8Z 9A462 BA	
	(a) Order by Application				
	#R&R Complete, Included in R&R Exhaust Manifold				
5	Bracket, Manifold			5L8Z 5A204 AA	\$18.67
6	Sensor, Oxygen-See Emission System Section				
7	Gskt, Flange			5L8Z 9450 AA	\$10.14
8	Pipe, Intermediate	#1.0		5L8Z 5E256 AB	\$451.99
9	Gskt, Pipe			5L8Z 9450 CA	\$13.83
10	Converter, Catalytic	05-0	#1.0	6L8Z 5E212 D	\$583.33
		07	#1.0	7L8Z 5E212 AA	\$583.33
	#R&R Both 1.3				
11	Resonator		.8	5L8Z 5230 BA	\$233.85
12	Gskt, Muffler			5L8Z 9450 CA	\$13.83



2001 Ford Escape XLT Utility

4 Sensor, Oxygen-See Emission System Section

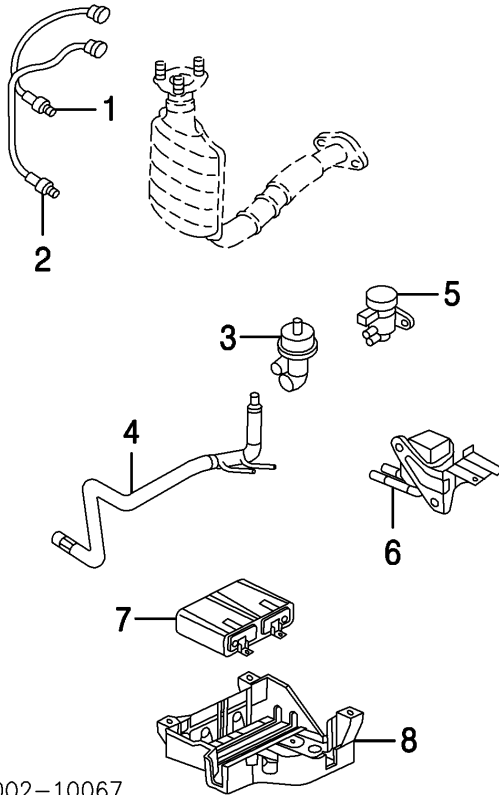
5 Pipe, Front	01-0	1.3	YL8Z 5E256 CB	\$343.25
	05-0	1.3	7L8Z 5E256 AA	\$528.07
6 Gskt, Front Pipe (3)	01-0		YL8Z 9450 AA	\$10.75
	05-07		5L8Z 9450 CA	\$13.83
7 Converter, Catalytic				
	2001	1.0	YL8Z 5E212 AA	\$833.33
	2002			
To 11-4-01		1.0	YL8Z 5E212 AA	\$833.33
From 11-5-01		1.0	2L8Z 5E212 AA	\$583.33
2003-04		1.0	2L8Z 5E212 AA	\$583.33
2005-06		1.0	6L8Z 5E212 C	\$666.67
	2007	1.0	7L8Z 5E212 DA	\$791.67
8 Shield, Upr Converter Heat			YL8Z 5F223 AA	\$28.33
9 Shield, Lwr Converter Heat			YL8Z 5E258 AA	\$29.68
10 Resonator	01-0	.8	YL8Z 5230 CA	\$254.45
	05-0	.8	6L8Z 5230 B	\$246.09
	07	.8	6L8Z 5230 B	\$246.09
11 Gskt, Muffler	01-0		YL8Z 9450 AA	\$10.75
	05-07		5L8Z 9450 CA	\$13.83
12 Muffler	01-0	.8	YL8Z 5A212 AA	\$270.39
	05-0	.8	5L8Z 5A212 AC	\$223.85



2001 Ford Escape XLT Utility

**EMISSION SYSTEM**

2.0L ENG  
2001-04

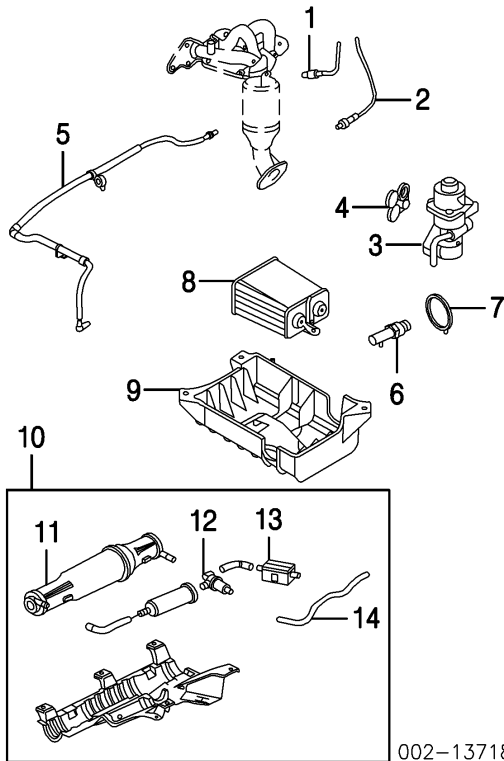


002-10067  
Sensor, Oxygen

1	Upper	#.5	YL8Z 9F472 AA	\$131.27
2	Lower	#.5	YL8Z 9G444 BA	\$141.07
#R&R Both .8				
3	Valve, EGR	#1.2	XS8Z 9D475 DA	\$148.89
4	Tube, EGR	01-0 #1.2	YL8Z 9D477 BA	\$86.15
		03-0 #1.2	3L8Z 9D477 BA	\$65.98
#R&R Complete				
5	Regulator, EGR Vacuum	.3	F63Z 9J459 AA	\$31.65
6	Module, Vacuum Control	.3	YL8Z 9C915 AA	\$68.93
7	Canister, Vapor	.7	F6DZ 9D653 BA	\$147.36
8	Brkt, Canister		YL8Z 9D665 BB	\$73.00

2.3L ENG  
2005-07

2001 Ford Escape XLT Utility



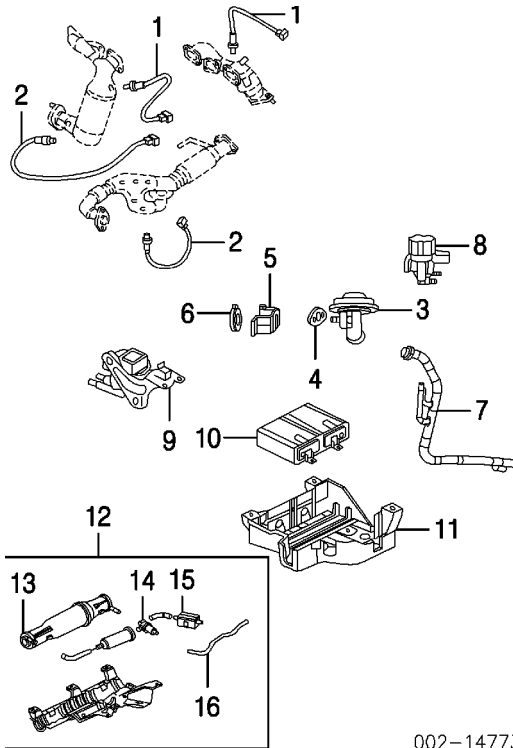
Sensor, Oxygen

1	Upper	.5	5L8Z 9F472 BA	\$133.24
2	Lower¶	.5	5W6Z 9G444 BA	\$105.80
¶Order by Application				
3	Valve, EGR	1.2	1S7Z 9D475 AA	\$67.98
4	Gskt, EGR Valve		3S4Z 9D476 AD	\$34.84
5	Tube, EGR		5L8Z 9E498 AA	\$29.32
6	Tube, Connecting		1S7Z 9E470 AA	\$12.82
7	Seal, Tube		1S7Z 9J469 AA	\$5.48
8	Canister, Vapor¶	.7	N.A.	
9	Brkt, Canister¶		YL8Z 9D665 AB	\$58.98
¶Order by Application				
10	Tank Assy, Recovery	.7	5L8Z 9D653 BB	\$329.80
11	Hose, Vapor (a)		5L8Z 9S327 AA	\$215.69
12	Solenoid, Canister (a)	05-07	.4 1C2Z 9F945 AA	\$74.53
			.4 6L3Z 9F945 A	\$61.67
13	Separator, Vapor (a)		XF2Z 9B328 AA	\$22.98
14	Tube, Vapor (a)	05-06	YL8Z 9K324 BC	\$18.38
		07	5L8Z 9D667 BA	\$124.98

(a) Included w/Recovery Tank Assy

3.0L ENG

2001 Ford Escape XLT Utility



002-14777

Sensor, Oxygen				
1	Upper	01-0 R #.5	YL8Z 9F472 BA	\$127.33
		L #.5	YL8Z 9F472 AA	\$131.27
		07 R #.5	5C5Z 9F472 AA	\$109.71
		L #.5	5C5Z 9F472 AA	\$109.71
2	Lower	01-0 R #.5	N.A.	
		L #.5	YL8Z 9G444 AC	\$123.42
		07 R #.5	5L8Z 9G444 F	\$98.69
		L #.5	5M6Z 9G444 A	\$103.84
	#R&R Both One Side .8			
3	Valve, EGR	01-0 #.7	YL8Z 9D475 EA	\$122.80
		05-0 #.7	XR1Z 9D475 BA	\$77.18
4	Gskt, EGR Valve	#.7	E6AZ 9D476 B	\$3.55
5	Tube, Connecting	#.7	YL8Z 9E470 CA	\$60.48
6	Seal, Tube	#.7	YL8Z 9J469 AA	\$7.32
7	Tube, EGR	01-0 #.7	YL8Z 9D477 HA	\$67.82
		03-0 #.7	2L8Z 9D477 AA	\$49.48
		05-0 #.7	4L8Z 9D477 CA	\$47.65
	#R&R Complete			
8	Regulator, EGR Vacuum	.3	F63Z 9J459 AA	\$31.65
9	Module, Vacuum Control	.3	YL8Z 9C915 AA	\$68.93
	¶Order by Application			
10	Canister, Vapor	.7	F6DZ 9D653 BA	\$147.36

2001 Ford Escape XLT Utility

11 Brkt, Canister			YL8Z 9D665 BB	\$73.00
12 Tank Assy, Recovery	07	.7	7L8Z 9D653 C	\$329.80
13 Hose, Vapor (a)	07		5L8Z 9D667 BA	\$124.98
14 Solenoid, Canister (a)	07		6L3Z 9F945 A	\$61.67
15 Separator, Vapor (a)	07		XF2Z 9B328 AA	\$22.98
16 Tube, Vapor (a)	07		5L8Z 9S327 AA	\$215.69

(a) Included w/Recovery Tank Assy

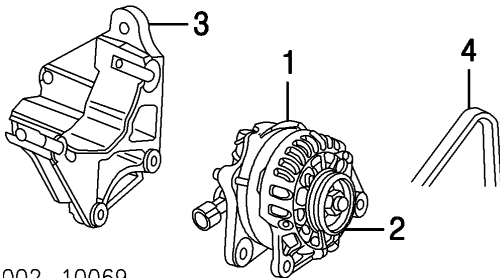
2001 Ford Escape XLT Utility

**ELECTRICAL**

**ALTERNATOR**

2.0L ENG

2001-04



002-10069

1 Alternator

.9 1L8Z 10V346 ABRM \$223.02

2 Pulley, Alternator-Serviced w/Alternator

3 Brkt, Alternator

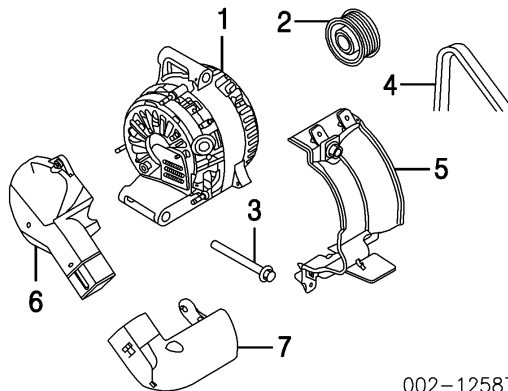
F8RZ 10A313 AA \$52.29

4 Belt, Drive-See Cooling Section

**ALTERNATOR**

2.3L ENG

2005-07



002-12587

1 Alternator

Man Trans

1.3 6L8Z 10346 CB \$437.13

Auto Trans

1.3 6L8Z 10346 BB \$280.38

2 Pulley, Alternator

1L2Z 10344 AB \$25.47

3 Bolt, Mounting (3)

2005

To 8-2-04

\* W500130 S309 \$7.00

From 8-3-04

\* W710886 S439 \$1.50

2006-07

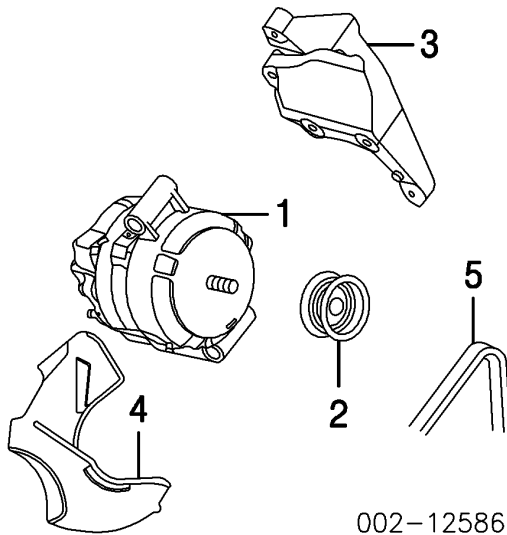
\* W710886 S439 \$1.50

2001 Ford Escape XLT Utility

4 Belt, Drive-See Cooling Section

5 Shield, Splash Duct, Air	6L8Z 10317 A	\$16.98
6 Upper	.4 5L8Z 10C392 CA	\$41.60
7 Lower	.3 5L8Z 10C392 DA	\$40.70

**ALTERNATOR**  
3.0L ENG  
2001-04

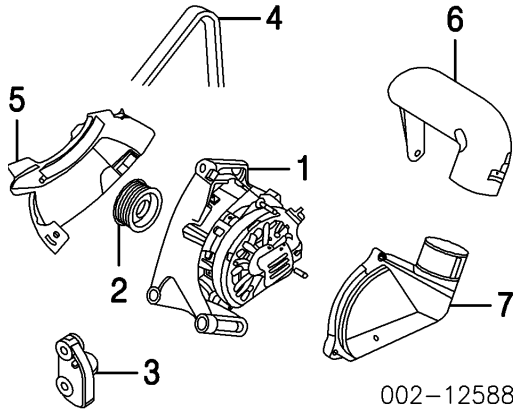


1 Alternator	2.4 1L8Z 10346 CB	\$382.33
2 Pulley, Alternator	F6ZZ 10344 A2A	\$30.16
3 Brkt, Alternator	XS2Z 10A313 BA	\$52.28
4 Shield, Splash	4L8Z 10317 AA	\$121.00

5 Belt, Drive-See A/C /Heater/Ventilation Section

**ALTERNATOR**  
3.0L ENG  
2005-07

2001 Ford Escape XLT Utility



- 1 Alternator
- 2 Pulley, Alternator

2.4 6L8Z 10346 AB \$369.60

2005

- To 8-16-04
- From 8-17-04
- 2006-07

- 3 Bracket, Mtg

F5OZ 10344 D \$25.44  
 F5OY 10344 FA \$27.42  
 F5OY 10344 FA \$27.42  
 4L8Z 10A313 AA \$38.20

- 4 Belt, Drive-See Cooling Section

- 5 Shield, Splash  
Duct, Air

5L8Z 10317 AA \$48.00

- 6 Upper

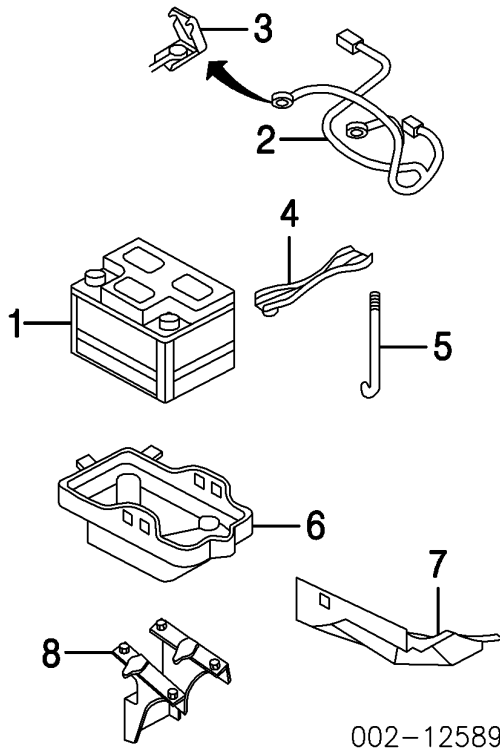
.4 5L8Z 10C392 BA \$18.25

- 7 Lower

.5 5L8Z 10C392 AA \$27.98

**BATTERY**

2001 Ford Escape XLT Utility



002-12589

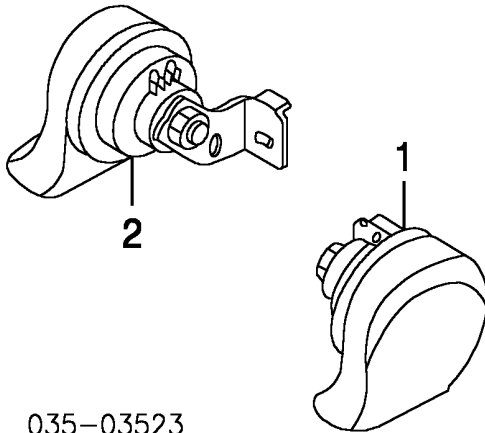
1 Battery		.2	N.A.	
2 Cable Set, Battery				
2.0L Eng				
Man Trans				
2WD		.8	2L8Z 14300 DA	\$69.98
4WD				
	2001	.8	2L8Z 14300 CA	\$71.76
	2002			
	To 6-17-02	.8	2L8Z 14300 CA	\$71.76
	From 6-18-02	.8	2L8Z 14300 CA	\$71.76
	2003-04	.8	2L8Z 14300 CA	\$71.76
Auto Trans	01-0	.8	2L8Z 14300 BA	\$66.40
2.3L Eng	05-0	.8	5L8Z 14300 AA	\$85.20
3.0L Eng	01-0	.8	2L8Z 14300 AA	\$55.60
	05-0	.8	5L8Z 14300 CA	\$66.40
3 Cover, Terminal				
Positive			F75Z 14277 CA	\$4.98
Negative			F75Z 14277 BA	\$6.00
4 Hold-Down, Battery			YL8Z 10718 AA	\$8.98
5 Bolt, Battery (2)			* W707139 S439	\$23.00
6 Tray, Battery				
2.0L Eng	01-0	#.4	YL8Z 10732 AA	\$24.98
2.3L Eng	05-0	#.4	YL8Z 10732 AA	\$24.98



2001 Ford Escape XLT Utility

3.0L Eng	#.4	YL8Z 10732 BA	\$24.98
#Includes R&R Battery			
7 Supt, Upr Battery Tray		5L8Z 10769 AA	\$18.98
8 Supt, Lwr Battery Tray-See Front Inner Structure Section			

HORN

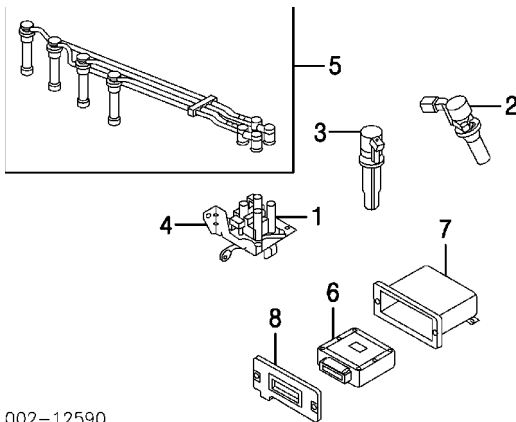


035-03523

1 Horn, High Note	01-0 #.3	2W7Z 13800 AA	\$48.63
	05-0 #.3	2W7Z 13800 AA	\$48.63
2 Horn, Low Note	01-0 #.2	YL8Z 13832 AB	\$54.03
	05-0 #.2	5L8Z 13832 AA	\$33.72

#w/Front Cover Assy Removed

IGNITION



002-12590

R&R Ignition Coils Complete

2.3L Eng

3.0L Eng

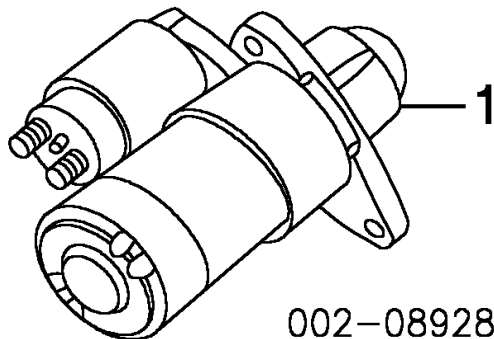
	.7
R	1.6
L	.6

Coil, Ignition

2001 Ford Escape XLT Utility

1	2.0L Eng	01-0	.7	988Z 12029 A	\$137.02
2	2.3L Eng, (4)	05-0	.4	4M5Z 12029 B	\$120.36
3	3.0L Eng, (3/Side)	01-0 R	1.2	1L8Z 12029 AB	\$138.87
		L	.4	1L8Z 12029 AB	\$138.87
		07 R	.4	6E5Z 12029 BA	\$96.20
		L	.4	6E5Z 12029 BA	\$96.20
4	Bracket, Coil				
	2.0L Eng	01-0		XS8Z 12257 AA	\$14.98
5	Wire Set, Ignition				
	2.0L Eng	01-0	.5	XS2Z 12259 AA	\$80.03
6	Module, Engine Control				
	2.0L Eng				
	2001-02		.6	1U7Z 12A650 ANA	\$512.06
	2003¶		.6	3L8Z 12A650 AEA	\$562.62
		2004	.6	N.A.	
	2.3L Eng¶				
	Man Trans	05-0	.6	5L8Z 12A650 NH	\$678.29
		07	.6	7L8Z 12A650 AMD	\$765.14
	Auto Trans	05-0	.6	5L8Z 12A650 FK	\$693.28
		07	.6	7L8Z 12A650 AKC	\$512.17
	3.0L Eng¶	01	.6	1L8Z 12A650 AC	\$512.06
		02	.6	2U7Z 12A650 CZD	\$662.29
		03	.6	3U7Z 12A650 EPA	\$662.29
		04	.6	3L8Z 12A650 AGA	\$601.75
		05	.6	5L8Z 12A650 LH	\$765.14
		06	.6	5L8Z 12A650 SF	\$765.14
		07	.6	7L8Z 12A650 ASB	\$512.17
	¶Order by Application				
7	Brkt, Module			1L8Z 12A659 DA	\$89.05
8	Cover, Module			1L8Z 12B523 AA	\$14.42

**STARTER**



1	Motor, Starter				
	2.0L Eng	01-0	1.5	F3RZ 11002 BRM	\$178.42
	2.3L Eng	05-0	1.5	6S4Z 11002 AA	\$254.88

2001 Ford Escape XLT Utility

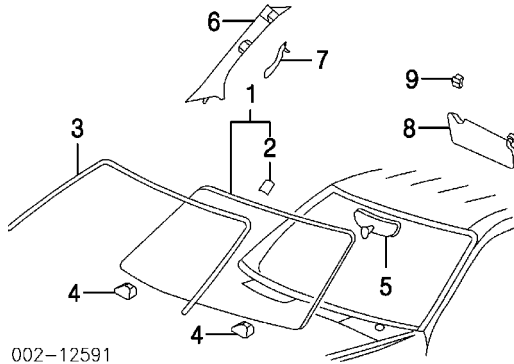
3.0L Eng

01-0	1.8 YS8Z 11002 AARM	\$184.78
05-0	1.8 5L8Z 11002 AA	\$280.37

2001 Ford Escape XLT Utility

**WINDSHIELD**

Procedure 13



002-12591

**R&I Windshield**

#2.6

#Includes Clean Up Old Adhesive as Necessary

1 Glass Assy, Windshield

Ford

2001-02

#2.3

YL8Z 7803100 AA

\$215.33

2003

To 12-1-02

#2.3

YL8Z 7803100 AA

\$215.33

From 12-2-02

#2.3

5L8Z 7803100 AA

\$232.77

2004-07

#2.3

5L8Z 7803100 AA

\$232.77

NAGS

2001-02

Green

#2.3

DW01397GTY

\$249.30

Green/Blue Shade

#2.3

DW01397GBY

\$249.30

2003

To 12-1-02

Green

#2.3

DW01397GTY

\$249.30

Green/Blue Shade

#2.3

DW01397GBY

\$249.30

From 12-2-02

#2.3

DW01579GTY

\$249.30

2004-07

#2.3

DW01579GTY

\$249.30

#Includes Clean Up Old Adhesive as Necessary

2 Brkt, Mirror

.2 F7AZ 17698 BA

\$20.00

¶Included w/Windshield Glass Assy

Adhesive, Glass

N.A.

3 Mldg, Windshield

YL8Z 7803144 AA

\$96.00

4 Stop, Glass

R

YL8Z 78030A12 AA

\$9.13

L

YL8Z 78030A12 AA

\$9.13

5 Mirror, Rear View

Manual

.2 6U5Z 17700 B

\$24.22

2001 Ford Escape XLT Utility

Electrochromic			
Factory Installed	03-0	.2 3L8Z 17700 AA	\$184.87
	05-0	.2 1L2Z 17700 AA	\$125.60
	07	6U5Z 17700 EA	\$132.23
Dealer Installed			
2001-03			
w/Temperature Display		.2 XF2Z 17700 A	\$427.14
w/o Temperature Display		.2 F6AZ 17700 A	\$284.29
2004-07			
w/Temperature Display			
w/Homelink		.2 4L3Z 17700 B	\$392.86
w/o Homelink		.2 XF2Z 17700 A	\$427.14
w/o Temperature Display			
w/Homelink		.2 4L3Z 17700 A	\$464.29
w/o Homelink		.2 F6AZ 17700 A	\$284.29
6 Garnish, Inside Windshield			
2001-02			
Black	02 R	.2 1L8Z 7803598 AAC	\$33.25
	L	.2 1L8Z 7803599 AAC	\$33.25
Graphite	R	.2 YL8Z 7803598 AAB	\$33.25
	L	.2 YL8Z 7803599 AAB	\$56.55
Parchment	R	.2 YL8Z 7803598 AAA	\$33.25
	L	.2 YL8Z 7803599 AAA	\$33.42
2003-04			
Flint	R	.2 1L8Z 7803598 AAB	\$39.90
	L	.2 1L8Z 7803599 AAB	\$39.90
Pebble	R	.2 1L8Z 7803598 AAA	\$52.18
	L	.2 1L8Z 7803599 AAA	\$27.50
2005-07			
Flint	R	.2 6L8Z 7803598 AAB	\$31.90
	L	.2 6L8Z 7803599 AAB	\$44.48
Pebble	R	.2 6L8Z 7803598 AAA	\$31.90
	L	.2 6L8Z 7803599 AAA	\$25.82
7 Handle, Pillar Assist			
2001-02			
Black	02 R	.1 YL8Z 7831406 BAC	\$53.50
	L	.1 YL8Z 7831407 BAC	\$33.03
Graphite	R	.1 YL8Z 7831406 BAB	\$37.65
	L	.1 YL8Z 7831407 BAB	\$41.92
Parchment	R	.1 YL8Z 7831406 BAA	\$52.28
	L	.1 YL8Z 7831407 BAA	\$58.20
2003-04			

2001 Ford Escape XLT Utility

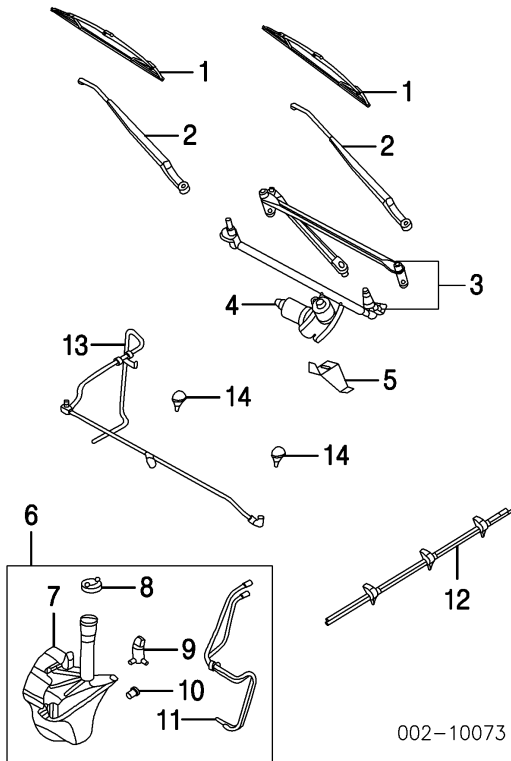
Flint	R	.1	3L8Z 7831406 BAB	\$40.70
	L	.1	3L8Z 7831407 BAB	\$37.50
Pebble	R	.1	3L8Z 7831406 BAA	\$37.50
	L	.1	3L8Z 7831407 BAA	\$31.25
2005				
To 4-14-04				
Flint	R	.1	5L8Z 7831406 AAB	\$34.08
	L	.1	5L8Z 7831407 AAB	\$33.50
Pebble	R	.1	5L8Z 7831406 AAA	\$38.77
	L	.1	5L8Z 7831407 AAA	\$34.00
From 4-15-04				
Flint	R	.1	5L8Z 7831406 AAD	\$33.77
	L	.1	5L8Z 7831407 AAD	\$32.92
Pebble	R	.1	5L8Z 7831406 AAC	\$32.92
	L	.1	5L8Z 7831407 AAC	\$32.92
2006-07				
Flint	R	.1	5L8Z 7831406 AAB	\$34.08
	L	.1	5L8Z 7831407 AAB	\$33.50
Pebble	R	.1	5L8Z 7831406 AAA	\$38.77
	L	.1	5L8Z 7831407 AAA	\$34.00
8 Visor, Sun (a)				
2001				
XLS Model				
2WD	R	.2	YL8Z 7804104 JAA	\$61.63
	L	.2	YL8Z 7804105 DAA	\$83.30
4WD	R	.2	YL8Z 7804104 JAA	\$61.63
	L	.2	YL8Z 7804105 MAA	\$92.00
XLT Model				
2WD	R	.2	3L8Z 7804104 CA	\$96.47
	L	.2	YL8Z 7804105 AAA	\$98.42
4WD	R	.2	3L8Z 7804104 CA	\$96.47
	L	.2	YL8Z 7804105 NAA	\$116.75
2002				
XLS Model				
To 11-4-01				
2WD	R	.2	YL8Z 7804104 JAA	\$61.63
	L	.2	YL8Z 7804105 DAA	\$83.30
4WD	R	.2	YL8Z 7804104 JAA	\$61.63
	L	.2	YL8Z 7804105 MAA	\$92.00
From 11-5-01				
2WD	R	.2	3L8Z 7804104 CA	\$96.47
	L	.2	YL8Z 7804105 AAA	\$98.42
4WD	R	.2	3L8Z 7804104 CA	\$96.47
	L	.2	YL8Z 7804105 NAA	\$116.75
XLT Model				
2WD	R	.2	3L8Z 7804104 CA	\$96.47

2001 Ford Escape XLT Utility

	L	.2 YL8Z 7804105 AAA	\$98.42
4WD	R	.2 3L8Z 7804104 CA	\$96.47
	L	.2 YL8Z 7804105 NAA	\$116.75
2003-04			
Illuminated			
2WD	R	.2 3L8Z 7804104 AA	\$123.93
	L	.2 3L8Z 7804105 CAA	\$181.67
4WD	R	.2 3L8Z 7804104 AA	\$123.93
	L	.2 3L8Z 7804105 BAA	\$165.17
Non-Illuminated			
2WD	R	.2 3L8Z 7804104 CB	\$96.47
	L	.2 YL8Z 7804105 AAC	\$88.50
4WD	R	.2 3L8Z 7804104 CB	\$96.47
	L	.2 YL8Z 7804105 NAC	\$74.30
2005-07			
Illuminated			
	R	.2 5L8Z 7804104 DAA	\$118.52
	L	.2 5L8Z 7804105 DAA	\$145.97
Non-Illuminated			
	R	.2 5L8Z 7804104 AAA	\$92.57
	L	.2 5L8Z 7804105 CAA	\$84.60
(a) Order by Application			
9 Clip, Visor			
2001-02			
Graphite	R	YL8Z 7804132 AAB	\$9.22
	L	YL8Z 7804132 AAB	\$9.22
Parchment	R	YL8Z 7804132 AAA	\$7.68
	L	YL8Z 7804132 AAA	\$7.68
2003-04			
Flint	R	3L8Z 7804132 AAB	\$7.93
	L	3L8Z 7804132 AAB	\$7.93
Pebble	R	3L8Z 7804132 AAA	\$8.27
	L	3L8Z 7804132 AAA	\$8.27
2005-07			
Flint	R	5L8Z 7804132 AAB	\$10.30
	L	5L8Z 7804132 AAB	\$10.30
Pebble	R	5L8Z 7804132 AAA	\$5.28
	L	5L8Z 7804132 AAA	\$5.28

WIPER SYSTEM

2001 Ford Escape XLT Utility



002-10073

1 Blade, Wiper

Standard  
2001-03

R	.1	YL8Z 17528 AB	\$12.91
L	.1	YL8Z 17528 AB	\$12.91

2004

To 3-2-04

R	.1	YL8Z 17528 AB	\$12.91
L	.1	YL8Z 17528 AB	\$12.91

From 3-3-04

R	.1	5L8Z 17528 AB	\$12.91
L	.1	3L1Z 17528 AA	\$14.91

2005-06

R	.1	5L8Z 17528 AB	\$12.91
L	.1	3L1Z 17528 AA	\$14.91

2007

R	.1	6L8Z 17528 BA	\$12.91
L	.1	6L8Z 17528 AA	\$12.91

Premium

R	.1	2U2Z 17528 GA	\$9.98
L	.1	2U2Z 17528 GA	\$9.98

2 Arm, Wiper

2001-03

R	#.2	5L8Z 17526 BA	\$23.98
L	#.2	5L8Z 17527 BA	\$23.98

2004

To 2-17-04

R	#.2	5L8Z 17526 BA	\$23.98
L	#.2	5L8Z 17527 BA	\$23.98

From 2-18-04

R	#.2	5L8Z 17526 AA	\$23.98
L	#.2	5L8Z 17527 AA	\$23.98

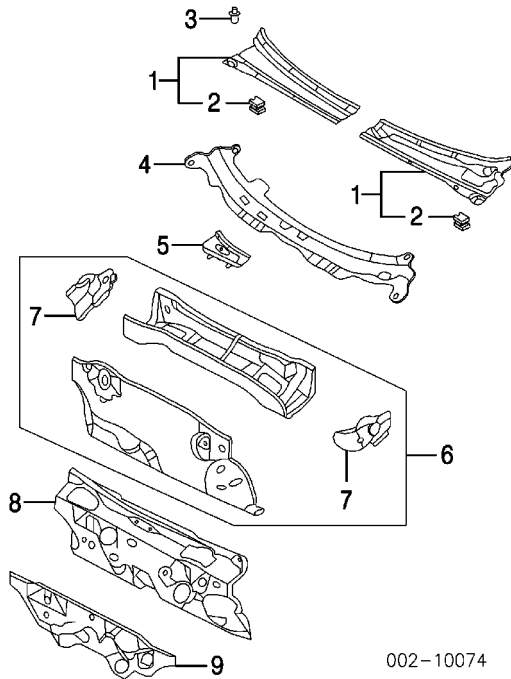


2001 Ford Escape XLT Utility

2005-07	R	#.2	5L8Z 17526 AA	\$23.98
	L	#.2	5L8Z 17527 AA	\$23.98
#Includes R&R Wiper Blade				
3 Link, Wiper		#.8	6L8Z 17508 B	\$97.78
4 Motor, Wiper		#.8	6L8Z 17508 AA	\$136.13
#R&R Complete				
5 Support, Motor			YL8Z 17596 AA	\$53.00
6 Reservoir Assy, Washer		#.7	7L8Z 17618 A	\$134.60
#Includes R&R Right Fender Liner				
7 Reservoir, Washer¶		#.8	YL8Z 17618 AA	\$67.32
#Includes R&R Right Fender Liner & Washer Pump				
8 Cap, Reservoir¶			F5RZ 17632 A	\$5.98
9 Pump, Washer (2)¶			7L8Z 17664 A	\$38.36
10 Grommet, Pump (2)¶			E6FZ 17B610 A	\$3.50
11 Hose, Reservoir¶			6L8Z 17A605 A	\$13.40
¶Included w/Washer Reservoir Assy				
12 Hose, Intermediate			YL8Z 17408 AA	\$14.98
Clip, Hose (a)			* W706723 S300	\$2.00
(a) As Required				
13 Hose, Washer				
2001-03			YL8Z 17K605 AA	\$11.98
		2004		
To 7-17-03			YL8Z 17K605 AA	\$11.98
From 7-18-03			3L8Z 17K605 AA	\$12.98
2005-07			5L8Z 17K605 AA	\$11.00
14 Nozzle, Washer	R	#.2	YL8Z 17603 AA	\$8.98
	L	#.2	YL8Z 17603 AA	\$8.98
#Included in R&R Hood				

## COWL & DASH

Procedures 14 and 28



Refinish Dash Panel  
Refinish Outer Cow Panel

				1.5	
				.5	
1 Grille Assy, Cowl					
Right	R	#.5	YL8Z 78022A68 AAA	\$90.52	
#Includes R&R Left Cowl Grille Assy					
Left	L	.4	YL8Z 78022A69 AAA	\$90.10	
2 Retainer, Cowl¶	R		F1CZ 5802316 A	\$2.61	
	L		F1CZ 5802316 A	\$2.61	
¶Included w/Cowl Grille Assy					
3 Clip, Cowl (4/Side)	R		* W705845 S300	\$1.75	
	L		* W705845 S300	\$1.75	
4 Panel, Outer Cowl	01-0	3.5	YL8Z 7802012 AA	\$101.50	
	05-0	3.5	7L8Z 7802012 A	\$162.77	
	07	3.5	YL8Z 7802012 AA	\$101.50	
5 Baffle, Cowl	R	.5	YL8Z 78020K70 AA	\$51.48	
6 Panel Assy, Dash	01-0	#15.5	YL8Z 7801610 AA	\$631.77	
	05-0	#15.5	6L8Z 7801610 A	\$592.00	
	07	#15.5	6L8Z 7801610 A	\$592.00	

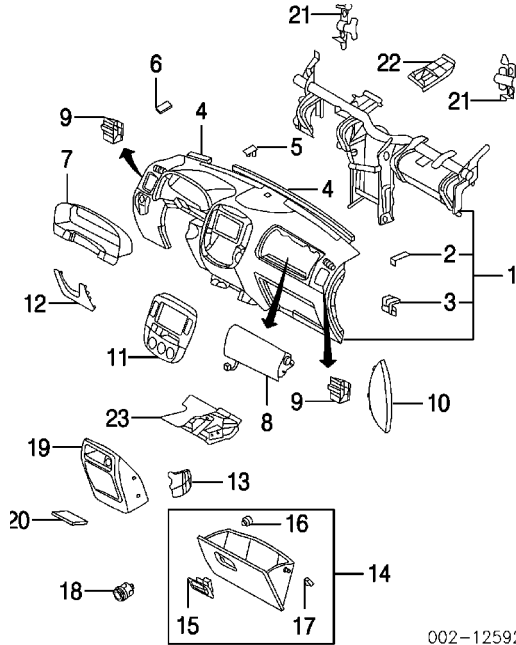
#Includes R&R Outer Cowl Panel

2001 Ford Escape XLT Utility

7 Panel, Side Cowl (a)	R	1.0	YL8Z 7802038 BA	\$50.88
	L	1.0	YL8Z 7802039 BA	\$42.50
(a) Included w/Dash Panel Assy				
8 Insulator, Inner Dash				
2001-02			YL8Z 7801670 AA	\$171.57
	2003		1L8Z 7801670 AA	\$274.52
	2004			
To 1-5-04			5L8Z 7801670 A	
From 1-6-04			5L8Z 7801670 A	
2005-06			5L8Z 7801670 A	
	2007		6L8Z 7801670 B	\$171.30
9 Insulator, Outer Dash	01-0		YL8Z 7801588 AA	\$63.90
	07		5L8Z 7801588 AA	\$55.72

## INSTRUMENT PANEL

### Procedure 14



### R&I Instrument Panel

3.5

NOTE: All Parts in this section are included in R&R Instrument Panel unless noted otherwise.

#### 1 Panel Assy, Instrument

2001-02

Black	02	5.0	YL8Z 7804320 GA	\$2,164.50
Graphite		5.0	YL8Z 7804320 GA	\$1,979.07
Parchment		5.0	YL8Z 7804320 GA	\$1,473.62

2003

Black		5.0	YL8Z 7804320 GA	\$2,164.50
Flint				
To 12-1-02		5.0	3L8Z 7804320 CA	\$1,614.42
From 12-2-02		5.0	3L8Z 7804320 CA	\$1,820.43
Pebble		5.0	3L8Z 7804320 CA	\$1,820.43

2004

Black		5.0	YL8Z 7804320 GA	\$2,164.50
Flint		5.0	3L8Z 7804320 CA	\$1,820.43
Pebble		5.0	3L8Z 7804320 CA	\$1,820.43

2005-07

w/Auto H/Lamp Control

Black		5.0	5L8Z 7804320 EA	\$1,801.82
Pebble		5.0	5L8Z 7804320 EA	\$1,107.42

w/o Auto H/Lamp Control

2001 Ford Escape XLT Utility

Flint		5.0	5L8Z 7804320 CAB	\$1,786.73
Pebble		5.0	5L8Z 7804320 CAC	\$1,786.73
2 Reinf, Ctr Panel			YL8Z 78046B52 AA	\$12.27
3 Striker, Glove Box		.2	YL8Z 7806064 AA	\$19.68
¶ Included w/Instrument Panel Assy				
4 Seal, Inst Panel	R		YL8Z 78046B80 AA	\$6.82
	L		YL8Z 78046B80 BA	\$5.23
5 Cover, Upper Inst Panel				
2001-02				
Black	02		YL8Z 78044F58 AAC	\$13.80
Graphite			YL8Z 78044F58 AAB	\$6.82
Parchment			YL8Z 78044F58 AAA	\$7.52
2003-06				
Black			YL8Z 78044F58 AAC	\$13.80
Flint	03-04		3L8Z 78044F58 AAB	\$7.28
	05-07		3L8Z 78044F58 AAC	\$15.53
Pebble			3L8Z 78044F58 AAA	\$15.53
6 Cover, Inst Panel				
w/Auto H/Lamp Control				
Black	05-07		5L8Z 78044F58 AAA	\$17.92
Pebble	05-07		5L8Z 78044F58 AAC	\$21.50
7 Panel, Cluster Trim				
2001-04		.2	YL8Z 78044D70 CAA	\$76.23
2005-07				
Black		.2	YL8Z 78044D70 CAA	\$76.23
Pebble		.2	5L8Z 78044D70 AAA	\$49.17
8 Module, Pass Air Bag-See Air Bag System Section				
9 Vent, Side Air				
2001-02				
Graphite	R	.1	YL8Z 19893 AAC	\$45.07
	L	.1	YL8Z 19893 AAC	\$45.07
Parchment	R	.1	YL8Z 19893 AAB	\$43.93
	L	.1	YL8Z 19893 AAB	\$43.93
				2003
Black	R	.1	4L8Z 19893 AAA	\$43.93
	L	.1	4L8Z 19893 AAA	\$43.93
Flint				
To 12-2-02	R	.1	3L8Z 19893 AAA	\$49.57
	L	.1	3L8Z 19893 AAA	\$49.57
From 12-3-02	R	.1	4L8Z 19893 AAB	\$40.80
	L	.1	4L8Z 19893 AAB	\$40.80
Pebble	R	.1	4L8Z 19893 AAC	\$44.00
	L	.1	4L8Z 19893 AAC	\$44.00

2001 Ford Escape XLT Utility

2004-07					
Black	R	.1	4L8Z 19893 AAA	\$43.93	
	L	.1	4L8Z 19893 AAA	\$43.93	
Flint	R	.1	4L8Z 19893 AAB	\$40.80	
	L	.1	4L8Z 19893 AAB	\$40.80	
Pebble	R	.1	4L8Z 19893 AAC	\$44.00	
	L	.1	4L8Z 19893 AAC	\$44.00	
10 Panel, Side Finish					
2001-02					
Black	R	.1	7L8Z 7804480 AA	\$18.33	
	L	.1	7L8Z 7804481 AA	\$22.18	
Graphite	R	.1	YL8Z 7804480 BAB	\$35.32	
	L	.1	YL8Z 7804481 BAB	\$29.17	
Parchment	R	.1	YL8Z 7804480 BAA	\$42.38	
	L	.1	YL8Z 7804481 BAA	\$31.80	
2003					
Black	R	.1	7L8Z 7804480 AA	\$18.33	
	L	.1	7L8Z 7804481 AA	\$22.18	
Flint					
	To 12-1-02	R	.1	3L8Z 7804480 BAB	\$16.43
	L	.1	3L8Z 7804481 BAB	\$12.22	
From 12-2-02	R	.1	7L8Z 7804480 AB	\$73.88	
	L	.1	7L8Z 7804481 AB	\$22.18	
Pebble	R	.1	7L8Z 7804480 AC	\$22.00	
	L	.1	7L8Z 7804481 AC	\$22.18	
2004-06					
Black	R	.1	7L8Z 7804480 AA	\$18.33	
	L	.1	7L8Z 7804481 AA	\$22.18	
Flint	R	.1	7L8Z 7804480 AB	\$73.88	
	L	.1	7L8Z 7804481 AB	\$22.18	
Pebble	R	.1	7L8Z 7804480 AC	\$22.00	
	L	.1	7L8Z 7804481 AC	\$22.18	
2007					
Black	R	.1	7L8Z 7804480 AA	\$18.33	
	L	.1	7L8Z 7804481 AA	\$22.18	
Flint	R	.1	7L8Z 7804480 AB	\$73.88	
	L	.1	7L8Z 7804481 AB	\$22.18	
Pebble	R	.1	7L8Z 7804480 AC	\$22.00	
	L	.1	7L8Z 7804481 AC	\$22.18	
11 Panel, Center Instrument					
2001-02					
2WD		.5	2L8Z 7804302 PAA	\$127.37	
4WD		.5	2L8Z 7804302 NAA	\$184.62	
2003-04					
XLS Model					
2WD		.5	2L8Z 7804302 PAA	\$127.37	

2001 Ford Escape XLT Utility

4WD	.5	2L8Z 7804302 NAA	\$184.62
XLT Model			
w/Rear Object Sensors			
2WD	.5	3L8Z 7804302 GAA	\$224.38
4WD	.5	3L8Z 7804302 FAA	\$347.95
w/o Rear Object Sensors			
2WD	.5	3L8Z 7804302 EAA	\$241.28
4WD	.5	3L8Z 7804302 DAA	\$279.32
Limited Model			
2WD	.5	3L8Z 7804302 GAA	\$224.38
4WD	.5	3L8Z 7804302 FAA	\$347.95

2005

To 8-2-04

XLS Model (a)			
2WD	.5	5L8Z 7804302 AAK	\$310.03
4WD	.5	5L8Z 7804302 AAM	\$305.58
XLT Model			
2WD	.5	5L8Z 7804302 AAG	\$203.57
4WD	.5	5L8Z 7804302 AAQ	\$344.88
Limited Model			
2WD	.5	5L8Z 7804302 AAL	\$218.75
4WD	.5	5L8Z 7804302 AAR	\$228.92

From 8-3-04 (a)

XLS Model			
2WD	.5	5L8Z 7804302 AAK	\$310.03
4WD	.5	5L8Z 7804302 AAM	\$305.58
XLT Model			
2WD	.5	5L8Z 7804302 AAS	\$258.37
4WD	.5	5L8Z 7804302 AAU	\$265.00
XLT Sport Model			
	.5	N.A.	
Limited Model			
2WD	.5	5L8Z 7804302 AAT	\$266.12
4WD	.5	5L8Z 7804302 AAV	\$244.58

2006-07

XLS Model			
2WD	.5	5L8Z 7804302 AAK	\$310.03
4WD	.5	5L8Z 7804302 AAM	\$305.58
XLT Model			
2WD	.5	5L8Z 7804302 AAS	\$258.37
4WD	.5	5L8Z 7804302 AAU	\$265.00
XLT Sport Model			
	.5	N.A.	
Limited Model			
2WD	.5	5L8Z 7804302 AAT	\$266.12
4WD	.5	5L8Z 7804302 AAV	\$244.58

(a) Order by Application

2001 Ford Escape XLT Utility

12 Panel, Lower Access

2001-02				
Black	L	.2	YL8Z 7804459 AAD	\$75.78
Graphite	L	.2	YL8Z 7804459 AAB	\$44.20
Parchment	L	.2	YL8Z 7804459 AAA	\$40.72
	2003			
Black	L	.2	YL8Z 7804459 AAD	\$75.78
Flint				
To 12-1-02	L	.2	3L8Z 7804459 AAB	\$37.02
From 12-2-02	L	.2	3L8Z 7804459 AAC	\$74.92
Pebble	L	.2	3L8Z 7804459 AAA	\$66.73
	2004			
Black	L	.2	YL8Z 7804459 AAD	\$75.78
Flint	L	.2	3L8Z 7804459 AAC	\$74.92
Pebble	L	.2	3L8Z 7804459 AAA	\$66.73
2005-07				
Black	L	.2	5L8Z 7804459 AAC	\$20.53
Flint	L	.2	5L8Z 7804459 AAD	\$20.53
Pebble	L	.2	5L8Z 7804459 AAE	\$24.60
13 Shield, Side Accelerator			.2 YL8Z 78045G02 AAA	\$19.53

14 Box Assy, Glove

2001-02				
Black	02	.2	YL8Z 7806024 BAC	\$155.63
Graphite		.2	YL8Z 7806024 BAB	\$488.87
Parchment		.2	YL8Z 7806024 BAA	\$160.18
	2003			
Black		.2	YL8Z 7806024 BAC	\$155.63
Flint				
To 12-1-02		.2	3L8Z 7806024 BAB	\$396.67
From 12-2-02		.2	3L8Z 7806024 BAC	\$462.32
Pebble		.2	3L8Z 7806024 BAA	\$454.22
2004-07				
Black		.2	YL8Z 7806024 BAC	\$155.63
Flint		.2	3L8Z 7806024 BAC	\$462.32
Pebble		.2	3L8Z 7806024 BAA	\$454.22
15 Latch, Glove Box (b)			.2 YL8Z 7806072 AAB	\$11.35

2001-02				
Black	02	.2	YL8Z 7806072 AAC	\$26.67
Graphite		.2	YL8Z 7806072 AAB	\$11.35
Parchment		.2	YL8Z 7806072 AAA	\$11.35
	2003			
Black		.2	YL8Z 7806072 AAC	\$26.67
Flint				
To 12-1-02		.2	3L8Z 7806072 AAB	\$12.18
From 12-2-02		.2	3L8Z 7806072 AAC	\$45.32
Pebble		.2	3L8Z 7806072 AAA	\$14.62

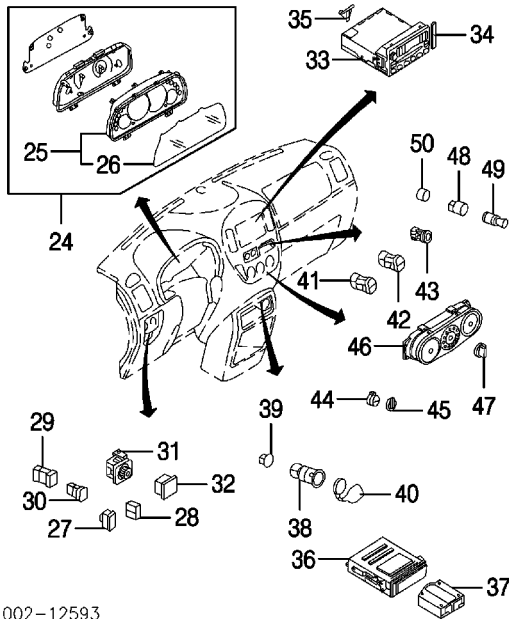


2001 Ford Escape XLT Utility

2004-06					
Black			.2	YL8Z 7806072 AAC	\$26.67
Flint			.2	3L8Z 7806072 AAC	\$45.32
Pebble			.2	3L8Z 7806072 AAA	\$14.62
		2007			
Black			.2	7L8Z 7806072 AB	\$28.78
Flint			.2	5L8Z 7806072 AAA	\$61.72
Pebble			.2	7L8Z 7806072 AA	\$28.73
16 Bumper, Glove Box (b)		R		* W705316 S300	\$2.25
		L		* W705316 S300	\$2.25
17 Pin, Glove Box (b)		R		YS4Z 6106066 AA	\$8.40
		L		YS4Z 6106066 AA	\$8.40
				(b) Included w/Glove Box Assy	
18 Cylinder, Lock			.2	F8DZ 5406082 AB	\$43.07
19 Compartment, Lower					
		2001			
w/CD Changer					
Graphite			.3	YL8Z 7813548 DAB	\$84.15
Parchment			.3	YL8Z 7813548 DAA	\$70.78
w/o CD Changer					
Graphite			.3	YL8Z 7813548 CAB	\$104.18
Parchment			.3	YL8Z 7813548 CAA	\$73.07
		2002			
Black			.3	YL8Z 7813548 CAC	\$173.70
Graphite			.3	YL8Z 7813548 CAB	\$104.18
Parchment			.3	YL8Z 7813548 CAA	\$73.07
		2003			
Black			.3	YL8Z 7813548 CAC	\$173.70
Flint					
To 12-1-02			.3	3L8Z 7813548 CAB	\$74.12
From 12-2-02			.3	3L8Z 7813548 CAC	\$88.93
Pebble			.3	3L8Z 7813548 CAA	\$88.93
20 Mat, Compartment		01		YL8Z 78046B46 AAA	\$10.85
21 Brkt, Instrument Panel		R	#.2	YL8Z 78043C50 AA	\$27.70
		L	#.2	YL8Z 78043C50 AA	\$27.70
Brkt, Ctr Crossbar					
22 2001-04			#.2	YL8Z 78045B00 AA	\$31.82
23 2005-07			#.2	5L8Z 78045B00 AA	\$36.42

#w/Instrument Panel Removed, Not Included in R&R Instrument Panel

2001 Ford Escape XLT Utility



002-12593

24 Cluster Assy, Instrument

	2001		.5 YL8Z 10849 AA	\$332.06
	2002			
To 12-20-01			.5 YL8Z 10849 AA	\$332.06
From 12-21-01			.5 2L8Z 10849 AA	\$404.62
	2003			
To 12-1-02			.5 3L8Z 10849 AA	\$349.23
From 12-2-02			.5 3L8Z 10849 LA	\$349.23
	2004		.5 3L8Z 10849 LA	\$349.23
2005-06 (a)				
w/Message Center			.5 5L8Z 10849 RA	\$403.08
w/o Message Center			.5 5L8Z 10849 AA	\$378.46
	2007			
w/Message Center			.5 6M6Z 10849 AA	\$441.54
w/o Message Center			.5 6L8Z 10849 AA	\$358.46
(a) Order by Application				
25 Cover Assy, Meter (c)	01-0	#.7	YL8Z 10890 AA	\$20.40
	05-0	#.7	5L8Z 10890 AA	\$26.17
26 Lens, Meter (c) (d)				
2001-04		#.7	YL8Z 10887 AA	\$19.43
2005-07-Service w/Meter Cover Assy				

(c) Included w/Instrument Cluster Assy

(d) Included w/Meter Cover Assy

2001 Ford Escape XLT Utility

#R&R Complete			
27	Holder, Coin		YL8Z 19K357 EAA \$11.49
28	Switch, Dimmer	.2	YL8Z 11691 AA \$53.64
29	Switch, Fog Lamp		
	2001-04	.2	YL8Z 15A214 AAA \$16.20
		2005	
	To 12-10-04	.2	5L8Z 15A214 CAA \$26.98
	From 12-11-04	.2	5L8Z 15A214 DA \$27.00
	2006-07	.2	5L8Z 15A214 DA \$27.00
30	Plug, Fog Lamp Switch	01-0	YL8Z 19K357 AAA \$6.60
		07	5L8Z 19K357 AAA \$9.29
31	Switch, Mirror	.2	3L8Z 17B676 BAA \$21.98
32	Plug, Hole	01-0	YL8Z 19K357 CAA \$6.53
		07	YL8Z 19K357 EAA \$11.49
33	Radio (a)		
	AM-FM-Cassette-CD	.5	YL8Z 18806 BA \$636.31
	AM-FM-CD Changer	.5	YL2Z 18806 BA \$798.48
34	Cap, Radio (a)		YL8Z 18K854 AA \$13.77
	(a) Order by Application		
35	Brkt, Radio Mtg		
	AM-FM-Cassette-CD	.5	YL2Z 18888 AA \$4.37
	AM-FM-CD Changer	.5	YL2Z 18888 AA \$4.37
	AM-FM-CD	.5	F5DZ 18888 BA \$6.56
36	CD Changer	.5	YL8Z 18D806 AA \$597.49
37	Magazine		YL8Z 18C833 AA \$136.85
38	Socket, Aux Power		1L2Z 19N236 BA \$12.00
39	Ring, Aux Socket	01-0	1L2Z 15K040 AB \$14.39
		04-06	F81Z 15K040 AA \$11.66
		07	1L2Z 15K040 AB \$14.39
40	Cover, Aux Power		YL8Z 19A487 AAA \$6.50
41	Switch, Parking Aid Disable		
		2005	
	To 12-13-04	.2	YC1Z 11523 AB \$34.04
	From 12-14-04	.2	N.A.
	2006-07	.2	N.A.
42	Switch, Defroster		
	2003-04	.2	YL8Z 18C621 AA \$25.62
		2005	
	To 12-13-04	.2	YL8Z 18C621 AA \$25.62
	From 12-14-04	.2	5L8Z 18578 BAA \$25.00
	2006-07	.2	5L8Z 18578 BAA \$25.00
43	Switch, Hazard	.2	YL8Z 13350 BB \$48.96
44	Switch, 4WD Cont	.2	XL2Z 2B949 BA \$50.77
45	Knob, 4WD Cont		YL8Z 11661 AAA \$9.27
46	Control, Temp (a)		
	w/ A/C	.7	YL8Z 19980 AA \$49.50

2001 Ford Escape XLT Utility

w/o A/C		.7 YL8Z 18549 AA	\$69.95
(a) Order by Application			
47 Knob, Control Unit (3)		YL8Z 18519 AA	\$10.10
48 Lighter, Cigarette	01-0	1L2Z 15055 AB	\$13.04
	04-07	XC3Z 15055 AA	\$11.59
49 Element, Lighter	01-0	6W1Z 15052 A	\$9.14
	04-07	3L8Z 15052 AA	\$8.54
50 Ring, Lighter	01-0	1L2Z 15K040 AA	\$14.17
	04-07	F81Z 15K040 AA	\$11.66
Harness, Wiring	#	N.A.	

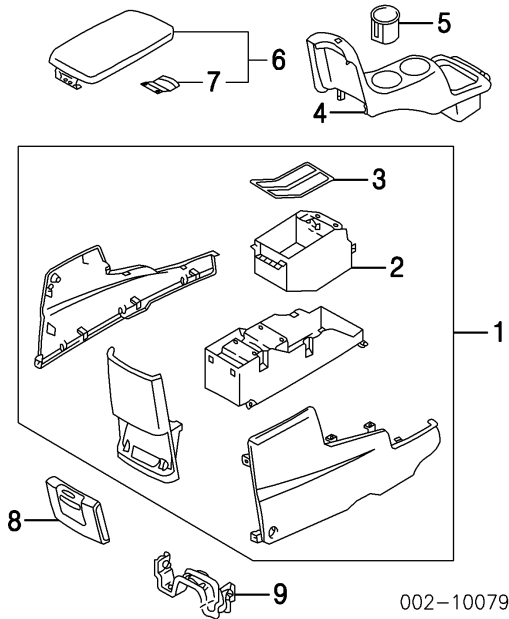
#Not Included in R&R Instrument Panel

## CENTER CONSOLE

### Procedure 14

### W/ARMREST

2001-04



### R&I Center Console

.4

NOTE: All Parts in this section are included in R&R Center Console Assy unless noted otherwise.

#### 1 Console Assy, Center

2001-02

Black	02	.8	YL8Z 78045A36 CAC	\$555.08
Graphite		.8	YL8Z 78045A36 CAB	\$878.83
Parchment		.8	YL8Z 78045A36 CAA	\$952.30

2003

Black		.8	YL8Z 78045A36 CAC	\$555.08
Flint				
To 12-1-02		.8	3L8Z 78045A36 CAB	\$714.92
From 12-2-02		.8	3L8Z 78045A36 CAC	\$603.52
Pebble		.8	3L8Z 78045A36 CAA	\$815.78

2004

Black		.8	YL8Z 78045A36 CAC	\$555.08
Flint		.8	3L8Z 78045A36 CAC	\$603.52
Pebble		.8	3L8Z 78045A36 CAA	\$815.78

2 Tray, Inner

YL8Z 7806010 AAA \$158.07

3 Mat, Console

YL8Z 78045G34 AAA \$80.88

2001 Ford Escape XLT Utility

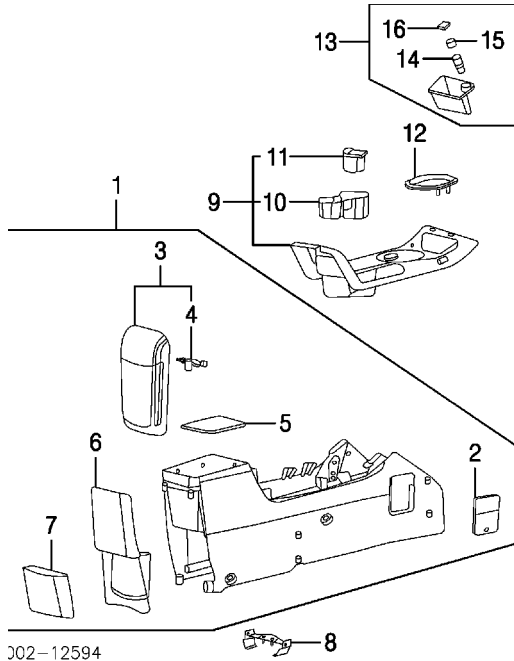
¶Included w/Center Console Assy

4 Panel, Frt Finish		.2	YL8Z 78045A76 DAA	\$212.68
5 Ashtray		.1	YL8Z 7804810 AAA	\$24.22
6 Lid Assy, Console				
2001-02				
Black	02	.2	YL8Z 7806024 AAC	\$235.27
Graphite		.2	YL8Z 7806024 AAB	\$221.22
Parchment		.2	YL8Z 7806024 AAA	\$298.12
2003				
Black		.2	YL8Z 7806024 AAC	\$235.27
Flint				
To 12-1-02		.2	3L8Z 7806024 AAB	\$126.67
From 12-2-02		.2	3L8Z 7806024 AAC	\$220.43
Pebble		.2	3L8Z 7806024 AAA	\$220.43
2004				
Black		.2	YL8Z 7806024 AAC	\$235.27
Flint		.2	3L8Z 7806024 AAC	\$220.43
Pebble		.2	3L8Z 7806024 AAA	\$220.43
Bumper, Rubber (a)				
Front	R		* W704739 S300	\$2.00
	L		* W704739 S300	\$2.00
Side	R		* W705316 S300	\$2.25
	L		* W705316 S300	\$2.25
7 Latch, Lid (a)		.2	YL8Z 7806162 AAA	\$24.52
(a) Included w/Console Lid Assy				
8 Holder, Cup				
2001-02				
Black	02		YL8Z 7813562 AAC	\$77.45
Graphite			YL8Z 7813562 AAB	\$75.53
Parchment			YL8Z 7813562 AAA	\$75.97
2003				
Black			YL8Z 7813562 AAC	\$77.45
Flint				
To 12-1-02			3L8Z 7813562 AAB	\$77.10
From 12-2-02			3L8Z 7813562 AAC	\$79.30
Pebble			3L8Z 7813562 AAA	\$77.10
2004				
Black			YL8Z 7813562 AAC	\$77.45
Flint			3L8Z 7813562 AAC	\$79.30
Pebble			3L8Z 7813562 AAA	\$77.10
9 Bracket, Console Mtg		#.1	YL8Z 78045B34 AA	\$14.42

#w/Center Console Removed, Not Included in R&R Center Console Assy

2001 Ford Escape XLT Utility

W/ARMREST  
2005-07



002-12594

R&I Center Console

.4

NOTE: All Parts in this section are included in R&R Center Console Assy unless noted otherwise.

1 Console Assy, Center			
Black		.8	5L8Z 78045A36 AAA\$613.80
Flint	05-0	.8	5L8Z 78045A36 AAB\$613.80
	07	.8	5L8Z 78045A36 AAA\$613.80
Pebble	05-0	.8	5L8Z 78045A36 AAC\$613.80
	07	.8	7L8Z 78045A36 AA
2 Cover, Side¶			
Black	R	.1	5L8Z 78047A62 AAA \$8.18
Flint	R	.1	5L8Z 78047A62 AAB \$8.18
Pebble	R	.1	5L8Z 78047A62 AAC \$7.82
3 Lid Assy, Console¶			
Black		.2	5L8Z 7806024 AAA \$166.55
Flint		.2	5L8Z 7806024 AAB \$166.55
Pebble		.2	5L8Z 7806024 AAC \$166.55
4 Latch (a)¶		.2	YL8Z 7806162 AAA \$24.52
(a) Included w/Console Lid Assy			
5 Mat, Console¶			5L8Z 78045G34 AAA \$8.82
6 Panel, Rear Console¶			
Black		.5	5L8Z 78045E24 AAA \$48.87

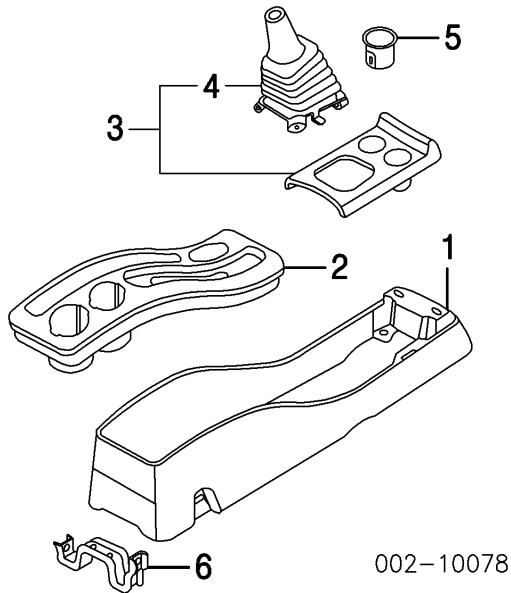
2001 Ford Escape XLT Utility

Flint	.5	5L8Z 78045E24 AAB	\$48.87
Pebble	.5	5L8Z 78045E24 AAC	\$41.28
7 Holder, Cup¶			
Black		5L8Z 7813562 AAB	\$70.40
Flint		5L8Z 7813562 AAC	\$81.00
Pebble		5L8Z 7813562 AAD	\$70.40
¶Included w/Center Console Assy			
8 Bracket, Console	#.1	5L8Z 78045B34 AA	\$18.40
#w/Center Console Removed, Not Included in R&R Center Console Assy			
9 Panel Assy, Console			
Black, Flint	.2	5L8Z 78045A76 AAA	\$129.63
Pebble	.2	5L8Z 78045A76 AAB	\$108.03
10 Holder, Cup (b)		5L8Z 7813562 AAA	\$18.00
11 Ashtray (b)		YL8Z 7804810 AAA	\$24.22
(b) Included w/Console Panel Assy			
12 Bezel, Shifter (d)			
Auto Trans			
Black	.1	5L8Z 7E391 AAA	\$20.68
Warm Steel	.1	5L8Z 7E391 BAA	\$21.10
(d) Order by Application			
13 Pocket Assy, Console		5L8Z 7813546 AAA	\$31.18
14 Socket, Power (c)		1L2Z 19N236 BA	\$12.00
15 Ring, Socket (c)		1L2Z 15K040 AB	\$14.39
16 Cover, Socket (c)		7L7Z 19A487 BA	\$6.13
(c) Included w/Console Pocket Assy			

W/O ARMREST  
MAN TRANS



2001 Ford Escape XLT Utility



R&I Center Console

.4

NOTE: All Parts in this section are included in R&R Center Console unless noted otherwise.

1 Console, Center

2001-02

Black	02	.8	YL8Z 78045A36 AAC	\$99.92
Graphite		.8	YL8Z 78045A36 AAB	\$102.53
Parchment		.8	YL8Z 78045A36 AAA	\$90.43

2003

Black		.8	YL8Z 78045A36 AAC	\$99.92
Flint				
To 12-1-02		.8	3L8Z 78045A36 AAB	\$65.78
From 12-2-02		.8	3L8Z 78045A36 AAC	\$221.82
Pebble		.8	3L8Z 78045A36 AAA	\$58.95

2 Panel, Upper Console

2001-02

Black	02	.2	YL8Z 78045E24 AAC	\$84.47
Graphite		.2	YL8Z 78045E24 AAB	\$140.52
Parchment		.2	YL8Z 78045E24 AAA	\$82.37

2003

Black		.2	YL8Z 78045E24 AAC	\$84.47
Flint				
To 12-1-02		.2	3L8Z 78045E24 AAB	\$135.45
From 12-2-02		.2	3L8Z 78045E24 AAC	\$75.43
Pebble		.2	3L8Z 78045E24 AAA	\$87.20

3 Panel Assy, Front Console

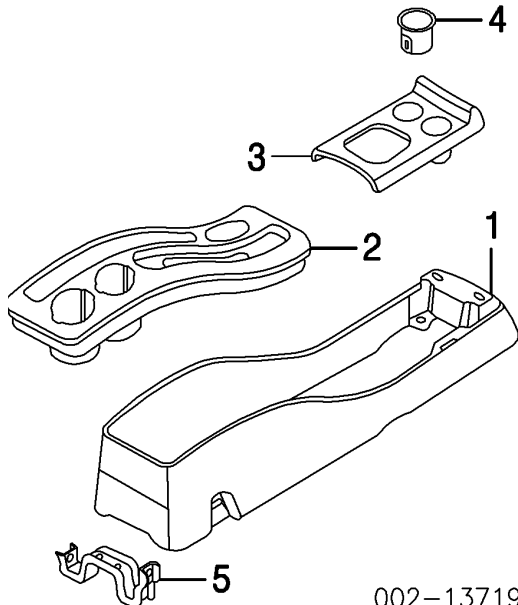
2001-02

2001 Ford Escape XLT Utility

Black	02	.3	YL8Z 78045A76 EAC	\$123.52
Graphite		.3	YL8Z 78045A76 EAB	\$166.13
Parchment		.3	YL8Z 78045A76 EAA	\$187.88
	2003			
Black		.3	YL8Z 78045A76 EAC	\$123.52
Flint				
To 12-1-02		.3	3L8Z 78045A76 EAB	\$150.32
From 12-2-02		.3	3L8Z 78045A76 EAC	\$140.35
Pebble		.3	3L8Z 78045A76 EAA	\$140.35
4 Boot, Shift Lever				
Man Trans		.2	YL8Z 7277 AC	\$26.00
¶ Included w/Front Console Panel Assy				
5 Ashtray		.1	YL8Z 7804810 AAA	\$24.22
6 Bracket, Console Mtg	#.1		YL8Z 78045B34 AA	\$14.42

#w/Center Console Removed, Not Included in R&R Center Console

W/O ARMREST  
AUTO TRANS



002-1.3719

R&I Center Console

.4

NOTE: All Parts in this section are included in R&R Center Console Assy unless noted otherwise.

1 Console, Center				
Graphite		.8	YL8Z 78045A36 AAB	\$102.53
Parchment		.8	YL8Z 78045A36 AAA	\$90.43

2001 Ford Escape XLT Utility

2 Panel, Upper Console				
Graphite		.2	YL8Z 78045E24 AAB	\$140.52
Parchment		.2	YL8Z 78045E24 AAA	\$82.37
3 Panel, Front Console				
Graphite	01	.3	YL8Z 78045A76 CAB	\$169.68
Parchment	01	.3	YL8Z 78045A76 CAA	\$136.58
4 Ashtray		.1	YL8Z 7804810 AAA	\$24.22
5 Bracket, Console Mtg		#.1	YL8Z 78045B34 AA	\$14.42

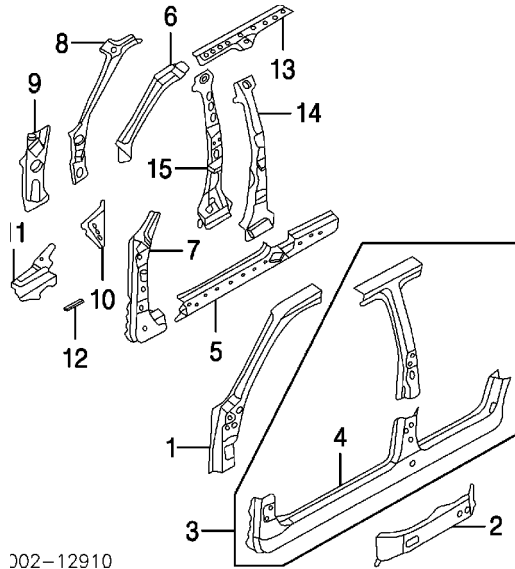
#w/Center Console Removed, Not Included in R&R Center Console

2001 Ford Escape XLT Utility

## ROCKER/PILLARS/FLOOR

Procedures 14, 15 and 28

### SHEET METAL



002-12910

Refinish Outer Front Pillar Panel	R	1.2		
	L	1.2		
Refinish Outer Center Pillar Panel Assy	R	2.0		
	L	2.0		
Refinish Outer Rocker Panel	R	2.0		
	L	2.0		
Refinish Center Pillar Section	R	1.0		
	L	1.0		
Refinish Roof Rail	R	1.6		
	L	1.6		
R&R Center Pillar Section	R	7.5		
	L	7.5		
1 Panel, Otr Frt Pillar	R	7.8	YL8Z 7802500 BA	\$237.33
	L	7.8	YL8Z 7802501 BA	\$235.17
2 Seal, Rocker Panel	R		YL8Z 7824482 AA	\$20.10
	L		YL8Z 7824483 AA	\$16.75
3 Panel Assy, Outer Center Pillar	R	#17.0	YL8Z 78211A10 BA	\$421.50
	L	#17.0	YL8Z 78211A11 BA	\$417.92
4 Panel, Otr Rocker	R	#11.5	YL8Z 7810128 BA	\$214.32
	L	#11.5	YL8Z 7810129 BA	\$214.32

2001 Ford Escape XLT Utility

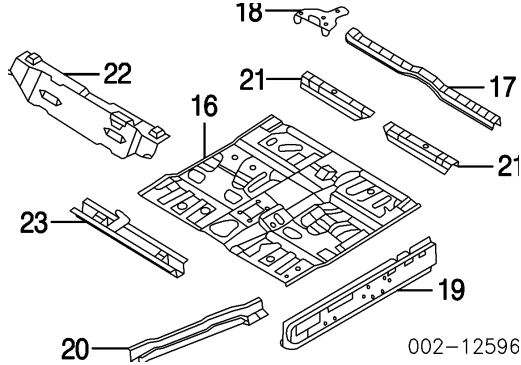
¶Included w/Outer Center Pillar Panel Assy

#w/Quarter Panel Removed Deduct 2.0, Deduction Includes Common Surfaces & Included Operations

5	Reinf, Inr Rocker Panel	R	4.0	YL8Z 7820402 AA	\$86.00
		L	4.0	YL8Z 7820403 AA	\$86.08
6	Reinf, Upr Frt Pillar	R	2.0	5L8Z 7802524 AA	\$106.22
		L	2.0	9L8Z 7802525 A	\$156.82
7	Reinf, Lwr Frt Pillar	01-0 R	#3.0	YL8Z 7822842 AA	\$159.67
		L	#3.0	YL8Z 7822843 AA	\$120.73
		05-0 R	#3.0	YL8Z 7822842 AA	\$159.67
		L	#3.0	5L8Z 7822843 AA	\$79.72
#Includes R&R Cowl Side Panel					
8	Panel, Inr Frt Pillar	01-0 R	1.5	8L8Z 7802508 A	\$50.58
		L	1.5	8L8Z 7802509 A	\$66.52
		05-0 R	1.5	8L8Z 7802508 A	\$50.58
		L	1.5	8L8Z 7802509 A	\$66.52
Panel, Cowl Side					
9	Inner	R	2.0	YL8Z 7802038 AB	\$57.70
		L	2.0	YL8Z 7802039 AB	\$53.50
10	Outer	R	1.0	YL8Z 7802038 AA	\$63.32
		L	1.0	YL8Z 7802039 AA	\$63.12
11	Reinf, Cowl Side	R	1.0	YL8Z 78021A12 AA	\$74.50
		L	1.0	9L8Z 78021A13 A	\$69.78
12	Seal, Cowl Side	R		YL8Z 7802730 AA	\$12.10
		L		YL8Z 7802731 AA	\$14.52
13	Rail, Side Roof				
	2001-02	R	2.0	YL8Z 78513A30 AA	\$42.33
		L	2.0	YL8Z 78513A31 AA	\$44.23
	2003	R	2.0	3L8Z 78513A30 BA	\$41.95
		L	2.0	YL8Z 78513A31 AA	\$44.23
	2004				
	To 3-9-04	R	2.0	5L8Z 78513A30 BA	\$56.10
		L	2.0	5L8Z 78513A31 BA	\$42.70
	From 3-10-04	R	2.0	5L8Z 78513A30 BA	\$56.10
		L	2.0	5L8Z 78513A31 BA	\$42.70
	2005-07	R	2.0	5L8Z 78513A30 BA	\$56.10
		L	2.0	5L8Z 78513A31 BA	\$42.70
14	Reinf, Otr Ctr Pillar	R	#2.0	YL8Z 7824382 AA	\$137.58
		L	#2.0	YL8Z 7824383 AA	\$177.32
15	Reinf, Inr Ctr Pillar	01-0 R	#2.0	YL8Z 7824300 AA	\$146.83
		L	#2.0	YL8Z 7824301 AA	\$213.20
		05-0 R	#2.0	5L8Z 7824300 AA	\$128.57
		L	#2.0	5L8Z 7824301 AA	\$128.57

2001 Ford Escape XLT Utility

#R&R One Side Complete



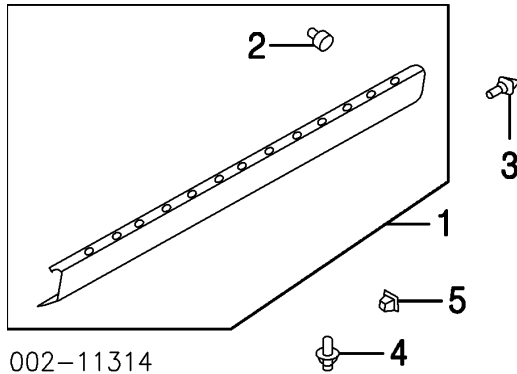
16 Panel, Floor	01-0	#17.0	YL8Z 7811135 AA	\$993.20
	05-0	#17.0	5L8Z 7811135 AA	\$802.25
	07	#17.0	5L8Z 7811135 AA	\$802.25

#Includes R&R Floor Xmb Plate, Front Seat Xmb, Rear Seat Xmb, Frt Floor Xmb, Deduct 3.0 w/Each Inner Rocker Panel Removed

17 Plate, Floor Xmb		3.0	YL8Z 78106A90 BA	\$110.40
18 Brkt, Parking Brake-Serviced w/Floor Panel				
19 Panel, Inr Rocker	01-0 R	3.0	YL8Z 7810114 BA	\$491.67
	L	3.0	YL8Z 7810115 BA	\$506.92
	05-0 R	3.0	8L8Z 7810110 A	\$96.07
	L	3.0	8L8Z 7810111 A	\$152.97
20 Sidemember, Floor	R	2.5	YL8Z 7810120 AA	\$97.17
	L	2.5	YL8Z 7810121 AA	\$143.60
21 Xmb, Rear Seat	R	1.0	YL8Z 78107A94 AA	\$405.43
	L	1.0	YL8Z 78107A95 AA	\$194.22
22 Xmb, Front Seat	01-0	4.0	3L8Z 7810684 AA	\$242.90
	05-0	4.0	3L8Z 7810684 AA	\$242.90
23 Xmb, Frt Floor	01-0	2.0	YL8Z 7810716 AA	\$131.50
	05-0	2.0	5L8Z 7810716 AA	\$221.38

EXTERIOR TRIM

2001 Ford Escape XLT Utility



002-11314

Refinish Rocker Moulding

R 1.0

L 1.0

R&I Rocker Moulding Assy

R #.4

L #.4

#w/Step Rail Assy Removed

R&I Step Rail Assy

R .5

L .5

R&R Step Rail Assy

R .5

L .5

1 Moulding Assy, Rocker

2001-06

XLS, XLT, XLT Sport Model

w/Appearance Pkg

R #.4 3L8Z 78101A04 \$198.82

L #.4 3L8Z 78101A05 \$195.75

w/o Appearance Pkg

Platinum

R #.4 YL8Z 78101A04 AAB \$95.60

L #.4 YL8Z 78101A05 AAB \$95.60

Titanium

01-0 R #.4 YL8Z 78101A04 AAA \$98.48

L #.4 YL8Z 78101A05 AAA \$98.48

Limited Model

Redfire, (Code G2)

05-0 R #.4 3L8Z 78101A04 \$198.82

L #.4 3L8Z 78101A05 \$195.75

Paint to Match

03-0 R #.4 3L8Z 78101A04 \$198.82

L #.4 3L8Z 78101A05 \$195.75

2007

Smooth Finish (P)

R #.4 3L8Z 78101A04 \$198.82

L #.4 3L8Z 78101A05 \$195.75

Textured Finish

R #.4 YL8Z 78101A04 AAB \$95.60

L #.4 YL8Z 78101A05 AAB \$95.60

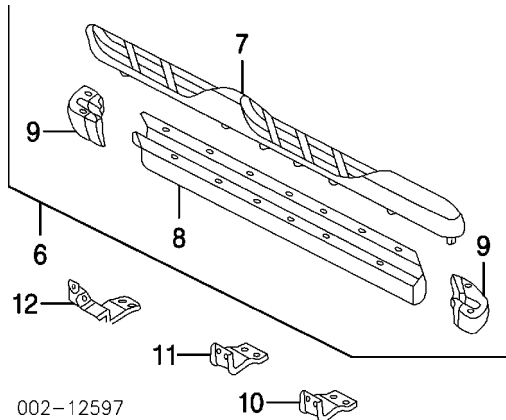
(P) Paint to Match

#w/Step Rail Assy Removed

2001 Ford Escape XLT Utility

2	Clip, Moulding (a)¶	R	1L8Z 7820806 CA	\$4.88
		L	1L8Z 7820806 CA	\$4.88
¶Included w/Rocker Moulding Assy				
3	Screw (a)	R	* W706805 S901	\$1.63
		L	* W706805 S901	\$1.63
4	Clip, Moulding (a) (b)	R	* W705848 S300	\$2.20
		L	* W705848 S300	\$2.20
(b) Non-Reusable Part				
5	Nut (a)	R	* W707157 S300	\$2.00
		L	* W707157 S300	\$2.00
(a) As Required				
Rail Kit, Step				
	Dealer Installed (b)	#	1L8Z 16450 AAA	\$428.57
(b) Contains Both Sides				

#See Headnotes for Labor Time



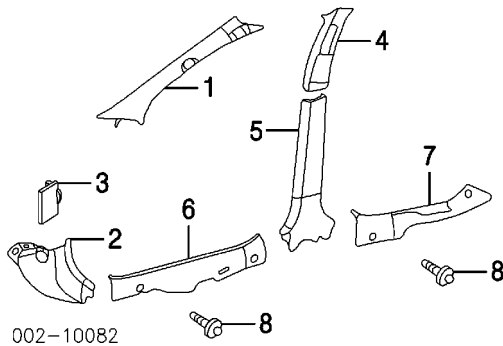
002-12597				
6	Rail Assy, Step			
2001-02				
	Black	R	.5 YL8Z 16450 AAA	\$174.84
		L	.5 YL8Z 16451 AAA	\$173.93
	Platinum	R	.5 YL8Z 16450 AAC	\$215.30
		L	.5 YL8Z 16451 AAC	\$215.30
	Titanium	R	.5 YL8Z 16450 AAB	\$216.49
		L	.5 YL8Z 16451 AAB	\$239.77
2003-06				
	Argent	R	.5 2L8Z 16450 AAA	\$603.50
		L	.5 2L8Z 16451 AAA	\$614.88
	Black	R	.5 YL8Z 16450 AAA	\$174.84
		L	.5 YL8Z 16451 AAA	\$173.93
	Platinum	R	.5 YL8Z 16450 AAC	\$215.30
		L	.5 YL8Z 16451 AAC	\$215.30



2001 Ford Escape XLT Utility

	2007	R	.5 YL8Z 16450 AAA	\$174.84
		L	.5 YL8Z 16451 AAA	\$173.93
7 Pad, Step (c)				
Black		R	.2 YL8Z 16N454 AAA	\$45.49
		L	.2 YL8Z 16N455 AAA	\$45.49
Platinum	01-0	R	.2 YL8Z 16N454 AAC	\$45.49
		L	.2 YL8Z 16N455 AAC	\$133.59
Titanium	01-0	R	.2 YL8Z 16N454 AAB	\$45.49
		L	.2 YL8Z 16N455 AAB	\$45.49
8 Bar, Step (c)				
Black		R	.6 YL8Z 16A464 AAA	\$138.20
		L	.6 YL8Z 16A465 AAA	\$138.20
Platinum	01-0	R	.6 YL8Z 16A464 AAC	\$142.10
		L	.6 YL8Z 16A465 AAC	\$360.58
Titanium	01-0	R	.6 YL8Z 16A464 AAB	\$142.10
		L	.6 YL8Z 16A465 AAB	\$360.58
9 Cap, End (2/Side) (c)				
Black		R	YL8Z 16N519 AAA	\$20.63
		L	YL8Z 16N520 AAA	\$20.63
Platinum	01-0	R	YL8Z 16N519 AAC	\$61.10
		L	YL8Z 16N520 AAC	\$61.10
Titanium	01-0	R	YL8Z 16N519 AAB	\$61.10
		L	YL8Z 16N520 AAB	\$61.10
(c) Included w/Step Rail Assy				
10 Brkt, Front Step Rail		R	YL8Z 16474 AA	\$38.86
		L	YL8Z 16474 AA	\$38.86
11 Brkt, Center Step Rail		R	YL8Z 16474 CA	\$34.31
		L	YL8Z 16474 CA	\$34.31
12 Brkt, Rear Step Rail		R	YL8Z 16474 BA	\$38.43
		L	YL8Z 16475 AA	\$38.43

INTERIOR TRIM



1 Gamish, Inside Windshield-See Windshield Section

2001 Ford Escape XLT Utility

2 Panel, Cowl Trim

2001-02

Black	02 R	.2 YL8Z 7802344 AAE	\$31.70
	L	.2 3L8Z 7802345 AAA	\$35.10
Graphite	R	.2 YL8Z 7802344 AAB	\$40.75
	L	.2 YL8Z 7802345 AAB	\$83.45
Parchment	R	.2 YL8Z 7802344 AAA	\$40.75
	L	.2 YL8Z 7802345 AAA	\$31.88

2003

Black	R	.2 YL8Z 7802344 AAE	\$31.70
	L	.2 3L8Z 7802345 AAA	\$35.10
Flint			
To 12-1-02	R	.2 YL8Z 7802344 AAC	\$45.05
	L	.2 YL8Z 7802345 AAC	\$31.33
From 12-2-02	R	.2 3L8Z 7802344 AAA	\$31.50
	L	.2 3L8Z 7802345 AAB	\$35.10
Pebble	R	.2 YL8Z 7802344 AAD	\$31.70
	L	.2 3L8Z 7802345 AAC	\$35.10

2004-07

Black	R	.2 YL8Z 7802344 AAE	\$31.70
	L	.2 3L8Z 7802345 AAA	\$35.10
Flint	R	.2 3L8Z 7802344 AAA	\$31.50
	L	.2 3L8Z 7802345 AAB	\$35.10
Pebble	R	.2 YL8Z 7802344 AAD	\$31.70
	L	.2 3L8Z 7802345 AAC	\$35.10

3 Door, Cowl Trim Panel

2001-02

Black	L	YL8Z 78023A98 AAE	\$30.60
Graphite	L	YL8Z 78023A98 AAB	\$47.12
Parchment	L	YL8Z 78023A98 AAA	\$45.33

2003

Black	L	YL8Z 78023A98 AAE	\$30.60
Flint			
To 12-1-02	L	3L8Z 78023A98 AAA	\$88.17
From 12-2-02	L	3L8Z 78023A98 AAB	\$19.62
Pebble	L	3L8Z 78023A98 AAC	\$30.60

2004-07

Black	L	YL8Z 78023A98 AAE	\$30.60
Flint	L	3L8Z 78023A98 AAB	\$19.62
Pebble	L	3L8Z 78023A98 AAC	\$30.60

4 Panel, Upr Ctr Pillar Trim

2001-02

Black	02 R	.2 YL8Z 7824346 AAC	\$47.52
	L	.2 YL8Z 7824347 AAC	\$51.63
Graphite	R	.2 YL8Z 7824346 AAB	\$46.33
	L	.2 YL8Z 7824347 AAB	\$69.45

2001 Ford Escape XLT Utility

Parchment		R		.2	YL8Z 7824346 AAA	\$46.50
		L		.2	YL8Z 7824347 AAA	\$51.63
2003-04						
Flint		R		.2	1L8Z 7824346 AAB	\$52.10
		L		.2	1L8Z 7824347 AAB	\$52.10
Pebble		R		.2	1L8Z 7824346 AAA	\$69.78
		L		.2	1L8Z 7824347 AAA	\$52.10
2005-07						
Flint		R		.2	5L8Z 7824346 AAE	\$40.52
		L		.2	5L8Z 7824347 AAE	\$43.53
Pebble		R		.2	5L8Z 7824346 AAD	\$43.53
		L		.2	5L8Z 7824347 AAD	\$43.53
5 Panel, Lwr Ctr Pillar Trim						
2001-02						
Black		02 R	#.6		YL8Z 7824356 AAC	\$43.30
		L	#.6		YL8Z 7824357 AAC	\$43.30
Graphite		R	#.6		YL8Z 7824356 AAB	\$42.62
		L	#.6		YL8Z 7824357 AAB	\$58.68
Parchment		R	#.6		YL8Z 7824356 AAA	\$108.42
		L	#.6		YL8Z 7824357 AAA	\$36.08
	2003					
Black		R	#.6		YL8Z 7824356 AAC	\$43.30
		L	#.6		YL8Z 7824357 AAC	\$43.30
Flint						
To 12-1-02		R	#.6		1L8Z 7824356 AAA	\$73.67
		L	#.6		1L8Z 7824357 AAA	\$24.17
From 12-2-02		R	#.6		3L8Z 7824356 AAA	\$43.30
		L	#.6		3L8Z 7824357 AAA	\$46.60
Pebble		R	#.6		1L8Z 7824356 AAA	\$73.67
		L	#.6		1L8Z 7824357 AAA	\$24.17
2004-07						
Black		R	#.6		YL8Z 7824356 AAC	\$43.30
		L	#.6		YL8Z 7824357 AAC	\$43.30
Flint		R	#.6		3L8Z 7824356 AAA	\$43.30
		L	#.6		3L8Z 7824357 AAA	\$46.60
Pebble		R	#.6		1L8Z 7824356 AAB	\$43.30
		L	#.6		1L8Z 7824357 AAB	\$29.00

#Includes R&R Center Pillar Trim Upper Panel & Front & Rear Scuff Plates

Plate Set, Complete Scuff¶

Dealer Installed

Black

1L8Z 78132A08 AA \$33.47

Stainless Steel

1L8Z 7813208 CA \$101.71

¶Set of 4

Plate Set, Front Scuff (a) (b)

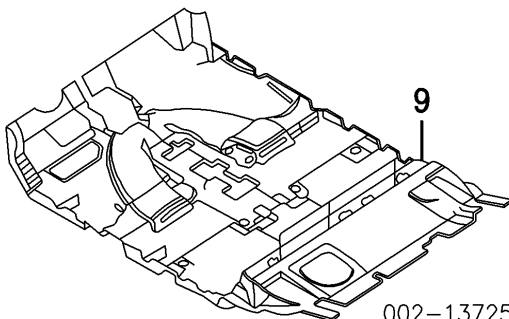
2001 Ford Escape XLT Utility

Dealer Installed				
Stainless Steel			1L8Z 7813208 BA	\$57.41
(a) Included w/Complete Scuff Plate Set				
(b) Set of 2				
6 Plate, Front Scuff				
2001-02				
Black		02 R	.1 5L8Z 7813208 AAA	\$26.22
		L	.1 7L8Z 7813209 AAA	\$14.30
Graphite		R	.1 YL8Z 7813208 AAB	\$34.63
		L	.1 YL8Z 7813209 CAB	\$50.52
Parchment		R	.1 YL8Z 7813208 AAA	\$56.48
		L	.1 YL8Z 7813209 CAA	\$34.83
2003				
Black		R	.1 5L8Z 7813208 AAA	\$26.22
		L	.1 7L8Z 7813209 AAA	\$14.30
Flint				
To 12-1-02		R	.1 N.A.	
		L	.1 YL8Z 7813209 CAC	\$57.70
From 12-2-02		R	.1 5L8Z 7813208 AAB	\$26.42
		L	.1 7L8Z 7813209 AAB	\$14.42
Pebble		R	.1 5L8Z 7813208 AAC	\$46.87
		L	.1 7L8Z 7813209 AAC	\$14.42
2004-07				
Black		R	.1 5L8Z 7813208 AAA	\$26.22
		L	.1 7L8Z 7813209 AAA	\$14.30
Flint		R	.1 5L8Z 7813208 AAB	\$26.42
		L	.1 7L8Z 7813209 AAB	\$14.42
Pebble		R	.1 5L8Z 7813208 AAC	\$46.87
		L	.1 7L8Z 7813209 AAC	\$14.42
7 Plate, Rear Scuff				
2001-02				
Black		02 R	.1 5L8Z 7813228 AAA	\$23.82
		L	.1 5L8Z 7813229 AAA	\$23.82
Graphite		R	.1 YL8Z 7813228 AAB	\$34.90
		L	.1 YL8Z 7813229 AAB	\$31.58
Parchment		R	.1 YL8Z 7813228 AAA	\$65.37
		L	.1 YL8Z 7813229 AAA	\$31.58
2003				
Black		R	.1 5L8Z 7813228 AAA	\$23.82
		L	.1 5L8Z 7813229 AAA	\$23.82
Flint				
To 12-1-02		R	.1 YL8Z 7813228 ADD	\$168.15
		L	.1 YL8Z 7813229 AAC	\$26.85
From 12-2-02		R	.1 5L8Z 7813228 AAB	\$23.82

2001 Ford Escape XLT Utility

		L	.1	5L8Z 7813229 AAB	\$23.82
Pebble		R	.1	5L8Z 7813228 AAC	\$23.82
		L	.1	5L8Z 7813229 AAC	\$27.48
2004-07					
Black		R	.1	5L8Z 7813228 AAA	\$23.82
		L	.1	5L8Z 7813229 AAA	\$23.82
Flint		R	.1	5L8Z 7813228 AAB	\$23.82
		L	.1	5L8Z 7813229 AAB	\$23.82
Pebble		R	.1	5L8Z 7813228 AAC	\$23.82
		L	.1	5L8Z 7813229 AAC	\$27.48
8 Clip, Scuff Plate					
2001-02					
Black		02 R		* W711445 SS3ZH	\$3.00
		L		* W711445 SS3ZH	\$3.00
Graphite		R		* W706555 SSB	\$7.00
		L		* W706555 SSB	\$7.00
Parchment		R		* W706555 SSA	\$6.00
		L		* W706555 SSA	\$6.00
	2003				
Black		R		* W711445 SS3ZH	\$3.00
		L		* W711445 SS3ZH	\$3.00
Flint					
To 12-1-02		R		* W706555 SSD	\$2.00
		L		* W706555 SSD	\$2.00
From 12-2-02		R		* W711445 SS32N	\$2.75
		L		* W711445 SS32N	\$2.75
Pebble		R		* W711445 SS33T	\$3.00
		L		* W711445 SS33T	\$3.00
2004-07					
Black		R		* W711445 SS3ZH	\$3.00
		L		* W711445 SS3ZH	\$3.00
Flint		R		* W711445 SS32N	\$2.75
		L		* W711445 SS32N	\$2.75
Pebble		R		* W711445 SS33T	\$3.00
		L		* W711445 SS33T	\$3.00

†As Required



002-13725

2001 Ford Escape XLT Utility

9 Carpet, Floor

2001-06¶

Man Trans

01-02

YL8Z 7813000 GAB \$445.58

03-06

2L8Z 7813000 GAC \$450.67

Auto Trans

01-02

YL8Z 7813000 AAB \$429.33

03-06

2L8Z 7813000 FAC \$427.33

2007

Black

6L8Z 7813000 AAA \$393.62

Flint

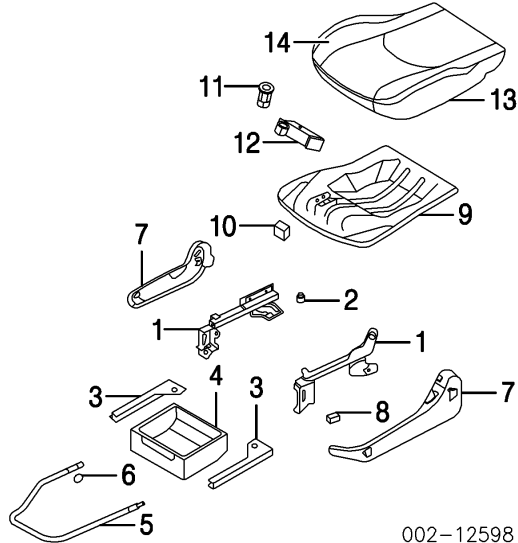
6L8Z 7813000 AAB \$464.67

Pebble

6L8Z 7813000 AAC \$417.77

¶Order by Application

**FRONT SEAT**  
**PASSENGER SIDE**



**R&I Front Seat Assy**

1 Track, Seat					
	01-0	R	#.2	YL8Z 7861704 BA	\$93.98
		L	#.2	YL8Z 7861705 BA	\$79.70
	05-0	R	#.2	5L8Z 7861704 BA	\$128.87
		L	#.2	5L8Z 7861704 AB	\$151.10
					.3
#w/Front Seat Assy Removed					
2 Cap, Seat Track¶		R		YL8Z 78611D02 AAA	\$6.80
		L		YL8Z 78611D02 AAA	\$6.80
¶As Required					
3 Cover, Storage Drawer		R		YL8Z 78600A02 AA	\$28.68
		L		YL8Z 78600A02 BA	\$34.42
4 Drawer, Storage					
Black	02-06			2L8Z 78600A04 AAA	\$132.83
	07			N.A.	
Graphite	01-0			YL8Z 78600A04 CCC	\$92.15
Parchment	01-0			YL8Z 78600A04 AAA	\$102.30
5 Handle, Seat Adjuster				YL8Z 7861753 AC	\$17.00
6 Nut, Handle		R		YL8Z 7862043 AA	\$4.22
		L		YL8Z 7862043 AA	\$4.22
7 Panel, Seat Trim (a)					
Heated Seat	01-0	R	.2	3L8Z 7862186 AAC	\$63.77
		L	.2	1L8Z 7862187 BAA	\$56.32
	05-0	R	.2	5L8Z 7862186 AAE	\$59.72
		L	.2	5L8Z 7862187 AAA	\$47.95
Non-Heated Seat	01-0	R	.2	1L8Z 7862186 BAB	\$60.27

2001 Ford Escape XLT Utility

	L	.2	1L8Z 7862187 BAA	\$56.32
	05-0 R	.2	3L8Z 7862186 BBA	\$56.50
	L	.2	5L8Z 7862187 AAA	\$47.95
(a) Order by Application				
8	Clip, Panel	R	YL8Z 7866454 AA	\$2.70
		L	YL8Z 7866454 AA	\$2.70
As Required				
9	Frame, Seat Cushion	01-0 #.6	YL8Z 7863100 AA	\$72.42
		05-0 #.6	9L8Z 7863100 A	\$76.47
10	Retainer, Frame		YL8Z 7863048 AA	\$5.00
As Required				
11	Switch, Seat Heater		F85Z 14D694 AA	\$17.43
12	Module, Seat Heater		2C3Z 14C724 AA	\$105.33
13	Pad, Seat Cushion-See Air Bag System Section			

Sensor, Occupant Detector (b)-See Air Bag System Section

(b) Serviced w/Seat Cushion Pad

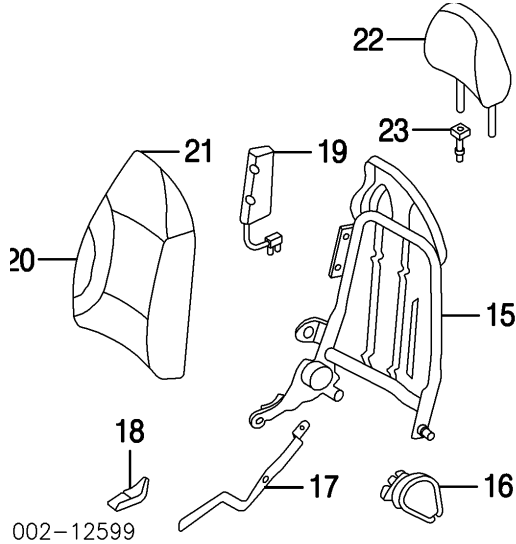
14	Trim, Seat Cushion (a)			
	2001-04			
	High Back Seat			
	XLS Model	#.6	YL8Z 7862900 DAB	\$212.43
	XLT Model			
	Cloth	#.6	YL8Z 7862900 EAB	\$166.95
	Leather	#.6	YL8Z 7862900 FAA	\$268.55
	Low Back Seat			
	XLS Model	02 #.6	YL8Z 7862900 DAD	\$150.55
		03-0 #.6	3L8Z 7862900 BAA	\$185.38
	XLT Model			
	Cloth	02 #.6	YL8Z 7862900 EAB	\$166.95
		03-0 #.6	3L8Z 7862900 AAB	\$194.62
	Leather	02 #.6	YL8Z 7862900 FAE	\$241.95
		03-0 #.6	3L8Z 7862900 CAA	\$179.90
	Limited Model	03-0 #.6	3L8Z 7862900 DAA	\$197.83
	2005-07			
	Cloth	05-0 #.6	5L8Z 7862900 AAD	\$222.05
		07 #.6	5L8Z 7862900 AAM	\$140.87
	Cloth/Vinyl	#.6	5L8Z 7862900 BAA	\$224.05
	Leather	05-0 #.6	5L8Z 7862900 EAA	\$224.95
		07 #.6	6L8Z 7862900 DAA	\$211.88

(a) Order by Application



2001 Ford Escape XLT Utility

#w/Front Seat Assy Removed, R&R Complete



15 Frame/Recliner, Seat Back

2001-04

High Back Seat

w/Side Air Bags

#.7

YL8Z 7861018 BA \$226.70

w/o Side Air Bags

#.7

YL8Z 7861018 AA \$236.92

Low Back Seat

w/Side Air Bags

#.7

YL8Z 7861018 FA \$205.18

w/o Side Air Bags

#.7

YL8Z 7861018 EA \$202.93

2005-07

#.7

5L8Z 7861018 AB \$315.53

16 Cover, Adjuster

01-0

YL8Z 78625A84 AA \$6.58

17 Handle, Latch Release

2L8Z 7862418 AA \$12.00

18 Knob, Recliner (a)

01-0

YL8Z 7862622 DDD \$8.15

03-04

3L8Z 7861736 AAA \$51.13

05-06

3T2Z 7861736 AAB \$51.13

07

N.A.

(a) Order by Application

19 Module, Side Air Bag-See Air Bag System Section

20 Pad, Seat Back

2001-04

High Back Seat

w/Side Air Bags

#.7

YL8Z 7864810 DA \$117.30

w/o Side Air Bags

#.7

YL8Z 7864810 CA \$127.58

Low Back Seat

w/Side Air Bags

#.7

3L8Z 7864810 AA \$199.67

Heated Seat

2001 Ford Escape XLT Utility

Non-Heated Seat	#.7	YL8Z 7864810 LA	\$121.50
w/o Side Air Bags	#.7	YL8Z 7864810 KA	\$87.82
2005-07	#.7	5L8Z 7864810 AA	\$107.40
21 Trim, Seat Back (a)			
2001-04			
High Back Seat			
XLS Model			
w/Side Air Bags	#.7	YL8Z 7864416 HAB	\$256.12
w/o Side Air Bags	#.7	YL8Z 7864416 GAB	\$180.62
XLT Model			
w/Side Air Bags			
Cloth	#.7	YL8Z 7864416 KAB	\$311.73
Leather	#.7	YL8Z 7864416 MAB	\$377.60
w/o Side Air Bags			
Cloth	#.7	YL8Z 7864416 JAB	\$270.38
Leather	#.7	YL8Z 7864416 LAB	\$354.27
Low Back Seat			
XLS Model			
w/Side Air Bags	02 #.7	YL8Z 7864416 AAK	\$237.17
	03-0 #.7	3L8Z 7864416 DAA	\$252.83
w/o Side Air Bags	02 #.7	YL8Z 7864416 AAQ	\$249.20
	03-0 #.7	3L8Z 7864416 CAA	\$209.45
XLT Model			
w/Side Air Bags			
Cloth	02 #.7	YL8Z 7864416 AAH	\$250.97
	03-0 #.7	3L8Z 7864416 BAB	\$179.80
Leather	02 #.7	2L8Z 7864416 ZAB	\$290.23
	03-0 #.7	3L8Z 7864416 HAA	\$245.70
w/o Side Air Bags			
Cloth	02 #.7	2L8Z 7864416 AAA	\$220.93
	03-0 #.7	3L8Z 7864416 AAA	\$251.17
Leather	02 #.7	2L8Z 7864416 YAB	\$287.93
	03-0 #.7	3L8Z 7864416 GAA	\$215.43
Limited Model	03-0 #.7	3L8Z 7864416 FAA	\$332.38
2005-07			
Cloth	05-0 .7	5L8Z 7864416 AAE	\$213.58
	07 #.7	6L8Z 7864416 FAB	\$309.63
Cloth/Vinyl	#.7	5L8Z 7864416 BAC	\$270.78
Leather	05-0 #.7	5L8Z 7864416 DAC	\$235.87
	07 #.7	6L8Z 7864416 HAD	\$314.63

#w/Front Seat Assy Removed, R&R Complete

22 Headrest (a)

2002-04

XLS Model	02 #.1	YL8Z 78611A08 DAB	\$108.92
-----------	--------	-------------------	----------

2001 Ford Escape XLT Utility

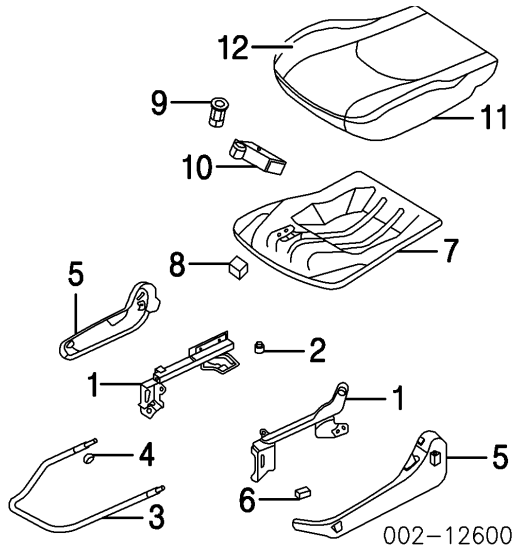
		03-0 #.1	3L8Z 78611A08 AAA	\$166.00
XLT Model				
Cloth		02 #.1	YL8Z 78611A08 EAB	\$115.03
		03-0 #.1	3L8Z 78611A08 BAB	\$162.67
Leather		02 #.1	YL8Z 78611A08 FAB	\$128.20
		03-0 #.1	3L8Z 78611A08 CAA	\$117.05
Limited Model		03-0 #.1	3L8Z 78611A08 DAA	\$117.05
2005-07				
Cloth		#.1	5L8Z 78611A08 BAE	\$145.25
Cloth/Vinyl		#.1	5L8Z 78611A08 AAG	\$147.08
Leather		#.1	5L8Z 78611A08 CAF	\$158.67

(a) Order by Application

#Included in R&R Seat Back Pad

23 Guide, Headrest		02-0 R	YL8Z 78613D58 KKK	\$6.30
		L	YL8Z 78613D58 KKK	\$6.30
		05-0 R	5L8Z 78610A16 CAA	\$28.32
		L	5L8Z 78610A16 AAA	\$33.93

**DRIVER SIDE  
2-WAY MANUAL SEAT**



**R&I Front Seat Assy**

1 Track, Seat				.3
		01-0 R	#.2 YL8Z 7861704 DA	\$104.63
		L	#.2 YL8Z 7861705 DA	\$95.67
		05-0 R	#.2 5L8Z 7861705 AB	\$162.18
		L	#.2 5L8Z 7861705 BA	\$149.33

#w/Front Seat Assy Removed

2 Cap, Seat Track		R	YL8Z 78611D02 AAA	\$6.80
-------------------	--	---	-------------------	--------

2001 Ford Escape XLT Utility

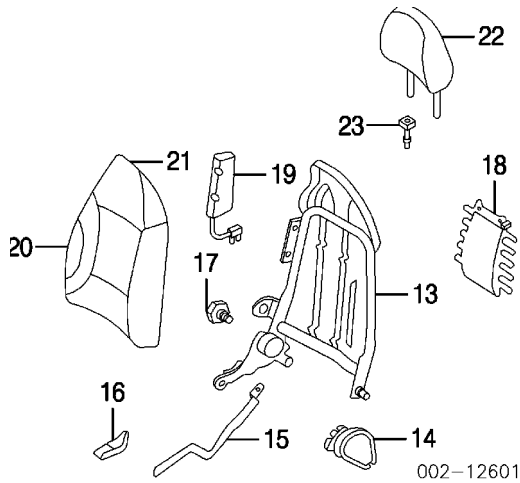
	L		YL8Z 78611D02 AAA	\$6.80
¶As Required				
3 Handle, Seat Adjuster			YL8Z 7861753 BC	\$18.12
4 Nut, Handle	R		YL8Z 7862043 AA	\$4.22
	L		YL8Z 7862043 AA	\$4.22
5 Panel, Seat Trim (a)				
2001-04				
w/Lumbar Support	01-0 R	.2	YL8Z 7862186 NNN	\$50.72
	L	.2	YL8Z 7862187 FFF	\$58.60
	03-0 R	.2	YL8Z 7862186 NNN	\$50.72
	L	.2	3L8Z 7862186 CAB	\$61.32
w/o Lumbar Support	R	.2	YL8Z 7862186 NNN	\$50.72
	L	.2	3L8Z 7862187 AZA	\$56.13
2005-07				
Heated Seat	R	.2	5L8Z 7862186 FAB	\$50.98
	L	.2	5L8Z 7862187 CAH	\$50.60
Non-Heated Seat	R	.2	5L8Z 7862186 FAB	\$50.98
	L	.2	5L8Z 7862187 EAA	\$52.23
(a) Order by Application				
6 Clip, Panel¶	R		YL8Z 7866454 AA	\$2.70
	L		YL8Z 7866454 AA	\$2.70
¶As Required				
7 Frame, Seat Cushion	01-0 #.6		YL8Z 7863100 AA	\$72.42
	05-0 #.6		9L8Z 7863100 A	\$76.47
8 Retainer, Frame¶			YL8Z 7863048 AA	\$5.00
¶As Required				
9 Switch, Seat Heater			F85Z 14D694 AA	\$17.43
10 Module, Seat Heater			2C3Z 14C724 AA	\$105.33
11 Pad, Seat Cushion				
	2001	#.6	YL8Z 78632A23 BA	\$119.58
	2002			
To 11-4-01		#.6	YL8Z 78632A23 BA	\$119.58
From 11-5-01		#.6	2L8Z 78632A23 BA	\$175.10
2003-04				
Heated Seat		#.6	3L8Z 78632A23 AA	\$204.42
Non-Heated Seat		#.6	2L8Z 78632A23 BA	\$175.10
2005-07		#.6	5L8Z 78632A23 BB	\$100.50
12 Trim, Seat Cushion (a)				
2001-04				
High Back Seat				
XLS Model		#.6	YL8Z 7862901 DAB	\$203.53
XLT Model				
Cloth		#.6	YL8Z 7862901 EAB	\$143.78
Leather		#.6	YL8Z 7862901 FAB	\$280.12
Low Back Seat				
XLS Model	02	#.6	YL8Z 7862901 DAD	\$150.55

2001 Ford Escape XLT Utility

XLT Model Cloth  Leather  Limited Model 2005-07 Cloth  Cloth/Vinyl Leather	03-0 #.6  01-0 #.6 03-0 #.6 02 #.6 03-0 #.6 03-0 #.6  05-0 #.6 07 #.6 05-0 #.6 07 #.6	3L8Z 7862901 BAA \$185.38  YL8Z 7862901 EAB \$143.78 3L8Z 7862901 AAB \$257.13 YL8Z 7862901 FAD \$225.90 3L8Z 7862901 CAA \$224.88 3L8Z 7862901 DAA \$197.83  5L8Z 7862900 AAD \$222.05 5L8Z 7862901 GAB \$141.37 5L8Z 7862900 BAA \$224.05 5L8Z 7862901 CAC \$254.33 6L8Z 7862901 DAA \$212.45
--	---	---

(a) Order by Application

#w/Front Seat Assy Removed, R&R Complete



13 Frame/Recliner, Seat Back

2001-04

High Back

w/Lumbar Support

w/Side Air Bags

#.7 YL8Z 7861019 DA \$195.28

w/o Side Air Bags

#.7 YL8Z 7861019 CA \$226.35

w/o Lumbar Support

w/Side Air Bags

#.7 YL8Z 7861019 BA \$226.03

w/o Side Air Bags

#.7 YL8Z 7861019 AA \$232.15

Low Back

w/Lumbar Support

w/Side Air Bags

#.7 YL8Z 7861019 HA \$207.80

w/o Side Air Bags

#.7 YL8Z 7861019 GA \$242.32

w/o Lumbar Support

2001 Ford Escape XLT Utility

w/Side Air Bags		#.7	YL8Z 7861019 FA	\$246.32
w/o Side Air Bags		#.7	YL8Z 7861019 GA	\$242.32
2005-07		#.7	5L8Z 7861019 AB	\$315.53
14 Cover, Adjuster	01-0		YL8Z 78625A85 AA	\$6.58
15 Handle, Latch Release			2L8Z 7862419 AA	\$12.00
16 Knob, Recliner (a)	01-02		YL8Z 7862622 BEE	\$8.15
	03-04		3L8Z 7861737 AAA	\$51.13
	05-07		5L8Z 7861737 AAB	\$37.73
(a) Order by Application				
17 Knob, Lumbar	01-0		5L8Z 78617B70 AAB	\$39.92
18 Support, Lumbar				
	2001		YL8Z 7865500 AA	\$34.53
	2002			
To 5-27-02			YL8Z 7865500 AA	\$34.53
From 5-28-02			2L8Z 78617C04 BA	\$84.52
2003-04			2L8Z 78617C04 BA	\$84.52
19 Module, Side Air Bag-See Air Bag System Section				
20 Pad, Seat Back				
2001-04				
High Back Seat				
w/Lumbar Support				
w/Side Air Bags		#.7	YL8Z 7864811 FA	\$117.65
w/o Side Air Bags		#.7	YL8Z 7864811 EA	\$92.45
w/o Lumbar Support				
w/Side Air Bags		#.7	YL8Z 7864811 DA	\$135.73
w/o Side Air Bags		#.7	YL8Z 7864810 CA	\$127.58
Low Back Seat				
w/Lumbar Support				
w/Side Air Bags				
Heated Seat		#.7	3L8Z 7864811 AA	\$179.70
Non-Heated Seat		#.7	YL8Z 7864811 NA	\$94.17
w/o Side Air Bags		#.7	YL8Z 7864811 MA	\$85.72
w/o Lumbar Support				
w/Side Air Bags		#.7	YL8Z 7864811 LA	\$100.83
w/o Side Air Bags		#.7	YL8Z 7864810 KA	\$87.82
2005-07		#.7	5L8Z 7864810 AA	\$107.40
21 Trim, Seat Back (a)				
2001-04				
High Back Seat				
XLS Model				
w/Side Air Bags		#.7	YL8Z 7864417 HAB	\$299.97
w/o Side Air Bags		#.7	YL8Z 7864417 GAB	\$214.72
XLT Model				
w/Side Air Bags				

2001 Ford Escape XLT Utility

Cloth	#.7	YL8Z 7864417 KAB	\$311.73
Leather	#.7	YL8Z 7864417 MAB	\$317.63
w/o Side Air Bags			
Cloth	#.7	YL8Z 7864417 JAA	\$227.45
Leather	#.7	YL8Z 7864417 LAB	\$298.00
Low Back Seat			
XLS Model			
w/Side Air Bags	02 #.7	YL8Z 7864417 AAK	\$237.17
	03-0 #.7	3L8Z 7864417 DAA	\$252.83
w/o Side Air Bags	02 #.7	YL8Z 7864417 AAQ	\$249.20
	03-0 #.7	3L8Z 7864416 CAA	\$209.45
XLT Model			
w/Side Air Bags			
Cloth	02 #.7	YL8Z 7864417 AAH	\$263.70
	03-0 #.7	3L8Z 7864417 BAB	\$179.80
Leather	02 #.7	2L8Z 7864417 ZAB	\$290.23
	03-0 #.7	3L8Z 7864417 HAA	\$245.70
w/o Side Air Bags			
Cloth	02 #.7	2L8Z 7864417 AAA	\$206.28
	03-0 #.7	3L8Z 7864416 AAA	\$251.17
Leather	02 #.7	2L8Z 7864417 YAB	\$342.88
	03-0 #.7	3L8Z 7864416 GAA	\$215.43
Limited Model	03-0 #.7	3L8Z 7864417 FAA	\$265.90
2005-07			
Cloth	05-0 #.7	5L8Z 7864417 AAE	\$183.33
	07 #.7	6L8Z 7864417 FAB	\$210.22
Cloth/Vinyl	#.7	5L8Z 7864417 BAC	\$183.33
Leather	05-0 #.7	5L8Z 7864417 DAC	\$183.33
	07 #.7	6L8Z 7864417 HAD	\$251.70

#w/Front Seat Assy Removed, R&R Complete

22 Headrest (a)

2002-04

XLS Model	02 #.1	YL8Z 78611A08 DAB	\$108.92
	03-0 #.1	3L8Z 78611A08 AAA	\$166.00
XLT Model			
Cloth	02 #.1	YL8Z 78611A08 EAB	\$115.03
	03-0 #.1	3L8Z 78611A08 BAB	\$162.67
Leather	02 #.1	YL8Z 78611A08 FAB	\$128.20
	03-0 #.1	3L8Z 78611A08 CAA	\$117.05
Limited Model	03-0 #.1	3L8Z 78611A08 DAA	\$117.05

2005-07

Cloth	#.1	5L8Z 78611A08 BAF	\$145.25
Cloth/Vinyl	#.1	5L8Z 78611A08 AAG	\$147.08
Leather	#.1	5L8Z 78611A08 CAF	\$158.67

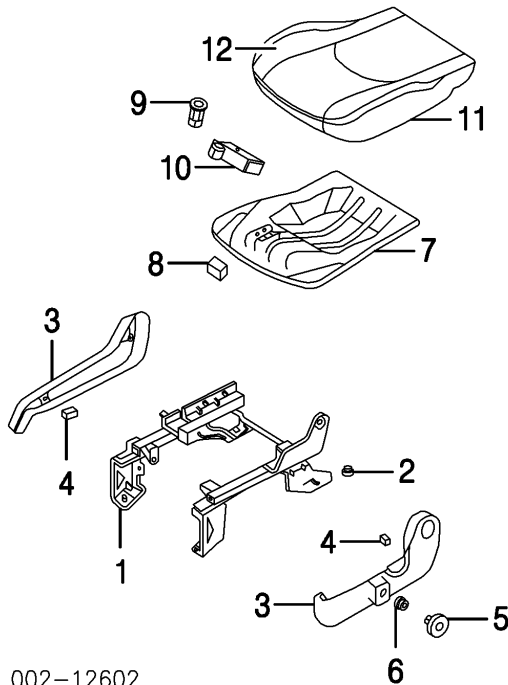
2001 Ford Escape XLT Utility

(a) Order by Application

#Included in R&R Seat Back Pad

23 Guide, Headrest	02-0 R	YL8Z 78613D58 KKK	\$6.30
	L	YL8Z 78613D58 KKK	\$6.30
	05-0 R	5L8Z 78610A16 CAA	\$28.32
	L	5L8Z 78610A16 AAA	\$33.93

**DRIVER SIDE  
4-WAY MANUAL SEAT**



002-12602

**R&I Front Seat Assy**

1 Track, Seat	#.2	YL8Z 7860094 AA	\$338.45
---------------	-----	-----------------	----------

#w/Front Seat Assy Removed

2 Cap, Seat Track¶	R	YL8Z 78611D02 AAA	\$6.80
	L	YL8Z 78611D02 AAA	\$6.80

¶As Required

3 Panel, Seat Trim			
Graphite	R	.2 YL8Z 7862186 NNN	\$50.72
	L	.2 YL8Z 7862187 JJJ	\$47.15
Parchment	R	.2 YL8Z 7862186 LLL	\$46.90
	L	.2 YL8Z 7862186 GGG	\$51.77

4 Clip, Trim Panel¶	R	YL8Z 7866454 AA	\$2.70
	L	YL8Z 7866454 AA	\$2.70

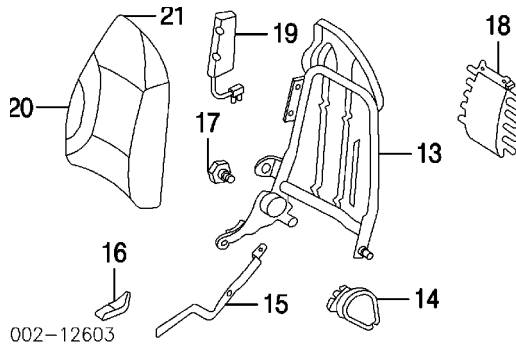
¶As Required



2001 Ford Escape XLT Utility

5 Handle, Adjusting			
Graphite		YL8Z 7861736 CCC	\$8.07
Parchment		YL8Z 7861736 AAA	\$9.12
6 Cap, Handle			
Graphite		YL8Z 78604A04 CCC	\$7.20
Parchment		YL8Z 78604A04 AAA	\$7.20
7 Frame, Seat Cushion	#.6	YL8Z 7863100 AA	\$72.42
8 Retainer, Frame		YL8Z 7863048 AA	\$5.00
As Required			
9 Switch, Seat Heater		F85Z 14D694 AA	\$17.43
10 Module, Seat Heater		2C3Z 14C724 AA	\$105.33
11 Pad, Seat Cushion	#.6	YL8Z 78632A23 BA	\$119.58
12 Trim, Seat Cushion (a)			
XLS Model	#.6	YL8Z 7862901 DAB	\$203.53
XLT, XLT Sport Model			
Cloth	#.6	YL8Z 7862901 EAB	\$143.78
Leather	#.6	YL8Z 7862901 FAB	\$280.12
(a) Order by Application			

#w/Front Seat Assy Removed, R&R Complete



13 Frame/Recliner, Seat Back			
w/Side Air Bags			
w/Lumbar Support	#.7	YL8Z 7861019 DA	\$195.28
w/o Lumbar Support	#.7	YL8Z 7861019 BA	\$226.03
w/o Side Air Bags			
w/Lumbar Support	#.7	YL8Z 7861019 CA	\$226.35
w/o Lumbar Support	#.7	YL8Z 7861019 AA	\$232.15
14 Cover, Adjuster		YL8Z 78625A85 AA	\$6.58
15 Handle, Latch Release		2L8Z 7862419 AA	\$12.00
16 Knob, Recliner (a)		YL8Z 7862622 BEE	\$8.15
(a) Order by Application			
17 Knob, Lumbar		5L8Z 78617B70 AAB	\$39.92
18 Support, Lumbar		YL8Z 7865500 AA	\$34.53

2001 Ford Escape XLT Utility

19 Module, Side Air Bag-See Air Bag System Section

20 Pad, Seat Back

w/Lumbar Support				
w/Side Air Bags	#.7	YL8Z 7864811 FA	\$117.65	
w/o Side Air Bags	#.7	YL8Z 7864811 EA	\$92.45	
w/o Lumbar Support				
w/Side Air Bags	#.7	YL8Z 7864811 DA	\$135.73	
w/o Side Air Bags	#.7	YL8Z 7864810 CA	\$127.58	

21 Trim, Seat Back (a)

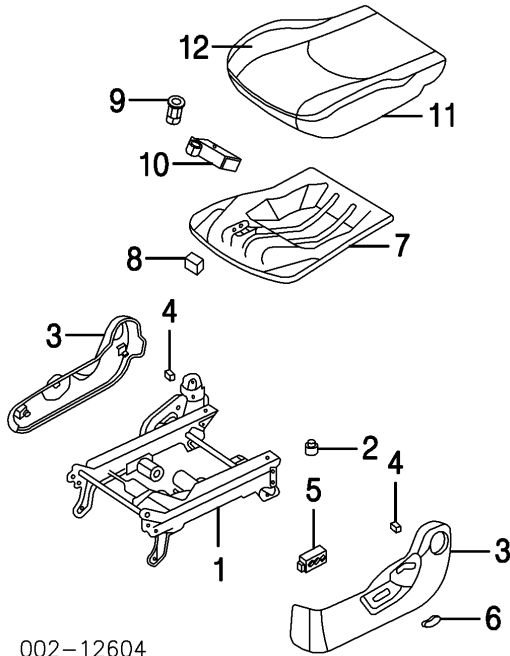
XLS Model				
w/Side Air Bags	#.7	YL8Z 7864417 HAB	\$299.97	
w/o Side Air Bags	#.7	YL8Z 7864417 GAB	\$214.72	
XLT, XLT Sport Model				
w/Side Air Bags				
Cloth	#.7	YL8Z 7864417 KAB	\$311.73	
Leather	#.7	YL8Z 7864417 MAB	\$317.63	
w/o Side Air Bags				
Cloth	#.7	YL8Z 7864417 JAA	\$227.45	
Leather	#.7	YL8Z 7864417 LAB	\$298.00	

(a) Order by Application

#w/Front Seat Assy Removed, R&R Complete

DRIVER SIDE  
POWER SEAT

2001 Ford Escape XLT Utility



002-12604

**R&I Front Seat Assy**

1 Track, Seat	01-0	#.3	YL8Z 7861711 AA	\$757.78
	05-0	#.3	5L8Z 7861711 AB	\$738.93

#w/Front Seat Assy Removed

2 Cap, Seat Track¶	R		YL8Z 78611D02 AAA	\$6.80
	L		YL8Z 78611D02 AAA	\$6.80

¶Order by Application

3 Panel, Seat Trim

2001-04

Ebony

Heated Seat	R	.2	1L8Z 7862187 CAA	\$40.93
	L	.2	3L8Z 7862187 BAC	\$68.77
Non-Heated Seat	R	.2	1L8Z 7862187 CAA	\$40.93
	L	.2	1L8Z 7862186 CAA	\$55.00

Flint

Heated Seat	R	.2	3L8Z 7862187 DAA	\$36.22
	L	.2	3L8Z 7862186 BAA	\$66.32
Non-Heated Seat (a)	R	.2	3L8Z 7862187 DAA	\$36.22
	L	.2	3L8Z 7862187 EAA	\$67.02

Graphite

	R	.2	YL8Z 7862186 JJJ	\$48.33
	L	.2	YL8Z 7862187 CCC	\$50.78
Parchment	R	.2	YL8Z 7862186 GGG	\$51.77
	L	.2	YL8Z 7862187 AAA	\$48.33

Pebble

2001 Ford Escape XLT Utility

Heated Seat	R	.2	3L8Z 7862187 DAB	\$45.05
	L	.2	3L8Z 7862187 BAB	\$68.77
Non-Heated Seat	R	.2	3L8Z 7862187 DAB	\$45.05
	L	.2	3L8Z 7862186 EAB	\$67.02
2005-07 (a)				
Heated Seat	R	.2	5L8Z 7862187 BAA	\$62.10
	L	.2	5L8Z 7862187 CAE	\$50.60
Non-Heated Seat	R	.2	5L8Z 7862187 BAA	\$62.10
	L	.2	5L8Z 7862187 FAA	\$49.55
(a) Order by Application				
4 Clip, Trim Panel¶	R		YL8Z 7866454 AA	\$2.70
	L		YL8Z 7866454 AA	\$2.70
¶As Required				
5 Switch, Seat		.2	YL8Z 14A701 AA	\$59.37
6 Knob, Switch			3F2Z 14711 AAA	\$10.22
7 Frame, Seat Cushion	01-0 #.6		YL8Z 7863100 AA	\$72.42
	05-0 #.6		9L8Z 7863100 A	\$76.47
8 Retainer, Frame¶			YL8Z 7863048 AA	\$5.00
¶As Required				
9 Switch, Seat Heater			F85Z 14D694 AA	\$17.43
10 Module, Seat Heater			2C3Z 14C724 AA	\$105.33
11 Pad, Seat Cushion				
	2001	#.6	YL8Z 78632A23 BA	\$119.58
	2002			
To 11-4-01		#.6	YL8Z 78632A23 BA	\$119.58
From 11-5-01		#.6	2L8Z 78632A23 BA	\$175.10
2003-04				
Heated Seat		#.6	3L8Z 78632A23 AA	\$204.42
Non-Heated Seat		#.6	2L8Z 78632A23 BA	\$175.10
2005-07				
		#.6	5L8Z 78632A23 BB	\$100.50
12 Trim, Seat Cushion (a)				
2001-04				
High Back Seat				
XLS Model		#.6	YL8Z 7862901 DAB	\$203.53
XLT Model				
Cloth		#.6	YL8Z 7862901 EAB	\$143.78
Leather		#.6	YL8Z 7862901 FAB	\$280.12
Low Back Seat				
XLS Model	02	#.6	YL8Z 7862901 DAD	\$150.55
	03-0	#.6	3L8Z 7862901 BAA	\$185.38
XLT Model				
Cloth	01-0	#.6	YL8Z 7862901 EAB	\$143.78
	03-0	#.6	3L8Z 7862901 AAB	\$257.13
Leather	02	#.6	YL8Z 7862901 FAD	\$225.90
	03-0	#.6	3L8Z 7862901 CAA	\$224.88
Limited Model	03-0	#.6	3L8Z 7862901 DAA	\$197.83

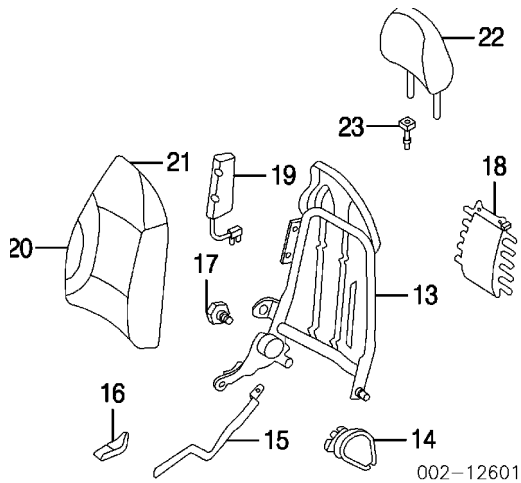
2001 Ford Escape XLT Utility

2005-07

Cloth	#.6	5L8Z 7862900 AAM	\$140.87
Cloth/Vinyl	#.6	5L8Z 7862900 BAA	\$224.05
Leather	05-0 #.6	5L8Z 7862901 CAC	\$254.33
	07 #.6	6L8Z 7862901 DAA	\$212.45

(a) Order by Application

#w/Front Seat Assy Removed, R&R Complete



13 Frame/Recliner, Seat Back

2001-04

High Back

w/Side Air Bags

w/Lumbar Support #.7 YL8Z 7861019 DA \$195.28

w/o Lumbar Support #.7 YL8Z 7861019 BA \$226.03

w/o Side Air Bags

w/Lumbar Support #.7 YL8Z 7861019 CA \$226.35

w/o Lumbar Support #.7 YL8Z 7861019 AA \$232.15

Low Back

w/Side Air Bags

w/Lumbar Support #.7 YL8Z 7861019 HA \$207.80

w/o Lumbar Support #.7 YL8Z 7861019 FA \$246.32

w/o Side Air Bags

w/Lumbar Support #.7 YL8Z 7861019 GA \$242.32

w/o Lumbar Support #.7 YL8Z 7861019 EA \$239.90

2005-07

#.7 5L8Z 7861019 AB \$315.53

14 Cover, Adjuster	01-0	YL8Z 78625A85 AA	\$6.58
15 Handle, Latch Release		2L8Z 7862419 AA	\$12.00
16 Handle, Recliner (a)	01-0	YL8Z 7862622 BEE	\$8.15
	03-0	3L8Z 7861737 AAA	\$51.13
	05-07	5L8Z 7861737 AAB	\$37.73

2001 Ford Escape XLT Utility

(a) Order by Application			
17 Knob, Lumbar	01-0	5L8Z 78617B70 AAB	\$39.92
18 Support, Lumbar			
	2001	YL8Z 7865500 AA	\$34.53
	2002		
To 5-27-02		YL8Z 7865500 AA	\$34.53
From 5-28-02		2L8Z 78617C04 BA	\$84.52
2003-04		2L8Z 78617C04 BA	\$84.52
19 Module, Side Air Bag-See Air Bag System Section			
20 Pad, Seat Back			
2001-04			
High Back Seat			
w/Lumbar Support			
w/Side Air Bags	#.7	YL8Z 7864811 FA	\$117.65
w/o Side Air Bags	#.7	YL8Z 7864811 EA	\$92.45
w/o Lumbar Support			
w/Side Air Bags	#.7	YL8Z 7864811 DA	\$135.73
w/o Side Air Bags	#.7	YL8Z 7864810 CA	\$127.58
Low Back Seat			
w/Lumbar Support			
w/Side Air Bags			
Heated Seat	#.7	3L8Z 7864811 AA	\$179.70
Non-Heated Seat	#.7	YL8Z 7864811 NA	\$94.17
w/o Side Air Bags	#.7	YL8Z 7864811 MA	\$85.72
w/o Lumbar Support			
w/Side Air Bags	#.7	YL8Z 7864811 LA	\$100.83
w/o Side Air Bags	#.7	YL8Z 7864810 KA	\$87.82
2005-07	#.7	5L8Z 7864810 AA	\$107.40
21 Trim, Seat Back (a)			
2001-04			
High Back Seat			
XLS Model			
w/Side Air Bags	#.7	YL8Z 7864417 HAB	\$299.97
w/o Side Air Bags	#.7	YL8Z 7864417 GAB	\$214.72
XLT Model			
w/Side Air Bags			
Cloth	#.7	YL8Z 7864417 KAB	\$311.73
Leather	#.7	YL8Z 7864417 MAB	\$317.63
w/o Side Air Bags			
Cloth	#.7	YL8Z 7864417 JAA	\$227.45
Leather	#.7	YL8Z 7864417 LAB	\$298.00
Low Back Seat			
XLS Model			
w/Side Air Bags	02 #.7	YL8Z 7864417 AAK	\$237.17

2001 Ford Escape XLT Utility

	03-0 #.7	3L8Z 7864417 DAA	\$252.83
w/o Side Air Bags	02 #.7	YL8Z 7864417 AAQ	\$249.20
	03-0 #.7	3L8Z 7864416 CAA	\$209.45
XLT Model			
w/Side Air Bags			
Cloth	02 #.7	YL8Z 7864417 AAH	\$263.70
	03-0 #.7	3L8Z 7864417 BAB	\$179.80
Leather	02 #.7	2L8Z 7864417 ZAB	\$290.23
	03-0 #.7	3L8Z 7864417 HAA	\$245.70
w/o Side Air Bags			
Cloth	02 #.7	2L8Z 7864417 AAA	\$206.28
	03-0 #.7	3L8Z 7864416 AAA	\$251.17
Leather	02 #.7	2L8Z 7864417 YAB	\$342.88
	03-0 #.7	3L8Z 7864416 GAA	\$215.43
Limited Model	03-0 #.7	3L8Z 7864417 FAA	\$265.90
2005-07			
Cloth	05-0 #.7	5L8Z 7864417 AAA	\$183.33
	07 #.7	7L8Z 7864417 KB	\$151.05
Cloth/Vinyl	#.7	N.A.	
Leather	05-0 #.7	5E6Z 7864416 CAB	\$356.75
	07 #.7	6L8Z 7864416 HAD	\$314.63

#w/Front Seat Assy Removed, R&R Complete

22 Headrest (a)

2002-04

XLS Model	02 #.1	YL8Z 78611A08 DAB	\$108.92
	03-0 #.1	3L8Z 78611A08 AAA	\$166.00

XLT Model

Cloth	02 #.1	YL8Z 78611A08 EAB	\$115.03
	03-0 #.1	3L8Z 78611A08 BAB	\$162.67
Leather	02 #.1	YL8Z 78611A08 FAB	\$128.20
	03-0 #.1	3L8Z 78611A08 CAA	\$117.05
Limited Model	03-0 #.1	3L8Z 78611A08 DAA	\$117.05

2005-07

Cloth	#.1	5L8Z 78611A08 BAF	\$145.25
Cloth/Vinyl	#.1	5L8Z 78611A08 AAG	\$147.08
Leather	#.1	5L8Z 78611A08 CAF	\$158.67

(a) Order by Application

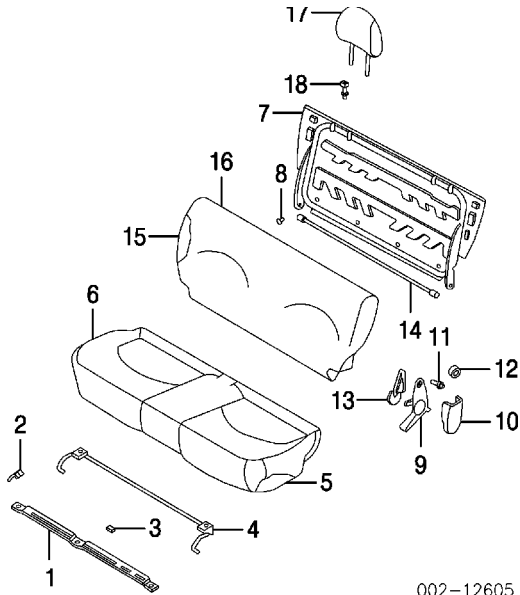
#Included in R&R Seat Back Pad

23 Guide, Headrest

02-0 R	YL8Z 78613D58 KKK	\$6.30
L	YL8Z 78613D58 KKK	\$6.30
05-0 R	5L8Z 78610A16 CAA	\$28.32
L	5L8Z 78610A16 AAA	\$33.93

2001 Ford Escape XLT Utility

**REAR SEAT**  
**BENCH SEAT**  
 2001-04



002-12605

**R&I Rear Seat Assy**

1 Support, Rear Seat	01	YL8Z 78606A50 BB	\$45.00
	02-04	2L8Z 78606A50 BA	\$33.77
2 Bracket, Support	R	YL8Z 7863135 AA	\$16.48
	L	YL8Z 7863135 AA	\$16.48
3 Clip, Support	R	YL8Z 78617C90 AA	\$13.00
	L	YL8Z 78617C90 AA	\$13.00
4 Link, Rear Seat	01	YL8Z 78605B10 BB	\$39.53
	02-04	YL8Z 78605B10 BC	\$59.30
5 Pad, Seat Cushion	01 #.6	YL8Z 7863840 CA	\$205.37
	02-0 #.6	2L8Z 7863840 CA	\$297.08
6 Trim, Seat Cushion			
2001-02			
Graphite	01 #.6	YL8Z 7863804 GAB	\$254.50
	02 #.6	1L8Z 7863804 GAB	\$271.88
Parchment	01 #.6	YL8Z 7863804 GAA	\$254.50
	02 #.6	1L8Z 7863804 GAA	\$271.88
2003-04			
Flint	#.6	3L8Z 7863804 DAA	\$186.17
Pebble	#.6	3L8Z 7863804 DAB	\$186.17

#w/Rear Seat Assy Removed

7 Frame, Seat Back  
 w/Adjustable Headrest



2001 Ford Escape XLT Utility

	2001	#.6	YL8Z 78613A38 DA	\$364.25
	2002			
To 2-11-02		#.6	YL8Z 78613A38 DA	\$364.25
From 2-12-02		#.6	2L8Z 78613A38 DA	\$193.47
2003-04		#.6	2L8Z 78613A38 DA	\$193.47
w/o Adjustable Headrest		#.6	YL8Z 78613A38 CA	\$193.13
#w/Rear Seat Assy Removed				
8 Retainer			YL8Z 78613A46 AA	\$11.00
As Required				
9 Latch, Seat Back				
	2001	R	YL8Z 7861382 CA	\$139.25
		L	YL8Z 7861383 CA	\$166.65
	2002			
To 2-11-02		R	YL8Z 7861382 CA	\$139.25
		L	YL8Z 7861383 CA	\$166.65
From 2-12-02		R	2L8Z 7861382 CA	\$138.68
		L	2L8Z 7861383 CA	\$138.68
2003-04		R	2L8Z 7861382 CA	\$138.68
		L	2L8Z 7861383 CA	\$138.68
10 Cover, Outer Latch				
2001-02				
Black	02	R	1L8Z 7861348 BAA	\$66.03
		L	1L8Z 7861349 BAA	\$66.03
Graphite		R	YL8Z 7861348 BAC	\$50.27
		L	YL8Z 7861349 BAC	\$50.27
Parchment		R	YL8Z 7861348 BAA	\$42.02
		L	YL8Z 7861349 BAA	\$42.02
2003-04				
Black		R	1L8Z 7861348 BAA	\$66.03
		L	1L8Z 7861349 BAA	\$66.03
Flint		R	3L8Z 7861348 BAC	\$55.27
		L	3L8Z 7861349 BAC	\$55.27
Pebble		R	3L8Z 7861348 BAB	\$55.27
		L	3L8Z 7861349 BAB	\$55.27
11 Screw, Latch		R	* W500720 S58	\$3.00
		L	* W500720 S58	\$3.00
12 Nut, Latch		R	* W707654 S441	\$2.50
		L	* W707654 S441	\$2.50
13 Cover, Inner Latch				
2001-02				
Black	02	R	1L8Z 78666L75 BAA	\$70.60
		L	1L8Z 78666L76 BAA	\$70.60
Graphite		R	YL8Z 78666L75 CCC	\$12.98
		L	YL8Z 78666L76 CCC	\$9.15
Parchment		R	YL8Z 78666L75 AAA	\$12.98

2001 Ford Escape XLT Utility

		L		YL8Z 78666L76 AAA	\$12.98
2003-04					
Black		R		1L8Z 78666L75 BAA	\$70.60
		L		1L8Z 78666L76 BAA	\$70.60
Flint		R		3L8Z 78666L75 BAB	\$59.38
		L		3L8Z 78666L76 BAB	\$59.12
Pebble		R		3L8Z 78666L75 BAC	\$66.23
		L		3L8Z 78666L76 BAC	\$59.38
14 Rod, Pivot				YL8Z 78613E52 AA	\$20.70
15 Pad, Seat Back		#.6		YL8Z 7866800 DA	\$186.20
16 Trim, Seat Back					
	2001				
Graphite		#.6		YL8Z 7866600 GAB	\$304.53
Parchment		#.6		YL8Z 7866600 GAA	\$304.53
	2002				
To 1-11-02					
Graphite		#.6		YL8Z 7866600 GAD	\$274.37
Parchment		#.6		YL8Z 7866600 GAC	\$310.78
From 1-12-02					
Graphite		#.6		2L8Z 7866600 GAB	\$256.17
Parchment		#.6		2L8Z 7866600 GAA	\$310.78
	2003				
To 10-10-02					
Flint		#.6		3L8Z 7866600 BAA	\$222.68
Pebble		#.6		3L8Z 7866600 BAB	\$222.68
From 10-11-02 to 12-1-02					
Flint		#.6		3L8Z 7866600 YAA	\$234.93
Pebble		#.6		3L8Z 7866600 YAB	\$229.42
From 12-2-02					
Flint		#.6		3L8Z 7866600 BAC	\$183.53
Pebble		#.6		3L8Z 7866600 BAD	\$183.53
	2004				
Flint		#.6		3L8Z 7866600 BAC	\$183.53
Pebble		#.6		3L8Z 7866600 BAD	\$183.53

#w/Rear Seat Removed, Includes R&R Seat Back Frame

17 Headrest					
2001-02					
Graphite		R	#.1	YL8Z 78611A08 KAB	\$108.00
		L	#.1	YL8Z 78611A08 KAB	\$108.00
Parchment		R	#.1	YL8Z 78611A08 KAA	\$108.00
		L	#.1	YL8Z 78611A08 KAA	\$108.00
2003-04					
Flint		R	#.1	3L8Z 78611A08 DAC	\$157.75

2001 Ford Escape XLT Utility

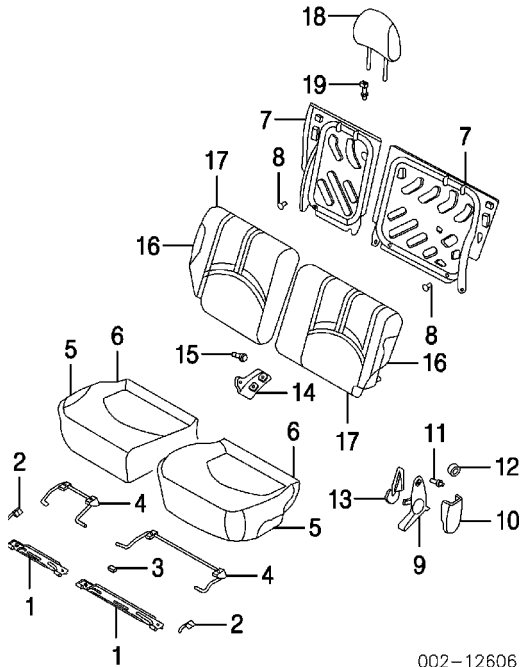
	L	#.1	3L8Z 78611A08 DAC	\$157.75
Pebble	R	#.1	3L8Z 78611A08 DAD	\$157.83
	L	#.1	3L8Z 78611A08 DAD	\$157.83

#Included in R&R Seat Back Pad

18 Guide, Headrest

Locking	R		YL8Z 78613D58 KKK	\$6.30
	L		YL8Z 78613D58 KKK	\$6.30
Non-Locking	R		YL8Z 78613D58 JJJ	\$7.77
	L		YL8Z 78613D58 JJJ	\$7.77

60/40 SPLIT SEAT  
2001-04



002-12606

R&I Rear Seat Assy

R	.3
L	#.4

#Includes R&I Right Seat Assy

1 Support, Rear Seat	01 R	#.2	YL8Z 78606A50 AA	\$34.28
	L	#.2	YL8Z 78606A51 AA	\$35.90
	02-0 R	#.2	3L8Z 78606A50 AB	\$40.38
	L	#.2	3L8Z 78606A51 AB	\$51.82

#w/Rear Seat Assy Removed

2 Bracket, Support	R		YL8Z 7863135 AA	\$16.48
	L		YL8Z 7863135 AA	\$16.48
3 Clip, Support	R		YL8Z 78617C90 AA	\$13.00

2001 Ford Escape XLT Utility

		L		YL8Z 78617C90 AA	\$13.00
4 Link, Rear Seat	01-0	R		YL8Z 78605B10 CA	\$43.97
		L		YL8Z 78605B11 BA	\$49.55
	03-0	R		YL8Z 78605B10 AB	\$56.18
		L		YL8Z 78605B11 AB	\$57.00
5 Pad, Seat Cushion	01	R	#.5	YL8Z 7863840 BA	\$167.15
		L	#.5	YL8Z 7863841 BA	\$269.18
	02-0	R	#.5	2L8Z 7863840 BB	\$154.95
		L	#.5	2L8Z 7863841 BB	\$190.75

6 Trim, Seat Cushion¶

	2001				
Cloth		R	#.5	YL8Z 7863804 CAB	\$204.92
		L	#.5	YL8Z 7863805 CAB	\$212.62
Leather		R	#.5	YL8Z 7863804 DAB	\$335.25
		L	#.5	YL8Z 7863805 DAB	\$234.90
	2002				
Cloth		R	#.5	YL8Z 7863804 CAB	\$204.92
		L	#.5	YL8Z 7863805 CAB	\$212.62
Leather					
To 2-11-02		R	#.5	YL8Z 7863804 DAB	\$335.25
		L	#.5	YL8Z 7863805 DAB	\$234.90
From 2-12-02		R	#.5	2L8Z 7863804 DAB	\$237.93
		L	#.5	2L8Z 7863805 DAB	\$290.82
2003-04					
Cloth		R	#.5	3L8Z 7863804 AAB	\$201.83
		L	#.5	3L8Z 7863805 AAB	\$231.17
Leather		R	#.5	3L8Z 7863804 CAB	\$192.73
		L	#.5	3L8Z 7863805 CAA	\$242.97

¶Order by Application

#w/Rear Seat Assy Removed, R&R One Side Complete

7 Frame, Seat Back

	2001	R	#.5	YL8Z 78613A38 AA	\$179.25
		L	#.5	YL8Z 78613A39 AA	\$200.12
	2002				
To 2-11-02		R	#.5	YL8Z 78606A50 AA	\$34.28
		L	#.5	YL8Z 78606A51 AA	\$35.90
From 2-12-02		R	#.5	2L8Z 78613A38 AA	\$140.62
		L	#.5	2L8Z 78613A39 AA	\$167.98
2003-04		R	#.5	2L8Z 78613A38 AA	\$140.62
		L	#.5	2L8Z 78613A39 AA	\$167.98

#w/Rear Seat Assy Removed

8 Retainer (a)		R		YL8Z 78613A46 AA	\$11.00
		L		YL8Z 78613A46 AA	\$11.00

2001 Ford Escape XLT Utility

(a) As Required			
9 Latch, Seat Back	R	YL8Z 7861382 AA	\$117.03
	L	YL8Z 7861383 AA	\$162.90
10 Cover, Outer Latch			
2001-02			
Black	02 R	1L8Z 7861348 CAA	\$55.53
	L	1L8Z 7861349 CAA	\$55.53
Graphite	R	YL8Z 7861348 AAC	\$50.27
	L	YL8Z 7861349 AAC	\$50.27
Parchment	R	YL8Z 7861348 AAA	\$26.35
	L	YL8Z 7861349 AAA	\$42.28
2003-04			
Black	R	1L8Z 7861348 CAA	\$55.53
	L	1L8Z 7861349 CAA	\$55.53
Flint	R	3L8Z 7861348 CAC	\$66.03
	L	3L8Z 7861349 CAC	\$55.53
Pebble	R	3L8Z 7861348 CAB	\$55.53
	L	3L8Z 7861349 CAB	\$55.53
11 Screw, Latch (a)	R	* W500720 S58	\$3.00
	L	* W500720 S58	\$3.00
12 Nut, Latch (a)	R	* W707654 S441	\$2.50
	L	* W707654 S441	\$2.50
(a) As Required			
13 Cover, Inner Latch			
2001-02			
Black	02 R	1L8Z 78666L75 AAA	\$70.60
	L	1L8Z 78666L76 AAA	\$70.60
Graphite	R	YL8Z 78666L75 GGG	\$8.05
	L	YL8Z 78666L76 GGG	\$8.05
Parchment	R	YL8Z 78666L75 EEE	\$14.47
	L	YL8Z 78666L76 EEE	\$14.47
2003-04			
Black	R	1L8Z 78666L75 AAA	\$70.60
	L	1L8Z 78666L76 AAA	\$70.60
Flint	R	3L8Z 78666L75 AAB	\$59.38
	L	3L8Z 78666L76 AAB	\$70.60
Pebble	R	3L8Z 78666L75 AAC	\$59.38
	L	3L8Z 78666L76 AAC	\$59.38
14 Pivot, Seat	R	YL8Z 7860592 BA	\$19.30
	L	YL8Z 7860592 AA	\$17.72
15 Bolt, Pivot (a)	R	YL8Z 78613B54 AA	\$5.02
	L	YL8Z 78613B54 AA	\$5.02
(a) As Required			
16 Pad, Seat Back	R #.5	YL8Z 7866800 BA	\$104.30
	L #.5	YL8Z 7866801 BA	\$118.90
17 Trim, Seat Back			

2001 Ford Escape XLT Utility

	2001			
Cloth		R	#.5	YL8Z 7866600 CAB \$181.00
		L	#.5	YL8Z 7866601 CAB \$216.93
Leather		R	#.5	YL8Z 7866600 DAB \$314.80
		L	#.5	YL8Z 7866601 DAB \$352.82
	2002			
Cloth				
To 11-4-01		R	#.5	YL8Z 7866600 CAB \$181.00
		L	#.5	YL8Z 7866601 CAB \$216.93
From 11-5-01		R	#.5	2L8Z 7866600 CAA \$169.00
		L	#.5	2L8Z 7866601 CAA \$202.55
Leather				
To 2-11-02		R	#.5	YL8Z 7866600 DAE \$270.81
		L	#.5	YL8Z 7866601 DAE \$290.80
From 2-12-02		R	#.5	2L8Z 7866600 DAB \$314.80
		L	#.5	2L8Z 7866601 DAB \$352.82
	2003			
Cloth				
To 10-10-02		R	#.5	3L8Z 7866600 AAB \$192.33
		L	#.5	3L8Z 7866601 AAB \$249.52
From 10-11-02 to 12-1-02		R	#.5	3L8Z 7866600 XAB \$233.35
		L	#.5	3L8Z 7866601 XAB \$272.72
From 12-2-02		R	#.5	3L8Z 7866600 AAE \$192.33
		L	#.5	3L8Z 7866601 AAE \$224.78
Leather				
To 12-1-02		R	#.5	3L8Z 7866600 DAA \$252.27
		L	#.5	3L8Z 7866601 CAA \$267.60
From 12-2-02		R	#.5	3L8Z 7866600 DAC \$207.93
		L	#.5	3L8Z 7866601 CAD \$212.83
	2004			
Cloth		R	#.5	3L8Z 7866600 AAE \$192.33
		L	#.5	3L8Z 7866601 AAE \$224.78
Leather		R	#.5	3L8Z 7866600 DAC \$207.93
		L	#.5	3L8Z 7866601 CAD \$212.83

#w/Rear Seat Assy Removed, R&R One Side Complete, Includes R&R Seat Back Frame

18 Headrest

2001-02

Cloth		R	#.1	YL8Z 78611A08 HAB\$106.50
		L	#.1	YL8Z 78611A08 HAB\$106.50
Leather		R	#.1	YL8Z 78611A08 JAB\$115.40
		L	#.1	YL8Z 78611A08 JAB\$115.40

2003-04

Cloth		R	#.1	3L8Z 78611A08 CAD\$157.17
-------	--	---	-----	---------------------------

2001 Ford Escape XLT Utility

Leather

L	#.1	3L8Z 78611A08 CAD	\$157.17
R	#.1	3L8Z 78611A08 HAA	\$165.42
L	#.1	3L8Z 78611A08 HAA	\$165.42

Order by Application

#Included in R&R Seat Back Pad

19 Guide, Headrest

Locking

R		YL8Z 78613D58 KKK	\$6.30
---	--	-------------------	--------

L		YL8Z 78613D58 KKK	\$6.30
---	--	-------------------	--------

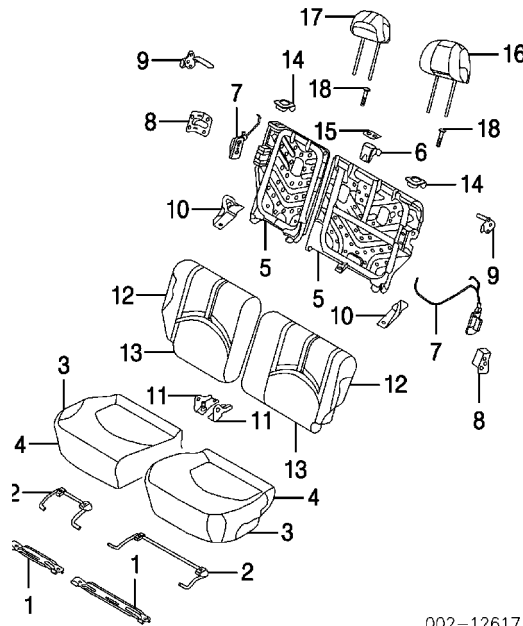
Non-Locking

R		YL8Z 78613D58 JJJ	\$7.77
---	--	-------------------	--------

L		YL8Z 78613D58 JJJ	\$7.77
---	--	-------------------	--------

60/40 SPLIT SEAT

2005-07



002-12617

R&I Rear Seat Assy

R		.3	
---	--	----	--

L	#.4		
---	-----	--	--

#Includes R&I Right Seat Assy

1 Support, Rear Seat

R	#.2	3L8Z 78606A50 AB	\$40.38
---	-----	------------------	---------

L	#.2	3L8Z 78606A51 AB	\$51.82
---	-----	------------------	---------

#w/Rear Seat Assy Removed

2 Link, Rear Seat

R		YL8Z 78605B10 AB	\$56.18
---	--	------------------	---------

L		YL8Z 78605B11 AB	\$57.00
---	--	------------------	---------

3 Pad, Seat Cushion

R	#.5	5L8Z 7863840 AA	\$129.87
---	-----	-----------------	----------

L	#.5	5L8Z 7863841 BA	\$201.77
---	-----	-----------------	----------

4 Trim, Seat Cushion

R	#.5	5L8Z 7863804 EAA	\$242.12
---	-----	------------------	----------

Cloth

2001 Ford Escape XLT Utility

	L	#.5	5L8Z 7863805 EAA	\$270.22
Cloth/Vinyl	R	#.5	5L8Z 7863804 DAA	\$242.83
	L	#.5	5L8Z 7863805 DAA	\$169.80
Leather	R	#.5	5L8Z 7863804 CAA	\$222.63
	L	#.5	5L8Z 7863805 CAA	\$241.60

¶Order by Application

#w/Rear Seat Assy Removed, R&R One Side Complete

5 Frame, Seat Back

2005

To 8-2-04	R	#.5	5L8Z 78613A38 AA	\$215.23
	L	#.5	5L8Z 78613A39 AA	\$228.57
From 8-3-04	R	#.5	5L8Z 78613A38 AB	\$250.90
	L	#.5	5L8Z 78613A39 AB	\$268.33
2006-07	R	#.5	5L8Z 78613A38 AB	\$250.90
	L	#.5	5L8Z 78613A39 AB	\$268.33

#w/Rear Seat Assy Removed

6 Bracket, Locator			5L8Z 78613E12 AA	\$45.67	
7 Latch, Seat Back	R		6L8Z 7861382 AA	\$79.25	
	L		6L8Z 7861383 AA	\$81.82	
8 Cover, Latch	R		5L8Z 78666L76 AA	\$35.12	
	L		5L8Z 78666L76 AA	\$35.12	
9 Striker, Latch	R		5L8Z 7862452 AA	\$18.53	
	L		5L8Z 7862453 AA	\$18.53	
10 Pivot, Outer Seat Back	R		5L8Z 7860592 CC	\$49.62	
	L		5L8Z 7860592 DD	\$51.28	
11 Pivot, Inner	R		5L8Z 7860592 AA	\$57.63	
	L		5L8Z 7860592 BB	\$48.93	
12 Pad, Seat Back	R	#.5	5L8Z 7866800 AA	\$118.77	
	L	#.5	5L8Z 7866801 AA	\$148.58	
13 Trim, Seat Back¶					
Cloth	05-0	R	#.5	5L8Z 7866600 EAA	\$267.33
		L	#.5	5L8Z 7866601 EAA	\$231.22
	07	R	#.5	6L8Z 7866600 AAC	\$232.62
		L	#.5	6L8Z 7866601 AAC	\$156.03
Cloth/Vinyl		R	#.5	5L8Z 7866600 BAA	\$252.83
		L	#.5	5L8Z 7866601 DAA	\$181.40
Leather	05-0	R	#.5	5L8Z 7866600 DAA	\$239.05
		L	#.5	5L8Z 7866601 CAA	\$299.23
	07	R	#.5	6L8Z 7866600 CAD	\$212.88
		L	#.5	6L8Z 7866601 BAD	\$267.47

¶Order by Application

#w/Rear Seat Assy Removed, R&R One Side Complete, Includes R&R Seat Back Frame



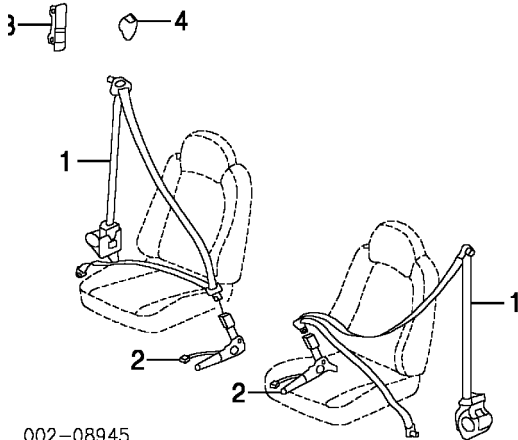
2001 Ford Escape XLT Utility

Bezel, Seat Back		
14	Side	R 5L8Z 78624A09 AAA \$47.12
		L 5L8Z 78624A09 AAA \$47.12
15	Center	5L8Z 78611A70 AAC \$22.53
Headrest		
16	Side	
	Cloth	05-0 R #.1 5L8Z 78611A08 KAA\$135.33
		L #.1 5L8Z 78611A08 KAA\$135.33
		07 R #.1 7L8Z 78611A08 KA \$113.17
		L #.1 7L8Z 78611A08 KA \$113.17
	Cloth/Vinyl	R #.1 5L8Z 78611A08 DAA\$139.83
		L #.1 5L8Z 78611A08 DAA\$139.83
	Leather	05-0 R #.1 5L8Z 78611A08 HAA\$156.75
		L #.1 5L8Z 78611A08 HAA\$156.75
		07 R #.1 5L8Z 78611A08 HAB\$156.75
		L #.1 5L8Z 78611A08 HAB\$156.75
17	Center	
	Cloth	05-0 #.1 5L8Z 78611A08 AA\$131.08
		07 #.1 7L8Z 78611A08 JA \$106.08
	Cloth/Vinyl	#.1 5L8Z 78611A08 CAC\$133.00
	Leather	05-0 #.1 5L8Z 78611A08 GAA\$148.50
		07 #.1 5L8Z 78611A08 GAB\$148.50
¶Order by Application		
#Included in R&R Seat Back Pad		
18	Guide, Headrest	
	Type 1, (3)	5L8Z 78610A16 BAA \$25.92
	Type 2, (3)	5L8Z 78610A16 AAA \$33.93

2001 Ford Escape XLT Utility

SEAT BELTS

FRONT



002-08945

1 Belt, Seat

2001-02

Black

R	#.2	1L8Z 78611B08 AAB	\$137.68
L	#.2	1L8Z 78611B09 AAB	\$130.13

Graphite

R	#.2	1L8Z 78611B08 AAC	\$169.80
L	#.2	1L8Z 78611B09 AAC	\$178.45

Parchment

R	#.2	1L8Z 78611B08 AAA	\$157.82
L	#.2	1L8Z 78611B09 AAA	\$161.57

2003-06

Black

03-0	R	#.2	3L8Z 78611B08 AAC	\$155.90
	L	#.2	3L8Z 78611B09 AAC	\$118.97

07 R #.2 7L8Z 78611B08 BA \$134.18

L #.2 6L8Z 78611B09 BA \$119.45

Flint

03-0	R	#.2	3L8Z 78611B08 AAA	\$121.62
	L	#.2	3L8Z 78611B09 AAA	\$129.05

07 R #.2 7L8Z 78611B08 BB \$133.22

L #.2 6L8Z 78611B09 BB \$119.80

Pebble

03-0	R	#.2	3L8Z 78611B08 AAB	\$149.33
	L	#.2	3L8Z 78611B09 AAB	\$136.05

07 R #.2 7L8Z 78611B08 BC \$236.53

L #.2 6L8Z 78611B09 BC \$119.80

#w/Center Pillar Lower Trim Panel Removed

2 Buckle, Seat Belt

2001-04

R	.2	1L8Z 78610E22 AAA	\$158.93
L	.2	1L8Z 78610E23 AAA	\$158.93

2005-07

Man Seat

R	.2	6L8Z 7861202 AA	\$142.08
L	.2	6L8Z 7861203 AA	\$135.38

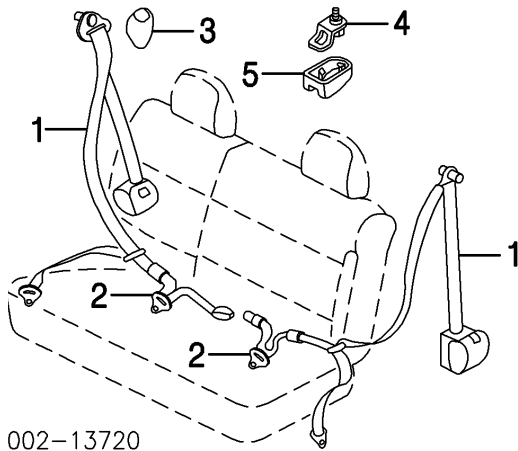
2001 Ford Escape XLT Utility

Pwr Seat	R	.2	7L8Z 7861202 BA	\$161.95
	L	.2	6L8Z 7861203 BA	\$97.22
3 Adjuster, Seat Belt				
2001-02				
Black	R		YL8Z 78602B82 AAE	\$47.07
	L		YL8Z 78602B82 AAE	\$47.07
Graphite	R		YL8Z 78602B82 AAC	\$56.08
	L		YL8Z 78602B82 AAC	\$56.08
Parchment	R		YL8Z 78602B82 AAA	\$56.97
	L		YL8Z 78602B82 AAA	\$56.97
2003-04				
Black, Flint	R		3L8Z 78602B82 AAB	\$63.30
	L		3L8Z 78602B82 AAB	\$63.30
Pebble	R		3L8Z 78602B82 AAA	\$63.30
	L		3L8Z 78602B82 AAA	\$63.30
2005-07				
Black, Flint	05-0 R		6L8Z 78602B82 AAB	\$73.33
	L		6L8Z 78602B82 AAB	\$73.33
	07 R		6L8Z 78602B82 AAB	\$73.33
	L		6L8Z 78602B82 AAB	\$73.33
Pebble	05-0 R		6L8Z 78602B82 AAA	\$43.57
	L		6L8Z 78602B82 AAA	\$43.57
	07 R		6L8Z 78602B82 AAA	\$43.57
	L		6L8Z 78602B82 AAA	\$43.57
4 Cover, Belt				
2001-02				
Black	R		YL8Z 7860262 AAE	\$10.67
	L		YL8Z 7860262 AAE	\$10.67
Graphite	R		YL8Z 7860262 AAB	\$10.87
	L		YL8Z 7860262 AAB	\$10.87
Parchment	R		YL8Z 7860262 AAA	\$10.00
	L		YL8Z 7860262 AAA	\$10.00
2003-04				
Black, Flint	R		3L8Z 7860262 AAB	\$12.30
	L		3L8Z 7860262 AAB	\$12.30
Pebble	R		3L8Z 7860262 AAA	\$10.67
	L		3L8Z 7860262 AAA	\$10.67
2005-07				
Black, Flint	R		5L8Z 7860262 AAB	\$8.38
	L		5L8Z 7860262 AAB	\$8.38
Pebble	R		5L8Z 7860262 AAA	\$8.38
	L		5L8Z 7860262 AAA	\$8.38

REAR

2001-04

2001 Ford Escape XLT Utility



002-13720

1 Belt, Seat

2001-02

Black

R #.4 3L8Z 78611B68 AAC\$104.03

L #.4 3L8Z 78611B69 AAC\$151.08

Graphite

R #.4 2L8Z 78611B68 AAB\$125.42

L #.4 2L8Z 78611B69 AAB\$126.75

Parchment

R #.4 2L8Z 78611B68 AAA\$126.20

L #.4 2L8Z 78611B69 AAA\$126.75

2003-04

Black

R #.4 3L8Z 78611B68 AAC\$104.03

L #.4 3L8Z 78611B69 AAC\$151.08

Flint

R #.4 3L8Z 78611B68 AAA\$135.45

L #.4 3L8Z 78611B69 AAA\$159.82

Pebble

R #.4 3L8Z 78611B68 AAB\$135.45

L #.4 3L8Z 78611B69 AAB\$135.27

#w/Quarter Lower Trim Panel Removed

2 Belt/Buckle, Seat

2001-02

Black

R #.2 YL8Z 7860044 AAC \$80.00

L #.2 2L8Z 7860045 AAA \$78.48

Graphite

R #.2 YL8Z 7860044 AAB \$59.50

L #.2 YL8Z 7860045 AAB \$67.93

Parchment

R #.2 YL8Z 7860044 AAA \$79.72

L #.2 YL8Z 7860045 AAA \$74.65

2003-04

Black

R #.2 YL8Z 7860044 AAC \$80.00

L #.2 2L8Z 7860045 AAA \$78.48

Flint

R #.2 3L8Z 7860044 AAA \$64.62

L #.2 3L8Z 7860045 AAA \$65.77

Pebble

R #.2 3L8Z 7860044 AAB \$64.67

L #.2 3L8Z 7860045 AAB \$64.80

2001 Ford Escape XLT Utility

#w/Rear Seat Assy Removed

3 Cover, Belt

2001-02

Black

R

YL8Z 79613C46 AAE

L

YL8Z 79613C46 AAE

Graphite

R

YL8Z 78613C46 AAB \$10.00

L

YL8Z 78613C46 AAB \$10.00

Parchment

R

YL8Z 78613C46 AAA \$6.20

L

YL8Z 78613C46 AAA \$6.20

2003-04

Black

R

YL8Z 79613C46 AAE

L

YL8Z 79613C46 AAE

Flint

R

3L8Z 78613C46 AAB \$11.63

L

3L8Z 78613C46 AAB \$11.63

Pebble

R

3L8Z 78613C46 AAA \$10.08

L

3L8Z 78613C46 AAA \$10.08

4 Anchor, Child Seat (3)

3L8Z 78613E72 AA

5 Cover, Anchor (3)

2001-02

Black, Graphite

YL8Z 78616B00 AAB \$7.53

Parchment

YL8Z 78616B00 AAA \$4.13

2003-04

Black, Flint

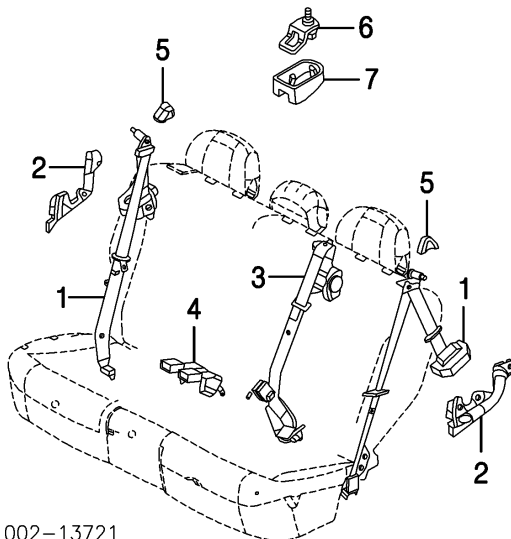
YL8Z 78616B00 AAD \$7.22

Pebble

YL8Z 78616B00 AAC \$6.38

REAR

2005-07



002-13721

1 Belt, Outer Seat

Black

R

#.2

5L8Z 78611B08 AAA\$260.68

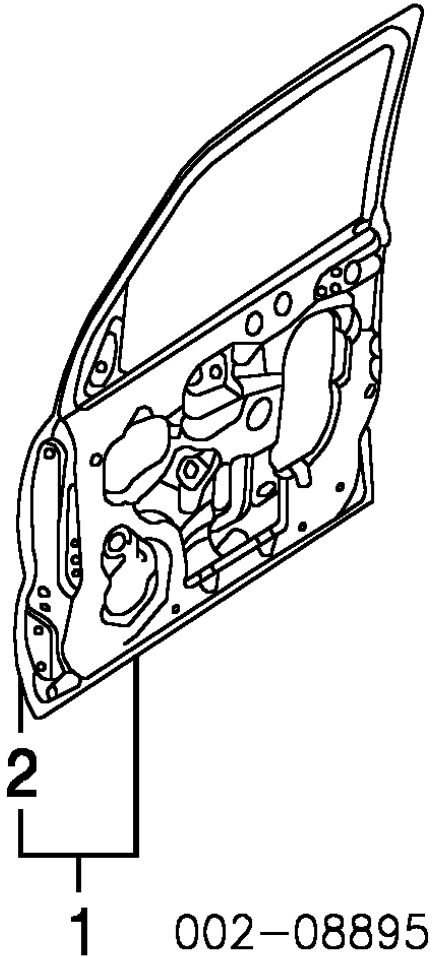
2001 Ford Escape XLT Utility

	L	#.2	6L8Z 78611B09 BA	\$119.45
Flint	R	#.2	5L8Z 78611B08 AAB	\$259.72
	L	#.2	6L8Z 78611B09 BB	\$119.80
Pebble	R	#.2	5L8Z 78611B08 AAC	\$260.50
	L	#.2	6L8Z 78611B09 BC	\$119.80
#w/Rear Seat Assy Removed				
2 Plate, Seat Belt	R		5L8Z 7860150 AA	\$21.32
	L		8L8Z 7860151 A	\$25.72
3 Belt, Center Seat				
Black		#.2	6L8Z 78611B64 AA	\$128.08
Flint		#.2	6L8Z 78611B64 AB	\$128.75
Pebble		#.2	6L8Z 78611B64 AC	\$128.93
4 Buckle, Belt				
Black	R	#.2	6L8Z 7860044 AAA	\$37.50
Flint	R	#.2	6L8Z 7860044 AAB	\$44.87
Pebble	R	#.2	6L8Z 7860044 AAC	\$56.67
#w/Rear Seat Assy Removed				
5 Cover, Seat Belt				
Black, Flint	R		3L8Z 78613C46 AAB	\$11.63
	L		3L8Z 78613C46 AAB	\$11.63
Pebble	R		3L8Z 78613C46 AAA	\$10.08
	L		3L8Z 78613C46 AAA	\$10.08
6 Anchor, Child Seat (3)			6L8Z 78613E72 AA	
7 Cover, Anchor (3)				
Black, Flint			YL8Z 78616B00 AAD	\$7.22
Pebble			YL8Z 78616B00 AAC	\$6.38

## FRONT DOOR

Procedures 16 and 28

SHEET METAL



Refinish Door Outside

R 2.3

L 2.3

Add for Jambs & Interior

R 1.0

L 1.0

Add for Jambs

R .5

L .5

R&I Door Assy

R .7

L .7

1 Shell Assy, Door  
2001-06

R #5.0 5L8Z 7820124 AA \$1,442.12

L #5.0 7L8Z 7820125 A \$1,248.48

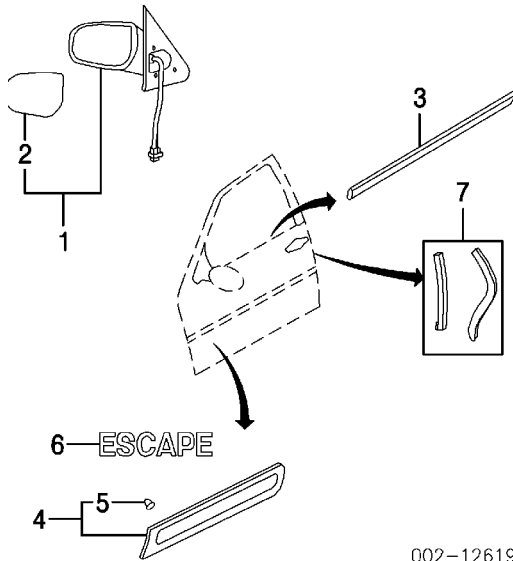
2001 Ford Escape XLT Utility

w/Keyless Entry	R	#5.0	5L8Z 7820124 AA	\$1,442.12
	L	#5.0	5E6Z 7820125 A	\$1,248.48
w/o Keyless Entry	R	#5.0	5L8Z 7820124 AA	\$1,442.12
	L	#5.0	7L8Z 7820125 A	\$1,248.48
#Includes R&R Mirror				
2 Panel, Door Repair¶				
Panel, Door Repair				
2001-06				
	R	#7.5	5L8Z 7820200 AA	\$454.93
	L	#7.5	5L8Z 7820201 AA	\$373.62
2007				
w/Keyless Entry	R	#7.5	5L8Z 7820200 AA	\$454.93
	L	#7.5	5E6Z 7820201 AA	\$373.62
w/o Keyless Entry	R	#7.5	5L8Z 7820200 AA	\$454.93
	L	#7.5	5L8Z 7820201 AA	\$373.62

¶Included w/Door Shell Assy

#Includes R&R Mirror & Door Glass

**EXTERIOR TRIM**



Refinish Door Moulding Assy	R	.5		
	L	.5		
R&I Door Mirror Assy	R	#.5		
	L	#.5		
#Includes R&I Trim Panel				
R&I Outer Belt Moulding	R	.2		
	L	.2		
R&I Door Moulding	R	.2		



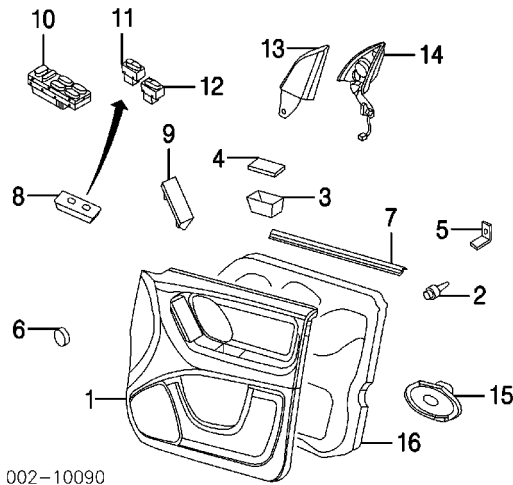
2001 Ford Escape XLT Utility

	L	.2		
1 Mirror Assy, Door				
Manual	R	#.2	YL8Z 17682 DAA	\$183.10
	L	#.2	YL8Z 17683 DAA	\$193.63
Power				
2001-02	R	#.2	2L8Z 17682 CAB	\$154.00
	L	#.2	3L8Z 17683 MAA	\$154.00
2003-06				
XLS, XLT, XLT Sport Model	R	#.2	2L8Z 17682 CAB	\$154.00
	L	#.2	3L8Z 17683 MAA	\$154.00
Limited Model	R	#.2	3L8Z 17682 VAA	\$153.02
	L	#.2	3L8Z 17683 VAA	\$146.15
			2007	
Heated	R	#.2	3L8Z 17682 VAA	\$153.02
	L	#.2	3L8Z 17683 VAA	\$146.15
Non-Heated	R	#.2	2L8Z 17682 CAB	\$154.00
	L	#.2	3L8Z 17683 MAA	\$154.00
#w/Trim Panel Removed				
2 Glass, Mirror¶				
Man Mirror-Serviced w/Door Mirror Assy				
Pwr Mirror				
2001-02	R	.3	YL8Z 17K707 DA	\$47.15
	L	.3	YL8Z 17K707 CA	\$53.47
2003-07				
Heated	R	.3	6L8Z 17K707 A	\$62.78
	L	.3	6L8Z 17K707 B	\$82.02
Non-Heated	R	.3	YL8Z 17K707 DA	\$47.15
	L	.3	YL8Z 17K707 CA	\$53.47
¶Included w/Door Mirror Assy				
3 Moulding, Outer Belt	01-0	R	.2 6L8Z 7820934 AA	\$110.42
		L	.2 6L8Z 7820935 AA	\$110.37
	07	R	.2 6L8Z 7820934 AA	\$110.42
		L	.2 6L8Z 7820935 AA	\$110.37
4 Moulding Assy, Door				
XLS, XLT Model				
w/Appearance Pkg				
			2002	
		R	.2 3L8Z 7810176 AAE	\$220.53
		L	.2 3L8Z 7810177 AAE	\$220.53
2003-07				
Gray	03-0	R	.2 5L8Z 7820878	\$133.05
		L	.2 5L8Z 7820879	\$172.57
Paint to Match		R	.2 5L8Z 7820878	\$133.05

2001 Ford Escape XLT Utility

	L	.2	5L8Z 7820879	\$172.57
w/o Appearance Pkg				
Platinum	R	.2	5L8Z 7820878 DAB	\$89.62
	L	.2	5L8Z 7820879 DAB	\$81.72
Titanium	01-0 R	.2	5L8Z 7820878 DAA	\$103.18
	L	.2	5L8Z 7820879 DAA	\$101.90
XLT Sport Model	05-0 R	.2	5L8Z 7820878 DAB	\$89.62
	L	.2	5L8Z 7820879 DAB	\$81.72
Limited Model				
2003-07				
Black, (Code UA)	03-0 R	.2	3L8Z 7810176 AAE	\$220.53
	L	.2	3L8Z 7810177 AAE	\$220.53
Gold Ash, (Code C2)	03-0 R	.2	5L8Z 7820878	\$133.05
	L	.2	N.A.	
Satin Silver, (Code TL)	03-0 R	.2	N.A.	
	L	.2	5L8Z 7820879	\$172.57
Shadow Gray, (Code CX)	03-0 R	.2	5L8Z 7820878 AAPT	\$133.05
	L	.2	5L8Z 7820879	\$172.57
True Blue, (Code L2)	03-0 R	.2	5L8Z 7820878	\$133.05
	L	.2	N.A.	
Paint to Match	R	.2	5L8Z 7820878	\$133.05
	L	.2	5L8Z 7820879	\$172.57
5 Clip, Moulding (a) (b) (c)	R		YL8Z 7820806 AA	\$4.50
	L		YL8Z 7820806 AA	\$4.50
(a) Included w/Door Moulding Assy				
(b) As Required				
(c) Non-Reusable Part				
6 Nameplate (Adhesive)				
"ESCAPE"	R	.2	YL8Z 7842528 AC	\$29.00
	L	.2	YL8Z 7842528 AC	\$29.00
7 Guard Set, Door Edge (d)				
Black			YL8Z 7820910 BA	\$54.29
Stainless Steel			YL8Z 7820910 AA	\$54.29
(d) Set of 4				
<b>INTERIOR TRIM</b>				

2001 Ford Escape XLT Utility



002-10090

R&I Trim Panel

R	.3
L	.3

NOTE: All Parts in this section are included in R&R Trim Panel unless noted otherwise.

1 Panel, Trim

	2001				
Cloth Seats	R	.4	YL8Z 7823942 AAB	\$421.78	
	L	.4	YL8Z 7823943 AAB	\$333.43	
Cloth/Vinyl Seats					
Man Windows	R	.4	YL8Z 7823942 GAB	\$220.98	
	L	.4	YL8Z 7823943 GAB	\$235.88	
Pwr Windows	R	.4	YL8Z 7823942 JAB	\$262.03	
	L	.4	YL8Z 7823943 JAB	\$259.37	
Leather Seats					
To 3-30-01	R	.4	1L8Z 7823942 LAB	\$249.15	
	L	.4	1L8Z 7823943 LAB	\$240.03	
From 3-31-01	R	.4	YL8Z 7823942 FAB	\$287.03	
	L	.4	YL8Z 7823943 FAB	\$300.72	
	2002				
Cloth Seats	R	.4	YL8Z 7823942 AAB	\$421.78	
	L	.4	YL8Z 7823943 AAB	\$333.43	
Cloth/Vinyl Seats					
Man Windows	R	.4	YL8Z 7823942 GAB	\$220.98	
	L	.4	YL8Z 7823943 GAB	\$235.88	
Pwr Windows	R	.4	YL8Z 7823942 JAB	\$262.03	
	L	.4	YL8Z 7823943 JAB	\$259.37	
Leather Seats	R	.4	YL8Z 7823942 FAB	\$287.03	
	L	.4	YL8Z 7823943 FAB	\$300.72	
	2003				
To 12-1-02					
Cloth Seats	R	.4	3L8Z 7823942 AAB	\$612.50	

2001 Ford Escape XLT Utility

	L	.4	3L8Z 7823943 FAB	\$641.48
Cloth/Vinyl Seats	R	.4	3L8Z 7823942 JAA	\$267.35
	L	.4	3L8Z 7823943 GAA	\$337.57
Leather Seats	R	.4	3L8Z 7823942 FAE	\$612.50
	L	.4	1L8Z 7823943 JAB	\$612.50
From 12-2-02				
Cloth Seats	R	.4	3L8Z 7823942 AAA	\$552.17
	L	.4	3L8Z 7823943 FAD	\$771.67
Cloth/Vinyl Seats	R	.4	3L8Z 7823942 JJA	\$397.53
	L	.4	3L8Z 7823943 GAB	\$343.78
Leather Seats	R	.4	3L8Z 7823942 FAB	\$655.55
	L	.4	1L8Z 7823943 JAC	\$601.42
			2004	
Cloth Seats	R	.4	3L8Z 7823942 AAA	\$552.17
	L	.4	3L8Z 7823943 FAD	\$771.67
Cloth/Vinyl Seats	R	.4	3L8Z 7823942 JJA	\$397.53
	L	.4	3L8Z 7823943 GAB	\$343.78
Leather Seats	R	.4	3L8Z 7823942 FAB	\$655.55
	L	.4	1L8Z 7823943 JAC	\$601.42
			2005-06	
Cloth Seats	R	.4	5L8Z 7823942 FAB	\$612.50
	L	.4	5L8Z 7823943 FAA	\$398.47
Cloth/Vinyl Seats	R	.4	3L8Z 7823942 JJA	\$397.53
	L	.4	3L8Z 7823943 GAB	\$343.78
Leather Seats	R	.4	5L8Z 7823942 GAB	\$641.48
	L	.4	5L8Z 7823943 GAB	\$364.58
			2007	
Cloth Seats	R	.4	5L8Z 7823942 BAA	\$360.27
	L	.4	5L8Z 7823943 BAA	\$360.27
Leather Seats	R	.4	5L8Z 7823942 AAB	\$543.92
	L	.4	5L8Z 7823943 AAB	\$386.15
			¶Order by Application	
2 Clip, Trim Panel¶	R		* W711037 S300	\$2.00
	L		* W711037 S300	\$2.00
			¶As Required	
3 Handle, Pull				
2001-02				
Black	02 R		5L8Z 7822635 AAA	\$16.88
	L		5L8Z 7822635 AAA	\$16.88
Graphite	R		YL8Z 7822635 AAB	\$11.85
	L		YL8Z 7822635 AAB	\$11.85
Parchment	R		YL8Z 7822635 AAA	\$13.17
	L		YL8Z 7822635 AAA	\$13.17
			2003	
Black	R		5L8Z 7822635 AAA	\$16.88
	L		5L8Z 7822635 AAA	\$16.88

2001 Ford Escape XLT Utility

Flint				
To 12-1-02	R		1L8Z 7822635 AAC	\$14.00
	L		1L8Z 7822635 AAC	\$14.00
From 12-2-02	R		5L8Z 7822635 AAB	\$17.63
	L		5L8Z 7822635 AAB	\$17.63
Pebble	R		5L8Z 7822635 AAC	\$18.67
	L		5L8Z 7822635 AAC	\$18.67
2004-07				
Black	R		5L8Z 7822635 AAA	\$16.88
	L		5L8Z 7822635 AAA	\$16.88
Flint	R		5L8Z 7822635 AAB	\$17.63
	L		5L8Z 7822635 AAB	\$17.63
Pebble	04-0	R	5L8Z 7822635 AAC	\$18.67
		L	5L8Z 7822635 AAC	\$18.67
	07	R	5L8Z 7822635 AAC	\$18.67
		L	5L8Z 7822635 AAC	\$18.67
4 Insert, Pull Handle	01-0	R	YL8Z 78237W19 AA	\$16.90
		L	YL8Z 78237W19 AA	\$16.90
5 Brkt, Pull Handle		R	YL8Z 7822606 AA	\$18.17
		L	YL8Z 7822606 AA	\$18.17
6 Cap, Screw				
2001-02				
Black	02	R	YL8Z 78237W10 AAF	\$8.82
		L	YL8Z 78237W10 AAF	\$8.82
Graphite		R	YL8Z 78237W10	\$3.75
		L	YL8Z 78237W10	\$3.75
Parchment		R	YL8Z 78237W10	\$3.75
		L	YL8Z 78237W10	\$3.75
	2003			
Black		R	YL8Z 78237W10 AAF	\$8.82
		L	YL8Z 78237W10 AAF	\$8.82
Flint				
To 12-1-02	R		YL8Z 78237W10	\$8.82
	L		YL8Z 78237W10	\$8.82
From 12-2-02	R		YL8Z 78237W10	\$8.82
	L		YL8Z 78237W10	\$8.82
Pebble	R		YL8Z 78237W10	\$8.33
	L		YL8Z 78237W10	\$8.33
2004-07				
Black	R		YL8Z 78237W10 AAF	\$8.82
	L		YL8Z 78237W10 AAF	\$8.82
Flint	R		YL8Z 78237W10	\$8.82
	L		YL8Z 78237W10	\$8.82
Pebble	R		YL8Z 78237W10	\$8.33
	L		YL8Z 78237W10	\$8.33
7 Moulding, Inner Belt		R	YL8Z 7820568 BA	\$18.37

2001 Ford Escape XLT Utility

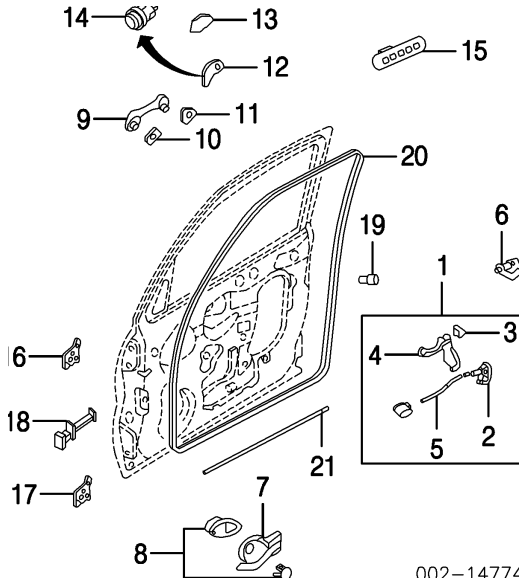
		L		YL8Z 7820569 BA	\$15.93
8 Housing, Window Switch					
2001-02¶		R	.2	YL8Z 14527 BAC	\$30.98
		L	.2	YL8Z 14528 BAC	\$37.18
2003-04					
XLS Model¶		R	.2	3L8Z 14527 BBE	\$17.17
		L	.2	3L8Z 14528 BBE	\$17.75
XLT, Limited Model		R	.2	3L8Z 14527 BBF	\$22.25
		L	.2	3L8Z 14528 BBF	\$28.13
	2005				
To 8-2-04					
XLS Model¶		R	.2	3L8Z 14527 BBE	\$17.17
		L	.2	3L8Z 14528 BBE	\$17.75
XLT, Limited Model		R	.2	3L8Z 14527 BBF	\$22.25
		L	.2	3L8Z 14528 BBF	\$28.13
From 8-3-04		R	.2	5L8Z 14527 BAB	\$43.52
		L	.2	5L8Z 14528 BAB	\$42.97
2006-07		R	.2	5L8Z 14527 BAB	\$43.52
		L	.2	5L8Z 14528 BAB	\$42.97
¶Order by Application					
9 Bezel, Window Switch					
Man Windows					
Graphite		R		YL8Z 14524 AFC	\$12.98
		L		YL8Z 14525 BAC	\$11.61
Parchment		R		YL8Z 14524 AFA	\$13.98
		L		YL8Z 14525 BAA	\$11.30
10 Switch, Main Window		L	.2	3L8Z 14529 AAA	\$148.08
		L	.2	N.A.	
11 Switch, Assist Window		R	.2	YF1Z 14529 ABA	\$16.92
12 Switch, Door Lock		R	.2	3L8Z 14028 AAA	\$72.02
13 Cover, Mirror		R	.1	YL8Z 17K709 AAB	\$17.00
		L	.1	YL8Z 17K709 AAC	\$16.23
14 Speaker, Upper					
	01-0	R	#.2	YL8Z 18808 AA	\$33.26
		L	#.2	YL8Z 18808 BA	\$35.34
	05-0	R	#.2	6L8Z 18808 AA	\$108.20
		L	#.2	6L8Z 18808 BA	\$108.20
15 Speaker, Lower¶					
2001-06					
w/Audiophile System		R	#.2	3W4Z 18808 AA	\$96.93
		L	#.2	3W4Z 18808 AA	\$96.93
w/o Audiophile System		R	#.2	9U5Z 18808 A	\$24.84
		L	#.2	9U5Z 18808 A	\$24.84
	2007	R	#.2	7U5Z 18808 B	\$24.84
		L	#.2	7U5Z 18808 B	\$24.84
¶Order by Application					
16 Shield, Moisture		07 R	#	7L8Z 78237A04 A	\$28.00

2001 Ford Escape XLT Utility

L # 7L8Z 78237A05 A \$22.92

#w/Trim Panel Removed, Not Included in R&R Trim Panel

**HARDWARE**



Refinish Upper Hinge

R .5

L .5

Refinish Lower Hinge

R .5

L .5

R&I Outside Handle

R #.6

L #.6

#Includes R&I Trim Panel

1 Latch Assy, Door

Man Locks

01-0 R #.3 YL8Z 78219A64 AAA\$253.10

L #.3 YL8Z 78219A65 AAA\$239.12

Pwr Locks

2001

w/Keyless Entry

R #.3 2L8Z 78219A64 BAB\$268.33

L #.3 6L8Z 78219A65 DA \$175.20

w/o Keyless Entry

R #.3 2L8Z 78219A64 BAB\$268.33

L #.3 6L8Z 78219A65 DA \$175.20

2002

w/Keyless Entry

To 11-4-01

R #.3 2L8Z 78219A64 BAB\$268.33

L #.3 6L8Z 78219A65 DA \$175.20

From 11-5-01

R #.3 5L8Z 78219A64 DA \$174.62

L #.3 2L8Z 78219A65 CAA\$247.28

w/o Keyless Entry

R #.3 2L8Z 78219A64 BAB\$268.33

2001 Ford Escape XLT Utility

		L	#.3	6L8Z 78219A65 DA	\$175.20
2003-04					
w/Keyless Entry		R	#.3	5L8Z 78219A64 DA	\$174.62
		L	#.3	2L8Z 78219A65 CAA	\$247.28
w/o Keyless Entry		R	#.3	2L8Z 78219A64 BAB	\$268.33
		L	#.3	6L8Z 78219A65 DA	\$175.20
2005-06		R	#.3	5L8Z 78219A64 DA	\$174.62
		L	#.3	6L8Z 78219A65 DA	\$175.20
	2007	R	#.3	N.A.	
		L	#.3	N.A.	
2 Latch¶					
Man Locks (a)					
2001-06		R	#.3	YL8Z 7821812 AA	\$150.70
		L	#.3	YL8Z 7821813 AA	\$121.52
Pwr Locks					
2001-02					
Single Lock Lever		R	#.3	4W4Z 5421812 B	\$179.65
		L	#.3	4W4Z 5421813 A	\$117.28
Double Lock Lever		R	#.3	2W4Z 5421812 CA	\$178.07
		L	#.3	4W4Z 5421813 A	\$117.28
2003-04		R	#.3	4W4Z 5421812 B	\$179.65
		L	#.3	4W4Z 5421813 A	\$117.28
2005-07		R	#.3	6L8Z 7821812 B	\$155.92
		L	#.3	6L8Z 7821813 B	\$167.35
(a) Order by Application					
#w/Trim Panel Removed					
3 Retainer¶		R		8S4Z 5421952 A	\$13.32
		L		8S4Z 5421952 A	\$13.32
4 Reinf, Latch¶		R		6L8Z 78224N02 AA	\$44.93
		L		2L8Z 78223N03 AA	\$42.57
5 Cable, Door Latch¶					
Man Locks		01-0	R	YL8Z 78221A00 AA	\$19.73
			L	YL8Z 78221A01 AA	\$23.68
		05-0	R	6L8Z 78221A00 AA	\$31.02
			L	6L8Z 78221A01 AA	\$30.28
Pwr Locks-Serviced w/Latch					
¶Included w/Door Latch Assy					
6 Striker, Latch					
2001-04		R	.2	8E5Z 5422008 A	\$12.87
		L	.2	8E5Z 5422008 A	\$12.87
	2005				
To 7-25-04		R	.2	8E5Z 5422008 A	\$12.87
		L	.2	8E5Z 5422008 A	\$12.87
From 7-26-04		R	.2	8E5Z 5422008 A	\$12.87



2001 Ford Escape XLT Utility

		L	.2	8E5Z 5422008 A	\$12.87
2006-07		R	.2	8E5Z 5422008 A	\$12.87
		L	.2	8E5Z 5422008 A	\$12.87
7 Handle, Inside		R	#.2	1L8Z 7822600 AAA	\$41.93
		L	#.2	1L8Z 7822601 AAA	\$42.45
#w/Trim Panel Removed					
8 Bezel, Inside Handle					
2001-04		R		5L8Z 7822620 BAA	\$16.13
		L		5L8Z 7822621 BAA	\$16.13
2005-06					
Black		R		5L8Z 7822620 BAA	\$16.13
		L		5L8Z 7822621 BAA	\$16.13
Pebble (a)		R		5L8Z 7822620 BC	\$20.83
		L		5L8Z 7822621 BC	\$18.42
	2007	R		5L8Z 7822620 BAA	\$16.13
		L		5L8Z 7822621 BAA	\$16.13
(a) Order by Application					
9 Handle, Outside					
2001-02		R	#.3	8L8Z 7822404 AB	\$14.10
		L	#.3	8L8Z 7822404 AB	\$14.10
2003-07					
XLS, XLT Model		R	#.3	8L8Z 7822404 AB	\$14.10
		L	#.3	8L8Z 7822404 AB	\$14.10
XLT Sport Model	05-0	R	#.3	8L8Z 7822404 AB	\$14.10
		L	#.3	8L8Z 7822404 AB	\$14.10
Limited Model					
Black, (Code UA)	03-0	R	#.3	8L8Z 7822404	\$40.03
		L	#.3	8L8Z 7822404	\$40.03
Satin Silver, (Code TL)	03-0	R	#.3	8L8Z 7822404	\$40.03
		L	#.3	8L8Z 7822404	\$40.03
Silver, (Code YN)	05-0	R	#.3	8L8Z 7822404	\$40.03
		L	#.3	8L8Z 7822404	\$40.03
True Blue, (Code L2)	03-0	R	#.3	8L8Z 7822404	\$40.03
		L	#.3	8L8Z 7822404	\$40.03
Paint to Match		R	#.3	8L8Z 7822404	\$40.03
		L	#.3	8L8Z 7822404	\$40.03
#w/Trim Panel Removed					
10 Pad, Front Handle		R		YS4Z 5422042 AA	\$6.13
		L		YS4Z 5422042 AA	\$6.13
11 Pad, Rear Handle		R		YS4Z 5422042 BA	\$6.13
		L		YS4Z 5422042 BA	\$6.13
12 Cap, Lock Cylinder					
2001-02		R		8L8Z 78218A14 AB	\$10.55
		L		8L8Z 78218A14 AB	\$10.55
2003-07					
XLS, XLT Model		R		8L8Z 78218A14 AB	\$10.55

2001 Ford Escape XLT Utility

		L		8L8Z 78218A14 AB	\$10.55
XLT Sport Model	05-0	R		8L8Z 78218A14 AB	\$10.55
		L		8L8Z 78218A14 AB	\$10.55
Limited Model (P)		R		AL8Z 78218A14	\$8.62
		L		AL8Z 78218A14	\$8.62
(P) Paint to Match					
13 Bezel, Lock Cylinder					
2001-02		R		8L8Z 78218B08 AB	\$8.93
		L		8L8Z 78218B08 AB	\$8.93
2003-07					
XLS, XLT Model	03-0	R		8L8Z 78218B08 AB	\$8.93
		L		8L8Z 78218B08 AB	\$8.93
	07	R		8L8Z 78218B08 AB	\$8.93
		L		8L8Z 78218B08 AB	\$8.93
XLT Sport Model	05-0	R		8L8Z 78218B08 AB	\$8.93
		L		8L8Z 78218B08 AB	\$8.93
	07	R		8L8Z 78218B08 AB	\$8.93
		L		8L8Z 78218B08 AB	\$8.93
Limited Model					
Black, (Code UA)	03-0	R		8L8Z 78218B08	\$15.40
		L		8L8Z 78218B08	\$15.40
Paint to Match		R		8L8Z 78218B08	\$15.40
		L		8L8Z 78218B08	\$15.40
14 Cylinder, Lock					
2001-06		R	#.2	8S4Z 5421990 A	\$51.58
		L	#.2	8E5Z 5421991 B	\$66.00
	2007	L	#.2	8E5Z 5421991 B	\$66.00
#w/Trim Panel Removed, Included in R&R Outside Handle					
15 Pad, Keyless Entry					
Factory Installed		L	#.3	4C3Z 14A626 AA	\$142.56
Dealer Installed		L	#.3	4C3Z 14A626 AA	\$142.56
#w/Trim Panel Removed					
16 Hinge, Upper	01-0	R	#.2	YL8Z 7822800 AA	\$32.98
		L	#.2	7L8Z 7822801 A	\$26.57
	07	R	#.2	7L8Z 7822800 A	\$32.00
		L	#.2	7L8Z 7822801 A	\$26.57
#w/Fender, Instrument Panel & Door Removed					
17 Hinge, Lower	01-0	R	#.5	7L8Z 7822810 A	\$22.60
		L	#.5	7L8Z 7822811 A	\$22.50
	07	R	#.5	7L8Z 7822810 A	\$22.60
		L	#.5	7L8Z 7822811 A	\$22.50

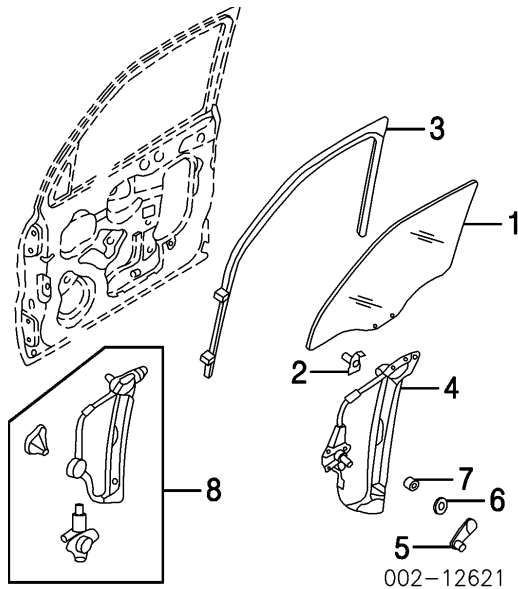
2001 Ford Escape XLT Utility

#w/Fender & Door Removed, Includes R&R Cowl Trim Panel

18 Check, Door	R	#.2	YL8Z 7823552 AA	\$28.60
	L	#.2	YL8Z 7823552 AA	\$28.60
#w/Trim Panel Removed				
19 Bumper, Door	R		* W707664 S300	\$2.75
	L		* W707664 S300	\$2.75
20 W/Strip, Door (On Body)	R	.5	5L8Z 7820530 A	\$56.78
	L	.5	5L8Z 7820530 A	\$56.78
21 Seal, Door (On Door)	07 R	.2	5F9Z 7420272 AA	\$24.43
	L	.2	5F9Z 7420272 AA	\$24.43
Harness, Wiring (a)				
	R		7L8Z 14630 JA	
	L		7L8Z 14630 FA	\$60.40

(a) Order by Application

**GLASS & PARTS**



1 Glass, Door				
Ford, (Tint)	R	1.0	5L8Z 7821410 AA	\$177.83
	L	1.0	5L8Z 7821411 AA	\$177.83
NAGS	R	1.0	DD09751GTN	\$175.00
	L	1.0	DD09752GTN	\$175.00
2 Retainer, Glass¶	R		3L8Z 78214A56 AA	\$4.98
	L		3L8Z 78214A56 AA	\$4.98
¶As Required				
3 Run, Glass	R	#.2	YL8Z 7821546 BAA	\$119.07
	L	#.2	YL8Z 7821547 BAA	\$131.43
#w/Door Glass Removed				
4 Regulator, Manual	R	#.8	YL8Z 7823200 AA	\$44.92

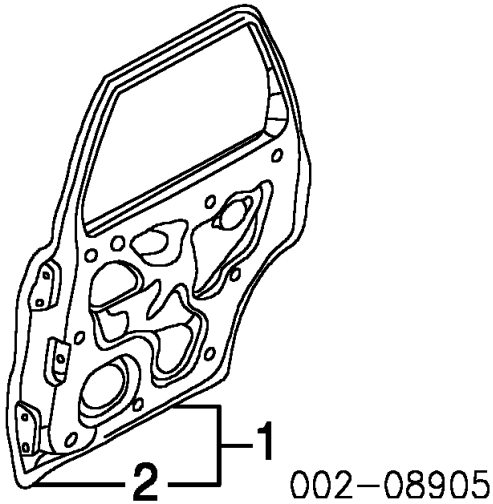
2001 Ford Escape XLT Utility

	L	#.8	YL8Z 7823201 AA	\$44.03
#w/Door Glass Removed Deduct .6				
5 Handle, Regulator				
Graphite	R	.1	YL8Z 7823342 BAB	\$7.20
	L	.1	YL8Z 7823342 BAB	\$7.20
Parchment	R	.1	YL8Z 7823342 BAA	\$7.20
	L	.1	YL8Z 7823342 BAA	\$7.20
6 Escutcheon, Handle				
Graphite	R		YL8Z 7823370 AAC	
	L		YL8Z 7823370 AAC	
Parchment	R		YL8Z 7823370 AAB	\$4.60
	L		YL8Z 7823370 AAB	\$4.60
7 Seal, Handle	R		YL8Z 7827468 AA	\$4.74
	L		YL8Z 7827468 AA	\$4.74
8 Regulator, Power¶	R	#.8	2L8Z 7823200 BA	\$81.98
	L	#.8	2L8Z 7823201 BA	\$86.98
¶Includes Motor				
#w/Door Glass Removed Deduct .6				

## REAR DOOR

Procedures 16 and 28

### SHEET METAL



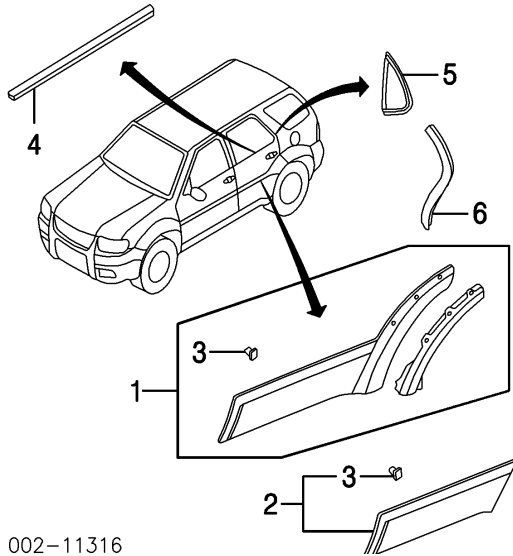
Refinish Door Outside	R	2.3			
	L	2.3			
Add for Jamb & Interior	R	1.0			
	L	1.0			
Add for Jamb	R	.5			
	L	.5			
R&I Door Assy	R	.7			
	L	.7			
1 Shell Assy, Door					
w/Wheel Opening Mldgs	R	4.7	YL8Z 7824630 EA	\$1,522.65	
	L	4.7	YL8Z 7824631 EA	\$1,523.32	
w/o Wheel Opening Mldgs	R	4.5	YL8Z 7824630 AA	\$1,810.63	
	L	4.5	YL8Z 7824631 AA	\$1,538.28	
2 Panel, Door Repair¶					
Panel, Door Repair					
w/Wheel Opening Mldgs	R	#7.2	YL8Z 7824700 EA	\$419.68	
	L	#7.2	YL8Z 7824701 EA	\$334.33	
w/o Wheel Opening Mldgs	R	#7.0	YL8Z 7824700 AA	\$422.17	
	L	#7.0	YL8Z 7824701 AA	\$334.33	

¶Included w/Door Shell Assy

#Includes R&R Door Glass

### EXTERIOR TRIM

2001 Ford Escape XLT Utility



002-11316

Refinish Door Moulding Assy

R .5

L .5

R&I Door Moulding Assy

R .3

L .3

R&I Outer Belt Moulding

R .2

L .2

Moulding Assy, Door

1 w/Wheel Opening Mldgs

2001-06

XLT Model

w/Appearance Pkg

Black

R .3 3L8Z 7825556 \$184.40

L .3 N.A.

Gray

R .3 3L8Z 7825556 \$184.40

L .3 N.A.

Paint to Match

R .3 3L8Z 7825556 \$184.40

L .3 3L8Z 7825557 \$170.83

w/o Appearance Pkg

Platinum

R .3 2L8Z 7825556 HAB \$106.07

L .3 2L8Z 7825557 HAB \$99.37

Titanium

01-0 R .3 2L8Z 7825556 HAA \$107.67

L .3 2L8Z 7825557 HAA \$127.58

XLT Sport Model

R .3 N.A.

L .3 N.A.

Limited Model

Black, (Code UA)

03-0 R .3 3L8Z 7825556 \$184.40

L .3 N.A.

Redfire, (Code G2)

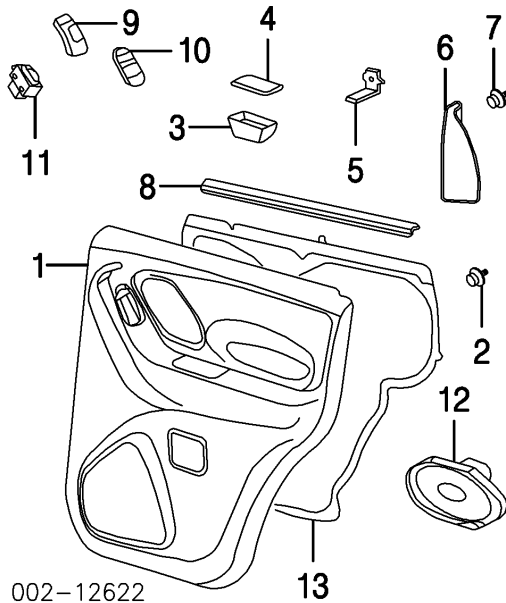
05-0 R .3 3L8Z 7825556 \$184.40

2001 Ford Escape XLT Utility

	L	.3	3L8Z 7825557	\$170.83
Satin Silver, (Code TL)	03-0 R	.3	3L8Z 7825556	\$184.40
	L	.3	N.A.	
Shadow Gray, (Code CX)	03-0 R	.3	3L8Z 7825556 AAPT	\$184.40
	L	.3	N.A.	
True Blue, (Code L2)	03-0 R	.3	N.A.	
	L	.3	3L8Z 7825557	\$170.83
	2007			
Smooth Finish (P)	R	.3	3L8Z 7825556	\$184.40
	L	.3	3L8Z 7825557	\$170.83
Textured Finish	R	.3	2L8Z 7825556 HAB	\$106.07
	L	.3	2L8Z 7825557 HAB	\$99.37
2 w/o Wheel Opening Mldgs				
Platinum	R	.3	YL8Z 78101A04 FAB	\$67.95
	L	.3	YL8Z 78101A05 FAB	\$67.58
Titanium	01-0 R	.3	YL8Z 78101A04 FAA	\$73.67
	L	.3	YL8Z 78101A05 FAA	\$66.67
(P) Paint to Match				
3 Clip, Mldg (a) (b)¶				
Type 1	R		YL8Z 7820806 AA	\$4.50
	L		YL8Z 7820806 AA	\$4.50
Type 2	02-0 R		2L8Z 7820806 DA	\$5.48
	L		2L8Z 7820806 DA	\$5.48
¶Included w/Door Moulding Assy				
(a) As Required				
(b) Non-Reusable Part				
4 Moulding, Outer Belt	01-0 R	.2	6L8Z 7825554 AA	\$93.53
	L	.2	6L8Z 7825555 AA	\$93.53
	07 R	.2	6L8Z 7825554 AA	\$93.53
	L	.2	6L8Z 7825555 AA	\$93.53
5 Moulding, Corner	R	.2	YL8Z 7825532 AAA	\$24.35
	L	.2	YL8Z 7825533 AAA	\$24.35
6 Guard Set, Door Edge-See Front Door Section				

INTERIOR TRIM

2001 Ford Escape XLT Utility



002-12622

R&I Trim Panel

R	.3
L	.3

NOTE: All Parts in this section are included in R&R Trim Panel unless noted otherwise.

1 Panel, Trim¶

	2001				
Cloth Seats	R	.4	YL8Z 7827406	HAB	\$272.25
	L	.4	YL8Z 7827407	HAB	\$280.27
Cloth/Vinyl Seats	R	.4	YL8Z 7827406	BAB	\$205.00
	L	.4	YL8Z 7827407	BAB	\$185.88
Man Windows	R	.4	YL8Z 7827406	CAB	\$293.38
	L	.4	YL8Z 7827407	CAB	\$292.83
Leather Seats	R	.4	1L8Z 7827406	LAB	\$261.60
	L	.4	1L8Z 7827407	LAB	\$223.15
To 3-30-01	R	.4	YL8Z 7827406	GAB	\$280.78
	L	.4	YL8Z 7827407	GAB	\$354.62
From 3-31-01	R	.4	YL8Z 7827406	GAB	\$280.78
	L	.4	YL8Z 7827407	GAB	\$354.62
	2002				
Cloth Seats	R	.4	YL8Z 7827406	HAB	\$272.25
	L	.4	YL8Z 7827407	HAB	\$280.27
Cloth/Vinyl Seats	R	.4	YL8Z 7827406	BAB	\$205.00
	L	.4	YL8Z 7827407	BAB	\$185.88
Man Windows	R	.4	YL8Z 7827406	CAB	\$293.38
	L	.4	YL8Z 7827407	CAB	\$292.83
Leather Seats	R	.4	YL8Z 7827406	GAB	\$280.78
	L	.4	YL8Z 7827407	GAB	\$354.62



2001 Ford Escape XLT Utility

		L	.4 YL8Z 7827407 GAB	\$354.62
	2003			
To 12-1-02				
Cloth Seats		R	.4 3L8Z 7827406 CAB	\$452.12
		L	.4 3L8Z 7827407 AAB	\$390.67
Cloth/Vinyl Seats		R	.4 3L8Z 7827406 EAA	\$336.95
		L	.4 3L8Z 7827407 FAC	\$286.92
Leather Seats		R	.4 3L8Z 7827406 DAC	\$250.57
		L	.4 3L8Z 7827407 HAV	\$248.83
From 12-2-02				
Cloth Seats		R	.4 3L8Z 7827406 CAC	\$465.15
		L	.4 3L8Z 7827407 AAC	\$373.10
Cloth/Vinyl Seats		R	.4 3L8Z 7827406 EAB	\$316.97
		L	.4 3L8Z 7827407 FAA	\$386.17
Leather Seats		R	.4 3L8Z 7827406 DAD	\$343.57
		L	.4 3L8Z 7827407 HAW	\$342.45
	2004			
Cloth Seats		R	.4 3L8Z 7827406 CAC	\$465.15
		L	.4 3L8Z 7827407 AAC	\$373.10
Cloth/Vinyl Seats		R	.4 3L8Z 7827406 EAB	\$316.97
		L	.4 3L8Z 7827407 FAA	\$386.17
Leather Seats		R	.4 3L8Z 7827406 DAD	\$343.57
		L	.4 3L8Z 7827407 HAW	\$342.45
2005-06				
Cloth Seats		R	.4 5L8Z 7827406 FAA	\$463.10
		L	.4 5L8Z 7827407 FAA	\$344.63
Cloth/Vinyl Seats		R	.4 3L8Z 7827406 EAB	\$316.97
		L	.4 3L8Z 7827407 FAA	\$386.17
Leather Seats		R	.4 5L8Z 7827406 GAB	\$358.20
		L	.4 5L8Z 7827407 GAB	\$342.75
	2007			
Cloth Seats		R	.4 3L8Z 7827406 DAA	\$464.87
		L	.4 3L8Z 7827407 HAW	\$342.45
Leather Seats		R	.4 3L8Z 7827406 DAA	\$464.87
		L	.4 3L8Z 7827407 HAX	\$551.30
¶Order by Application				
2 Clip, Trim Panel (a)		R	* W711037 S300	\$2.00
		L	* W711037 S300	\$2.00
(a) As Required				
3 Handle, Pull				
2001-02				
Black	02	R	5L8Z 7822635 AAA	\$16.88
		L	5L8Z 7822635 AAA	\$16.88
Graphite		R	YL8Z 7822635 AAB	\$11.85
		L	YL8Z 7822635 AAB	\$11.85
Parchment		R	YL8Z 7822635 AAA	\$13.17

2001 Ford Escape XLT Utility

		L	YL8Z 7822635 AAA	\$13.17
	2003			
Black		R	5L8Z 7822635 AAA	\$16.88
		L	5L8Z 7822635 AAA	\$16.88
Flint				
To 12-1-02		R	1L8Z 7822635 AAC	\$14.00
		L	1L8Z 7822635 AAC	\$14.00
From 12-2-02		R	5L8Z 7822635 AAB	\$17.63
		L	5L8Z 7822635 AAB	\$17.63
Pebble		R	5L8Z 7822635 AAC	\$18.67
		L	5L8Z 7822635 AAC	\$18.67
2004-07				
Black		R	5L8Z 7822635 AAA	\$16.88
		L	5L8Z 7822635 AAA	\$16.88
Flint		R	5L8Z 7822635 AAB	\$17.63
		L	5L8Z 7822635 AAB	\$17.63
Pebble	04-0	R	5L8Z 7822635 AAC	\$18.67
		L	5L8Z 7822635 AAC	\$18.67
	07	R	5L8Z 7822635 AAC	\$18.67
		L	5L8Z 7822635 AAC	\$18.67
4 Insert, Pull Handle	01-0	R	YL8Z 78237W19 AA	\$16.90
		L	YL8Z 78237W19 AA	\$16.90
5 Brkt, Pull Handle		R	YL8Z 7822606 AA	\$18.17
		L	YL8Z 7822606 AA	\$18.17
6 Mldg, Upper Corner		R	.1 YL8Z 78255A18 BAA	\$22.32
		L	.1 YL8Z 78255A19 BAA	\$22.32
7 Clip, Moulding (a)		R	* W711037 S300	\$2.00
		L	* W711037 S300	\$2.00
(a) As Required				
8 Moulding, Inner Belt		R	YL8Z 7825824 BA	\$25.17
		L	YL8Z 7825825 BA	\$25.37
9 Housing, Window Switch				
2001-02				
Black		R	.2 YL8Z 14527 AAD	\$12.98
		L	.2 YL8Z 14527 AAD	\$12.98
Graphite		R	.2 YL8Z 14527 AAE	\$13.98
		L	.2 YL8Z 14527 AAE	\$13.98
Parchment		R	.2 YL8Z 14527 AAC	\$12.98
		L	.2 YL8Z 14527 AAC	\$12.98
	2003			
Black		R	.2 YL8Z 14527 AAD	\$12.98
		L	.2 YL8Z 14527 AAD	\$12.98
Flint				
To 12-1-02		R	.2 3L8Z 14527 AAA	\$17.17
		L	.2 3L8Z 14527 AAA	\$17.17
From 12-2-03		R	.2 3L8Z 14527 AAB	\$31.80

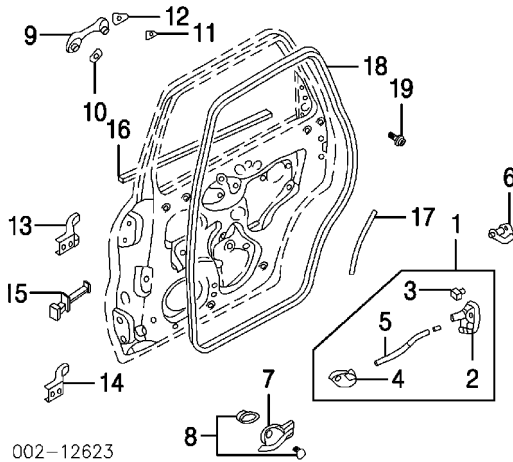
2001 Ford Escape XLT Utility

		L		.2	3L8Z 14527 AAB	\$31.80
Pebble		R		.2	3L8Z 14527 AAC	\$19.02
		L		.2	3L8Z 14527 AAC	\$19.02
2004-07						
Black		R		.2	YL8Z 14527 AAD	\$12.98
		L		.2	YL8Z 14527 AAD	\$12.98
Flint		R		.2	3L8Z 14527 AAB	\$31.80
		L		.2	3L8Z 14527 AAB	\$31.80
Pebble		R		.2	3L8Z 14527 AAC	\$19.02
		L		.2	3L8Z 14527 AAC	\$19.02
10 Bezel, Window Switch						
Man Windows						
Graphite		R			YL8Z 14524 CAC	\$10.52
		L			YL8Z 14524 CAC	\$10.52
Parchment		R			YL8Z 14524 CAA	\$11.65
		L			YL8Z 14524 CAA	\$11.65
11 Switch, Window		R		.2	YF1Z 14529 ABA	\$16.92
		L		.2	YF1Z 14529 ABA	\$16.92
12 Speaker¶						
2001-06						
w/Audiophile System	01-0	R	#.2		3W4Z 18808 AA	\$96.93
		L	#.2		3W4Z 18808 AA	\$96.93
w/o Audiophile System		R	#.2		9U5Z 18808 A	\$24.84
		L	#.2		9U5Z 18808 A	\$24.84
	2007	R	#.2		7U5Z 18808 B	\$24.84
		L	#.2		7U5Z 18808 B	\$24.84
¶Order by Application						
13 Shield, Moisture		R	#		N.A.	
		L	#		N.A.	

#w/Trim Panel Removed, Not Included in R&R Trim Panel

**HARDWARE**

2001 Ford Escape XLT Utility



002-12623

Refinish Upper Hinge

R .5  
L .5

Refinish Lower Hinge

R .5  
L .5

R&I Outside Handle

R #.5  
L #.5

#Includes R&I Trim Panel

1 Latch Assy, Door

Man Locks

01-0	R	#.3	YL8Z 78264A00 AAA	\$224.62
	L	#.3	2L8Z 78264A01 AA	\$221.85
03-0	R	#.3	2L8Z 78264A00 AAA	\$212.02
	L	#.3	2L8Z 78264A01 AA	\$221.85

Pwr Locks

2001	R	#.3	6L8Z 78264A00 DAD	\$169.23
	L	#.3	YL8Z 78264A01 BAA	\$189.16
2002-04	R	#.3	6L8Z 78264A00 DAD	\$169.23
	L	#.3	2L8Z 78264A01 EAD	\$215.00

2005-06†

Single Lock Lever

R	#.3	6L8Z 78264A00 DAD	\$169.23
L	#.3	6L8Z 78264A01 DAD	\$183.92

Double Lock Lever

R	#.3	5L8Z 78264A00 DAN	\$161.23
L	#.3	6L8Z 78264A01 DB	
2007	R	#.3	N.A.
	L	#.3	N.A.

†Order by Application

2 Latch (a)

Man Locks

01-0	R	#.3	YL8Z 7826412 AA	\$184.90
	L	#.3	YL8Z 7826413 AA	\$174.22
04	R	#.3	2W4Z 5426412 BA	\$169.30
	L	#.3	2W4Z 5426413 BA	\$169.30

Pwr Locks

2001 Ford Escape XLT Utility

2001-04-Serviced w/Door Latch Assy

2005-06		R	#.3	6L8Z 7826412 B	\$180.68
		L	#.3	6L8Z 7826413 B	\$252.35
	2007				
Single Lock Lever		R	#.3	6L8Z 7826412 B	\$180.68
		L	#.3	6L8Z 7826413 B	\$252.35
Double Lock Lever		R	#.3	6L8Z 7826412 A	\$232.18
		L	#.3	6L8Z 7826413 A	\$185.60
3 Retainer (a)		R	#.3	8S4Z 5421952 A	\$13.32
		L	#.3	8S4Z 5421952 A	\$13.32
4 Handle, Inside (a)					
Man Locks	01-0	R	#.1	4L8Z 7826604 AA	\$34.92
		L	#.1	4L8Z 7826605 AA	\$36.52
5 Cable, Latch (a)					
Man Locks		R	#.1	YL8Z 78266A46 AA	\$28.62
		L	#.1	YL8Z 78266A47 AA	\$28.62

Pwr Locks-Serviced w/Door Latch Assy

(a) Included w/Door Latch Assy

#w/Trim Panel Removed

6 Striker, Latch					
2001-04		R	.2	8E5Z 5422008 A	\$12.87
		L	.2	8E5Z 5422008 A	\$12.87
	2005				
To 7-25-04		R	.2	8E5Z 5422008 A	\$12.87
		L	.2	8E5Z 5422008 A	\$12.87
From 7-26-04		R	.2	5L8Z 5422008 AA	
		L	.2	5L8Z 5422008 AA	
	2006	R	.2	5L8Z 5422008 AA	
		L	.2	5L8Z 5422008 AA	
	2007	R	.2	8E5Z 5422008 A	\$12.87
		L	.2	8E5Z 5422008 A	\$12.87
7 Handle, Inside¶					
Pwr Locks	01-0	R	#.2	1L8Z 7822600 AAA	\$41.93
		L	#.2	1L8Z 7822601 AAA	\$42.45
	07	R	#.2	6L8Z 7826602 BA	\$45.88
		L	#.2	6L8Z 7826603 BC	\$38.35

¶Order by Application

#w/Trim Panel Removed

8 Bezel, Inside Handle					
2001-04		R		5L8Z 7822620 BAA	\$16.13
		L		5L8Z 7822621 BAA	\$16.13
2005-07					

2001 Ford Escape XLT Utility

Black	R		5L8Z 7822620 BAA	\$16.13
	L		5L8Z 7822621 BAA	\$16.13
Pebble	05-0 R		5L8Z 7822620 BC	\$20.83
	L		5L8Z 7822621 BC	\$18.42
9 Handle, Outside				
2001-02	R #.2		8L8Z 7822404 AB	\$14.10
	L #.2		8L8Z 7822404 AB	\$14.10
2003-06				
XLS, XLT Model	R #.2		8L8Z 7822404 AB	\$14.10
	L #.2		8L8Z 7822404 AB	\$14.10
XLT Sport Model	05-0 R #.2		8L8Z 7822404 AB	\$14.10
	L #.2		8L8Z 7822404 AB	\$14.10
Limited Model				
Black, (Code UA)	03-0 R #.2		8L8Z 7822404	\$40.03
	L #.2		8L8Z 7822404	\$40.03
Satin Silver, (Code TL)	03-0 R #.2		8L8Z 7822404	\$40.03
	L #.2		8L8Z 7822404	\$40.03
Silver, (Code YN)	05-0 R #.2		8L8Z 7822404	\$40.03
	L #.2		8L8Z 7822404	\$40.03
True Blue, (Code L2)	03-0 R #.2		8L8Z 7822404	\$40.03
	L #.2		8L8Z 7822404	\$40.03
		2007		
Black	R #.2		8L8Z 7822404 AB	\$14.10
	L #.2		8L8Z 7822404 AB	\$14.10
Paint to Match	R #.2		8L8Z 7822404	\$40.03
	L #.2		8L8Z 7822404	\$40.03
#w/Trim Panel Removed				
10 Pad, Front Handle	R		YS4Z 5422042 AA	\$6.13
	L		YS4Z 5422042 AA	\$6.13
11 Pad, Rear Handle	R		YS4Z 5422042 BA	\$6.13
	L		YS4Z 5422042 BA	\$6.13
12 Bezel, Handle				
2001-02	R		8L8Z 78218A14 AB	\$10.55
	L		8L8Z 78218A14 AB	\$10.55
2003-06				
XLS, XLT Model	03-0 R		8L8Z 78218A14 AB	\$10.55
	L		8L8Z 78218A14 AB	\$10.55
	05-0 R		8L8Z 78218B08 AB	\$8.93
	L		8L8Z 78218B08 AB	\$8.93
XLT Sport Model	05-0 R		8L8Z 78218B08 AB	\$8.93
	L		8L8Z 78218B08 AB	\$8.93
Limited Model (P)	03-0 R		AL8Z 78218A14	\$8.62
	L		AL8Z 78218A14	\$8.62
	05-0 R		8L8Z 78218B08	\$15.40
	L		8L8Z 78218B08	\$15.40

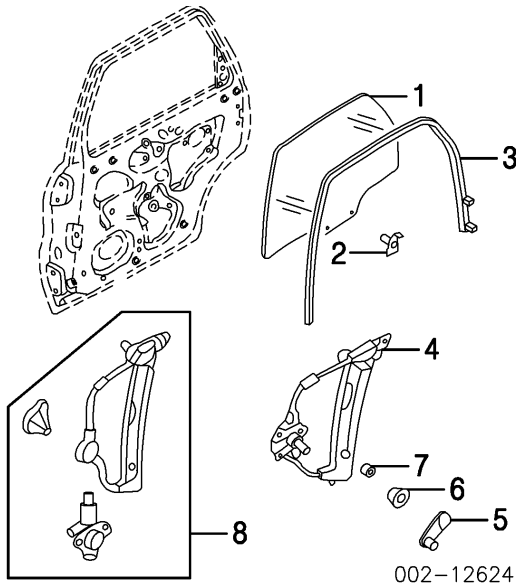
2001 Ford Escape XLT Utility

Black	R		8L8Z 78218B08 AB	\$8.93
	L		8L8Z 78218B08 AB	\$8.93
Paint to Match	R		8L8Z 78218B08	\$15.40
	L		8L8Z 78218B08	\$15.40
(P) Paint to Match				
13 Hinge, Upper	01-0 R	#.2	7L8Z 7826800 A	\$25.28
	L	#.2	7L8Z 7826801 A	\$26.57
	07 R	#.2	7L8Z 7826800 A	\$25.28
	L	#.2	7L8Z 7826801 A	\$26.57
14 Hinge, Lower	01-0 R	#.3	7L8Z 7826810 A	\$27.12
	L	#.3	7L8Z 7826811 A	\$22.97
	07 R	#.3	7L8Z 7826810 A	\$27.12
	L	#.3	7L8Z 7826811 A	\$22.97
#w/Door & Center Pillar Lower Trim Panel Removed				
15 Check, Door	R	#.2	YL8Z 7823552 AA	\$28.60
	L	#.2	YL8Z 7823552 AA	\$28.60
#w/Trim Panel Removed				
16 Seal, Upper Door	R		5L8Z 7824692 AA	\$9.45
	L		5L8Z 7824692 AA	\$9.45
17 Seal, Rear Door	01-0 R	.1	3L8Z 7825354 A	\$40.00
	L	.1	3L8Z 7825355 A	\$40.00
	07 R	.1	3L8Z 7825354 A	\$40.00
	L	.1	3L8Z 7825355 A	\$40.00
18 W/Strip, Door (On Body)	R	.5	5L8Z 7825324 A	\$37.23
	L	.5	5L8Z 7825324 A	\$37.23
19 Bumper, Door	R		* W707664 S300	\$2.75
	L		* W707664 S300	\$2.75
¶As Required				
Harness, Wiring	R		7L8Z 14632 BA	\$39.22
	L		7L8Z 14632 BA	\$39.22

¶Order by Application

GLASS & PARTS

2001 Ford Escape XLT Utility



002-12624

Add to R&R Door Glass  
w/Power Windows

.2

1 Glass, Door

Ford

Green

R #1.6 5L8Z 7825712 AA \$392.22

L #1.6 5L8Z 7825713 AA \$363.97

Privacy

R #1.6 YL8Z 7825712 BA \$193.58

L #1.6 YL8Z 7825713 BA \$193.58

NAGS

Green

R #1.6 DD09753GTN \$177.90

L #1.6 DD09754GTN \$177.90

Privacy

R #1.6 DD09753YPN \$179.50

L #1.6 DD09754YPN \$179.50

#Includes R&R Window Regulator & Glass Run

2 Retainer, Glass¶

2001-02

R 3L8Z 78214A56 AA \$4.98

L 3L8Z 78214A56 AA \$4.98

2003

To 12-1-02

R 3L8Z 78214A56 AA \$4.98

L 3L8Z 78214A56 AA \$4.98

From 12-2-02

R 3L8Z 78214A56 AA \$4.98

L 3L8Z 78214A56 AA \$4.98

2004-07

R 3L8Z 78214A56 AA \$4.98

L 3L8Z 78214A56 AA \$4.98

¶As Required

3 Run, Glass

01-0 R #.5 7L8Z 7825766 AA \$63.08



2001 Ford Escape XLT Utility

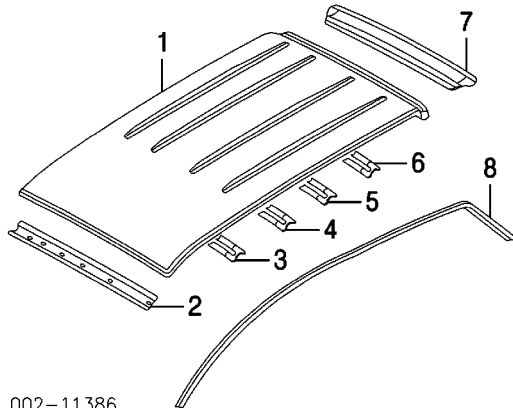
	L	#.5	7L8Z 7825767 AA	\$66.43
	07 R	#.5	7L8Z 7825766 AA	\$63.08
	L	#.5	7L8Z 7825767 AA	\$66.43
#w/Window Regulator Removed				
4	Regulator, Manual	R	#.4	YL8Z 7827000 AA \$47.60
		L	#.4	YL8Z 7827001 AA \$47.60
#w/Trim Panel Removed				
5	Handle, Regulator			
	Graphite	R	.1	YL8Z 7823342 BAB \$7.20
		L	.1	YL8Z 7823342 BAB \$7.20
	Parchment	R	.1	YL8Z 7823342 BAA \$7.20
		L	.1	YL8Z 7823342 BAA \$7.20
6	Escutcheon, Handle			
	Graphite	R		YL8Z 7823370 AAC
		L		YL8Z 7823370 AAC
	Parchment	R		YL8Z 7823370 AAB \$4.60
		L		YL8Z 7823370 AAB \$4.60
7	Seal, Handle	R		YL8Z 7827468 AA \$4.74
		L		YL8Z 7827468 AA \$4.74
8	Regulator, Power¶	R	#.6	6L8Z 7827000 BA \$57.70
		L	#.6	6L8Z 7827001 BA \$62.08
¶Includes Motor				
#w/Trim Panel Removed				

2001 Ford Escape XLT Utility

ROOF

Procedures 17 and 28

SHEET METAL



002-11386

Refinish Roof Outside

3.4

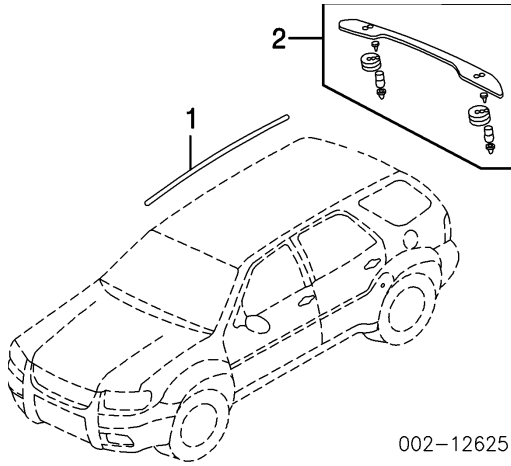
1 Panel, Roof				
2001-06				
w/Sunroof	#17.0	YL8Z 7850202 CA		\$719.32
w/o Sunroof				
w/Luggage Carrier				
w/No Boundaries Pkg	#16.0	9L8Z 7850202 E		
w/o No Boundaries Pkg	#16.0	YL8Z 7850202 BA		\$713.63
w/o Luggage Carrier	#15.5	YL8Z 7850202 AA		\$811.00
			2007	
w/Sunroof	#16.0	YL8Z 7850202 CA		\$719.32
w/o Sunroof	#15.5	6L8Z 7850202 C		\$684.13

#Does Not Include R&I/R&R Quarter Glass

2 Panel, Frt Header		2.0	8L8Z 7803408 A		\$46.03
3 Reinf, Front Roof		.5	8L8Z 7850244 A		\$49.52
4 Reinf, Front Ctr Roof	01-0	.5	YL8Z 7850217 AA		\$28.73
	05-0	.5	5L8Z 7850217 AA		\$14.10
5 Reinf, Rear Ctr Roof	01-0	.5	YL8Z 7850222 AA		\$50.63
	05-0	.5	7L8Z 7850222 A		\$36.22
6 Reinf, Rear Roof	01-0	.5	YL8Z 7850217 AA		\$28.73
	05-0	.5	5L8Z 7850217 AA		\$14.10
7 Panel, Rear Header		2.5	YL8Z 7841302 AA		\$109.00
8 W/Strip, Roof	R		5L8Z 7851222 AA		\$47.48
	L		5L8Z 7851222 AA		\$47.48

EXTERIOR TRIM

2001 Ford Escape XLT Utility



002-12625

Refinish Air Deflector  
R&I Roof Drip Moulding

R&I Air Deflector

1 Moulding, Roof Drip

2 Deflector Kit, Air

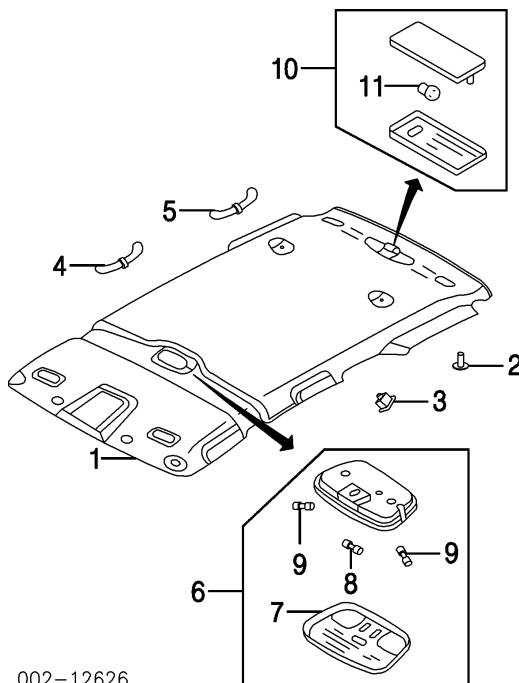
Dealer Installed

Black, (Code UA)

Paint to Match

INTERIOR TRIM

	.8		
R	.4		
L	.4		
	.5		
R	.4	8L8Z 7851728 AA	\$39.80
L	.4	8L8Z 7851729 AA	\$32.13
	.5	1L8Z 78500K16 AAC	\$172.21
	.5	1L8Z 78500K16 AAC	\$172.21



002-12626

2001 Ford Escape XLT Utility

	<b>R&amp;I Headliner</b>		1.8	
1	Headliner			
	2001-02			
	w/Sunroof			
	Graphite	1.8	YL8Z 7851944 EAB	\$555.48
	Parchment	1.8	YL8Z 7851944 EAA	\$495.28
	w/o Sunroof			
	w/Overhead Console			
	Graphite	1.8	YL8Z 7851944 GAB	\$1,012.60
	Parchment	1.8	YL8Z 7851944 GAA	\$1,317.40
	w/o Overhead Console			
	Graphite	1.8	YL8Z 7851944 FAB	\$528.45
	Parchment	1.8	YL8Z 7851944 FAA	\$914.55
	2003-04			
	w/Sunroof			
	Manual Mirror			
	Black, Flint	1.8	3L8Z 7851944 EAB	\$850.67
	Pebble	1.8	3L8Z 7851944 EAA	\$677.00
	Electrochromic Mirror			
	Black, Flint	1.8	3L8Z 7851944 AAB	\$828.67
	Pebble	1.8	3L8Z 7851944 AAA	\$607.13
	w/o Sunroof			
	w/Overhead Console			
	Manual Mirror			
	Black, Flint	1.8	3L8Z 7851944 GAB	\$749.48
	Pebble	1.8	3L8Z 7851944 GAA	\$749.48
	Electrochromic Mirror			
	Black, Flint	1.8	3L8Z 7851944 JAB	\$661.47
	Pebble	1.8	3L8Z 7851944 JAA	\$595.92
	w/o Overhead Console			
	Black, Flint	1.8	3L8Z 7851944 FAB	\$1,014.83
	Pebble	1.8	3L8Z 7851944 FAA	\$845.08
	2005-07			
	w/Sunroof			
	w/Side Curtain Air Bags			
	Manual Mirror			
	Black, Flint	1.8	5L8Z 7851944 HAC	\$652.00
	Pebble	1.8	5L8Z 7851944 HAD	\$782.40
	Electrochromic Mirror			
	Black, Flint	1.8	5L8Z 7851944 CAC	\$762.82
	Pebble	1.8	5L8Z 7851944 CAD	\$762.82
	w/o Side Curtain Air Bags			
	Manual Mirror			
	Black, Flint	05-0	1.8 5L8Z 7851944 EAC	\$671.32

2001 Ford Escape XLT Utility

	07	1.8	5L8Z 7851944 EAF	\$708.48
Pebble	05-0	1.8	5L8Z 7851944 EAD	\$809.73
	07	1.8	5L8Z 7851944 EAD	\$809.73
Electrochromic Mirror				
Black, Flint	05-0	1.8	5L8Z 7851944 AAC	\$675.60
	07	1.8	5L8Z 7851944 AAC	\$675.60
Pebble	05-0	1.8	5L8Z 7851944 AAD	\$792.82
	07	1.8	5L8Z 7851944 AAD	\$792.82
w/o Sunroof				
w/Side Curtain Air Bags				
w/Overhead Console				
Manual Mirror		1.8	5L8Z 7851944 LAB	\$800.70
Electrochromic Mirror		1.8	5L8Z 7851944 DAD	\$670.65
w/o Overhead Console		1.8	5L8Z 7851944 JAB	\$660.33
w/o Side Curtain Air Bags				
w/Overhead Console				
Manual Mirror	05-0	1.8	5L8Z 7851944 GAB	\$818.62
	07	1.8	5L8Z 7851944 GAB	\$818.62
Electrochromic Mirror	05-0	1.8	5L8Z 7851944 BAC	\$787.78
	07	1.8	5L8Z 7851944 BAF	\$766.25
w/o Overhead Console	05-0	1.8	5L8Z 7851944 FAC	\$800.08
	07	1.8	5L8Z 7851944 FAC	\$800.08
¶Order by Application				
2 Retainer, Headliner				
2001-02, (5)				
Black, Graphite			* W701112 SAA	\$2.50
Parchment			* W701112 SAB	\$2.25
2003-07 (a)				
Black, Flint			* W709343 SSB	\$1.75
Pebble			* W709343 SSA	\$2.00
(a) As Required				
3 Hook, Coat				
Black, Flint	05-0 R	.1	5L8Z 7829024 AAB	\$20.02
	L	.1	5L8Z 7829024 AAB	\$20.02
Pebble	05-0 R	.1	5L8Z 7829024 AAA	\$20.02
	L	.1	5L8Z 7829024 AAA	\$20.02
4 Handle, Front Assist				
2001-02				
Black, Graphite	R #.2		YL8Z 7831406 AAB	\$40.32
	L #.2		YL8Z 7831406 AAB	\$40.32
Parchment	R #.2		YL8Z 7831406 AAA	\$37.13
	L #.2		YL8Z 7831406 AAA	\$37.13

2001 Ford Escape XLT Utility

2003-07					
Black, Flint	03-0	R	#.2	3L8Z 7831406 AAB	\$14.50
		L	#.2	3L8Z 7831406 AAB	\$14.50
	07	R	#.2	5L8Z 7831406 AAD	\$33.77
		L	#.2	5L8Z 7831407 AAD	\$32.92
Pebble	03-0	R	#.2	3L8Z 7831406 AAA	\$13.42
		L	#.2	3L8Z 7831406 AAA	\$13.42
	07	R	#.2	5L8Z 7831406 AAC	\$32.92
		L	#.2	5L8Z 7831407 AAC	\$32.92
5 Handle, Rear Assist					
2001					
To 12-14-00					
Graphite		R	#.2	YL8Z 7831406 CAB	\$38.90
		L	#.2	YL8Z 7831407 CAB	\$45.80
Parchment		R	#.2	YL8Z 7831406 CAA	\$36.48
		L	#.2	YL8Z 7831407 CAA	\$34.33
From 12-15-00					
Graphite		R	#.2	YL8Z 7831406 AAB	\$40.32
		L	#.2	YL8Z 7831407 CAB	\$45.80
Parchment		R	#.2	YL8Z 7831406 AAA	\$37.13
		L	#.2	YL8Z 7831407 CAA	\$34.33
2002					
Black, Graphite		R	#.2	YL8Z 7831406 AAB	\$40.32
		L	#.2	YL8Z 7831407 CAB	\$45.80
Parchment		R	#.2	YL8Z 7831406 AAA	\$37.13
		L	#.2	YL8Z 7831407 CAA	\$34.33
2003-04					
Black, Flint		R	#.2	3L8Z 7831406 AAB	\$14.50
		L	#.2	3L8Z 7831407 CAB	\$14.50
Pebble		R	#.2	3L8Z 7831406 AAA	\$13.42
		L	#.2	3L8Z 7831407 CAA	\$23.80
2005-07					
Black, Flint	05-0	R	#.2	3L8Z 7831406 AAB	\$14.50
		L	#.2	3L8Z 7831406 AAB	\$14.50
	07	R	#.2	5L8Z 7831406 AAD	\$33.77
		L	#.2	5L8Z 7831407 AAD	\$32.92
Pebble	05-0	R	#.2	3L8Z 7831406 AAA	\$13.42
		L	#.2	3L8Z 7831406 AAA	\$13.42
	07	R	#.2	5L8Z 7831406 AAC	\$32.92
		L	#.2	5L8Z 7831407 AAC	\$32.92
6 Lamp Assy, Dome w/Map Lamp					
2001-02					
Black, Graphite			#.2	3L8Z 13776 AAD	\$79.72
Parchment			#.2	3L8Z 13776 AAC	\$60.53
2003-06					

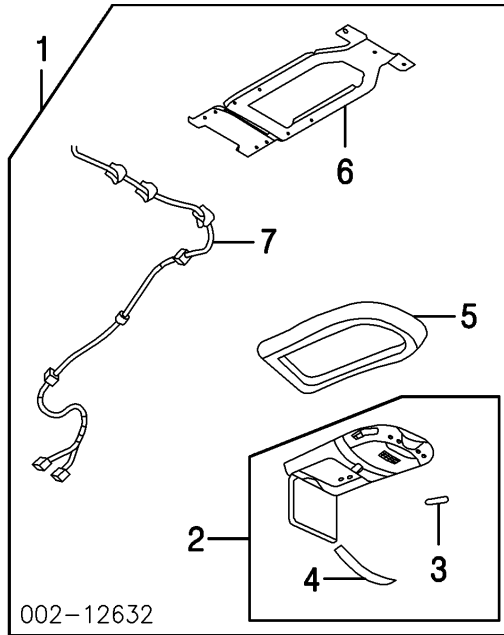
2001 Ford Escape XLT Utility

Black, Flint		#.2	3L8Z 13776 AAD	\$79.72
Pebble		#.2	3L8Z 13776 AAC	\$60.53
	2007	#.2	3L8Z 13776 AAD	\$79.72
w/o Map Lamp				
2001-02				
Black, Graphite		#.2	7L8Z 13776 BA	\$62.15
Parchment		#.2	7L8Z 13776 AA	\$62.15
2003-06				
Black, Flint		#.2	YL8Z 13776 BAD	\$31.78
Parchment		#.2	7L8Z 13776 AA	\$62.15
	2007	#.2	YL8Z 13776 BAD	\$31.78
#Included in R&I/R&R Headliner				
7 Lens, Dome Lamp (b)				
w/Map Lamp		#.1	3L8Z 13783 AA	\$25.23
w/o Map Lamp		#.1	YL8Z 13783 BA	\$14.07
8 Bulb, Dome Lamp (b)		#.1	F58Z 13466 A	\$2.90
9 Bulb, Map Lamp (b)		R #.1	F58Z 13466 A	\$2.90
		L #.1	F58Z 13466 A	\$2.90
(b) Included w/Dome Lamp Assy				
#R&R Complete				
10 Lamp Assy, Cargo		#.2	YL8Z 13776 AA	\$51.60
#Included in R&I/R&R Headliner Assy				
11 Bulb, Cargo Lamp (d)		.1	E5RY 13466 D	\$2.30
(d) Included w/Cargo Lamp Assy				
Harness, Roof (c)			YL8Z 13A709 AA	\$46.98
(c) Order by Application				

OVERHEAD CONSOLE

W/ENTERTAINMENT SYSTEM

2001 Ford Escape XLT Utility



**R&I Overhead Console Assy**

.3

NOTE: All Parts in this section are included in R&R Center Console unless noted otherwise.

1 System Kit, Entertainment	01-0	.3	3L8Z 19G323 AA	\$1,070.00
2 Screen Assy¶	01-0	.5	3L8Z 10E947 AA	\$1,401.44
3 Cover, Console (a) (b)¶	01-06		3L1Z 14A099 ZA	\$7.70
(b) As Required				
4 Lens, Lamp (a)¶	01-06		3L8Z 13761 AA	\$8.77
Bulb (a) (b)¶	01-0	.1	N.A.	
(a) Included w/Screen Assy				
(b) As Required				
5 Console¶	01-0	.5	3L8Z 78519B42 AA	\$92.70
6 Bracket, Console¶	01-06		3L8Z 78519K22 AA	\$162.23
7 Harness, Wiring¶	01-06		3L1Z 14334 AA	\$69.51

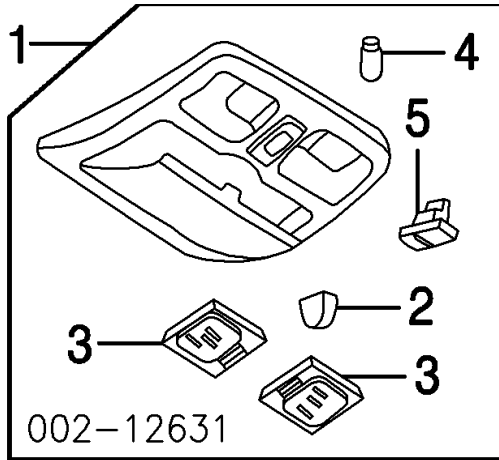
¶Included w/Entertainment System Kit

**OVERHEAD CONSOLE**

**W/O ENTERTAINMENT SYSTEM**



2001 Ford Escape XLT Utility



R&I Overhead Console Assy

.2

NOTE: All Parts in this section are included in R&R Center Console unless noted otherwise.

1 Console Assy, Overhead

w/Sunroof

2001-02

Black, Graphite

.2 YL8Z 78519A70 DAB \$139.23

Parchment

.2 YL8Z 78519A70 DAA \$139.23

2003-04

Black, Flint

.2 3L8Z 78519A70 DAB \$91.07

Pebble

.2 3L8Z 78519A70 DAA \$93.45

2005

To 2-14-05

Black, Flint

.2 3L8Z 78519A70 DAB \$91.07

Pebble

.2 3L8Z 78519A70 DAA \$93.45

From 2-15-05

Black, Flint

.2 3L8Z 78519A70 EAB \$117.05

Pebble

.2 3L8Z 78519A70 EAA \$113.63

2006-07

Black, Flint

.2 3L8Z 78519A70 EAB \$117.05

Pebble

.2 3L8Z 78519A70 EAA \$113.63

w/o Sunroof

2001-02

Black, Graphite

.2 YL8Z 78519A70 BAB \$120.40

Parchment

.2 YL8Z 78519A70 BAA \$99.75

2003-07

Black, Flint

03-0 .2 3L8Z 78519A70 BAB \$92.63

07

.2 3L8Z 78519A70 CAB \$93.58

Pebble

03-0 .2 3L8Z 78519A70 BAA \$77.28

07

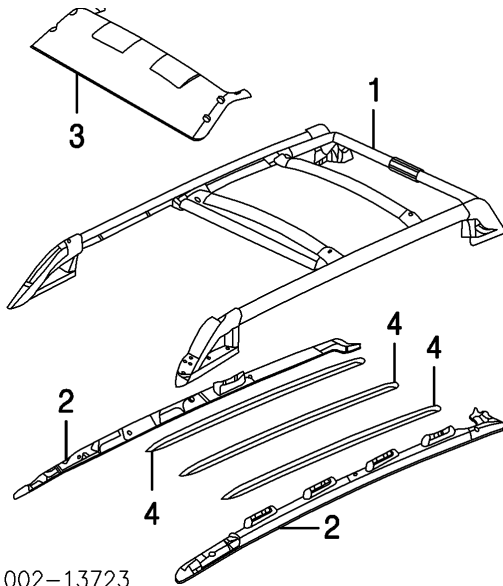
.2 3L8Z 78519A70 CAA \$79.22

2001 Ford Escape XLT Utility

2 Stop, Door¶		YL8Z 78061A52 AA	\$14.47
3 Lens, Map Lamp¶			
w/Sunroof	R	YL8Z 13783 CA	\$13.28
	L	YL8Z 13783 CB	\$13.08
4 Bulb, Map Lamp¶			
w/Sunroof	R	.1 96FZ 13466 AA	\$7.07
	L	.1 96FZ 13466 AA	\$7.07
5 Switch, Sunroof¶		3L8Z 15A699 AAA	\$43.70

¶Included w/Overhead Console Assy

**ROOF LUGGAGE RACK  
W/NO BOUNDARIES PKG**

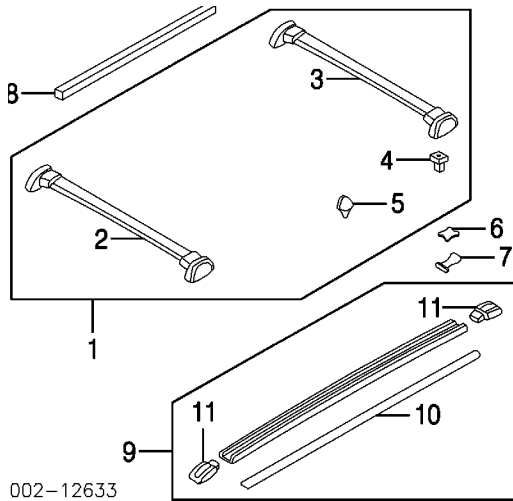


**R&I Luggage Rack**

1 Rack, Luggage		.8 YL8Z 7855100 DA	\$2,107.73
2 Rail, Side	R	.3 YL8Z 7855114 EAA	\$335.27
	L	.3 YL8Z 7855115 EAA	\$337.07
3 Deflector, Air		.2 YL8Z 78001A04 AA	\$199.40
4 Slat, Luggage Rack (4)		.2 YF2Z 1655022 AAA	\$16.83

**ROOF LUGGAGE RACK  
W/O NO BOUNDARIES PKG**

2001 Ford Escape XLT Utility



002-12633

**R&I Luggage Rack Assy**

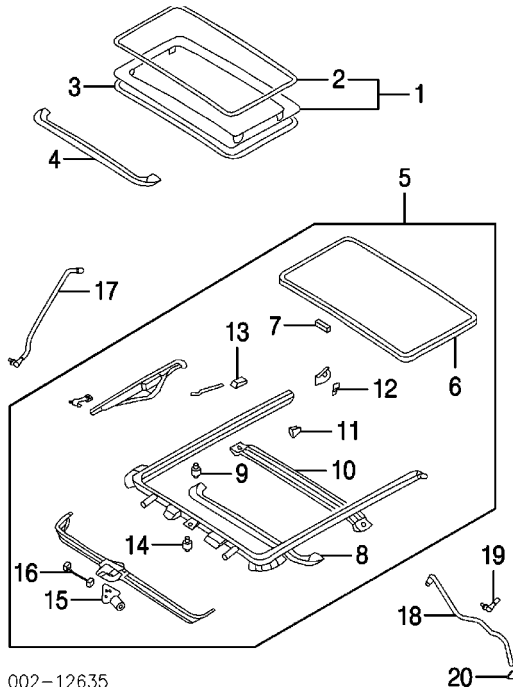
1 Rack Assy, Luggage		.8	YL8Z 7855100 AAA	\$103.00
2 Crossmember, Front		.3	YL8Z 7855106 AAB	\$141.05
3 Crossmember, Rear		.3	YL8Z 7855106 AAB	\$141.05
4 Fastener (2/Side)	R		YL8Z 78517A26 AAA	\$36.53
	L		YL8Z 78517A26 AAA	\$36.53
5 Retainer	R		YL8Z 7842002 AAA	\$13.00
	L		YL8Z 7842002 AAA	\$13.00
††Included w/Luggage Rack Assy				
6 Plate, Retainer	R		YL8Z 78551A48 AA	\$6.50
	L		YL8Z 78551A48 AA	\$6.50
7 Reinf, Retainer	R		YL8Z 7850316 AA	\$5.20
	L		YL8Z 7850316 AA	\$5.20
8 Slat, Luggage Rack (4)		.2	YF2Z 1655022 AAA	\$16.83
9 Rail Assy, Side				
	2001	R	.3 YL8Z 7855114 CAB	\$92.25
		L	.3 YL8Z 7855114 CAB	\$92.25
	2002			
Smooth		R	.3 YL8Z 7855114 CAB	\$92.25
		L	.3 YL8Z 7855114 CAB	\$92.25
Textured		R	.3 YL8Z 7855114 CAA	\$72.00
		L	.3 YL8Z 7855114 CAA	\$72.00
2003-07		R	.3 YL8Z 7855114 CAA	\$72.00
		L	.3 YL8Z 7855114 CAA	\$72.00
10 Pad, Rail (a)		R	YL8Z 7855147 AAA	\$43.40
		L	YL8Z 7855147 AAA	\$43.40
11 Cap, Bar (2/Side) (a)		R	2L8Z 78551A46 CAA	\$30.52
		L	2L8Z 78551A46 CAA	\$30.52

2001 Ford Escape XLT Utility

(a) Included w/Side Rail Assy

2001 Ford Escape XLT Utility

SUNROOF



002-126.35

R&I Sunroof Assy

#1.5

O/H Sunroof Assy (Includes R&I)

#2.5

#w/Headliner Removed

NOTE: All Parts in this section are included in overhaul unless noted otherwise.

1 Glass Assy, Sunroof				
Ford	.8	5L8Z 7850054 AA	\$451.92	
NAGS	.8	DR09758YPY	\$1,655.55	
2 W/Strip, Sunroof¶		YL8Z 78502A90 AA	\$92.63	
¶Included w/Sunroof Glass Assy				
3 Seal, Sunroof Opng				
2001-02				
Black, Graphite		YL8Z 7851884 AAB	\$75.57	
Parchment		YL8Z 7851884 AAA	\$76.93	
2003-07				
Ebony, Flint		3L8Z 7851884 AAB	\$82.32	
Pebble		3L8Z 7851884 AAA	\$82.32	
4 Deflector, Air				
Dealer Installed	.2	1L8Z 78500K16 AA	\$64.29	
5 Housing Assy, Sunroof	01-0	#1.5	5L8Z 78502C22 AA	\$924.62
	07	#1.5	8L8Z 78502C22 C	\$487.17

2001 Ford Escape XLT Utility

#w/Headliner Removed			
6 Shade, Sunroof (b)			
	2001		
Black, Graphite		#1.5	YL8Z 78519A02 AAB \$257.72
Parchment		#1.5	YL8Z 78519A02 AAA \$257.87
2003-07			
Ebony, Flint		03-0 #1.5	3L8Z 78519A02 AAB \$299.17
		07 #1.5	6L8Z 78519A02 AB \$156.75
Pebble		03-0 #1.5	3L8Z 78519A02 AAA \$299.17
		07 #1.5	6L8Z 78519A02 AA \$133.53
#Includes R&R Sunroof Glass Assy			
7 Stop, Shade (a) (b)			YL8Z 7851540 AA \$7.82
(a) As Required			
8 Deflector (b)	01-0	.2	YL8Z 78500A26 AA \$186.93
		07	.2 6L8Z 78500A26 A \$112.43
9 Clip, Deflector (b)	R		YS4Z 5451030 AB \$4.41
	L		YS4Z 5451030 AB \$4.41
10 Rail, Drain (b)			YL8Z 7854022 AA \$47.58
11 Stop, Rail (b)	R		YL8Z 7851570 AA \$9.87
	L		YL8Z 7851570 AA \$9.87
12 Pad, Rail (b)	R		YL8Z 78502D08 AA \$7.16
	L		YL8Z 78502D08 AA \$7.16
13 Guide, Sunroof (b)	R		YL8Z 78500A64 AA \$19.78
	L		YL8Z 78500A65 AA \$19.78
14 Relay, Sunroof (b)		.3	YL8Z 14677 AA \$119.33
15 Motor, Sunroof (b)		#.5	YL8Z 15790 AA \$190.66
#w/Headliner Removed			
16 Harness, Sunroof (b)			YL8Z 15B672 AA \$59.35
(b) Included w/Sunroof Housing Assy			
17 Hose, Front Drain			
2001-03	R		YL8Z 78502C52 AA \$14.30
	L		YL8Z 78502C52 AA \$14.30
2004			
To 12-14-03	R		YL8Z 78502C52 AA \$14.30
	L		YL8Z 78502C52 AA \$14.30
From 12-15-03	R		5L8Z 78502C52 AA \$27.72
	L		5L8Z 78502C53 AA \$24.72
2005-07	R		5L8Z 78502C52 AA \$27.72
	L		5L8Z 78502C53 AA \$24.72
18 Hose, Rear Drain			
2001-03	R		YL8Z 78502C53 BA \$25.38
	L		YL8Z 78502C53 BA \$25.38
2004			

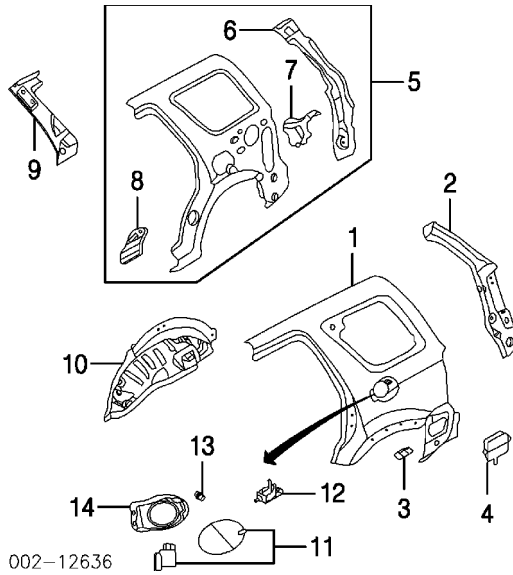
2001 Ford Escape XLT Utility

To 12-14-03	R	YL8Z 78502C53 BA	\$25.38
	L	YL8Z 78502C53 BA	\$25.38
From 12-15-03	R	5L8Z 78502C52 BA	\$29.10
	L	5L8Z 78502C53 BA	\$24.43
2005-07	R	5L8Z 78502C52 BA	\$29.10
	L	5L8Z 78502C53 BA	\$24.43
19 Clip, Drain Hose (a)	R	YL8Z 78514A04 AA	\$1.63
	L	YL8Z 78514A04 AA	\$1.63
(a) As Required			
20 Connector, Hose Outlet (2/Side)	R	YL8Z 78502C55 AA	\$7.83
	L	YL8Z 78502C55 AA	\$7.83

## QUARTER PANEL

Procedures 20 and 28

SHEET METAL



Refinish Quarter Panel Outside	R	2.0
	L	2.0
Add for Pillar	R	.5
	L	.5
Add to Edge Panel	R	.5
	L	.5
Add for Inside	R	.8
	L	.8
Refinish Fuel Door	L	#.5
#Included in Refinish Left Quarter Panel		
Add for Inside	L	.2
R&R Both Quarter Panels		
w/Wheel Opening Mldgs		26.5
w/o Wheel Opening Mldgs		25.9
R&R Roof & Both Quarter Panels		
w/Sunroof		37.7
w/o Sunroof		36.2
Add to R&R Roof & Both Quarter Panels		
w/Luggage Carrier		.5
w/Wheel Opening Mldgs		.6



2001 Ford Escape XLT Utility

R&R Roof, Both Quarter Panels & Rear Body Panel

w/Sunroof	40.0
w/o Sunroof	38.5

Add to R&R Roof, Both Quarter Panels & Rear Body Panel

w/Luggage Carrier	.5
w/Wheel Opening Mldgs	.6
To R&I Quarter Glass	R .3
	L .3

1 Panel, Outer Quarter

w/Wheel Opening Mldgs	R #13.8	YL8Z 7827840 DA	\$2,067.22
	L #14.3	YL8Z 7827841 DA	\$1,510.02

#Includes R&R Wheel Opening Moulding, w/Roof Removed Deduct 3.2, Deduction Includes Common Surfaces & Included Operations

w/o Wheel Opening Mldgs	R #13.5	YL8Z 7827840 CA	\$1,171.22
	L #14.0	YL8Z 7827841 CA	\$1,510.02

#w/Roof Removed Deduct 3.2, Deduction Includes Common Surfaces & Included Operations

2 Pillar, Corner	R	1.5	7L8Z 7841032 A	\$71.23
	L	1.5	7L8Z 7841033 A	\$93.28
3 Reinforcement	R		YL8Z 16390 AA	\$9.20
	L		YL8Z 16390 AA	\$9.20
4 Vent, Quarter Panel				
	2001	R #.2	F8CZ 63424A62 AA	\$17.08
		L #.2	F8CZ 63424A62 AA	\$17.08
	2002			
To 12-13-01		R #.2	F8CZ 63424A62 AA	\$17.08
		L #.2	F8CZ 63424A62 AA	\$17.08
From 12-14-01		R #.2	2F2Z 16280B62 AA	\$21.35
		L #.2	2F2Z 16280B62 AA	\$21.35
2003-07		R #.2	2F2Z 16280B62 AA	\$21.35
		L #.2	2F2Z 16280B62 AA	\$21.35

#w/Rear Bumper Assy Removed

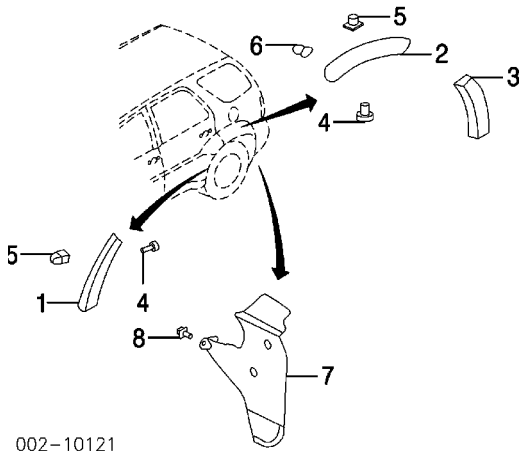
5 Panel Assy, Inner Quarter	01-0	R	6.5	YL8Z 7827864 DA	\$449.97
		L	6.5	YL8Z 7827865 DA	\$449.97
	05-0	R	6.5	5L8Z 7827864 AA	\$454.40
		L	6.5	5L8Z 7827865 AA	\$454.40
6 Reinf, Corner Pillar¶		R	2.5	YL8Z 7841038 BA	\$65.70
		L	2.5	YL8Z 7841039 BA	\$79.67
7 Trough, Drain¶		R	.5	YL8Z 7845114 AA	\$38.93
		L	.5	YL8Z 7845115 AA	\$41.07

2001 Ford Escape XLT Utility

8 Extension, Panel		R		YL8Z 7811252 AA	\$20.42
		L		YL8Z 7811252 AA	\$20.42
¶Included w/Inner Quarter Panel Assy					
9 Reinf, Lock Pillar					
2001-02		R	.8	YL8Z 78278D72 BA	\$36.25
		L	.8	YL8Z 78278D73 BA	\$36.25
	2003				
To 5-5-03		R	.8	YL8Z 78278D72 BA	\$36.25
		L	.8	YL8Z 78278D73 BA	\$36.25
From 5-6-03		R	.8	YL8Z 78278D72 BA	\$36.25
		L	.8	3L8Z 78278D73 BA	\$36.25
	2004	R	.8	YL8Z 78278D72 BA	\$36.25
		L	.8	3L8Z 78278D73 BA	\$36.25
2005-07		R	.8	5L8Z 78278D72 AA	\$52.27
		L	.8	5L8Z 78278D73 AA	\$52.27
10 Panel, Wheelhouse		01-0	R	2.5 YL8Z 7827886 BA	\$285.93
			L	2.5 YL8Z 7827887 BA	\$238.28
		05-0	R	2.5 5L8Z 7827886 AA	\$164.23
			L	2.5 5L8Z 7827887 AA	\$147.02
11 Door, Fuel		L	#.2	5L8Z 78405A26 AA	\$53.15
#Included in R&R Left Outer Quarter Panel					
12 Latch, Fuel Door					
	2001	L		YL8Z 7828610 AA	\$53.10
	2002				
To 12-3-01		L		YL8Z 7828610 AA	\$53.10
From 12-4-01		L		1L8Z 7828610 AA	\$11.02
	2003				
To 1-1-03		L		1L8Z 7828610 AA	\$11.02
From 1-2-03		L		3L8Z 7828610 AB	\$11.17
2004-07		L		3L8Z 7828610 AB	\$11.17
13 Bumper, Fuel Door (2)		L		YL8Z 78405A22 AB	\$5.78
14 Housing, Fuel Filler		L		4L8Z 7828646 AA	\$46.72

EXTERIOR TRIM

2001 Ford Escape XLT Utility



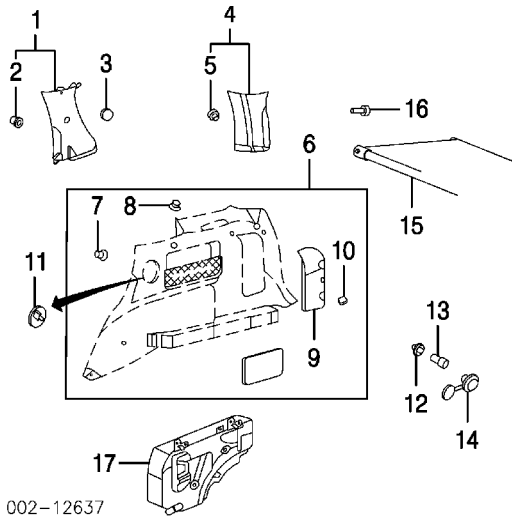
002-10121

<b>Refinish Stone Shield</b>	R	.5			
	L	.5			
<b>Refinish Upper Wheel Opening Moulding</b>	R	.5			
	L	.5			
<b>R&amp;I Stone Shield</b>	R	.2			
	L	.2			
<b>R&amp;I Upper Wheel Opening Moulding</b>	R	.3			
	L	.3			
<b>R&amp;I Mudguard</b>	R	.2			
	L	.2			
<b>R&amp;R Mudguard</b>	R	.2			
	L	.2			
<b>1 Shield, Stone</b>					
XLS Model					
Platinum	R	.2	YL8Z 7829038 DAB	\$39.88	
	L	.2	YL8Z 7829039 DAB	\$39.88	
Titanium	01-0 R	.2	YL8Z 7829038 DAA	\$48.90	
	L	.2	YL8Z 7829039 DAA	\$41.32	
<b>2 Mldg, Upr Wheel Opng</b>					
2001-06					
XLT Model					
w/Appearance Pkg (P)	R	.3	3L8Z 7829164	\$55.45	
	L	.3	3L8Z 7829165	\$55.45	
w/o Appearance Pkg					
Platinum	R	.3	YL8Z 7829164 BAB	\$28.88	
	L	.3	YL8Z 7829165 BAB	\$28.88	
Titanium	01-0 R	.3	YL8Z 7829164 BAA	\$28.73	
	L	.3	YL8Z 7829165 BAA	\$28.73	
XLT Sport Model	05-0 R	.3	YL8Z 7829164 BAB	\$28.88	

2001 Ford Escape XLT Utility

	L	.3	YL8Z 7829165 BAB	\$28.88
Limited Model (P)	03-0 R	.3	3L8Z 7829164	\$55.45
	L	.3	3L8Z 7829165	\$55.45
	2007			
Smooth Finish (P)	R	.3	3L8Z 7829164	\$55.45
	L	.3	3L8Z 7829165	\$55.45
Textured Finish	R	.3	YL8Z 7829164 BAB	\$28.88
	L	.3	YL8Z 7829165 BAB	\$28.88
(P) Paint to Match				
3 Mldg, Lwr Wheel Opng-See Rear Bumper Section				
4 Screw, Moulding¶	R		* W706805 S901	\$1.63
	L		* W706805 S901	\$1.63
5 Nut, Moulding¶	R		* W705894 S300	\$0.77
	L		* W705894 S300	\$0.77
6 Clip, Mldg (a)¶	01-0 R		YL8Z 7840740 AA	\$11.00
	L		YL8Z 7840740 AA	\$11.00
	03-0 R		3L8Z 7840740 AA	\$10.00
	L		3L8Z 7840740 AA	\$10.00
¶As Required				
(a) Non-Reusable Part				
Mudguard Kit¶				
Dealer Installed				
w/Wheel Opening Mldgs				
Black	#		1L8Z 16A550 AA	\$45.36
w/o Wheel Opening Mldgs				
Black	#		1L8Z 16A550 CA	\$45.36
¶Set of 2				
#See Headnotes for Labor Time				
7 Mudguard, Rear				
Factory Installed	R	.2	YL8Z 16A550 BA	\$27.13
	L	.2	YL8Z 16A550 BB	\$27.13
8 Clip, Mudguard (a)	R		* W706713 S300	\$2.00
	L		* W706713 S300	\$2.00
(a) As Required				
<b>INTERIOR TRIM</b>				

2001 Ford Escape XLT Utility



1 Panel Assy, Front Upper Trim

2001-02

Black

02 R #.2 YL8Z 7831004 BAE \$41.00

L #.2 YL8Z 7831005 BAE \$41.00

Graphite

R #.2 YL8Z 7831004 BAB \$40.50

L #.2 YL8Z 7831005 BAB \$43.38

Parchment

R #.2 YL8Z 7831004 BAA \$42.08

L #.2 YL8Z 7831005 BAA \$59.03

2003-04

Black, Flint

R #.2 YL8Z 7831004 BAD \$43.00

L #.2 YL8Z 7831005 BAD \$51.60

Pebble

R #.2 YL8Z 7831004 BAC \$43.00

L #.2 YL8Z 7831005 BAC \$59.53

2005-07

Black, Flint

R #.2 5L8Z 7831004 BAB \$40.08

L #.2 5L8Z 7831005 BAB \$42.33

Pebble

R #.2 5L8Z 7831004 BAA \$35.67

L #.2 5L8Z 7831005 BAA \$35.50

#w/Lower Trim Panel Removed

2 Clip, Trim (a)¶

05-0 R \* W706701 S305 \$2.25

L \* W706701 S305 \$2.25

¶Included w/Front Upper Trim Panel Assy

(a) As Required

3 Cover, Hole

Black, Flint

05-0 R 5L8Z 78237W10 AAB \$8.02

L 5L8Z 78237W10 AAB \$8.02

Pebble

05-0 R 5L8Z 78237W10 AAA \$7.27

2001 Ford Escape XLT Utility

			L		5L8Z 78237W10 AAA	\$7.27
4 Panel Assy, Rear Upper Trim						
2001-02						
Black		02	R	#.1	YL8Z 7831010 BAE	\$33.92
			L	#.1	YL8Z 7831011 BAE	\$36.00
Graphite			R	#.1	YL8Z 7831010 BAB	\$28.75
			L	#.1	YL8Z 7831011 BAB	\$28.92
Parchment			R	#.1	YL8Z 7831010 BAA	\$47.30
			L	#.1	YL8Z 7831011 BAA	\$27.83
2003-07						
Black, Flint			R	#.1	YL8Z 7831010 BAD	\$38.93
			L	#.1	YL8Z 7831011 BAD	\$31.40
Pebble			R	#.1	YL8Z 7831010 BAC	\$38.93
			L	#.1	YL8Z 7831011 BAC	\$57.27
#w/Lower Trim Panel Removed						
5 Clip, Trim (a) (b)						
		05-0	R		* W707749 S424	\$2.00
			L		* W707749 S424	\$2.00
(a) As Required						
(b) Included w/Rear Upper Trim Panel Assy						
6 Panel Assy, Lower Trim						
Right						
2001-02						
w/Audiophile Sound System						
Black		02	R	#.4	3L8Z 7831012 BAA	\$291.83
Graphite			R	#.4	2L8Z 7831012 BBB	\$246.77
Parchment			R	#.4	2L8Z 7831012 BBA	\$246.88
w/o Audiophile Sound System						
Black		02	R	#.4	YL8Z 7831012 CAC	\$357.17
Graphite			R	#.4	YL8Z 7831012 CAB	\$314.35
Parchment			R	#.4	YL8Z 7831012 CAA	\$314.35
2003						
w/Audiophile Sound System						
Black			R	#.4	3L8Z 7831012 BAA	\$291.83
Flint						
To 12-1-02			R	#.4	3L8Z 7831012 BAB	\$350.80
From 12-2-02			R	#.4	3L8Z 7831012 GAA	\$298.50
Pebble			R	#.4	3L8Z 7831012 BAC	\$291.83
w/o Audiophile Sound System						

2001 Ford Escape XLT Utility

Black	R	#.4	YL8Z 7831012 CAC	\$357.17
Flint				
To 12-1-02	R	#.4	YL8Z 7831012 CAD	\$227.33
From 12-2-02	R	#.4	YL8Z 7831012 CAF	\$356.50
Pebble	R	#.4	YL8Z 7831012 CAE	\$250.20

2004

w/Audiophile Sound System

Black	R	#.4	3L8Z 7831012 BAA	\$291.83
Flint	R	#.4	3L8Z 7831012 GAA	\$298.50
Pebble	R	#.4	3L8Z 7831012 BAC	\$291.83

w/o Audiophile Sound System

Black	R	#.4	YL8Z 7831012 CAC	\$357.17
Flint	R	#.4	YL8Z 7831012 CAF	\$356.50
Pebble	R	#.4	YL8Z 7831012 CAE	\$250.20

2005-07

4 Speaker System

Ebony	05-0 R	#.4	5L8Z 7831012 CAA	\$136.05
	07 R	#.4	5L8Z 7831012 AAA	\$222.77
Flint	05-0 R	#.4	5L8Z 7831012 CAB	\$116.63
	07 R	#.4	5L8Z 7831012 AAB	\$222.18
Pebble	05-0 R	#.4	5L8Z 7831012 CAC	\$125.97
	07 R	#.4	5L8Z 7831012 AAC	\$222.18

7 Speaker System

Ebony	05-0 R	#.4	5L8Z 7831012 BAA	\$136.05
	07 R	#.4	5L8Z 7831012 BAG	\$287.47
Flint	05-0 R	#.4	5L8Z 7831012 BAB	\$125.97
	07 R	#.4	5L8Z 7831012 BAH	\$239.98
Pebble	05-0 R	#.4	5L8Z 7831012 BAC	\$136.05
	07 R	#.4	5L8Z 7831012 BAJ	\$289.33

Left

2001-02

w/Pwr Socket

Black	L	#.4	YL8Z 7831013 CAC	\$267.83
Graphite	L	#.4	YL8Z 7831013 CAB	\$230.92
Parchment	L	#.4	YL8Z 7831013 CAA	\$230.92

w/o Pwr Socket

Black	L	#.4	YL8Z 7831013 BAC	\$228.00
Graphite	L	#.4	YL8Z 7831013 BAB	\$244.27
Parchment	L	#.4	YL8Z 7831013 BAA	\$303.08

2003

To 12-1-02

w/Pwr Socket

Black	L	#.4	YL8Z 7831013 CAC	\$267.83
-------	---	-----	------------------	----------

2001 Ford Escape XLT Utility

Flint	L	#.4	YL8Z 7831013 CAD	\$230.92
Pebble	L	#.4	YL8Z 7831013 CAE	\$252.53
w/o Pwr Socket				
Black	L	#.4	YL8Z 7831013 BAC	\$228.00
Flint	L	#.4	YL8Z 7831013 BAF	\$228.00
Pebble	L	#.4	YL8Z 7831013 BAE	\$228.00
From 12-2-02				
Black	L	#.4	3L8Z 7831013 EAA	\$224.08
Flint	L	#.4	3L8Z 7831013 EAC	\$210.83
Pebble	L	#.4	3L8Z 7831013 EAD	\$334.75

2004

Black	L	#.4	3L8Z 7831013 EAA	\$224.08
Flint	L	#.4	3L8Z 7831013 EAC	\$210.83
Pebble	L	#.4	3L8Z 7831013 EAD	\$334.75
2005-07				
Black	L	#.4	5L8Z 7831013 BAD	\$239.33
Flint	L	#.4	5L8Z 7831013 BAE	\$193.40
Pebble	L	#.4	5L8Z 7831013 BAF	\$239.33

#Includes R&R Liftgate Scuff Plate

7 Clip, Trim Panel (a) (c)	05-0	R	* W706778 S309	\$7.00
		L	* W706778 S309	\$7.00
8 Retainer, Trim Panel (a) (c)	05-0	R	* W709758 S300	\$1.75
		L	* W709758 S300	\$1.75

(a) As Required

9 Cover, Jack (c)	2005-07			
	4 Speaker System			
Black		R	5L8Z 7845626 BAA	\$25.72
Flint		R	5L8Z 7845626 BAB	\$25.72
Pebble		R	5L8Z 7845626 BAC	\$25.72
7 Speaker System		R	5L8Z 7845626 AAA	\$25.72
		R	5L8Z 7845626 AAB	\$25.72
		R	5L8Z 7845626 AAC	\$25.72

10 Knob, Cover (a) (c)	05-0	R	YL8Z 7821850 AAC	\$17.37
	05-0	R	YL8Z 7821850 AAD	\$17.37
	05-0	R	YL8Z 7821850 AAE	\$17.37

(a) As Required

(c) Included w/Lower Trim Panel Assy

11 Insert, Trim Panel	2005-07			
		R	5L8Z 7831056 AAA	\$6.53

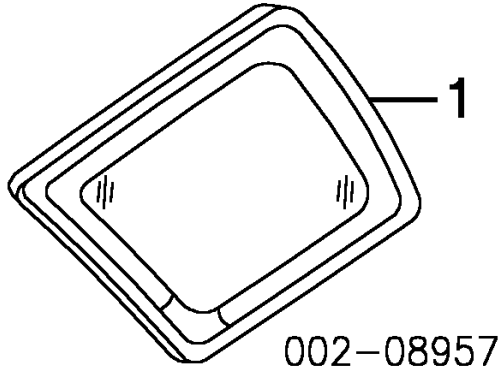


2001 Ford Escape XLT Utility

		L	5L8Z 7831057 AAA	\$6.53
Flint		R	5L8Z 7831056 AAB	\$6.17
		L	5L8Z 7831057 AAB	\$6.53
Pebble		R	5L8Z 7831056 AAC	\$6.53
		L	5L8Z 7831057 AAC	\$6.53
12 Ring, Socket		L	1L2Z 15K040 AB	\$14.39
13 Socket, Power				
Factory Installed		L	1L2Z 19N236 BA	\$12.00
Dealer Installed		L	1L8Z 19N236 AAA	\$29.98
14 Cover, Socket		L	1L2Z 19A487 AAA	\$4.70
15 Cover, Luggage				
2001-02				
Black	02	.1	YL8Z 7845440 AAH	\$129.10
Graphite		.1	YL8Z 7845440 AAA	\$131.33
Parchment		.1	YL8Z 7845440 AAB	\$137.90
	2003			
Black		.1	YL8Z 7845440 AAH	\$129.10
Flint				
To 12-1-02		.1	YL8Z 7845440 AA E	\$131.69
From 12-2-02		.1	YL8Z 7845440 AA F	\$129.10
Pebble		.1	YL8Z 7845440 AA G	\$129.10
	2004			
Black		.1	YL8Z 7845440 AA H	\$129.10
Flint		.1	YL8Z 7845440 AA F	\$129.10
Pebble		.1	YL8Z 7845440 AA G	\$129.10
	2005-07			
Black		.1	5L8Z 7845440 AA	\$128.76
Flint		.1	5L8Z 7845440 AB	\$128.76
Pebble		.1	5L8Z 7845440 AC	\$128.76
16 Hook, Cargo Net (a)	01-0	R	YL8Z 7846002 BA	\$9.10
		L	YL8Z 7846002 BA	\$9.10
(a) As Required				
Net, Rear Cargo	01-04		YL8Z 7855066 AA	\$43.26
17 Sub-Woofer				
2001-02		R	.5 YL8Z 18C804 AB	\$228.36
2003-04 (a)		R	.5 YL8Z 18C804 AB	\$228.36
2005-06 (a)		R	.5 7T2Z 18C804 AA	\$291.60
	2007	R	.5 7L8Z 18C804 B	\$176.03
(a) Order by Application				
Module, Park Distance		R	.4 3L8Z 15K866 AA	\$146.28

2001 Ford Escape XLT Utility

## QUARTER GLASS



R&I Quarter Glass

R #1.4  
L #1.4

#w/Headliner Removed, Includes Clean Up Old Adhesive as Necessary

1 Glass, Quarter  
Ford  
Green

	2001	R	#1.1	YL8Z 7829700 CA	\$977.40
		L	#1.1	YL8Z 7829701 CA	\$1,009.10
2002-04		R	#1.1	5L8Z 7829700 AA	\$952.65
		L	#1.1	5L8Z 7829701 AA	\$818.83
	2005				
To 1-3-05		R	#1.1	5L8Z 7829700 AA	\$952.65
		L	#1.1	5L8Z 7829701 AA	\$818.83
From 1-4-05		R	#1.1	5L8Z 7829700 AA	\$952.65
		L	#1.1	5L8Z 7829701 AA	\$818.83
2006-07		R	#1.1	5L8Z 7829700 AA	\$952.65
		L	#1.1	5L8Z 7829701 AA	\$818.83
Privacy	01	R	#1.1	YL8Z 7829700 DA	\$1,009.88
		L	#1.1	YL8Z 7829701 DA	\$1,067.98
	02-0	R	#1.1	2L8Z 7829700 DA	\$289.73
		L	#1.1	2L8Z 7829701 DA	\$289.73
NAGS					
	2001				
Green		R	#1.1	DQ09755GTY	\$1,134.70
		L	#1.1	DQ09756GTY	\$1,134.70
Privacy		R	#1.1	DQ09755YPY	\$805.05
		L	#1.1	DQ09756YPY	\$805.05
2002-07					
Green					
w/Attachments		R	#1.1	DQ10055GTY	
		L	#1.1	DQ10056GTY	

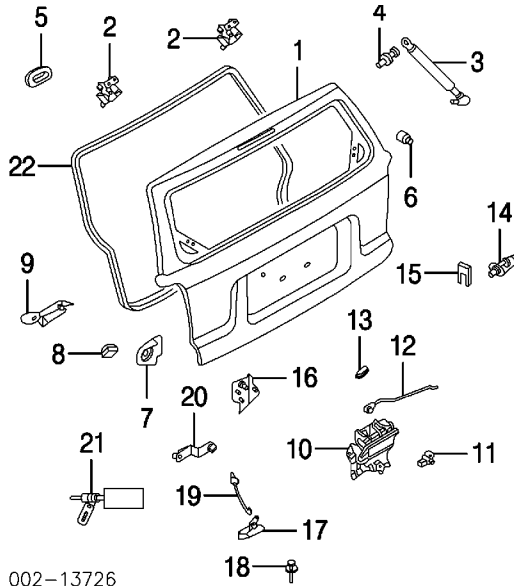
2001 Ford Escape XLT Utility

w/o Attachments	R	#1.1	DQ10055GTN	\$233.25
	L	#1.1	DQ10056GTN	\$233.25
Privacy				
w/Attachments	R	#1.1	DQ10055YPY	
	L	#1.1	DQ10056YPY	
w/o Attachments	R	#1.1	DQ10055YPN	\$203.10
	L	#1.1	DQ10056YPN	\$203.10
#w/Headliner Removed, Includes Clean Up Old Adhesive as Necessary				
Adhesive, Glass			N.A.	

## LIFTGATE

Procedures 25 and 28

### SHEET METAL



002-13726

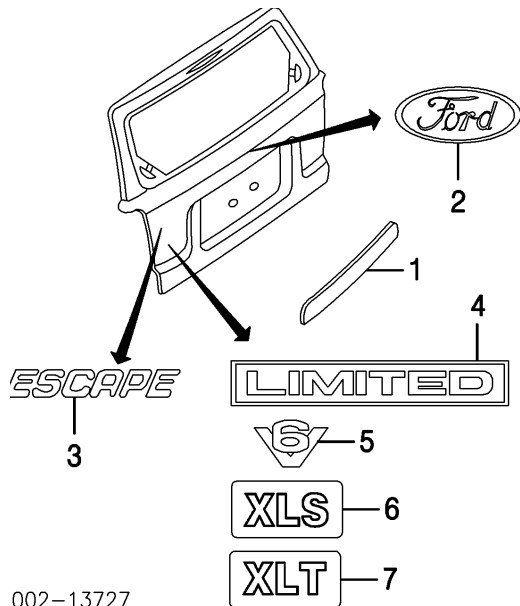
Refinish Gate Shell Outside			2.6	
Add for Jamb & Interior			1.3	
Refinish Hinge	R		.5	
	L		.5	
R&I Liftgate Assy			.8	
R&I Outside Handle		#.5		
R&I Lock Cylinder		#.4		
#Includes R&I Trim Panel				
R&R Washer Nozzle		#.2		
#Included in R&R Liftgate				
1 Shell, Liftgate		#3.5	1L8Z 7840010 AA	\$1,129.72
#Includes R&I/R&R Wiper Components				
2 Hinge, Liftgate	R	#.2	YL8Z 7842900 AA	\$39.87
	L	#.2	YL8Z 7842900 AA	\$39.87
#w/Liftgate Removed				
3 Support, Liftgate	01-0 R	.2	YL8Z 78406A10 AA	\$35.03
	L	.2	YL8Z 78406A11 AA	\$39.57
	07 R	.2	6L8Z 78406A10 A	\$29.62
	L	.2	YL8Z 78406A11 AA	\$39.57
4 Stud, Support	R		* W705915 S900	\$1.68
	L		* W705915 S900	\$1.68
5 Plug, Seal	R		* W705904 S300	\$2.75
	L		* W705904 S300	\$2.75

2001 Ford Escape XLT Utility

6 Bumper, Rubber	R	* W705903 S300	\$2.75
	L	* W705903 S300	\$2.75
7 Dovetail	R	8L8Z 78404W04 A	\$6.52
	L	8L8Z 78404W04 A	\$6.52
8 Wedge	01-0 R	3L8Z 78404C28 AA	\$10.88
	L	3L8Z 78404C28 AA	\$10.88
	05-0 R	5L8Z 78404C28 AA	\$11.10
	L	5L8Z 78404C28 AA	\$11.10
9 Seal, Lower	R	YL8Z 7843708 BA	\$42.93
	L	YL8Z 7843709 BA	\$19.28
10 Handle, Outside #w/Trim Panel Removed	#.3	7L8Z 7843400 AA	\$147.00
11 Retainer, Handle Green	01-06	F6DZ 5421952 AA	\$9.76
	07	5L8Z 7821952 A	\$8.30
Yellow, (2)		E83Z 5421952 B	\$2.71
12 Rod, Lock		YL8Z 7843876 AA	\$15.18
13 Clip, Rod (2)		YL8Z 78434A26 AA	\$10.22
14 Cylinder, Lock #w/Trim Panel Removed	#.2	YL8Z 7843432 AB	\$107.02
15 Clip, Lock Cylinder		YL8Z 78434A26 AA	\$10.22
16 Striker, Upper		.2 YL8Z 78404A43 AA	\$29.50
17 Latch, Liftgate	01-0 #.3	6L8Z 7843150 A	\$51.75
	07 #.3	7L8Z 7843150 A	\$62.47
#w/Trim Panel Removed			
18 Striker, Lower #w/Scuff Plate Removed	#.2	8L8Z 7843252 B	\$19.12
19 Rod, Latch		YL8Z 7840888 AA	\$7.67
20 Button, Release		YL8Z 78434A26 AA	\$10.22
21 Switch, Liftgate	01-0	2L8Z 78432A38 AA	\$52.68
	07	2L8Z 78432A38 AA	\$52.68
Actuator, Liftgate	07	6L8Z 14B350 A	\$155.18
22 Weatherstrip (On Body)	.4	YL8Z 7843720 AA	\$53.68

EXTERIOR TRIM

2001 Ford Escape XLT Utility



002-13727

**R&I Liftgate Moulding**

#.5

#Includes R&I Trim Panel

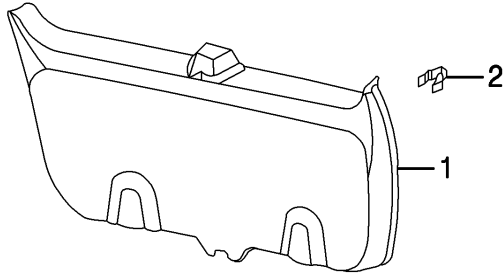
1 Moulding, Liftgate

	Year	Quantity	Part Number	Description	Price
	2001				
To 11-16-00		#.3	YL8Z 7841018 BAA		\$105.40
From 11-17-00		#.3	YL8Z 7841018 BAB		\$53.45
	2002	#.3	YL8Z 7841018 BAB		\$53.45
	2003-06				
XLS, XLT Model		#.3	YL8Z 7841018 BAB		\$53.45
XLT Sport Model	05-0	#.3	N.A.		
Limited Model					
Black, (Code UA)		#.3	3L8Z 7841018 AAE		\$79.32
Gold Ash, (Code C2)		#.3	3L8Z 7841018		\$86.68
Redfire, (Code G2)	05-0	#.3	3L8Z 7841018		\$86.68
Paint to Match		#.3	3L8Z 7841018		\$86.68
	2007				
Smooth Finish (P)		#.3	3L8Z 7841018		\$86.68
Textured Finish		#.3	YL8Z 7841018 BAB		\$53.45
(P) Paint to Match					
#w/Trim Panel Removed					
2 Emblem (Adhesive)		.2	YL8Z 7842528 AB		\$16.17
Nameplate (Adhesive)					
3 "ESCAPE"	01-0	.2	YL8Z 7842528 AC		\$29.00
	07	.2	5L8Z 7842528 A		\$16.33
4 "LIMITED"	03-0	.2	5L1Z 7842528 A		\$17.92
5 "V-6"	05-0	.2	YL8Z 7842528 AA		\$14.90
6 "XLS"		.2	1L2Z 7842528 FA		\$18.42

2001 Ford Escape XLT Utility

7	"XLT"	01-0	.2	1L2Z 7842528 GA	\$17.33
		07	.2	7L8Z 7842528 B	\$5.58

**INTERIOR TRIM**



002-10125



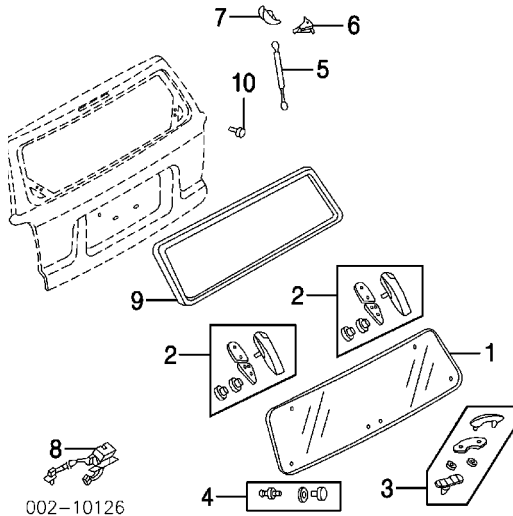
**R&I Trim Panel**

1	Panel, Inside Trim		.2		
	2001-02				
	Black	02	.2	2L8Z 7846404 AAA	\$162.00
	Graphite		.2	YL8Z 7846404 AAB	\$200.63
	Parchment		.2	YL8Z 7846404 AAA	\$192.87
		2003			
	Black		.2	2L8Z 7846404 AAA	\$162.00
	Flint				
	To 12-1-02		.2	1L8Z 7846404 AAA	\$173.67
	From 12-2-02		.2	2L8Z 7846404 AAB	\$176.83
	Pebble		.2	1L8Z 7846404 AAB	\$176.83
	2004-07				
	Ebony		.2	2L8Z 7846404 AAA	\$162.00
	Flint		.2	2L8Z 7846404 AAB	\$176.83
	Pebble		.2	1L8Z 7846404 AAB	\$176.83
	2 Retainer, Panel			* W707749 S424	\$2.00
	3 Grommet			* W706575 S300	\$1.50

¶As Required

**GLASS & PARTS**

2001 Ford Escape XLT Utility



002-10126

**R&I Liftgate Glass**

#.5

#Included in R&R Gate Shell

1 Glass, Liftgate  
Ford  
Green

	2001	.7	YL8Z 7842006 CB	\$578.97
	2002			
To 12-10-01		.7	YL8Z 7842006 CB	\$578.97
From 12-11-01		.7	2L8Z 7842006 CA	\$863.82
2003-07		.7	2L8Z 7842006 CA	\$863.82
Privacy				
	2001	.7	2L8Z 7842006 DA	\$568.03
	2002			
To 12-10-01		.7	2L8Z 7842006 DA	\$568.03
From 12-11-01		.7	2L8Z 7842006 DA	\$568.03
2003-07		.7	2L8Z 7842006 DA	\$568.03
NAGS				
Green				
	2001			
w/Attachments		.7	DB09757GTY	
w/o Attachments		.7	DB09757GTN	\$340.40
	2002			
To 11-28-01				
w/Attachments		.7	DB09757GTY	
w/o Attachments		.7	DB09757GTN	\$340.40
From 11-29-01		.7	DB10273GTN	\$340.40
2003-07		.7	DB10273GTN	\$340.40
Gray Privacy				
	2001			
w/Attachments		.7	DB09757YPY	



2001 Ford Escape XLT Utility

w/o Attachments			.7	DB09757YPN	\$342.65
	2002				
To 11-28-01					
w/Attachments			.7	DB09757YPY	
w/o Attachments			.7	DB09757YPN	\$342.65
From 11-29-01			.7	DB10273YPN	\$342.65
2003-07			.7	DB10273YPN	\$342.65
2 Hinge, Glass	R	#.2		YL8Z 78420A68 BA	\$52.63
	L	#.2		YL8Z 78420A69 BA	\$52.63
#w/Liftgate Glass Removed					
3 Handle, Glass		#.1		YL8Z 78440A58 BA	\$43.33
#Included in R&R Liftgate Glass					
4 Brkt, Lower Support	R			YL8Z 7842146 AA	\$28.42
	L			YL8Z 7842146 AA	\$28.42
5 Support, Liftgate Glass	R	.2		YL8Z 7842104 AA	\$27.28
	L	.2		YL8Z 7842104 AA	\$27.28
6 Brkt, Upper Support	R			7L8Z 7804366 A	\$19.53
	L			7L8Z 7804367 A	\$14.90
7 Cover, Bracket	R			YL8Z 78431B38 AA	\$24.00
	L			YL8Z 78431B39 AA	\$24.00
8 Latch, Glass		#.3		6L8Z 7840860 AA	\$72.02
#w/Trim Panel Removed					
9 Weatherstrip, Glass		#.2		YL8Z 7842084 AA	\$54.22
#w/Liftgate Glass Removed					
10 Bumper, Glass	R			* W705921 S300	\$2.75
	L			* W705921 S300	\$2.75

WIPER SYSTEM



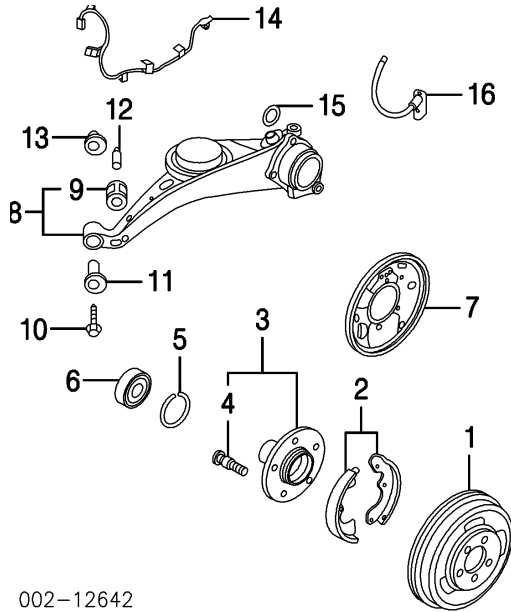
2001 Ford Escape XLT Utility

2005-07		5L8Z 17A605 AA	\$28.98
13 Hose, Washer		YL8Z 17408 BA	\$9.98
14 Clip, Hose (a)		* W706723 S300	\$2.00
(a) As Required			
15 Valve, Washer Hose		F8CZ 17A614 AA	\$3.49
16 Nozzle, Washer	#.2	YL8Z 17603 AB	\$8.98
#Included in R&R Gate Shell			

## REAR SUSPENSION

### Procedure 23

### 2WD



002-12642

R&I Suspension/Crossmember Assy

#3.3

#Includes R&I Exhaust System

R&I Suspension (One Side)

R	1.8
L	1.8

O/H Suspension (Includes R&I)

One Side (Includes R&I)

R	4.0
L	4.0

Both Sides (Includes R&I)

7.4

Adjust Four Wheel Alignment

1.8

Adjust Rear Alignment

1.3

Bleed Brake System

w/ABS

.6

w/o ABS

.3

NOTE 1: R&I/R&R Does Not include alignment or bleed brake system.

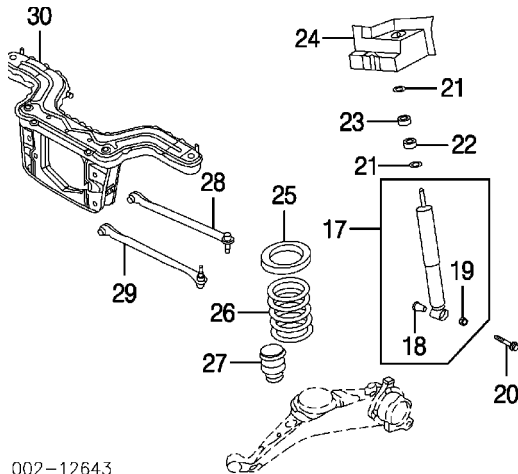
NOTE 2: All Parts in this section are included in overhaul unless noted otherwise.



2001 Ford Escape XLT Utility

	L		6L8Z 5K751 AB	\$8.72
12 Collar, Bushing	R		5L8Z 5A638 AA	\$21.98
	L		5L8Z 5A638 AA	\$21.98
13 Plate, Inner Adjusting	01-0 R		5L8Z 5K751 AB	\$5.48
	L		5L8Z 5K751 AB	\$5.48
	07 R		6L8Z 5K751 A	\$11.93
	L		6L8Z 5K751 A	\$11.93
14 Sensor, Rear ABS-See ABS/Brakes Section				
15 Brkt, ABS Sensor	R		YL8Z 2C075 CA	\$19.98
	L		YL8Z 2C075 CA	\$19.98
16 Hose, Brake	01-0 R	#.3	7L8Z 2282 C	\$26.63
	L	#.3	7L8Z 2282 D	\$28.30
	05-0 R	#.3	5L8Z 2282 AA	\$39.68
	L	#.3	5L8Z 2282 AC	\$39.97
	07 R	#.3	7L8Z 2282 C	\$26.63
	L	#.3	7L8Z 2282 D	\$28.30

#w/Knuckle Removed Deduct .2



002-12643

17 Absorber Assy, Shock

2001-04

2.0L Eng

R	#.6	3L8Z 18125 CB	\$60.98
L	#.6	3L8Z 18125 CB	\$60.98

3.0L Eng

R	#.6	3L8Z 18125 BB	\$60.98
L	#.6	3L8Z 18125 BB	\$60.98

2005-07 (c)

2.3L Eng

05-0 R	#.6	5L8Z 18125 DB	\$54.58
L	#.6	5L8Z 18125 DB	\$54.58
07 R	#.6	N.A.	
L	#.6	N.A.	

2001 Ford Escape XLT Utility

3.0L Eng	R	#.6	7L8Z 18125 AB	\$71.92
	L	#.6	7L8Z 18125 AB	\$71.92
(c) Order by Application				
#R&R Both 1.0, w/Knuckle Removed Deduct .3				
18 Bushing, Shock Mtg (b)	R		YL8Z 18198 AC	\$10.07
	L		YL8Z 18198 AC	\$10.07
19 Rubber, Mtg (b)	R		8L8Z 5K827 A	\$16.65
	L		8L8Z 5K827 A	\$16.65
(b) Included w/Shock Absorber Assy				
20 Bolt, Shock Mtg	R		* W706874 S439	\$10.50
	L		* W706874 S439	\$10.50
21 Retainer, Shock (2/Side)	R		7L8Z 18197 A	\$4.30
	L		7L8Z 18197 A	\$4.30
22 Insulator, Shock	R		YL8Z 18197 AA	\$3.98
	L		YL8Z 18197 AA	\$3.98
23 Bushing, Upr Shock Mtg				
2.0L Eng	01-0	R	YL8Z 18017 BA	\$3.98
		L	YL8Z 18017 BA	\$3.98
2.3L Eng	05-0	R	N.A.	
		L	N.A.	
3.0L Eng		R	YL8Z 18017 AA	\$16.98
		L	YL8Z 18017 AA	\$16.98
24 Reinf, Shock Mount	R	#	YL8Z 18A002 AA	\$23.30
	L	#	YL8Z 18A003 AA	\$25.42
#Not Included in O/H				
25 Spacer, Spring	R	#.8	YL8Z 5A565 AA	\$17.16
	L	#.8	YL8Z 5A565 AA	\$17.16
26 Spring, Coil				
2001-04				
2.0L Eng	R	#.8	YL8Z 5560 GA	\$28.97
	L	#.8	YL8Z 5560 GA	\$28.97
3.0L Eng	R	#.8	YL8Z 5560 CA	\$60.00
	L	#.8	YL8Z 5560 CA	\$60.00
2005-07 (c)	R	#.8	5L8Z 5560 AA	\$149.99
	L	#.8	5L8Z 5560 AA	\$149.99
(c) Order by Application				
#R&R One Side Complete, R&R Both Sides 1.4, Includes R&R Shock Absorber				
27 Stop, Bump	R		9L8Z 18159 A	\$11.08
	L		9L8Z 18159 A	\$11.08
28 Arm, Upr Control	R	#.6	YL8Z 5500 AA	\$54.47
	L	#.6	YL8Z 5500 AB	\$54.47
29 Arm, Lwr Control	R	#.6	5L8Z 5500 AC	\$58.80

2001 Ford Escape XLT Utility

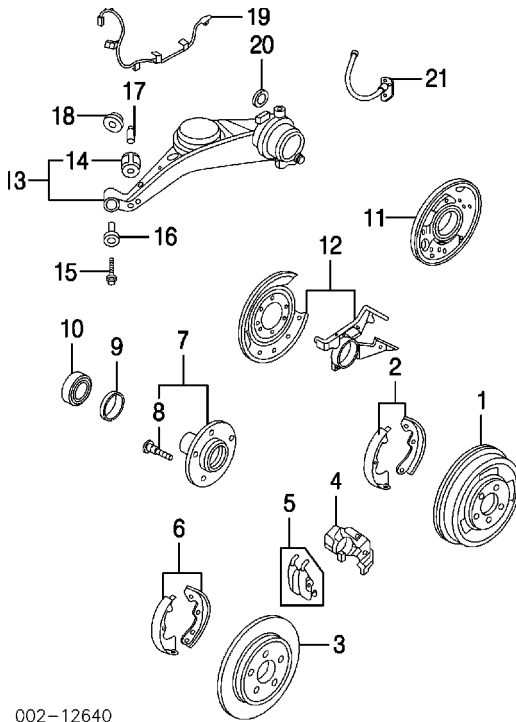
L #.6 5L8Z 5500 AD \$58.80

#R&R Both One Side 1.0, w/Knuckle Removed Deduct .4

30 Xmbr, Rear Suspension	01-0	#2.3	5L8Z 5035 DA	\$470.63
	05-0	#2.3	6L8Z 5035 A	\$306.08
	07	#2.3	6L8Z 5035 B	\$311.37

#Not Included in O/H

4WD



002-12640

R&I Suspension/Crossmember Assy

#4.7

#Includes R&I Exhaust System

R&I Suspension (One Side)

R	2.1
L	2.1

O/H Suspension (Includes R&I)

One Side (Includes R&I)

R	4.3
L	4.3

Both Sides (Includes R&I)

8.0

Adjust Four Wheel Alignment

1.8

Adjust Rear Alignment

1.3

Bleed Brake System



2001 Ford Escape XLT Utility

w/ABS .6  
w/o ABS .3

NOTE 1: R&I/R&R Does Not include alignment or bleed brake system.

NOTE 2: All Parts in this section are included in overhaul unless noted otherwise.

1 Drum, Brake	01-0 R	#.3	7L8Z 1126 A	\$127.47
	L	#.3	7L8Z 1126 A	\$127.47
	07 R	#.3	7L8Z 1126 A	\$127.47
	L	#.3	7L8Z 1126 A	\$127.47
#R&R Both .5				
2 Shoe Set, Brake		#1.4	6L8Z 2200 A	\$105.62
#Includes R&R Brake Drums, Not Included in O/H				
3 Rotor, Brake	05-0 R	#.6	5L8Z 2C026 BA	\$116.63
	L	#.6	5L8Z 2C026 BA	\$116.63
#R&R Both 1.0				
4 Caliper, Brake	05-0 R	#.5	6L8Z 2552 A	\$93.20
	L	#.5	6L8Z 2553 A	\$92.33
#R&R Both Sides .8, w/Rotor Removed Deduct .3				
5 Pad Set, Brake	05-0	#1.0	6L8Z 2200 B	\$90.07
#Deduct .5 for Each Caliper Removed				
6 Shoe Set, Parking Brake	05-0	#1.6	5L8Z 2A753 AA	\$83.30
#Includes R&R Rotors				
7 Hub Assy	01-0 R	#2.6	6L8Z 1109 BA	\$217.00
	L	#2.6	6L8Z 1109 BA	\$217.00
	05-0 R	#2.6	6L8Z 1109 BA	\$217.00
	L	#2.6	6L8Z 1109 BA	\$217.00
8 Stud, Lug (5/Side)¶	R		6L8Z 1107 A	\$5.37
	L		6L8Z 1107 A	\$5.37
¶Included w/Hub Assy				
9 Retainer, Bearing	R	#2.6	YL8Z 1L124 AA	\$7.50
	L	#2.6	YL8Z 1L124 AA	\$7.50
10 Bearing, Axle	R	#2.6	YL8Z 1225 AA	\$64.15
	L	#2.6	YL8Z 1225 AA	\$64.15
11 Plate, Backing	R	#2.6	YL8Z 2211 AA	\$59.98
	L	#2.6	YL8Z 2212 AA	\$79.98
12 Shield, Adapter/Splash	05-0 R	#2.6	6L8Z 2B540 A	\$167.87
	L	#2.6	6L8Z 2B540 B	\$167.87
13 Knuckle Assy	01-0 R	#2.6	AL8Z 5500 A	
	L	#2.6	8L8Z 5808 AA	

2001 Ford Escape XLT Utility

05-0	R	#2.6	AL8Z 5500 A
	L	#2.6	8L8Z 5808 AA
07	R	#2.6	AL8Z 5500 A
	L	#2.6	8L8Z 5808 AA

#R&R One Side Complete, Includes R&R Brake Drum or Rotor

14	Bushing, Knuckle (a)	R	2.8	8L8Z 5K827 A	\$16.65
		L	2.8	8L8Z 5K827 A	\$16.65

(a) Included w/Knuckle Assy

15	Bolt, Adjusting	R		* W500749 S439	\$9.00
		L		* W500749 S439	\$9.00

16	Plate, Outer Adjusting	01-0	R	5L8Z 5K751 AA	\$8.92
			L	5L8Z 5K751 AA	\$8.92
		05-0	R	6L8Z 5K751 A	\$11.93
			L	6L8Z 5K751 A	\$11.93
		07	R	6L8Z 5K751 AB	\$8.72
			L	6L8Z 5K751 AB	\$8.72

17	Collar, Bushing	R		5L8Z 5A638 AA	\$21.98
		L		5L8Z 5A638 AA	\$21.98

18	Plate, Inner Adjusting	01-0	R	5L8Z 5K751 AB	\$5.48
			L	5L8Z 5K751 AB	\$5.48
		05-0	R	6L8Z 5K751 AB	\$8.72
			L	6L8Z 5K751 AB	\$8.72
		07	R	6L8Z 5K751 A	\$11.93
			L	6L8Z 5K751 A	\$11.93

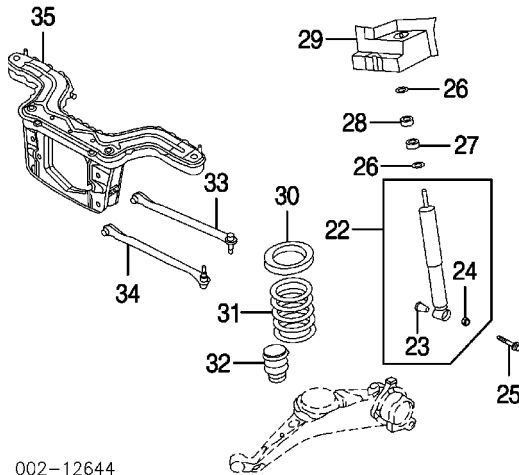
19 Sensor, Rear ABS-See ABS/Brakes Section

20	Brkt, Sensor Mtg	R		YL8Z 2C075 CA	\$19.98
		L		YL8Z 2C075 CA	\$19.98

21	Hose, Brake	01-0	R	#.3	7L8Z 2282 C	\$26.63
			L	#.3	7L8Z 2282 D	\$28.30
		05-0	R	#.3	5L8Z 2282 AA	\$39.68
			L	#.3	5L8Z 2282 AC	\$39.97

#w/Knuckle Assy Removed Deduct .2

2001 Ford Escape XLT Utility



002-12644

22 Absorber Assy, Shock

2001-04

2.0L Eng	R	#.6	3L8Z 18125 CB	\$60.98
	L	#.6	3L8Z 18125 CB	\$60.98
3.0L Eng	R	#.6	3L8Z 18125 BB	\$60.98
	L	#.6	3L8Z 18125 BB	\$60.98

2005-07

2.3L Eng	05-0 R	#.6	5L8Z 18125 DB	\$54.58
	L	#.6	5L8Z 18125 DB	\$54.58
	07 R	#.6	N.A.	
	L	#.6	N.A.	
3.0L Eng	R	#.6	7L8Z 18125 AB	\$71.92
	L	#.6	7L8Z 18125 AB	\$71.92

#R&R Both 1.0, w/Coil Spring Removed Deduct .3

23 Bushing, Shock Mtg (b)	R		YL8Z 18198 AC	\$10.07
	L		YL8Z 18198 AC	\$10.07
24 Rubber, Mtg (b)	R		8L8Z 5K827 A	\$16.65
	L		8L8Z 5K827 A	\$16.65

(b) Included w/Shock Absorber Assy

25 Bolt, Shock Mtg	R		* W706874 S439	\$10.50
	L		* W706874 S439	\$10.50
26 Retainer, Shock (2/Side)	R		7L8Z 18197 A	\$4.30
	L		7L8Z 18197 A	\$4.30
27 Insulator, Shock	R		YL8Z 18197 AA	\$3.98
	L		YL8Z 18197 AA	\$3.98
28 Bushing, Upr Shock Mtg				
2.0L Eng	01-0 R		YL8Z 18017 BA	\$3.98
	L		YL8Z 18017 BA	\$3.98

2001 Ford Escape XLT Utility

2.3L Eng	05-0 R		N.A.	
	L		N.A.	
3.0L Eng	R		YL8Z 18017 AA	\$16.98
	L		YL8Z 18017 AA	\$16.98
29 Reinf, Shock Mount	R	#	YL8Z 18A002 AA	\$23.30
	L	#	YL8Z 18A003 AA	\$25.42
#Not Included in O/H				
30 Spacer, Spring	R	#.8	YL8Z 5A565 AA	\$17.16
	L	#.8	YL8Z 5A565 AA	\$17.16
31 Spring, Coil (c)	01-0 R	#.8	YL8Z 5560 CA	\$60.00
	L	#.8	YL8Z 5560 CA	\$60.00
	05-0 R	#.8	5L8Z 5560 FA	\$149.99
	L	#.8	5L8Z 5560 FA	\$149.99

(c) Order by Application

#R&R One Side Complete, R&R Both Sides 1.4, Included in R&R Knuckle Assy

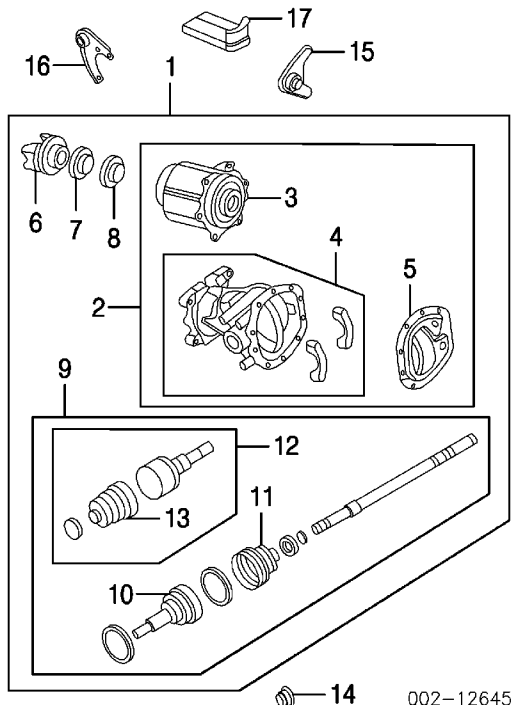
32 Stop, Bump	R		9L8Z 18159 A	\$11.08
	L		9L8Z 18159 A	\$11.08
33 Arm, Upr Control	R	#.6	YL8Z 5500 AA	\$54.47
	L	#.6	YL8Z 5500 AB	\$54.47
34 Arm, Lwr Control	R	#.6	5L8Z 5500 AC	\$58.80
	L	#.6	5L8Z 5500 AD	\$58.80

#R&R Both One Side 1.0, w/Knuckle Assy Removed Deduct .4

35 Xmbr, Rear Suspension	01-0	#6.5	5L8Z 5035 CA	\$388.27
	05-0	#6.5	6L8Z 5035 A	\$306.08

#Not Included in O/H

## REAR DRIVE AXLE



R&I Rear Axle Assy

R&I Axle Shaft Assy

5.0

R #.4

L #.4

#w/Necessary Suspension Components Removed

### 1 Axle Assy, Rear

2001-04

w/ABS

5.7 3L84 4026 CA \$1,361.78

w/o ABS

5.7 3L84 4026 BA \$1,267.93

2005-06

5.7 5L84 4026 FC \$1,610.02

2007

5.7 N.A.

### 2 Differential Assy¶

2001-02 (a)

w/Sensor

4.6 2L8Z 4200 BA \$1,491.67

w/o Sensor

4.6 2L8Z 4200 AA \$1,491.67

2003-04 (a)

4.6 3L8Z 4200 BA \$1,576.65

2005-07

4.6 6L8Z 4200 A \$1,315.07

(a) Order by Application

### 3 Carrier, Diff'l (b)¶

01-0 #2.0 3L8Z 7505 AA \$1,598.60

05-0 #2.0 6L8Z 4A232 A \$523.48

#

### 4 Case, Differential (b)¶

2001-04

2001 Ford Escape XLT Utility

w/Sensor		#2.4	YL8Z 4141 BA	\$417.98
w/o Sensor		#2.4	YL8Z 4141 AA	\$393.83
2005-07		#2.4	YL8Z 4141 AA	\$393.83
5 Cover, Diff'l (b)¶		#.8	YL8Z 4033 AA	\$81.65
(b) Included w/Differential Assy				
#w/Rear Axle Assy Removed				
6 Flange, Diff'l¶			YL8Z 4851 AA	\$75.15
2001-04				
2005-07-Serviced w/Rear Axle Assy				
7 Seal, Diff'l¶			8G1Z 4N046 A	\$17.08
2001-04				
2005-07-Serviced w/Rear Axle Assy				
8 Bearing, Differential¶			YL8Z 4240 AA	\$51.65
2001-04				
2005-07-Serviced w/Rear Axle Assy				
9 Shaft Assy, Axle¶				
w/ABS	01-0 R	#.4	YL8Z 4B436 BB	\$498.65
	L	#.4	YL8Z 4B436 BC	\$541.65
	05-0 R	#.4	5L8Z 4234 BC	\$334.98
	L	#.4	5L8Z 4234 BD	\$339.98
w/o ABS	R	#.4	YL8Z 4B436 AB	\$546.65
	L	#.4	YL8Z 4B436 AC	\$541.65
#w/Necessary Suspension Components Removed				
10 Joint, Outer Axle (c)¶				
2001-04				
w/ABS	R	#.4	YL8Z 4K138 BC	\$511.20
	L	#.4	YL8Z 4K139 BC	\$580.78
w/o ABS	R	#.4	YL8Z 4K138 AC	\$686.38
	L	#.4	YL8Z 4K139 AC	\$383.98
2005-07-Serviced w/Axle Shaft Assy				
11 Boot Kit, Outer (c)¶				
2001-04	R	#.4	YL8Z 4A331 DB	\$128.32
	L	#.4	YL8Z 4A331 DB	\$128.32
2005-07-Serviced w/Axle Shaft Assy				

2001 Ford Escape XLT Utility

#R&R One Side Complete, w/Axle Shaft Assy Removed

12	Joint Assy, Inner Axle (c)¶				
	2001-04	R	#.4	YL8Z 4K326 EA	\$505.98
		L	#.4	YL8Z 4K326 EA	\$505.98

2005-07-Serviced w/Axle Shaft Assy

13	Boot Kit, Inner (c) (d)¶				
	2001-04	R	#.4	YL8Z 4L537 EB	\$104.48
		L	#.4	YL8Z 4L537 EB	\$104.48

2005-07-Serviced w/Axle Shaft Assy

¶Included w/Rear Axle Assy

(c) Included w/Axle Shaft Assy

(d) Included w/Inner Axle Joint Assy

#R&R One Side Complete, w/Axle Shaft Assy Removed

Indicator, Rear Sensor

2001-06-Serviced w/Axle Shaft Assy

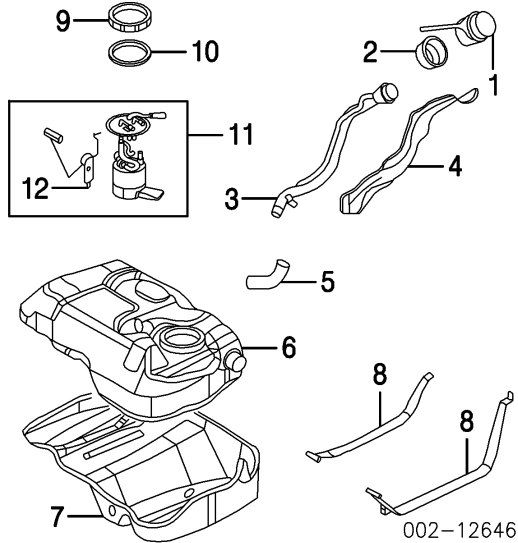
2007-See ABS/Brakes Section

14	Nut, Axle	R		* W705967 S439	\$10.75
		L		* W705967 S439	\$10.75
15	Brkt, Front Diff'l	01-0	R	YL8Z 4K205 AA	\$31.65
			L	YL8Z 4K205 AA	\$31.65
		05-0	R	N.A.	
			L	N.A.	
16	Brkt, Rear Diff'l	01-04		YL8Z 4K204 AA	\$32.28
		05-07		N.A.	
17	Damper, Dynamic			YL8Z 4A263 AA	\$117.32

2001 Ford Escape XLT Utility

**FUEL TANK**

2001-04



R&I Fuel Tank

#2.5

#Includes R&I Exhaust System

Add to R&I/R&R Fuel Tank  
w/AWD

1.5

NOTE: R&I/R&R Does Not include drain and refill.

1	Cap, Fuel Filler			
	Locking	5L8Z 9030 BA		\$54.52
	Non-Locking	6L8Z 9030 B		\$29.26
2	Cover, Dust	8L8Z 9039 A		\$17.49
3	Pipe, Filler			
	2001-02			
	2.0L Eng	.8 YL8Z 9034 DA		\$143.09
	3.0L Eng	.8 YL8Z 9034 CA		\$138.85
			2003	
	To 8-20-02			
	2.0L Eng	.8 YL8Z 9034 DA		\$143.09
	3.0L Eng	.8 YL8Z 9034 CA		\$138.85
	From 8-21-02			
		.8 3L8Z 9034 CA		\$158.38
		.8 3L8Z 9034 CA	2004	\$158.38
4	Insulator, Filler Pipe	YL8Z 9A288 AA		\$32.43
5	Hose, Fuel Filler	2L8Z 9047 AA		\$52.00
6	Tank, Fuel			
	2.0L Eng	#2.7 1L8Z 9002 AA		\$794.02
	3.0L Eng	#2.7 1L8Z 9002 DA		\$823.13



2001 Ford Escape XLT Utility

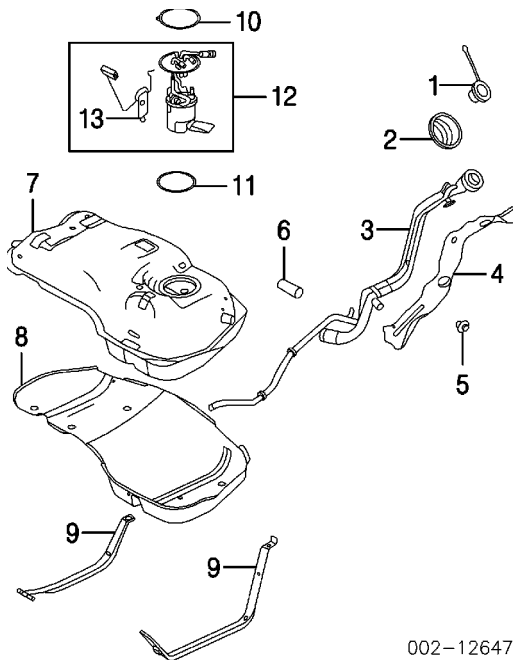
#Includes R&I Exhaust System

7 Shield, Tank				
2001-02			2L8Z 9B007 AA	\$140.55
		2003		
To 1-21-03			2L8Z 9B007 AA	\$140.55
From 1-22-03			2L8Z 9B007 AA	\$140.55
		2004		
8 Strap, Tank			2L8Z 9B007 AA	\$140.55
		R	YL8Z 9092 AA	\$54.06
		L	YL8Z 9092 AB	\$50.11
9 Ring, Retainer			XW4Z 9A307 BA	\$16.49
10 Seal, Pump/Gauge			XW4Z 9276 AA	\$11.83
11 Pump Assy, Fuel		#1.0	YL8Z 9H307 AG	\$365.18
12 Sender, Fuel		#1.0	YL8Z 9A299 AA	\$132.40

¶Included w/Fuel Pump Assy

#Included in R&R Fuel Tank

2005-07



002-12647

R&I Fuel Tank

#2.5

#Includes R&I Exhaust System

Add to R&I/R&R Fuel Tank  
w/AWD

1.5

NOTE: R&I/R&R Does Not include drain and refill.

2001 Ford Escape XLT Utility

1 Cap, Fuel Filler				
w/OVRS				
Locking			8L3Z 9030 E	\$60.38
Non-Locking			7S4Z 9030 A	\$32.92
w/o OVRS				
Locking			5L8Z 9030 BA	\$54.52
Non-Locking			6L8Z 9030 B	\$29.26
2 Cover, Dust			8L8Z 9039 A	\$17.49
3 Pipe, Filler		05-0	.8 7L8Z 9034 B	\$264.32
		07	.8 7L8Z 9034 B	\$264.32
4 Insulator, Filler Pipe			YL8Z 9A288 AA	\$32.43
5 Clip, Insulator (3)			* W525173 S300	\$1.75
6 Protector			YL8Z 9A117 AA	\$20.00
7 Tank, Fuel				
2005-06				
w/OVRS		#2.7	5L8Z 9002 CK	\$789.52
w/o OVRS		#2.7	5L8Z 9002 C	\$524.55
	2007	#2.7	7L8Z 9002 B	\$626.87
#Includes R&I Exhaust System				
8 Shield, Tank		05-06	5L8Z 9B007 BA	\$143.11
		07	8L8Z 9B007 A	\$143.32
9 Strap, Tank		R	8L8Z 9092 A	\$32.23
		L	8L8Z 9092 B	\$37.02
10 Ring, Retainer			5L8Z 9C385 AA	\$6.00
11 O-Ring, Pump			3S4Z 9276 AA	\$6.95
12 Pump Assy, Fuel				
w/OVRS		05-0 #1.0	7L8Z 9H307 C	\$451.43
		07 #1.0	7L8Z 9H307 C	\$451.43
w/o OVRS		05-0 #1.0	7L8Z 9H307 B	\$462.65
		07 #1.0	7L8Z 9H307 B	\$462.65
13 Sender, Fuel¶		05-0 #1.0	5L8Z 9A299 B	\$232.58
		07 #1.0	7L8Z 9A299 A	\$235.44

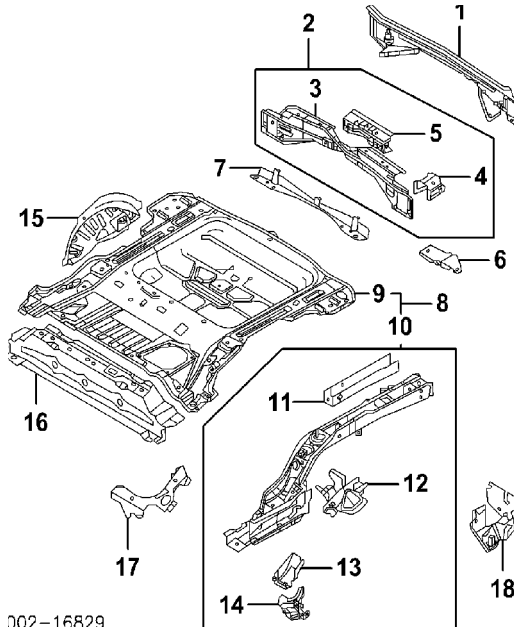
¶Included w/Fuel Pump Assy

#Included in R&R Fuel Tank

## REAR BODY

Procedures 26 and 28

### SHEET METAL



002-16829

Refinish Rear Body Panel

2.0

Add for Edge & Inside

1.0

Refinish Rear Floor Pan

2.0

Add for Underside

.8

Refinish Rear Sidemember Assy

R

1.2

L

1.2

1 Panel, Rear Body

01-0

#6.0

YL8Z 7810928 AA

\$67.75

05-0 #6.0

5L8Z 7810928 AA

\$100.08

#Deduct 1.6 w/Each Quarter Panel Removed, Deduction Includes Common Surfaces & Included Operations

Striker, Lower-See Liftgate Section

2 Crossmember Assy, Rear

2001-04-Service by Components

2005-07

#6.0

5L8Z 78107A52 AA \$259.93

3 Crossmember, Bumper

2001-04

#6.0

YL8Z 7810786 AA \$234.75

2005-07-Service w/Rear Crossmember Assy

2001 Ford Escape XLT Utility

#w/Rear Body Panel Removed, Included in R&R Rear Floor Pan

4 Bracket, Bumper Mtg¶	R	#1.0	YL8Z 17787 AA	\$15.97
	L	#1.0	YL8Z 17788 AA	\$15.97
5 Xmbr, Rear Floor¶	01-0	#.8	YL8Z 7810608 AA	\$65.32
	05-0	#.8	5L8Z 7810608 AA	\$51.82

¶Included w/Rear Crossmember Assy

#w/Rear Body Panel Removed

6 Extension, Rear Body	R	#1.0	YL8Z 78110A26 AA	\$35.75
	L	#1.0	YL8Z 78110A27 AA	\$35.83

#Deduct .4 w/Rear Body Panel Removed

7 Support, Rear	01-0	3.0	YL8Z 7811L52 AA	\$57.83
8 Pan Assy, Rear Floor				
2001-04			YL8Z 7811215 AA	\$2,788.83
2005-07-Serviced by Components				

9 Pan, Rear Floor (a)

    2001-04-Serviced w/Rear Floor Pan Assy

2005-07		#15.5	AL8Z 7811215 A	\$1,775.23
---------	--	-------	----------------	------------

#w/Rear Body Panel Removed, Includes R&R Rear Crossmember

10 Sidemember Assy, Rear (a)

2001-04	R	#13.0	3L8Z 7810124 BA	\$648.80
	L	#13.0	3L8Z 7810125 BA	\$526.42
2005-07	R	#13.0	5L8Z 7810124 BA	\$610.80
	L	#13.0	5L8Z 7810125 B	\$559.05

#Deduct 3.5 w/Rear Floor Pan Removed

11 Reinf, Sidemember (a) (b)	01-0 R		YL8Z 5B044 AA	\$40.40
	L		YL8Z 5B045 AA	\$40.90
	05-0 R		YL8Z 5B044 AA	\$40.40
	L		5L8Z 5B045 AA	\$36.52
12 Reinf, Outer (a) (b)	01-0 R	3.5	YL8Z 3C154 AA	\$130.15
	L	3.5	YL8Z 3C155 AA	\$131.98
	05-0 R	3.5	3L8Z 3C154 AA	\$137.48
	L	3.5	3L8Z 3C155 AA	\$144.82
13 Reinf, Lower (a) (b)	R	2.0	YL8Z 5044 AA	\$37.90

2001 Ford Escape XLT Utility

	L	2.0	YL8Z 5045 AA	\$37.90
14 Brkt, Sidemember (a) (b)	R	2.0	YL8Z 5596 AA	\$104.48
	L	2.0	YL8Z 5596 AB	\$108.15

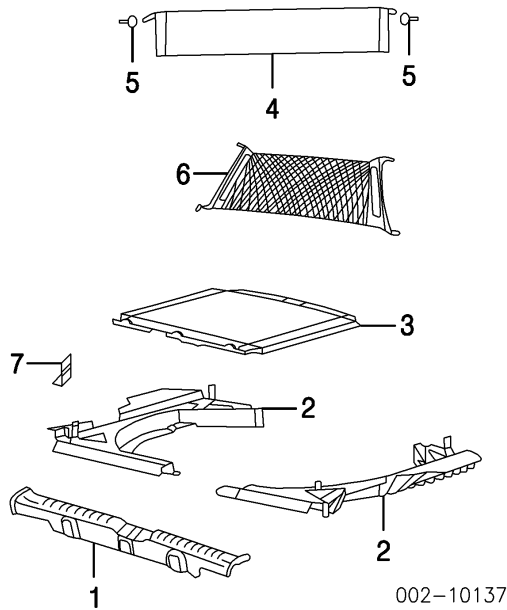
(a) Included w/Rear Floor Pan Assy

(b) Included w/Rear Sidemember Assy

15 Panel, Wheelhouse-See Quarter Panel Section

16 Xmbr, Rear Seat		4.5	8L8Z 7811644 A	\$116.23
17 Brkt, Rear Seat Mtg	R		YL8Z 78638A88 AA	\$17.28
	L		YL8Z 78638A88 BA	\$17.28
18 Extension, Sidemember			5L8Z 7811250 A	\$58.52

INTERIOR TRIM



1 Plate, Scuff				
2001-02				
Black		.2	2L8Z 7842624 AAA	\$72.98
Graphite		.2	YL8Z 7842624 AAB	\$47.63
Parchment		.2	YL8Z 7842624 AAA	\$50.73
	2003			
Black		.2	2L8Z 7842624 AAA	\$72.98
Flint				
To 12-1-02		.2	2L8Z 7842624 AAB	\$72.98
From 12-2-02		.2	2L8Z 7842624 AAD	\$42.55
Pebble		.2	2L8Z 7842624 AAC	\$58.07

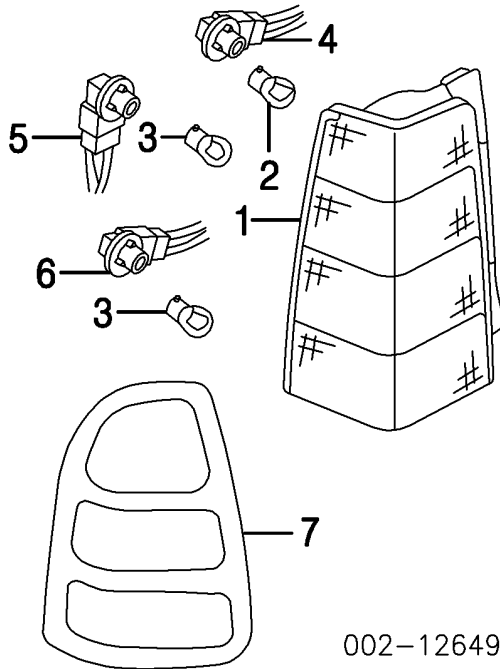
2001 Ford Escape XLT Utility

2004

Black		.2	2L8Z 7842624 AAA	\$72.98
Flint		.2	2L8Z 7842624 AAD	\$42.55
Pebble		.2	2L8Z 7842624 AAC	\$58.07
2005-07				
Black		.2	5L8Z 7842624 AAA	\$183.63
Flint		.2	5L8Z 7842624 AAB	\$183.57
Pebble		.2	5L8Z 7842624 AAC	\$183.63
2 Cover, Spare Wheel	R		YL8Z 7847200 AA	\$89.30
	L		YL8Z 7847201 AA	\$89.30
3 Carpet, Rear Floor				
2001-04				
Compact Spare			YL8Z 7845026 AA	\$211.20
Full Size Spare			YL8Z 7845026 BA	\$269.00
2005-07 (a)			5L8Z 7845026 BA	\$169.12
(a) Order by Application				
4 Net, Rear Cargo-See Quarter Panel Section				
5 Hook, Cargo Net-See Quarter Panel Section				
6 Net, Floor Cargo			YL8Z 7855066 AA	\$43.26
7 Hook, Floor Net†	R		YL8Z 7846002 AB	\$16.32
	L		YL8Z 7846002 AB	\$16.32
†As Required				

## REAR LAMPS

### COMBINATION LAMP



002-12649

<b>Refinish Lamp Guard</b>	R	.4		
	L	.4		
<b>R&amp;I Combination Lamp Assy</b>	R	.2		
	L	.2		
<b>R&amp;R Lamp Guard</b>	R	.2		
	L	.2		
1 Lamp, Combination	R	#.2	6L8Z 13404 DA	\$112.90
	L	#.2	6L8Z 13405 DA	\$112.90
2 Bulb, Stop/Tail	R	#.2	F4CZ 13466 A	\$2.33
	L	#.2	F4CZ 13466 A	\$2.33
3 Bulb, Back-Up/Signal (2/Side)	R	#.2	F5DZ 13466 B	\$4.10
	L	#.2	F5DZ 13466 B	\$4.10
#R&R One Side Complete				
4 Socket, Stop/Tail Bulb 2001-03	R		F1TZ 13411 A	\$14.38
	L		F1TZ 13411 A	\$14.38
				2004
To 10-15-03	R		F1TZ 13411 A	\$14.38
	L		F1TZ 13411 A	\$14.38
From 10-16-03	R		2U5Z 13411 DA	\$10.80
	L		2U5Z 13411 DA	\$10.80

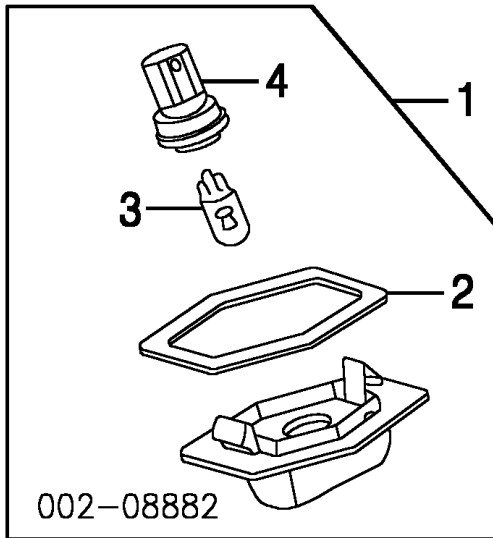
2001 Ford Escape XLT Utility

2005-07		R	2U5Z 13411 DA	\$10.80
		L	2U5Z 13411 DA	\$10.80
5 Socket, Back-Up Bulb				
2001-03		R	F1TZ 13411 B	\$12.98
		L	F1TZ 13411 B	\$12.98
	2004			
To 10-15-03		R	F1TZ 13411 B	\$12.98
		L	F1TZ 13411 B	\$12.98
From 10-16-03		R	2U5Z 13411 AA	\$24.00
		L	2U5Z 13411 AA	\$24.00
2005-07		R	2U5Z 13411 AA	\$24.00
		L	2U5Z 13411 AA	\$24.00
6 Socket, Signal Bulb				
2001-03		R	XF2Z 13411 AA	\$10.80
		L	XF2Z 13411 AA	\$10.80
	2004			
To 10-15-03		R	XF2Z 13411 AA	\$10.80
		L	XF2Z 13411 AA	\$10.80
From 10-16-03		R	2U5Z 13411 HA	\$10.33
		L	2U5Z 13411 HA	\$10.33
2005-07		R	2U5Z 13411 HA	\$10.33
		L	2U5Z 13411 HA	\$10.33
Harness, Rear Lamp (a)			2L8Z 14405 SA	\$397.03
(a) Order by Application				
7 Guard Set, Rear Lamp				
Dealer Installed				
Chrome			2L8Z 13B564 BA	\$136.00
Black			2L8Z 13B564 AAB	\$119.00
Paint to Match			2L8Z 13B564 AAA	\$65.46

LICENSE LAMP



2001 Ford Escape XLT Utility



R&I License Lamp Assy

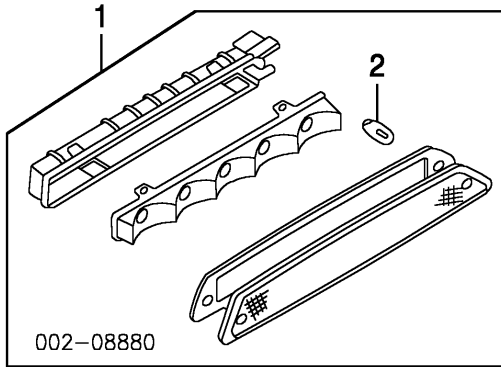
	R	#.2		
	L	#.2		
#Included in R&R Gate Shell				
1	Lamp Assy, License	R	#.2	YL8Z 13550 AA \$19.07
		L	#.2	YL8Z 13550 AA \$19.07
#Included in R&R Gate Shell				
2	Seal, License Lamp¶	R	#.2	YL8Z 13568 AA \$9.70
		L	#.2	YL8Z 13568 AA \$9.70
3	Bulb, License Lamp¶	R	#.2	E5RY 13466 B \$2.50
		L	#.2	E5RY 13466 B \$2.50
4	Socket, Bulb¶	R	#.2	YL8Z 13411 CA \$22.08
		L	#.2	YL8Z 13411 CA \$22.08

¶Included w/License Lamp Assy

#R&R One Side Complete, Included in R&I/R&R License Lamp Assy

HIGH MOUNT STOP LAMP

2001 Ford Escape XLT Utility



**R&I Stop Lamp Assy**

#Included in R&R Gate Shell

1 Lamp Assy, Stop

#Included in R&R Gate Shell

2 Bulb, Stop Lamp (a)¶

¶Included w/Stop Lamp Assy

(a) As Required

#Included in R&I/R&R Stop Lamp Assy

#.2

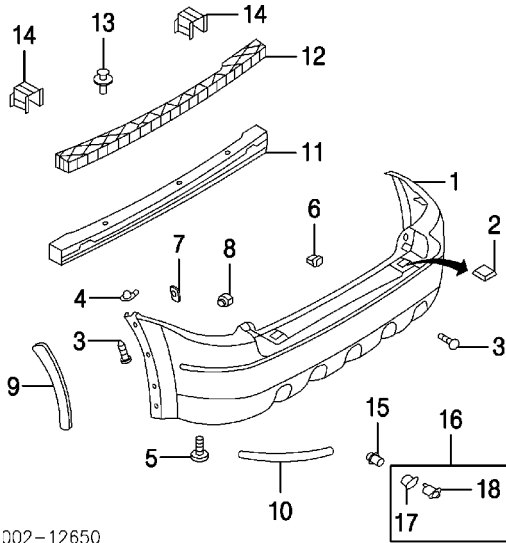
#.2 5L8Z 13A613 AA \$40.47

#.2 E5RY 13466 B \$2.50

## REAR BUMPER

Procedures 27 and 28

2001-04



002-12650

Refinish Rear Cover		2.8
Refinish Lower Wheel Opening Moulding	R	.4
	L	.4
Refinish Impact Absorber		.5
R&I Cover Assy		.6
O/H Bumper Assy (Includes R&I)	#1.2	
Add to R&R or O/H Rear Cover		
w/Park Distance Sensors		.3
w/Wheel Opening Mldgs		.2
w/Towing Pkg		.2
To Drill Holes for Installation		
w/Park Distance Sensors		.4
w/Wheel Opening Mldgs		.4
w/Towing Pkg		.4

NOTE: All Parts in this section are included in overhaul unless noted otherwise.

1 Cover, Rear

2001

XLS Model  
Platinum

1.2 YL8Z 17K835 EAB \$247.00

2001 Ford Escape XLT Utility

Titanium	1.2	YL8Z 17K835 EAA	\$268.39
XLT Model			
Platinum	1.2	YL8Z 17K835 EAB	\$247.00
Titanium	1.2	YL8Z 17K835 EAA	\$268.39

2002

w/No Boundaries Pkg			
Platinum	1.2	YL8Z 17K835 EAB	\$247.00
Titanium	1.2	YL8Z 17K835 EAA	\$268.39
w/o No Boundaries Pkg			
XLS Model			
Platinum	1.2	YL8Z 17K835 EAB	\$247.00
Titanium	1.2	YL8Z 17K835 EAA	\$268.39
XLT Model			
w/Appearance Pkg (P)	1.2	2L8Z 17K835 FAPTM	\$591.72
w/o Appearance Pkg			
Platinum	1.2	YL8Z 17K835 EAB	\$247.00
Titanium	1.2	YL8Z 17K835 EAA	\$268.39

2003-04

w/No Boundaries Pkg	1.2	YL8Z 17K835 EAB	\$247.00
w/o No Boundaries Pkg			
XLS Model	1.2	YL8Z 17K835 EAB	\$247.00
XLT Model			
w/Appearance Pkg (P)	1.2	2L8Z 17K835 FAPTM	\$591.72
w/o Appearance Pkg			
Platinum	1.2	YL8Z 17K835 EAB	\$247.00
Titanium	1.2	YL8Z 17K835 EAA	\$268.39
Limited Model (P)			
w/Rear Object Sensors			
w/Towing Pkg	1.2	2L8Z 17K835 FAPTM	\$591.72
w/o Towing Pkg	1.2	2L8Z 17K835 FAPTM	\$591.72
w/o Rear Object Sensors	1.2	2L8Z 17K835 FAPTM	\$591.72

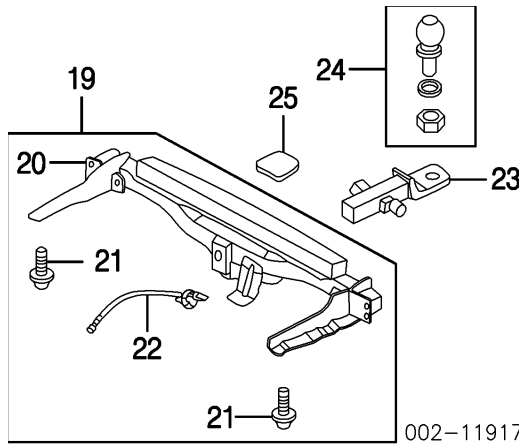
(P) Paint to Match

2 Bezel, Cover			
w/No Boundaries Pkg	R	YL8Z 17F022 AA	\$11.57
	L	YL8Z 17F022 AA	\$11.57
3 Screw, Upper Cover (6)		* W706607 S901	\$1.50
4 Grommet, End	R	* W707606 S300	\$2.25
	L	* W707606 S300	\$2.25
5 Screw, Lower Cover	R	* W503913 S436	\$2.00
	L	* W503913 S436	\$2.00
¶As Required			
6 Grommet, Upper (4)		* W707455 S300	\$3.00

2001 Ford Escape XLT Utility

7	Clip, Cover (2/Side)	R		* W705971 S300	\$2.25
		L		* W705971 S300	\$2.25
8	Rivet, Cover	R		* W705849 S300	\$3.13
		L		* W705849 S300	\$3.13
9	Mldg, Lwr Wheel Opng				
	XLT Model				
	w/Appearance Pkg (P)	02-0	R	.2 2L8Z 7829164	\$131.82
			L	.2 2L8Z 7829165	\$130.83
	w/o Appearance Pkg				
	Platinum		R	.2 YL8Z 7829164 CAB	\$27.80
			L	.2 YL8Z 7829165 CAB	\$27.80
	Titanium	01-0	R	.2 YL8Z 7829164 CAA	\$30.45
			L	.2 YL8Z 7829165 CAA	\$30.45
	Limited Model (P)	03-0	R	.2 2L8Z 7829164	\$131.82
			L	.2 2L8Z 7829165	\$130.83
	(P) Paint to Match				
10	Guard Kit, Bumper			1L8Z 18419 AA	\$45.34
11	Reinf, Bumper				
	w/No Boundaries Pkg-Serviced w/Tow Hitch				
	w/o No Boundaries Pkg		#.3	YL8Z 17906 DA	\$76.08
	#w/Rear Cover Removed, Not Included in O/H				
12	Absorber, Impact		IOH	YL8Z 17C829 BA	\$40.15
13	Rivet, Absorber (a)			* W706713 S300	\$2.00
	(a) As Required				
14	Bracket, Bumper Mtg (b)-See Rear Body Section				
	(b) Included w/Rear Body Reinf Assy				
15	Sensor, Park Distance (4)		#.1	3F2Z 15K859 BA	\$118.32
16	Sensor Kit, Rear Object	R	#.1	3L8Z 15K861 AAB	\$25.40
		L	#.1	3L8Z 15K861 BAB	\$25.40
	#w/Cover Assy Removed				
17	Bracket, Sensor (c)				
	Inner	R		3L8Z 15K861 AAB	\$25.40
		L		3L8Z 15K861 BAB	\$25.40
	Outer	R		3L8Z 15K861 BAA	\$10.42
		L		3L8Z 15K861 DAA	\$10.42
18	Retainer, Inner (c)	R		3L8Z 15K861 AAB	\$25.40
		L		3L8Z 15K861 BAB	\$25.40
	(c) Included w/Rear Object Sensor Kit				

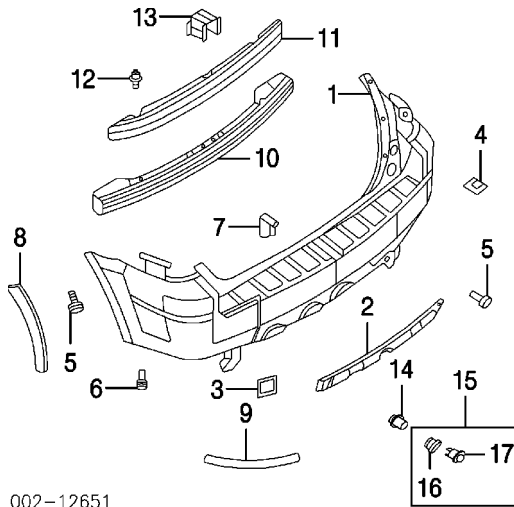
2001 Ford Escape XLT Utility



19 Hitch Kit, Trailer			
Dealer Installed			
w/Oil Cooler Kit	#.5	1L8Z 19D520 CA	\$526.03
w/o Oil Cooler Kit	#.5	2L8Z 19D520 AA	\$203.47
20 Hitch, Tow (d)			
Dealer Installed-Serviced w/Trailer Hitch Kit			
Factory Installed	#.5	3L8Z 17D826 BA	\$493.57
#w/Rear Cover Removed, Not Included in O/H			
21 Bolt, Mounting (2/Side) (d)			
Dealer Installed-Serviced w/Trailer Hitch Kit			
Factory Installed			
	R	* W702256 S438	\$3.75
	L	* W702256 S438	\$3.75
22 Harness Kit, Towing (d)			
Dealer Installed		N.A.	
(d) Included w/Trailer Hitch Kit			
23 Receiver, Hitch	.2	1L2Z 19A282 AA	\$32.00
24 Ball, Hitch			
1-7/8"	.2	F5TZ 19F503 A	\$13.24
2"	.2	F5TZ 19F503 B	\$17.66
25 Cap, Hitch			
"NO BOUNDARIES"		1L2Z 17F000 AB	\$9.47

2005-07

2001 Ford Escape XLT Utility



002-12651

Refinish Rear Cover		2.8
Refinish Lower Wheel Opening Moulding	R	.4
	L	.4
Refinish Impact Absorber		.5
R&I Cover Assy		.6
O/H Bumper Assy (Includes R&I)		1.4
Add to R&R or O/H Rear Cover		
w/Park Distance Sensors		.3
w/Wheel Opening Mldgs		.2
w/Towing Pkg		.2
To Drill Holes for Installation		
w/Park Distance Sensors		.4
w/Wheel Opening Mldgs		.4
w/Towing Pkg		.4

NOTE: All Parts in this section are included in overhaul unless noted otherwise.

1 Cover, Rear

2005-06

w/No Boundaries Pkg (P)	1.4	5L8Z 17K835 BAA	\$403.27
w/o No Boundaries Pkg			
XLS Model	1.4	5L8Z 17K835 AAA	\$382.47
XLT, XLT Sport Model			
w/Appearance Pkg (P)	1.4	5L8Z 17K835 DAA	\$439.15
w/o Appearance Pkg	1.4	5L8Z 17K835 AAA	\$382.47

2001 Ford Escape XLT Utility

Limited Model (P)		1.4	5L8Z 17K835 DAA	\$439.15
	2007			
Platinum		1.4	5L8Z 17K835 AAA	\$382.47
Paint to Match		1.4	5L8Z 17K835 DAA	\$439.15
(P) Paint to Match				
2 Plate, Rear Skid				
w/No Boundaries Pkg		.2	5L8Z 5B018 AAB	\$98.27
3 Reflector	R	.1	5L8Z 17808 AA	\$27.00
	L	.1	5L8Z 17808 BA	\$27.00
4 Bezel, Cover				
w/No Boundaries Pkg	R		5L8Z 17F022 AAA	\$16.67
	L		5L8Z 17F023 AAA	\$16.67
5 Screw, Upper Cover (6)			* W706607 S901	\$1.50
6 Screw, Lower Cover (a)			* W503913 S436	\$2.00
(a) As Required				
7 Bracket, Cover	R		5L8Z 17D942 AB	\$53.22
	L		5L8Z 17D942 AB	\$53.22
8 Mldg, Lwr Wheel Opng				
2005-06				
XLT, XLT Sport Model				
w/Appearance Pkg (P)	R	.2	2L8Z 7829164	\$131.82
	L	.2	2L8Z 7829165	\$130.83
w/o Appearance Pkg	R	.2	YL8Z 7829164 CAB	\$27.80
	L	.2	YL8Z 7829165 CAB	\$27.80
Limited Model (P)	R	.2	2L8Z 7829164	\$131.82
	L	.2	2L8Z 7829165	\$130.83
	2007			
Smooth Finish (P)	R	.2	2L8Z 7829164	\$131.82
	L	.2	2L8Z 7829165	\$130.83
Textured Finish	R	.2	YL8Z 7829164 CAB	\$27.80
	L	.2	YL8Z 7829165 CAB	\$27.80
(P) Paint to Match				
9 Guard Kit, Bumper			1L8Z 18419 AA	\$45.34
10 Reinf, Bumper				
w/No Boundaries Pkg-Serviced w/Tow Hitch				
w/o No Boundaries Pkg		#.3	5L8Z 17D942 AA	\$87.73
#w/Rear Cover Removed, Not Included in O/H				
11 Absorber, Impact	IOH		5L8Z 17906 AA	\$41.40
12 Rivet, Absorber (a)			* W706713 S300	\$2.00
(a) As Required				
13 Bracket, Bumper Mtg-See Rear Body Section¶				

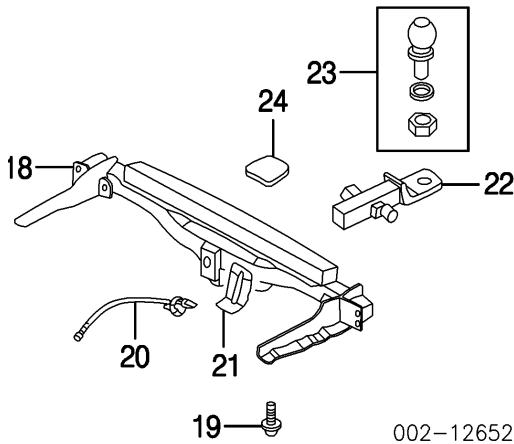


2001 Ford Escape XLT Utility

¶Included w/Rear Body Reinf Assy

14	Sensor, Park Distance (4)		#.1	3F2Z 15K859 BA	\$118.32
15	Sensor Kit, Rear Object	R	#.1	3L8Z 15K861 AAB	\$25.40
		L	#.1	3L8Z 15K861 BAB	\$25.40
#w/Rear Cover Removed					
16	Bracket, Sensor (b)				
	Inner	R		5L8Z 15K861 CAA	\$19.42
		L		5L8Z 15K861 BAA	\$19.42
	Outer	R		5L8Z 15K861 DAA	\$19.42
		L		5L8Z 15K861 AAA	\$19.42
17	Retainer, Inner (b)	R		3L8Z 15K861 AAB	\$25.40
		L		3L8Z 15K861 BAB	\$25.40

(b) Included w/Rear Object Sensor Kit



18	Hitch, Tow				
	2005-06				
	w/No Boundaries Pkg		#.5	3L8Z 17D826 BA	\$493.57
	w/o No Boundaries Pkg		#.5	6L8Z 17D826 AA	\$315.73
		2007	#.5	6L8Z 17D826 AA	\$315.73

#w/Rear Cover Removed, Not Included in O/H

19	Bolt, Mounting (2/Side)	R		* W702256 S438	\$3.75
		L		* W702256 S438	\$3.75
20	Harness Kit, Towing			N.A.	
21	Bracket, Harness			5L8Z 17795 AA	\$7.87
22	Receiver, Hitch		.2	1L2Z 19A282 AA	\$32.00
23	Ball, Hitch				
	1-7/8"		.2	F5TZ 19F503 A	\$13.24
	2"	05-0	.2	F5TZ 19F503 B	\$17.66
24	Cap, Hitch				

2001 Ford Escape XLT Utility

"NO BOUNDARIES"

05-0

.2 1L2Z 17F000 AB

\$9.47